



**THE DATASHEET OF  
ZLNB2010Q16TC**



---

## DUAL TONE AND POLARITY SWITCH LNB MULTIPLEX CONTROLLER

---

### DEVICE DESCRIPTION

The ZLNB2006/09/10 group of dual polarisation and tone switch controller are part of a wide range of satellite receiver LNB support circuits available from Zetex. Each part features two completely independent channels, each providing logic outputs to control LNB polarisation selection, local oscillator selection and the ZLNB2009/10 also provides downfeed disable. They are intended for use in Twin Universal and Quad LNBs, replacing many discrete components to save both manufacturing cost and PCB size whilst improving reliability.

The two polarisation control inputs of the ZLNB2006/09/10 have a nominal threshold of 14.75V. The threshold is temperature compensated to minimise drift. Each features a low and stable input current that enables transient protection to be achieved with the addition of only a single resistor per channel.

Multi Feed LNBs can be called to operate with one or more of their controlling receivers powered down/disconnected, with attendant cable mismatch problems. To ease design for this situation, each polarisation input of the ZLNB2009/10 has a second threshold set at 9.5V. An input voltage below this threshold indicates "receiver not present", switching the relevant control channels high. This logic output can be used to disable the associated downfeed driver, eliminating any problems due to cable mismatch.

### FEATURES

- Dual polarisation switch
- Temperature compensated polarisation switch threshold
- Transient resistant inputs
- Includes Receiver-Off detector (ZLNB2009/10)
- Dual tone switch
- User adjustable filter centre frequency and bandwidth
- User adjustable tone switching delays
- Tone and Pol outputs are TTL, CMOS, Pin diode and IF amp capable

Universal LNB local oscillator selection is achieved by detection of a low level AC voltage superimposed on the polarisation control voltage. To facilitate this function, the ZLNB2006/09/10 includes a separate tone detector for each channel. Full control of detector bandwidth and sensitivity is provided using two external resistors and capacitors. In the ZLNB2006/9, additional control of tone switch delays is provided to assist with the rejection of low frequency control signals intended for other systems.

Polarisation switch and tone detector outputs can source and sink 10mA making them suitable to drive TTL and CMOS logic, pin diodes and IF-amp supply switching.

The ZLNB2006/09/10 operates from a single supply which can be anything from 5-10V. Their quiescent current is typically only 6mA and this does not change significantly with load or logic state. They are available in the space saving QSOP16 or QSOP20 surface mount package.

- Wide supply operating range
- Low quiescent current
- Few external components
- Eliminates many discrete components

### APPLICATIONS

- Twin Universal LNB
- Multi Feed Universal Lnb's
- Twin Universal IF switch boxes
- LNB switch boxes

# ZLNB2006 ZLNB2009 ZLNB2010

## ABSOLUTE MAXIMUM RATINGS

Supply Voltage	-0.6V to 12V	<b>Power Dissipation (<math>T_{amb} = 25^{\circ}C</math>)</b>	
Supply Current	100mA	QSOP16	500mW
V <sub>POL1</sub> and V <sub>POL2</sub>		QSOP20	500mW
Input Voltage	25V Continuous		
Operating Temperature	-40 to 85°C		
Storage Temperature	-40 to 125°C		

## ELECTRICAL CHARACTERISTICS TEST CONDITIONS (Unless otherwise stated):

$T_{amb} = 25^{\circ}C, V_{CC} = 5V$

SYMBOL	PARAMETER	CONDITIONS	LIMITS			UNITS
			Min	Typ	Max	
V <sub>CC</sub>	Supply Voltage		5		10	V
I <sub>CC</sub>	Supply Current	I <sub>HV<sub>OUT1,2</sub></sub> =I <sub>T<sub>OUT1,2</sub></sub> =0 I <sub>T<sub>OUT1,2</sub></sub> =0, I <sub>HV<sub>OUT1,2</sub></sub> =10mA, V <sub>POL</sub> =15.5V		5.5 26	12 32	mA mA
I <sub>POL</sub>	V <sub>POL1</sub> and V <sub>POL2</sub> Inputs Current	V <sub>POL1</sub> = V <sub>POL2</sub> = 25V (Note 2)	10	25	40	μA
V <sub>TPOL</sub>	Threshold Voltage	T <sub>amb</sub> = -40°C to 70°C (Note 2)	14.0	14.75	15.5	V
V <sub>TEN</sub>	Enable Threshold Voltage (ZLNB2009/10 only)	T <sub>amb</sub> = -40°C to 70°C (Note 2)	8.0	9.5	10.0	V
T <sub>SPOL</sub>	Switching Speed				100	μS
I <sub>B</sub>	Filter Amplifier Input Bias Current	RF1=150k	0.02	0.07	0.25	μA
V <sub>OUT</sub>	V <sub>OUT</sub> (Note 1) (ZLNB2006 only)	RF1=150k	1.75	1.95	2.15	V
V <sub>OUT</sub>	V <sub>OUT</sub> (Note 1) (ZLNB2009/10 only)	RF1=150k		2.215		V
I <sub>OUT</sub>	I <sub>OUT</sub> (Note 1) (ZLNB2006 only)	V <sub>OUT</sub> = 2.20V, V <sub>FIN</sub> = 2.42V	440	587	733	μA
I <sub>OUT</sub>	I <sub>OUT</sub> (Note 1) (ZLNB2009/10 only)	V <sub>OUT</sub> = 2.20V, V <sub>FIN</sub> = 2.50V	470	587	782	μA
G <sub>V</sub>	Voltage Gain	F=22kHz, V <sub>in</sub> =1mV	0	46		dB

Note:-

1) The parameters Filter Amplifier V<sub>OUT</sub>, I<sub>OUT</sub>, Rectifier V<sub>OUT</sub> and Comparator Threshold Voltage are all directly (linearly) related to V<sub>CC</sub>.

2) Applied via 10k resistors

# ZLNB2006 ZLNB2009    ZLNB2010

## ELECTRICAL CHARACTERISTICS TEST CONDITIONS (Unless otherwise stated):

$T_{amb} = 25^{\circ}\text{C}, V_{CC} = 5\text{V}$

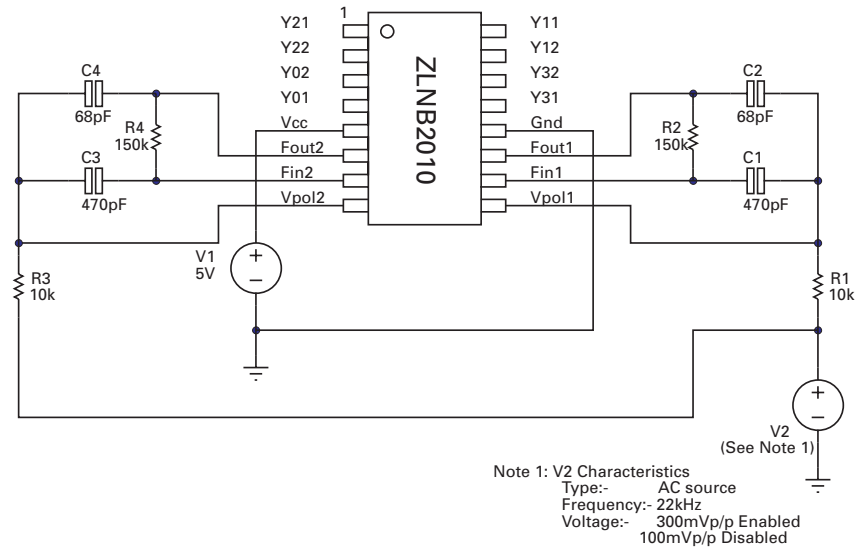
SYMBOL	PARAMETER	CONDITIONS	LIMITS			UNITS
			Min	Typ	Max	
V <sub>REC</sub>	Rectifier (ZLNB2006 and ZLNB2009 ONLY)					
	V <sub>OUT</sub> (Note 1) I <sub>Leakage</sub>	RF1=150k, IL=10μA RF1=150k, V <sub>OUT</sub> =3V (Note 1)	2.2	2.45 20	2.69 200	V nA
V <sub>TH DC</sub> V <sub>TH</sub>	Comparator (ZLNB2009 and ZLNB2010 ONLY)					
	Threshold DC (Note 1) Threshold AC	F=0 Test Circuit 1 (ZLNB2010) Test Circuit 2 (ZLNB2009)	100	2.980 150	300	V mV
V <sub>THDC</sub> V <sub>TH AC</sub>	Comparator (ZLNB2006 ONLY)					
	Threshold DC (Note 1) Threshold AC	F=0 Test Circuit 2	3.00 100	3.34 150	3.67 300	V mV
Y <sub>VH</sub> Y <sub>VH</sub> Y <sub>VL</sub>	Y Outputs Voltage High Voltage High Voltage Low	I <sub>TOUT 1,2</sub> = -10μA I <sub>TOUT 1,2</sub> = -5μA I <sub>TOUT 1,2</sub> = -5mA	V <sub>CC</sub> -0.3 V <sub>CC</sub> -1.2 0	V <sub>CC</sub> -0.17 V <sub>CC</sub> -0.95 0.29	V <sub>CC</sub> V <sub>CC</sub> 0.5	V V V

Note:-

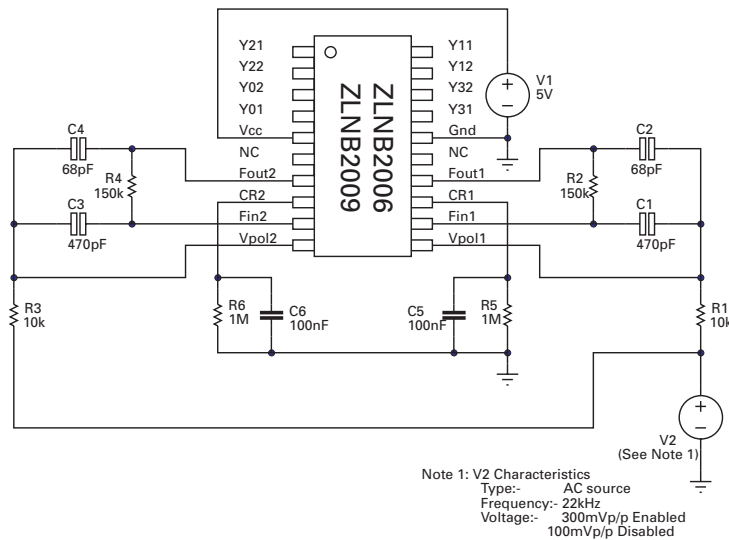
- 1) The parameters Filter Amplifier V<sub>OUT</sub>, I<sub>OUT</sub>, Rectifier V<sub>OUT</sub> and Comparator Threshold Voltage are all directly (linearly) related to V<sub>CC</sub>.
- 2) Applied via 10k resistors

# ZLNB2006 ZLNB2009 ZLNB2010

## TEST CIRCUIT 1

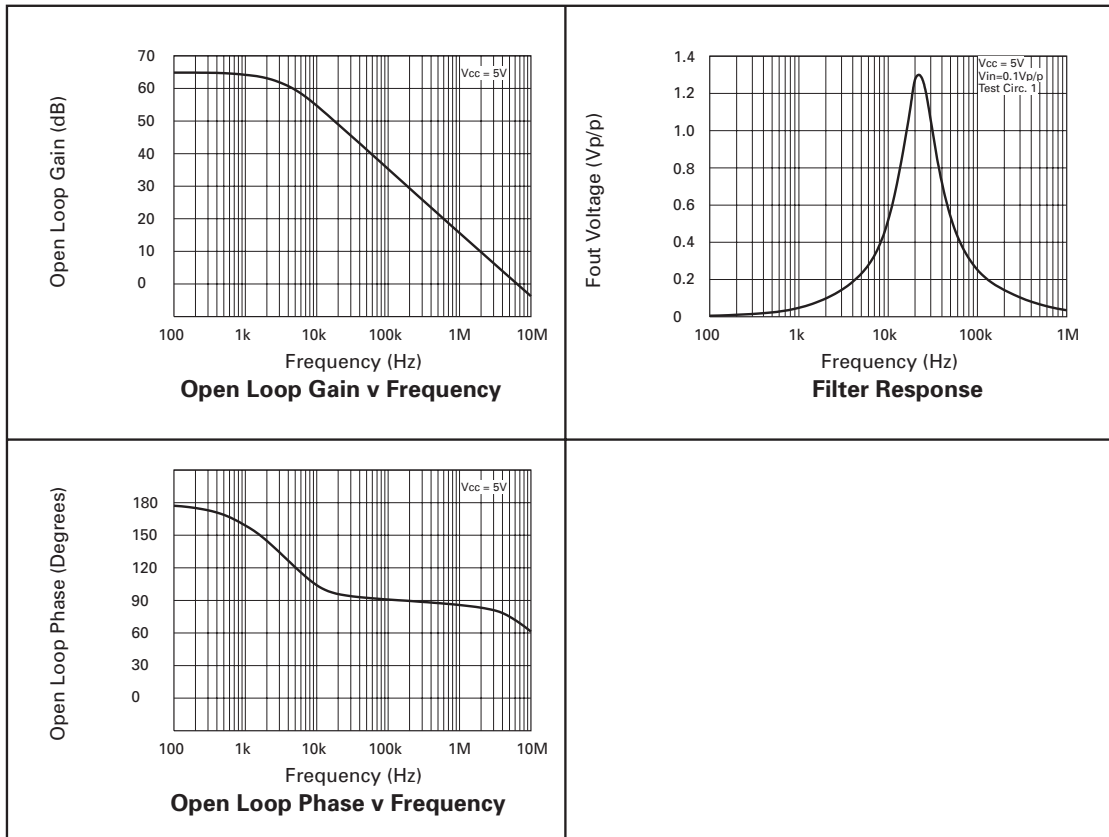


## TEST CIRCUIT 2



**ZLNB2006  
ZLNB2009 ZLNB2010**

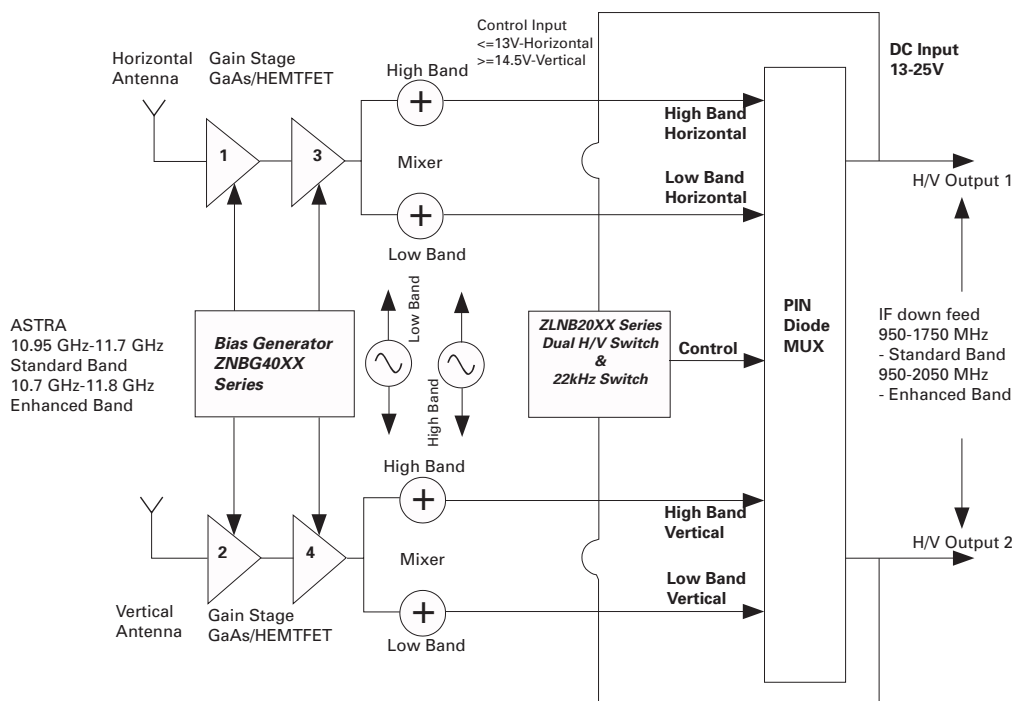
**TYPICAL CHARACTERISTICS**



# ZLNB2006 ZLNB2009 ZLNB2010

The following diagram shows a typical block diagram for a twin universal LNB design. The ZLNB2006/09/10 group of devices provides the two polarity and two tone switches required to decode the two independent receiver feeds. The ZLNB2009/10 devices are also able to detect the absence of receiver connection to either port of the LNB providing all outputs to go high hence disabling of the port. This allows the avoidance of unwanted signal reflections from an unterminated down feed cable.

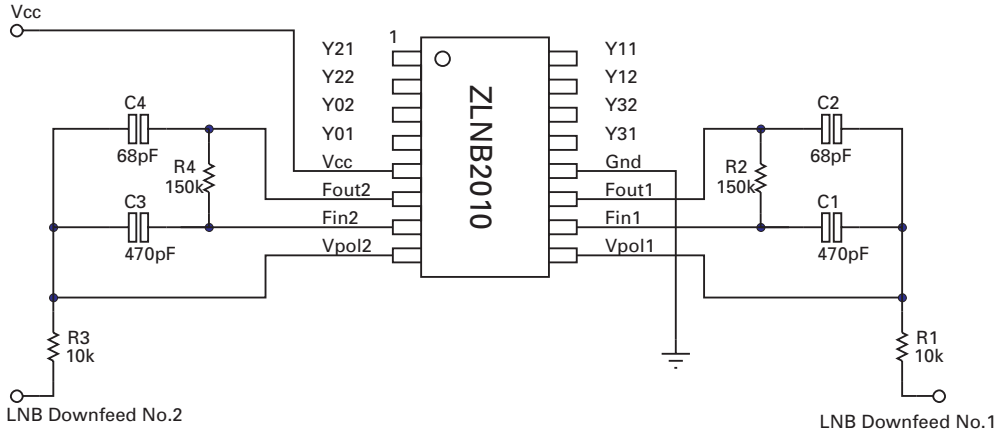
Additionally the front end bias requirements of the LNB are provided by ZNBG4000 or ZNBG6000 offering a very efficient and cost effective solution



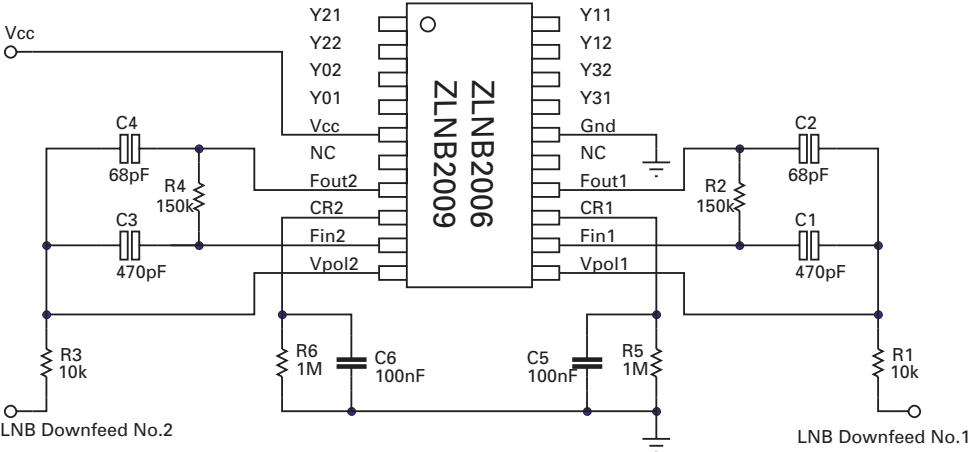
# ZLNB2006 ZLNB2009 ZLNB2010

## APPLICATION CIRCUIT EXAMPLES

The following circuit shows the additional components that will be used for polarisation mode and 22kHz tone detection in typical ZLNB2010 application



The following circuit shows the additional components that will be used for polarisation mode and 22kHz tone detection in typical ZLNB2006/9 application



# ZLNB2006 ZLNB2009 ZLNB2010

## FURTHER INFORMATION

1) Inputs  $V_{POL1}$  and  $V_{POL2}$  are designed to be wired to the power inputs of an LNB via high value (10k) resistors. Input  $V_{POL1}$  controls a combination of the  $Y_{n1}$  outputs. Input  $V_{POL2}$  controls a combination of the  $Y_{n2}$  outputs. With either input voltage set at or below 14V, one of the corresponding  $Y_{0n}$  or  $Y_{2n}$  outputs becomes active dependent upon the presence of a tone. With either input voltage set at or above 15.5V, one of the corresponding  $Y_{1n}$  or  $Y_{3n}$  outputs becomes active dependent upon the presence of a tone. Should the voltage applied to either  $V_{POL}$  input fall below 9.5V, all outputs on the corresponding output will go high, otherwise these outputs are as normal. Any input or output not required may be left open-circuit.

2) The ZLNB2010 includes the circuitry necessary to detect the presence of 22kHz tones modulated on either of two supply inputs to the LNB. The main elements of the detectors in each channel are an op-amp enabling the construction of a Sallen Key filter, a rectifier/smoothen and a comparator. Full user control is given over the centre frequency and bandwidth of the filter using two external resistors and capacitors (one of these resistors shares the function of overvoltage protection of the corresponding  $V_{POL}$  pin, i.e. the 10k referenced in note 1). The comparator circuit utilises no external components. The presence of a 22kHz tone applied to pin  $Fin1$  or  $Fin2$  switches the corresponding output  $Y_{n1}$  or  $Y_{n2}$  high.

3) The ZLNB2006/9 includes the circuitry necessary to detect the presence of 22kHz tones modulated on either of two supply inputs to the LNB. The main elements of the detectors in each channel are an op-amp enabling the construction of a Sallen Key filter, a rectifier/smoothen and a comparator. Full user control is given over the centre frequency and bandwidth of the filter using two external resistors and capacitors (one of these resistors shares the function of overvoltage protection of the corresponding  $V_{POL}$  pin, i.e. the 10k referenced in note 1). The comparator circuit utilises no external components. The presence of a 22kHz tone applied to pin  $Fin1$  or  $Fin2$  switches the corresponding output  $Y_{n1}$  or  $Y_{n2}$  high. Pins  $Crec1$  and  $Crec2$  on the ZLNB2006/9 make accessible the outputs of the tone switch rectifiers and provides a means of controlling tone switch delays. Significant switching delays may be necessary to avoid incorrect operation in the presence of unwanted interference (e.g. switching tones intended for other signalling systems). For correct operation of the IC, a capacitor and a parallel connected resistor should be connected between each  $Crec$  pin and ground. The  $Y_{out}$  low to high delays are set solely by the added capacitors at approximately 22ms/uF. The high to low delays are set by the time constant of each resistor capacitor combination at approximately 0.2CR seconds. A capacitor of 100nF and resistor of 1M $\Omega$  will give a low to high delay of around 2.2ms and a high to low delay of 20ms, providing immunity to the 60Hz square wave signal occasionally used for switching between multiple LNB units.

# ZLNB2006 ZLNB2009 ZLNB2010

## CONTROL TABLES

### ZLNB2006

#### Channel 1:-

Tone 1	Vpol1	Y01	Y11	Y21	Y31
Off	$\leq 14V$	Low	High	High	High
Off	$\geq 15.5V$	High	Low	High	High
On	$\leq 14$	High	High	Low	High
On	$\geq 15.5$	High	High	High	Low

#### Channel 2:-

Tone 2	Vpol2	Y02	Y12	Y22	Y32
Off	$\leq 14V$	Low	High	High	High
Off	$\geq 15.5V$	High	Low	High	High
On	$\leq 14$	High	High	Low	High
On	$\geq 15.5$	High	High	High	Low

### ZLNB2009/10

#### Channel 1:-

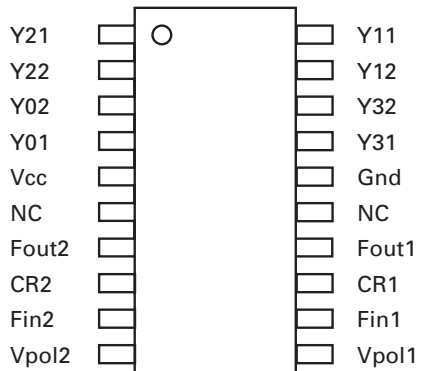
Tone 1	Vpol1	Y01	Y11	Y21	Y31
Off	$\leq 14V$	Low	High	High	High
Off	$\geq 15.5V$	High	Low	High	High
On	$\leq 14$	High	High	Low	High
On	$\geq 15.5$	High	High	High	Low
Don't Care	$\leq 8V$	High	High	High	High

#### Channel 2:-

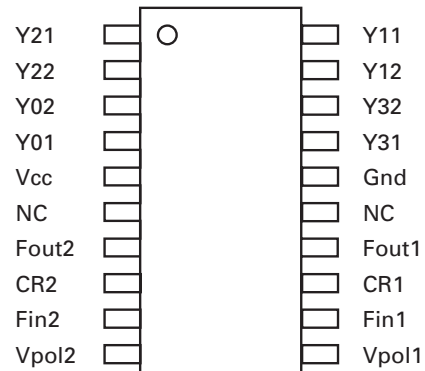
Tone 2	Vpol2	Y02	Y12	Y22	Y32
Off	$\leq 14V$	Low	High	High	High
Off	$\geq 15.5V$	High	Low	High	High
On	$\leq 14$	High	High	Low	High
On	$\geq 15.5$	High	High	High	Low
Don't Care	$\leq 8V$	High	High	High	High

# ZLNB2006 ZLNB2009 ZLNB2010

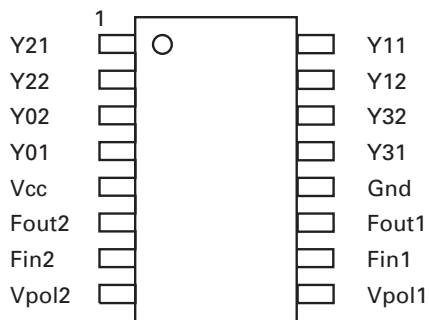
**ZLNB2006 PINOUT FOR QSOP20  
PACKAGE DESIGNATOR - Q20**



**ZLNB2009 PINOUT FOR QSOP20  
PACKAGE DESIGNATOR - Q20**



**ZLNB2010 PINOUT FOR QSOP16 PACKAGE  
DESIGNATOR - Q16**



## ORDERING INFORMATION

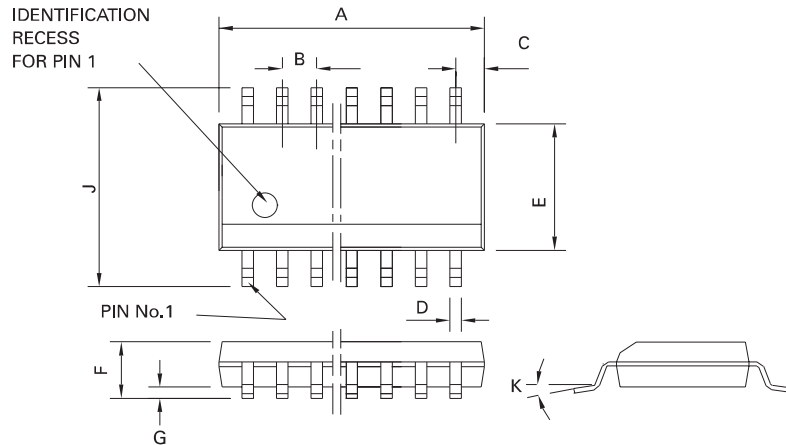
Part Number	Package	Part Mark
ZLNB2006Q20	QSOP20	ZLNB2006
ZLNB2009Q20	QSOP20	ZLNB2009
ZLNB2010Q16	QSOP16	ZLNB2010

## SAMPLE ORDERING INFORMATION

Part Number	Package	Part Mark
#ZLNB2006Q20	QSOP20	ZLNB2006
#ZLNB2009Q20	QSOP20	ZLNB2009
#ZLNB2010Q16	QSOP16	ZLNB2010

# ZLNB2006 ZLNB2009 ZLNB2010

## PACKAGE DIMENSIONS



### QSOP16

DIM	Millimetres		Inches	
	MIN	MAX	MIN	MAX
A	4.80	4.98	0.189	0.196
B	0.635		0.025 NOM	
C	0.23 REF		0.009 REF	
D	0.20	0.30	0.008	0.012
E	3.81	3.99	0.15	0.157
F	1.35	1.75	0.053	0.069
G	0.10	0.25	0.004	0.01

### QSOP20

DIM	Millimetres		Inches	
	MIN	MAX	MIN	MAX
A	8.55	8.74	0.337	0.344
B	0.635		0.025 NOM	
C	1.47 REF		0.058 REF	
D	0.20	0.30	0.008	0.012
E	3.81	3.99	0.15	0.157
F	1.35	1.75	0.053	0.069
G	0.10	0.25	0.004	0.01

© Zetex plc 2001

Zetex plc  
Fields New Road  
Chadderton  
Oldham, OL9 8NP  
United Kingdom  
Telephone (44) 161 622 4422  
Fax: (44) 161 622 4420

Zetex GmbH  
Streitfeldstraße 19  
D-81673 München  
Germany  
Telefon: (49) 89 45 49 49 0  
Fax: (49) 89 45 49 49 49

Zetex Inc  
700 Veterans Memorial Hwy  
Hauppauge, NY11788  
USA  
Telephone: (631) 360 2222  
Fax: (631) 360 8222

Zetex (Asia) Ltd  
3701-04 Metroplaza, Tower 1  
Hing Fong Road  
Kwai Fong, Hong Kong  
China  
Telephone: (852) 26100 611  
Fax: (852) 24250 494

These offices are supported by agents and distributors in major countries world-wide.



This publication is issued to provide outline information only which (unless agreed by the Company in writing) may not be used, applied or reproduced for any purpose or form part of any order or contract or be regarded as a representation relating to the products or services concerned. The Company reserves the right to alter without notice the specification, design, price or conditions of supply of any product or service.

For the latest product information, log on to [www.zetex.com](http://www.zetex.com)

ISSUE 1 - OCTOBER 2001

## Looking for pricing, stock, or lifecycle information?

Click below to explore more details on WIN SOURCE:

-  [View ZLNB2010Q16TC on WIN SOURCE](#)
-  [Diodes Incorporated Information](#)

## Optimize Your Supply Chain with WIN SOURCE Solutions

-  Global Sourcing Solution
-  Obsolete Management
-  Cost Control Management
-  Shortage Management
-  Alternative Solution
-  Excess Inventory Management