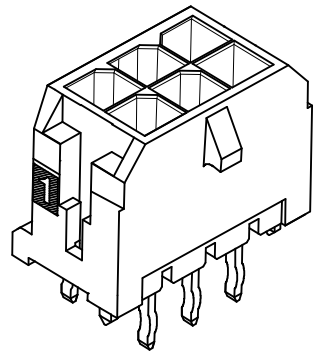
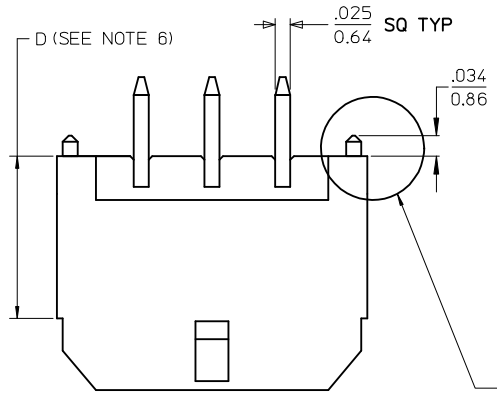


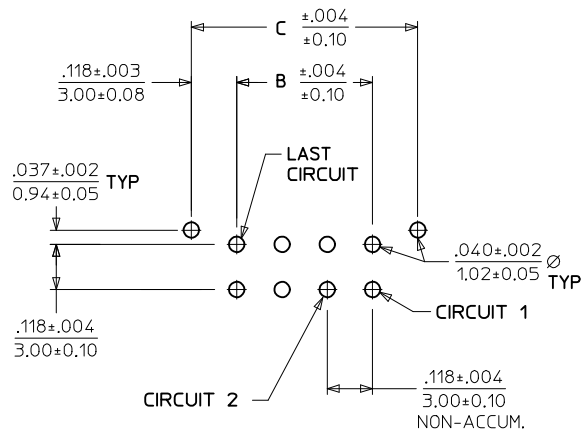


THE DATASHEET OF
430451214

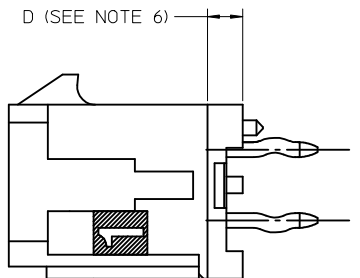
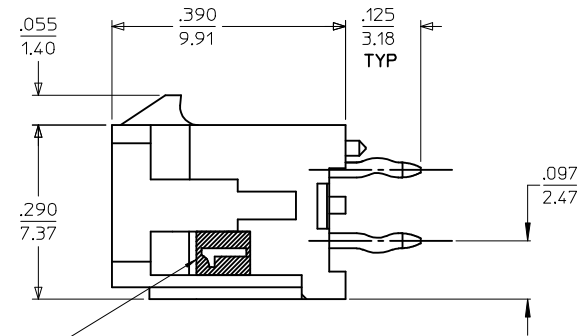
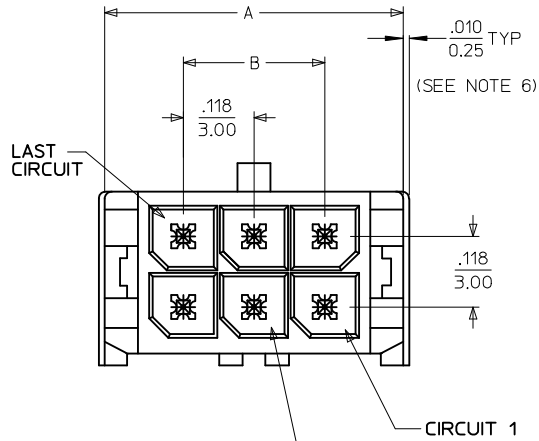




NOTE : (2) POLARIZATION PEGS ARE SHOWN, HOWEVER, ASSEMBLIES MAY BE MANUFACTURED WITH (1) PEG ONLY.



PCB LAYOUT: COMPONENT SIDE
RECOMMEND PCB THICKNESS: .062/1.57

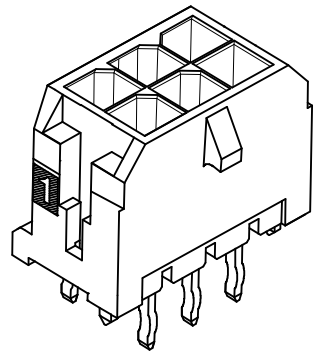
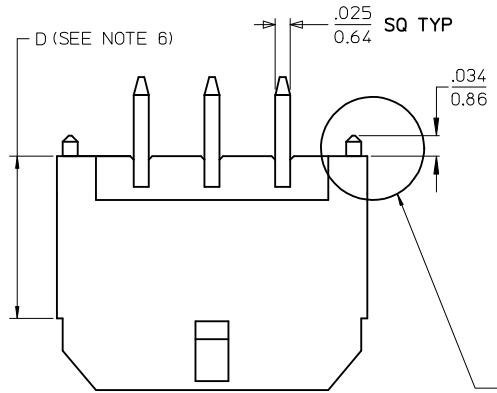


- NOTES:**
- HOUSING MATERIAL: GLASS FILLED LIQUID CRYSTAL POLYMER, UL94V-0, COLOR: BLACK
TERMINAL MATERIAL: BRASS ALLOY
 - FINISH: A = .000060/(0.00152) MIN. REFLOWED MATTE TIN OVER .000050/(0.00127) MIN. NICKEL PLATE. (FINISH IS BRIGHT IN APPEARANCE. THICKNESS AS APPLIED PRIOR TO REFLOW)
B = .000015/(0.00038) MIN. SELECT GOLD IN CONTACT AREA, .000100/(0.00254) MIN. SELECT MATTE TIN ON SOLDER TAILS, BOTH OVER .000050/(0.00127) MIN. NICKEL PLATE.
C = .000030/(0.00076) MIN. SELECT GOLD IN CONTACT AREA, .000100/(0.00254) MIN. SELECT MATTE TIN ON SOLDER TAILS, BOTH OVER .000050/(0.00127) MIN. NICKEL PLATE.
D = .000100/(0.00254) MIN. MATTE TIN OVER .000050/(0.00127) MIN. NICKEL PLATE.
 - PRODUCT SPECIFICATION: PS-43045
 - TRAY PACKAGED: SEE MOLEX DRAWING PK-70873-0314
 - MATES WITH MICRO FIT (3.0) RECEPTACLE SERIES 43025
 - CIRCUIT SIZES 2-6: "D" IS 0.265/6.74 FOR .010/0.25 STEP. CIRCUIT SIZES 8-24: "D" IS 0.063/1.60 FOR .010/0.25 STEP.
 - THIS PART CONFORMS TO CLASS B REQUIREMENTS OF COSMETIC SPECIFICATION PS-45499-002.

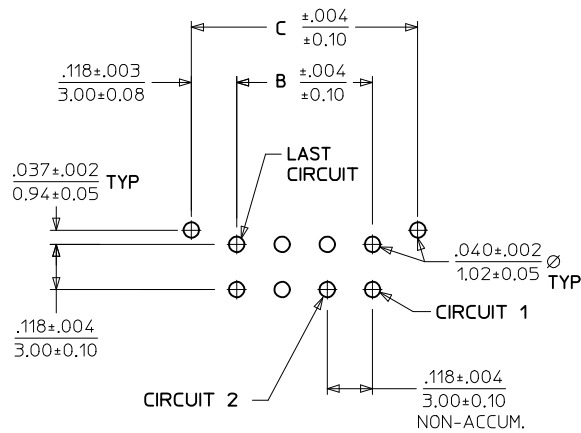
| CKTS | FINISH A | FINISH B | FINISH C | FINISH D |
|------|------------|------------|------------|------------|
| 02 | 43045-0212 | 43045-0213 | 43045-0214 | 43045-0311 |
| 04 | 43045-0412 | 43045-0413 | 43045-0414 | 43045-0511 |
| 06 | 43045-0612 | 43045-0613 | 43045-0614 | 43045-0711 |
| 08 | 43045-0812 | 43045-0813 | 43045-0814 | 43045-0911 |
| 10 | 43045-1012 | 43045-1013 | 43045-1014 | 43045-1111 |
| 12 | 43045-1212 | 43045-1213 | 43045-1214 | 43045-1311 |
| 14 | 43045-1412 | 43045-1413 | 43045-1414 | 43045-1511 |
| 16 | 43045-1612 | 43045-1613 | 43045-1614 | 43045-1711 |
| 18 | 43045-1812 | 43045-1813 | 43045-1814 | 43045-1911 |
| 20 | 43045-2012 | 43045-2013 | 43045-2014 | 43045-2111 |
| 22 | 43045-2212 | 43045-2213 | 43045-2214 | 43045-2311 |
| 24 | 43045-2412 | 43045-2413 | 43045-2414 | 43045-2511 |

| | | | | | | |
|---|-----------------|--|---|--------------|--------------|--|
| FINISH A & D EC NO: UCP2016-4586 2015/12/10 DRAWN:JFOX CHKD:SSOUSEK 2015/12/10 APPR:FSM LTH 2016/08/23 | QUALITY SYMBOLS | GENERAL TOLERANCES (UNLESS SPECIFIED) | DIMENSION STYLE | SCALE | DESIGN UNITS | THIRD ANGLE PROJECTION |
| | ▽=0 | 4 PLACES ± --- | IN/MM | --- | METRIC | |
| | ▽=0 | 3 PLACES ± --- | mm | DRAWN BY | DATE | TITLE |
| | ▽=0 | 2 PLACES ± 0.25 | INCH | SAMIEC | 2000/03/15 | MICRO FIT (3.0) DUAL ROW VERTICAL THRU HOLE HEADER ASS'Y |
| | 1 PLACE ± 0.36 | | CHECKED BY | DATE | | |
| | 0 PLACE ± --- | | SSOUSEK | 2016/06/01 | | |
| | | | APPROVED BY | DATE | | |
| | | | FSM LTH | 2016/08/23 | | |
| | | ANGULAR ±1/2° | MATERIAL NO. | DOCUMENT NO. | | |
| | | DRAFT WHERE APPLICABLE MUST REMAIN WITHIN DIMENSIONS | SEE CHART | SD-43045-005 | | |
| | | | SIZE | | | |
| | | | C | | | |
| | | | THIS DRAWING CONTAINS INFORMATION THAT IS PROPRIETARY TO MOLEX INCORPORATED AND SHOULD NOT BE USED WITHOUT WRITTEN PERMISSION | | | |

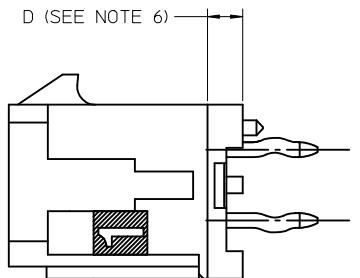
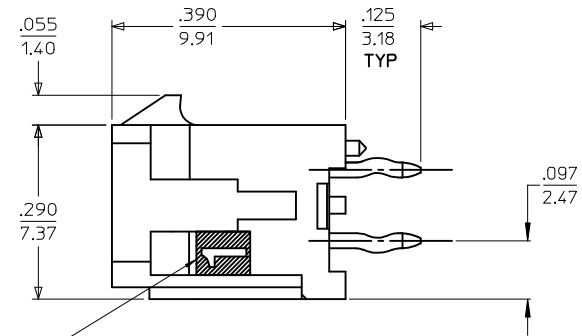
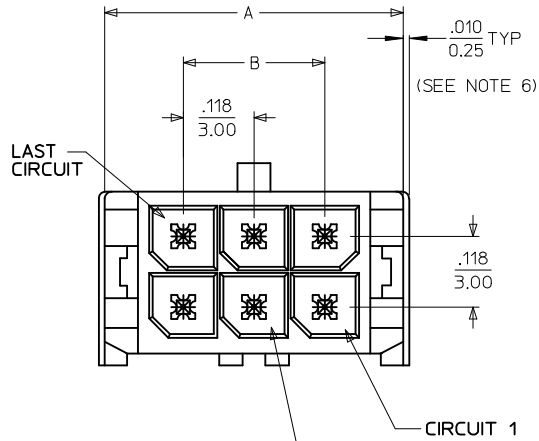
| CKTS | A | B | C |
|------|----------------|----------------|----------------|
| 02 | .262 6.65 | NA | .236 6.00 |
| 04 | .380 9.65 | .118 3.00 | .354 9.00 |
| 06 | .498 12.65 | .236 6.00 | .472 12.00 |
| 08 | .616 15.65 | .354 9.00 | .591 15.00 |
| 10 | .734 18.65 | .472 12.00 | .709 18.00 |
| 12 | .852 21.65 | .591 15.00 | .827 21.00 |
| 14 | .970 24.65 | .709 18.00 | .945 24.00 |
| 16 | 1.088 27.65 | .827 21.00 | 1.063 27.00 |
| 18 | 1.206 30.65 | .945 24.00 | 1.181 30.00 |
| 20 | 1.325 33.65 | 1.063 27.00 | 1.299 33.00 |
| 22 | 1.443 36.65 | 1.181 30.00 | 1.417 36.00 |
| 24 | 1.561 39.65 | 1.299 33.00 | 1.535 39.00 |



NOTE : (2) POLARIZATION PEGS ARE SHOWN, HOWEVER, ASSEMBLIES MAY BE MANUFACTURED WITH (1) PEG ONLY.



PCB LAYOUT: COMPONENT SIDE
RECOMMEND PCB THICKNESS: .062/1.57



- NOTES:**
- HOUSING MATERIAL: GLASS FILLED LIQUID CRYSTAL POLYMER, UL94V-0, COLOR: BLACK
TERMINAL MATERIAL: BRASS ALLOY
 - FINISH: A = .000060/(0.00152) MIN. REFLOWED MATTE TIN OVER .000050/(0.00127) MIN. NICKEL PLATE. (FINISH IS BRIGHT IN APPEARANCE. THICKNESS AS APPLIED PRIOR TO REFLOW)
B = .000015/(0.00038) MIN. SELECT GOLD IN CONTACT AREA, .000100/(0.00254) MIN. SELECT MATTE TIN ON SOLDER TAILS, BOTH OVER .000050/(0.00127) MIN. NICKEL PLATE.
C = .000030/(0.00076) MIN. SELECT GOLD IN CONTACT AREA, .000100/(0.00254) MIN. SELECT MATTE TIN ON SOLDER TAILS, BOTH OVER .000050/(0.00127) MIN. NICKEL PLATE.
D = .000100/(0.00254) MIN. MATTE TIN OVER .000050/(0.00127) MIN. NICKEL PLATE.
 - PRODUCT SPECIFICATION: PS-43045
 - TRAY PACKAGED: SEE MOLEX DRAWING PK-70873-0314
 - MATES WITH MICRO FIT (3.0) RECEPTACLE SERIES 43025
 - CIRCUIT SIZES 2-6: "D" IS 0.265/6.74 FOR .010/0.25 STEP. CIRCUIT SIZES 8-24: "D" IS 0.063/1.60 FOR .010/0.25 STEP.
 - THIS PART CONFORMS TO CLASS B REQUIREMENTS OF COSMETIC SPECIFICATION PS-45499-002.


| CKTS | FINISH A | FINISH B | FINISH C | FINISH D |
|------|------------|------------|------------|------------|
| 02 | 43045-0212 | 43045-0213 | 43045-0214 | 43045-0311 |
| 04 | 43045-0412 | 43045-0413 | 43045-0414 | 43045-0511 |
| 06 | 43045-0612 | 43045-0613 | 43045-0614 | 43045-0711 |
| 08 | 43045-0812 | 43045-0813 | 43045-0814 | 43045-0911 |
| 10 | 43045-1012 | 43045-1013 | 43045-1014 | 43045-1111 |
| 12 | 43045-1212 | 43045-1213 | 43045-1214 | 43045-1311 |
| 14 | 43045-1412 | 43045-1413 | 43045-1414 | 43045-1511 |
| 16 | 43045-1612 | 43045-1613 | 43045-1614 | 43045-1711 |
| 18 | 43045-1812 | 43045-1813 | 43045-1814 | 43045-1911 |
| 20 | 43045-2012 | 43045-2013 | 43045-2014 | 43045-2111 |
| 22 | 43045-2212 | 43045-2213 | 43045-2214 | 43045-2311 |
| 24 | 43045-2412 | 43045-2413 | 43045-2414 | 43045-2511 |

| | | | | | | |
|--|-----------------|---------------------------------------|-----------------|---|--------------|--|
| FINISH A & D EC NO: UCP2016-4586 2015/12/10 DRAWN:JFOOX CHKD:SSOUSEK 2015/12/10 APPR:FSM LTH 2016/08/23 | QUALITY SYMBOLS | GENERAL TOLERANCES (UNLESS SPECIFIED) | DIMENSION STYLE | SCALE | DESIGN UNITS | THIRD ANGLE PROJECTION |
| | ▽=0 | 4 PLACES ± --- | IN/MM | --- | METRIC | |
| | ▽=0 | 3 PLACES ± --- | mm | DRAWN BY | DATE | TITLE |
| | ▽=0 | 2 PLACES ± 0.25 | INCH | SAMIEC | 2000/03/15 | MICRO FIT (3.0) DUAL ROW VERTICAL THRU HOLE HEADER ASS'Y |
| | 1 PLACE ± 0.36 | 0 PLACE ± --- | | CHECKED BY | DATE | |
| | | | | SSOUSEK | 2016/06/01 | |
| | | | | APPROVED BY | DATE | |
| | | | | FSM LTH | 2016/08/23 | |
| | | | | MATERIAL NO. | DOCUMENT NO. | SHEET NO. |
| | | | | SEE CHART | SD-43045-005 | 1 OF 1 |
| | | | | THIS DRAWING CONTAINS INFORMATION THAT IS PROPRIETARY TO MOLEX INCORPORATED AND SHOULD NOT BE USED WITHOUT WRITTEN PERMISSION | | |

| CKTS | A | B | C |
|------|----------------|----------------|----------------|
| 02 | .262 6.65 | NA | .236 6.00 |
| 04 | .380 9.65 | .118 3.00 | .354 9.00 |
| 06 | .498 12.65 | .236 6.00 | .472 12.00 |
| 08 | .616 15.65 | .354 9.00 | .591 15.00 |
| 10 | .734 18.65 | .472 12.00 | .709 18.00 |
| 12 | .852 21.65 | .591 15.00 | .827 21.00 |
| 14 | .970 24.65 | .709 18.00 | .945 24.00 |
| 16 | 1.088 27.65 | .827 21.00 | 1.063 27.00 |
| 18 | 1.206 30.65 | .945 24.00 | 1.181 30.00 |
| 20 | 1.325 33.65 | 1.063 27.00 | 1.299 33.00 |
| 22 | 1.443 36.65 | 1.181 30.00 | 1.417 36.00 |
| 24 | 1.561 39.65 | 1.299 33.00 | 1.535 39.00 |

Looking for pricing, stock, or lifecycle information?

Click below to explore more details on WIN SOURCE:

 [View 430451214 on WIN SOURCE](#)

 [Molex, LLC Information](#)

Optimize Your Supply Chain with WIN SOURCE Solutions

-  Global Sourcing Solution
-  Obsolete Management
-  Cost Control Management
-  Shortage Management
-  Alternative Solution
-  Excess Inventory Management