



**THE DATASHEET OF
FT93C56A-UDR-B**



3-Wire Serial EEPROM

1K, 2K and 4Kbit (8-bit or 16-bit wide)

FEATURES

- ❑ Standard Voltage and Low Voltage Operation:
 - FT93C46/56/66: $V_{CC} = 2.5V$ to $5.5V$
 - FT93C46A/56A/66A: $V_{CC} = 1.8V$ to $5.5V$
- ❑ User Selectable Internal Organization:
 - FT93C46: 128 x 8 or 64 x 16
 - FT93C56: 256 x 8 or 128 x 16
 - FT93C66: 512 x 8 or 256 x 16
- ❑ 2 MHz Clock Rate (5V) Compatibility.
- ❑ Industry Standard 3-wire Serial Interface.
- ❑ Self-Timed ERASE/WRITE Cycles (5ms max including auto-erase).
- ❑ Automatic ERAL before WRAL.
- ❑ Sequential READ Function.
- ❑ High Reliability: Typical 1 Million Erase/Write Cycle Endurance.
- ❑ 100 Years Data Retention.
- ❑ Industrial Temperature Range ($-40^{\circ}C$ to $85^{\circ}C$).
- ❑ Standard 8-pin PDIP/SOIC/TSSOP Pb-free Packages.

DESCRIPTION

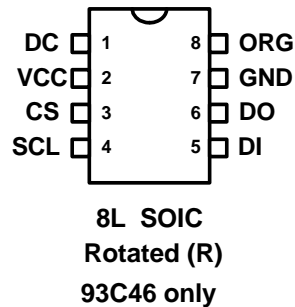
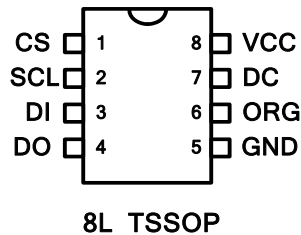
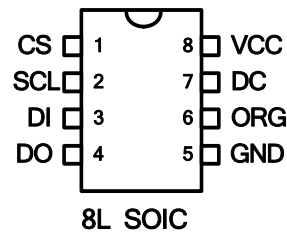
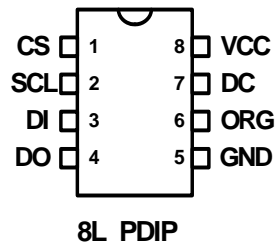
The FT93C46/56/66 series are 1024/2048/4096 bits of serial Electrical Erasable and Programmable Read Only Memory, commonly known as EEPROM. They are organized as 64/128/256 words of 16 bits each when the ORG pin is connected to VCC (or unconnected) and 128/256/512 words of 8 bits (1 byte) each when the ORG pin is tied to ground. The devices are fabricated with proprietary advanced CMOS process for low power and low voltage applications. These devices are available in standard 8-lead PDIP, 8-lead JEDEC SOIC and 8-lead TSSOP packages. Our extended V_{CC} range (1.8V to 5.5V) devices enables wide spectrum of applications.

The FT93C46/56/66 is enabled through the Chip Select pin (CS), and accessed via a 3-wire serial interface consisting of Data Input (DI), Data Output (DO), and Shift Clock (SCL). Upon receiving a READ instruction at DI, the address is decoded and the data is clocked out serially on the data output pin DO. The WRITE cycle is completely self-timed and no separate ERASE cycle is required before WRITE. The WRITE cycle is only enabled when the part is in the ERASE/WRITE ENABLE state. Once a device begins its self-timed program procedure, the data out pin (DO) can indicate the READY/BUSY status by rising chip select (CS).

PIN CONFIGURATION

Pin Name	Pin Function
CS	Chip Select
SCL	Serial Clock
DI	Serial Data Input
DO	Serial Data Output
ORG	Internal Organization
DC	Don't Connect
VCC	Power Supply
GND	Ground

All these packaging types come in Pb-free certified.

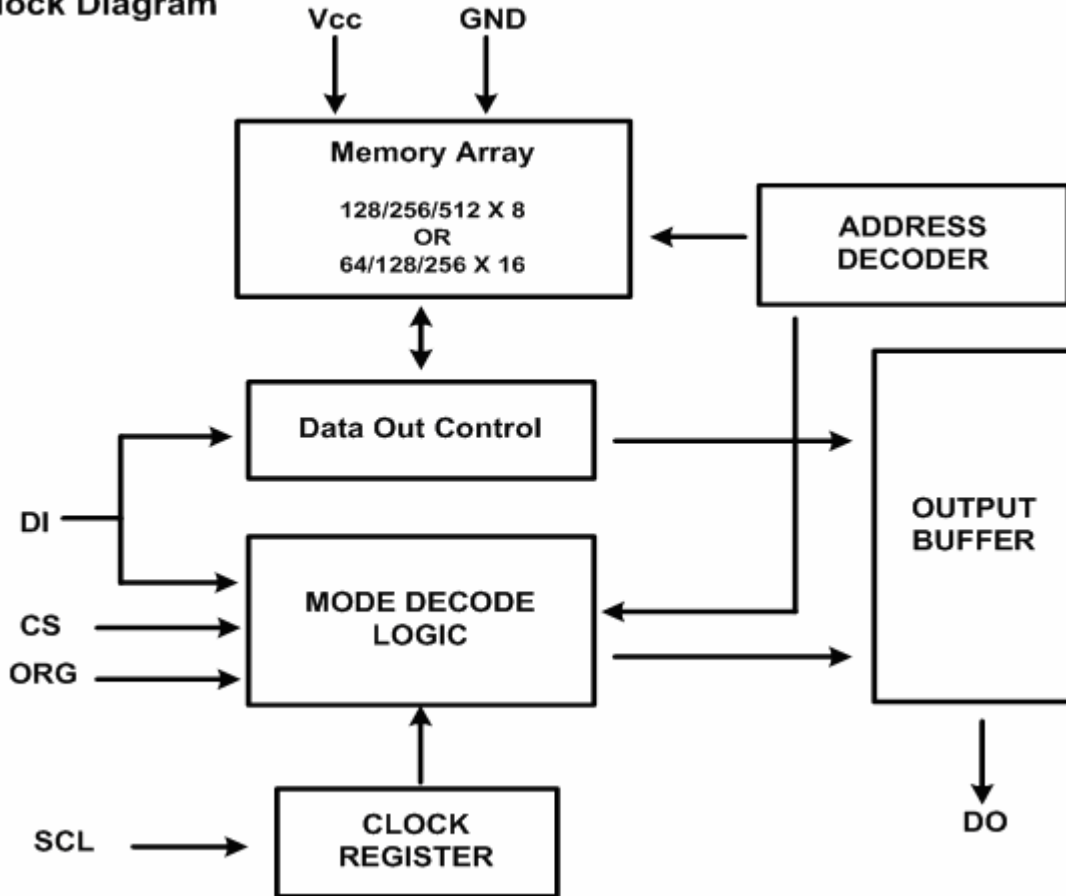


ABSOLUTE MAXIMUM RATINGS

Industrial operating temperature:	-40°C to 85°C
Storage temperature:	-50°C to 125°C
Input voltage on any pin relative to ground:	-0.3V to $V_{CC} + 0.3V$
Maximum voltage:	8V

* Stresses exceed those listed under "Absolute Maximum Rating" may cause permanent damage to the device. Functional operation of the device at conditions beyond those listed in the specification is not guaranteed. Prolonged exposure to extreme conditions may affect device reliability or functionality.

Block Diagram



PIN DESCRIPTIONS

(A) SERIAL CLOCK (SCL)

The rising edge of this SCL input is to latch data into the EEPROM device while the rising edge of this clock is to clock data out of the EEPROM device.

(B) CHIP SELECT (CS)

This is the chip select input signal for the serial EEPROM device.

(C) SERIAL DATA INPUT (DI)

This is data input signal for the serial device.

(D) SERIAL DATA OUTPUT (DO)

This is data output signal for the serial device.

(E) INTERNAL ORGANIZATION (ORG)

This is internal organization input signal for the serial EEPROM device. When the ORG pin is connected to VCC or unconnected the EEPROM is organized as 64/128/256 word of 16 bits each and when ORG pin is connected to ground the EEPROM is organized as 128/256/512 byte of 8 bits each. Typically, these signals are hardwired to either V_{IH} or V_{IL} . If left unconnected, they are internally recognized as V_{IH} .

MEMORY ORGANIZATION

The FT93C46/56/66 memory is organized either as bytes (x8) or as words (x16). If Internal Organization (ORG) is unconnected (or connected to VCC) the words (x16) organization is selected; When Internal Organization is connected to ground the bytes (x8) organization is selected.

INSTRUCTION SET for the FT93C46

Instruction	SB	Op Code	Address		Data		Comments
			x 8	x 16	x 8	x 16	
READ	1	10	A ₆ - A ₀	A ₅ - A ₀			Reads data stored in memory, at specified address.
EWEN	1	00	11xxxxx	11xxxx			Write enable must precede all programming modes.
EWDS	1	00	00xxxxx	00xxxx			Disables all programming instructions.
ERASE	1	11	A ₆ - A ₀	A ₅ - A ₀			Erase memory location A _n - A ₀ .
WRITE	1	01	A ₆ - A ₀	A ₅ - A ₀	D ₇ - D ₀	D ₁₅ - D ₀	Writes memory location A _n - A ₀ .
ERAL	1	00	10xxxxx	10xxxx			Erases all memory locations.
WRAL	1	00	01xxxxx	01xxxx	D ₇ - D ₀	D ₁₅ - D ₀	Writes all memory locations.

INSTRUCTION SET for the FT93C56 and FT93C66

Instruction	SB	Op Code	Address		Data		Comments
			x 8	x 16	x 8	x 16	
READ	1	10	A ₈ - A ₀	A ₇ - A ₀			Reads data stored in memory, at specified address.
EWEN	1	00	11xxxxxxxx	11xxxxxxxx			Write enable must precede all programming modes.
EWDS	1	00	00xxxxxxxx	00xxxxxxxx			Disables all programming instructions.
ERASE	1	11	A ₈ - A ₀	A ₇ - A ₀			Erase memory location A _n - A ₀ .
WRITE	1	01	A ₈ - A ₀	A ₇ - A ₀	D ₇ - D ₀	D ₁₅ - D ₀	Writes memory location A _n - A ₀ .
ERAL	1	00	10xxxxxxxx	10xxxxxxxx			Erases all memory locations.
WRAL	1	00	01xxxxxxxx	01xxxxxxxx	D ₇ - D ₀	D ₁₅ - D ₀	Writes all memory locations.

(A) START BIT (SB)

Each instruction is preceded by a rising edge on Chip Select (CS) with Serial Clock (SCL) being held Low.

(B) OPERATION CODE (OP-CODE)

Two op-code bits, read on Serial Data Input (DI) during the rising edge of Serial Clock (SCL).

(C) ADDRESS

The address bits of the byte or word that is to be accessed. For the FT93C46, the address is made up of 6 bits for the x16 organization or 7 bits for x8 organization. For the FT93C56, the address is made up of 7 bits for the x16 organization or 8 bits for x8 organization. For the FT93C66, the address is made up of 8 bits for the x16 organization or 9 bits for x8 organization.

(D) DATA

The data bits of the byte or word that is to be accessed. For the FT93C46/56/66, the data is made up of 16 bits (word) for the x16 organization or 8 bits (byte) for x8 organization.

INSTRUCTION SETS DESCRIPTION

(A) READ

The Read (READ) instruction contains the Address code for the memory location to be read. After the instruction and address are decoded, data from the selected memory location is available at the serial output pin DO. Output data changes are synchronized with the rising edges of serial clock SK. It should be noted that when a dummy bit (logic “0”) precedes the 8- or 16-bit data output string.

(B) ERASE/WRITE ENABLE

To assure data integrity, the part automatically goes into the Erase/Write Disable (EWDS) state when power is first applied. An Erase/Write Enable (EWEN) instruction must be executed first before any programming instructions can be carried out. Please note that once in the Erase/Write Enable state, programming remains enabled until an Erase/Write Disable (EWDS) instruction is executed or V_{CC} power is removed from the part.

(C) ERASE/WRITE DISABLE

To protect against accidental data disturb, the Erase/Write Disable (EWDS) instruction disables all programming modes and should be executed after all programming operations. The operation of the READ instruction is independent of both the EWEN and EWDS instructions and can be executed at any time.

(D) ERASE

The Erase (ERASE) instruction programs all bits in the specified memory location to the logical “1” state. The self-timed erase cycle starts once the ERASE instruction and address are decoded. The DO pin outputs the READY/BUSY status of the part if CS is brought high after being kept low for a minimum of 250 ns (t_{CS}). A logic “1” at pin DO indicates that the selected memory location has been erased, and the part is ready for another instruction.

(E) WRITE

The Write (WRITE) instruction contains the 8 or 16 bits of data to be written into the specified memory location. The self-timed programming cycle, t_{WP} , starts after the last bit of data is received at serial data input pin DI. The DO pin outputs the READY/BUSY status of the part if CS is brought high after being kept low for a minimum of 250 ns (t_{CS}). A logic “0” at DO indicates that programming is still in progress. A logic “1” indicates that the memory location at the specified address has been written with the data pattern contained in the instruction and the part is ready for further instructions. A READY/BUSY status cannot be obtained if the CS is brought high after the end of the self-timed programming cycle, t_{WP} .

(F) ERASE ALL

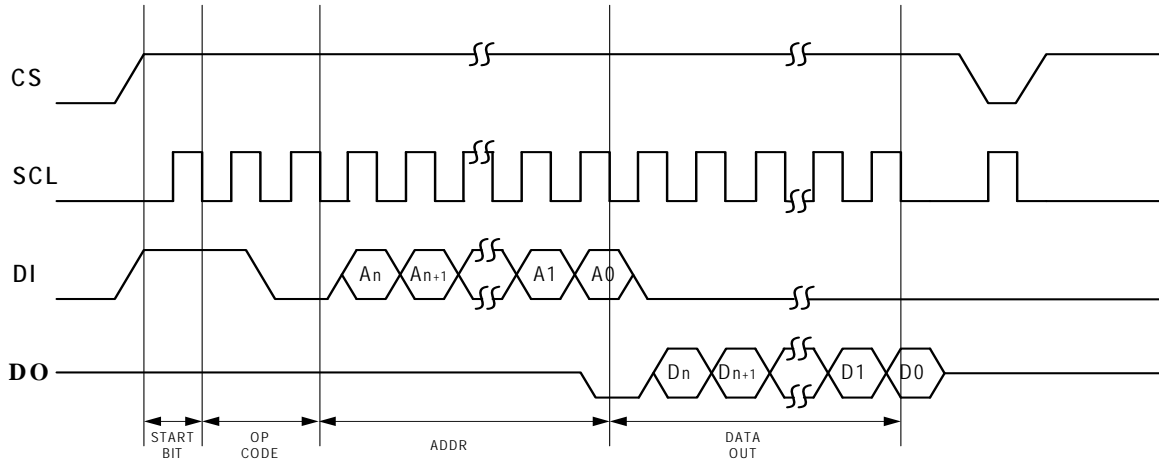
The Erase All (ERAL) instruction programs every bit in the memory array to the logic “1” state and is primarily used for testing purposes. The DO pin outputs the READY/BUSY status of the part if CS is brought high after being kept low for a minimum of 250 ns (t_{CS}). The ERAL instruction is valid only at $V_{CC} = 5.0V \pm 10\%$.

(G) WRITE ALL

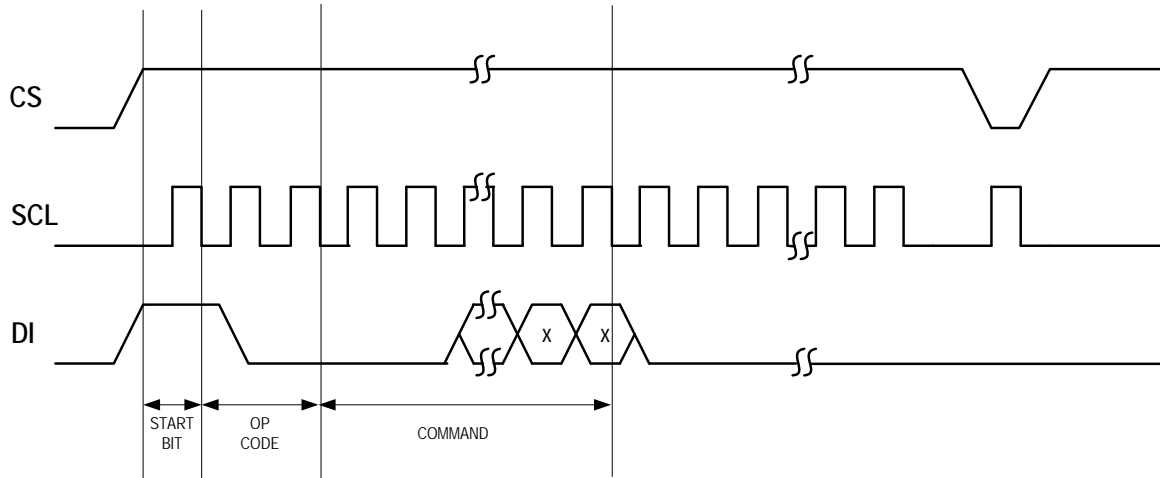
The Write All (WRAL) instruction programs all memory locations with the data patterns specified in the instruction. The DO pin outputs the READY/BUSY status of the part if CS is brought high after being kept low for a minimum of 250 ns (t_{CS}). The WRAL instruction is valid only at $V_{CC} = 5.0V \pm 10\%$.

Timing Diagrams

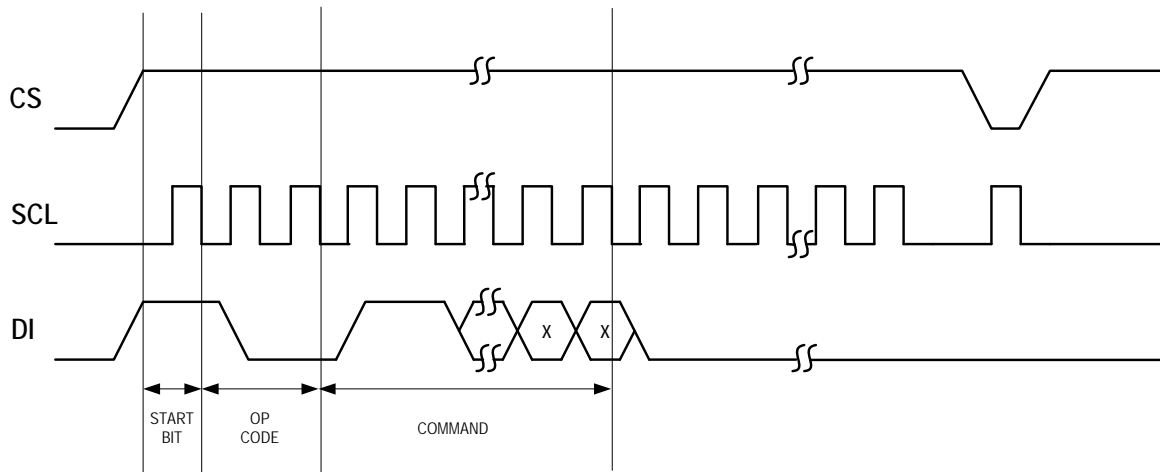
READ Timing



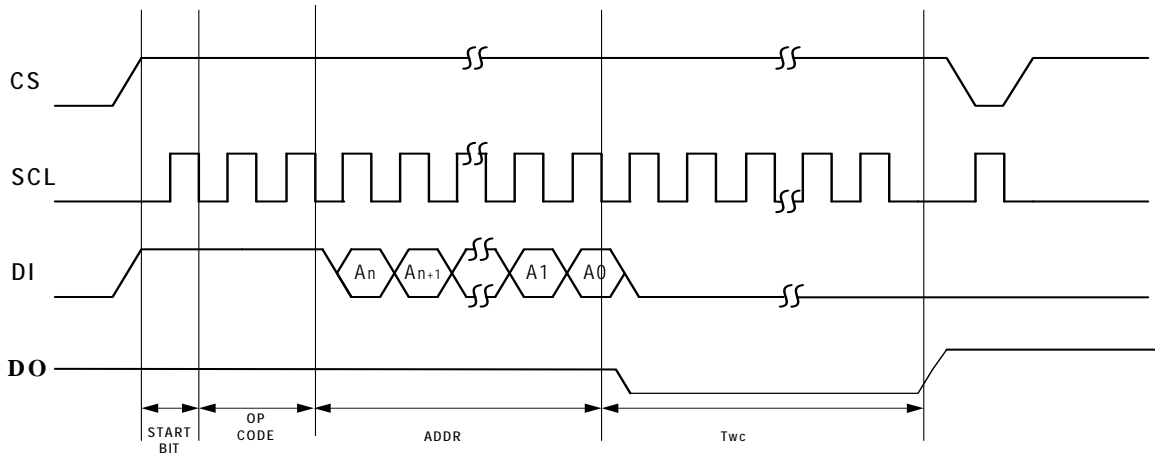
EWDS Timing



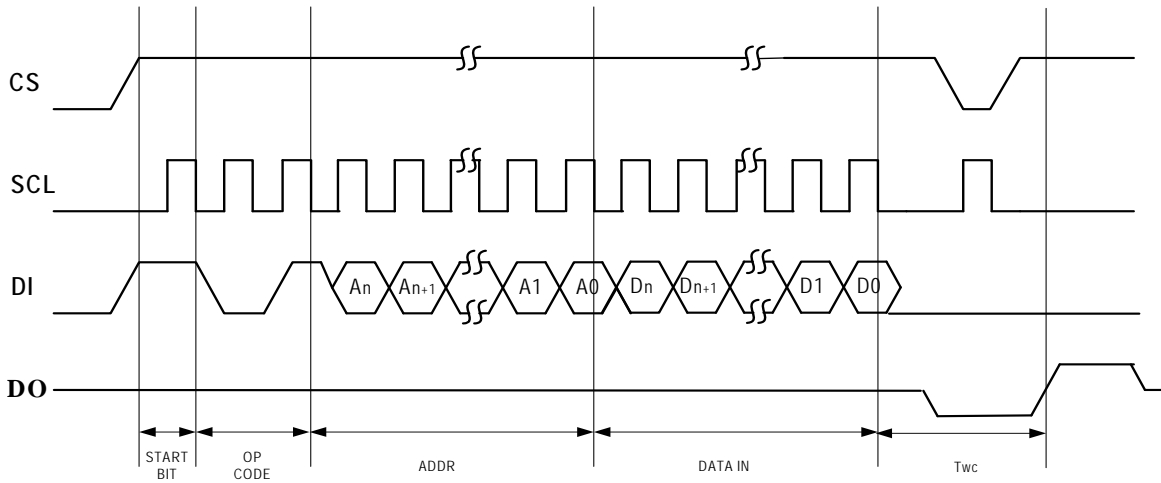
EWEN Timing



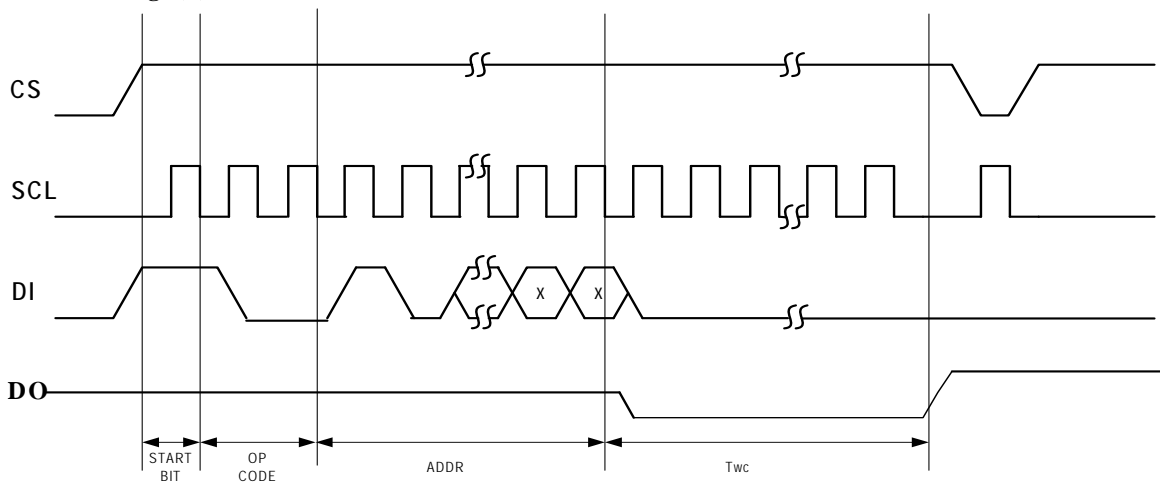
ERASE Timing



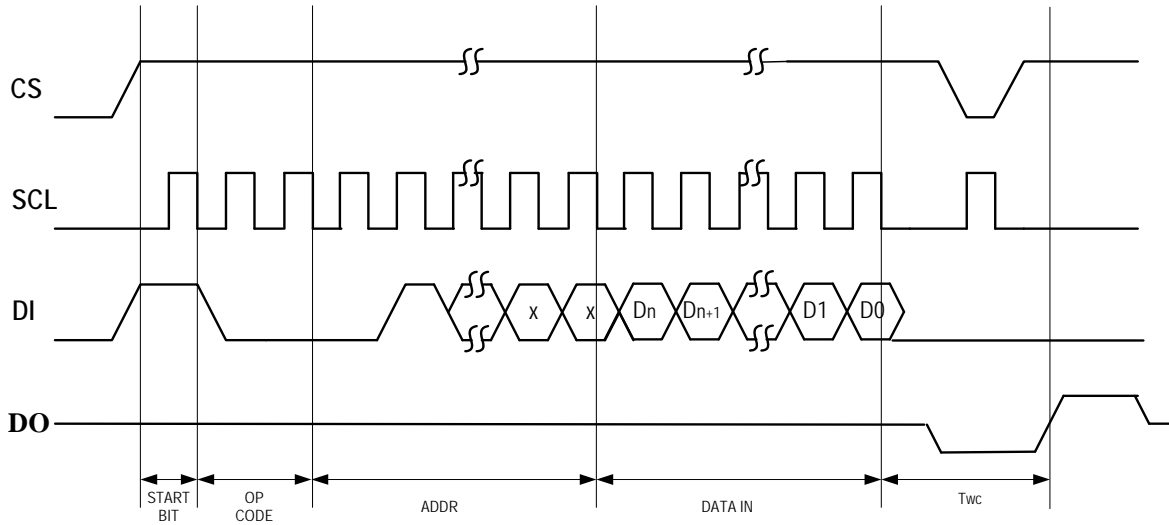
WRITE Timing



ERASE Timing (1)

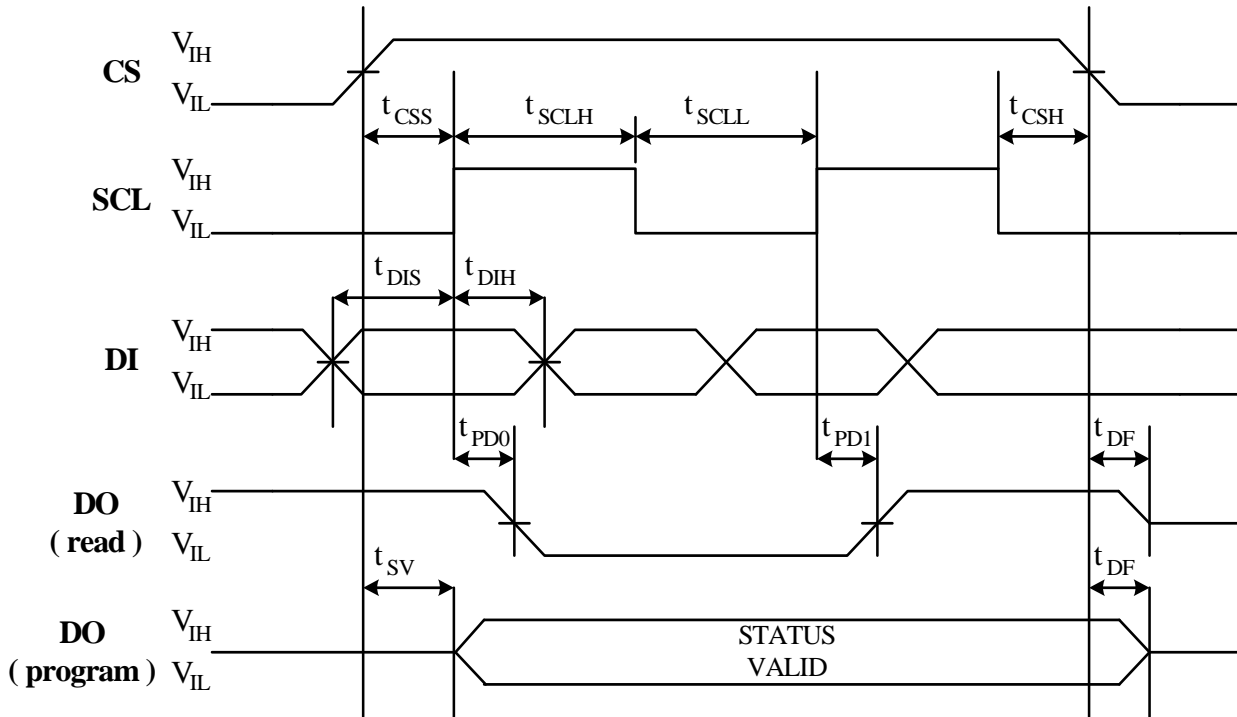


WRAL Timing (2)



- Note : 1. Valid only at $V_{CC}=4.5V$ to $5.5V$
2. Valid only at $V_{CC}=4.5V$ to $5.5V$

Synchronous Data Timing



AC CHARACTERISTICS

Applicable over recommended operating range from: $T_{AI} = -40^{\circ}\text{C}$ to $+85^{\circ}\text{C}$, $V_{CC} = +1.8\text{V}$ to $+5.5\text{V}$, $T_{AC} = 0^{\circ}\text{C}$ to $+70^{\circ}\text{C}$, $V_{CC} = +1.8\text{V}$ to $+5.5\text{V}$ (unless otherwise noted).

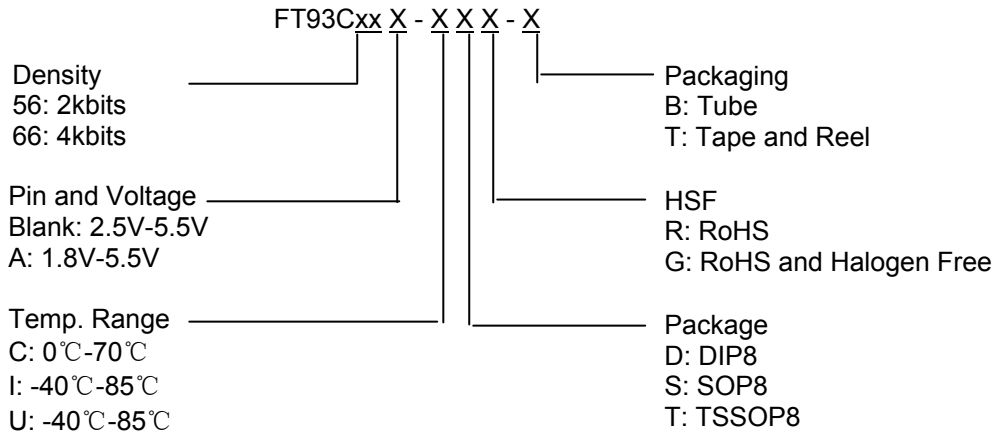
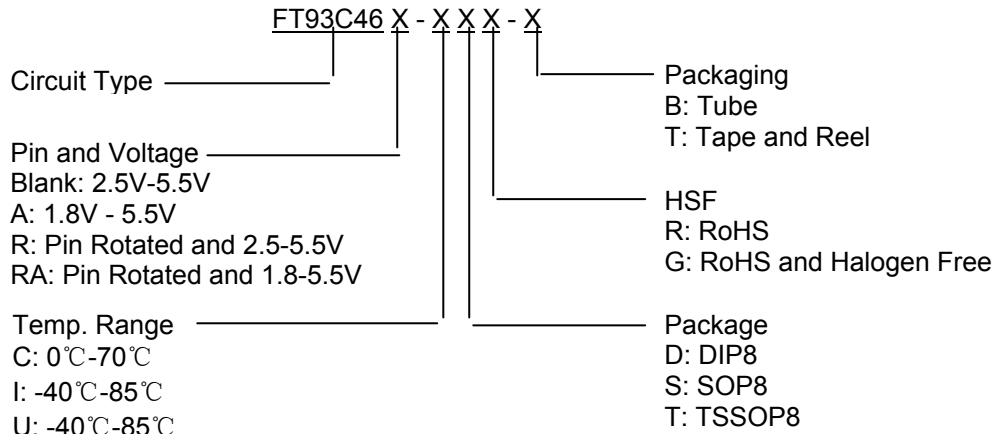
Symbol	Parameter	Test Condition		Min	Typ	Max	Units
f_{SCL}	SCL Clock Frequency	$4.5\text{V} \leq V_{CC} \leq 5.5\text{V}$ $2.7\text{V} \leq V_{CC} \leq 5.5\text{V}$ $1.8\text{V} \leq V_{CC} \leq 5.5\text{V}$		0 0 0		2 1 0.25	MHz
t_{SCLH}	SCL High Time	$4.5\text{V} \leq V_{CC} \leq 5.5\text{V}$ $2.7\text{V} \leq V_{CC} \leq 5.5\text{V}$ $1.8\text{V} \leq V_{CC} \leq 5.5\text{V}$		250 250 1000			ns
t_{SCLL}	SCL Low Time	$4.5\text{V} \leq V_{CC} \leq 5.5\text{V}$ $2.7\text{V} \leq V_{CC} \leq 5.5\text{V}$ $1.8\text{V} \leq V_{CC} \leq 5.5\text{V}$		250 250 1000			ns
t_{CS}	Minimum CS Low Time	$4.5\text{V} \leq V_{CC} \leq 5.5\text{V}$ $2.7\text{V} \leq V_{CC} \leq 5.5\text{V}$ $1.8\text{V} \leq V_{CC} \leq 5.5\text{V}$		250 250 1000			ns
t_{CSS}	CS Setup Time	Relative to SCL	$4.5\text{V} \leq V_{CC} \leq 5.5\text{V}$ $2.7\text{V} \leq V_{CC} \leq 5.5\text{V}$ $1.8\text{V} \leq V_{CC} \leq 5.5\text{V}$	50 50 200			ns
t_{DIS}	DI Setup Time	Relative to SCL	$4.5\text{V} \leq V_{CC} \leq 5.5\text{V}$ $2.7\text{V} \leq V_{CC} \leq 5.5\text{V}$ $1.8\text{V} \leq V_{CC} \leq 5.5\text{V}$	100 100 400			ns
t_{CSH}	CS Hold Time	Relative to SCL		0			ns
t_{DIH}	DI Hold Time	Relative to SCL	$4.5\text{V} \leq V_{CC} \leq 5.5\text{V}$ $2.7\text{V} \leq V_{CC} \leq 5.5\text{V}$ $1.8\text{V} \leq V_{CC} \leq 5.5\text{V}$	100 100 400			ns
t_{PD1}	Output Delay to '1'	AC Test	$4.5\text{V} \leq V_{CC} \leq 5.5\text{V}$ $2.7\text{V} \leq V_{CC} \leq 5.5\text{V}$ $1.8\text{V} \leq V_{CC} \leq 5.5\text{V}$			250 250 1000	ns
t_{PD0}	Output Delay to '0'	AC Test	$4.5\text{V} \leq V_{CC} \leq 5.5\text{V}$ $2.7\text{V} \leq V_{CC} \leq 5.5\text{V}$ $1.8\text{V} \leq V_{CC} \leq 5.5\text{V}$			250 250 1000	ns
t_{SV}	CS to Status Valid	AC Test	$4.5\text{V} \leq V_{CC} \leq 5.5\text{V}$ $2.7\text{V} \leq V_{CC} \leq 5.5\text{V}$ $1.8\text{V} \leq V_{CC} \leq 5.5\text{V}$			250 250 1000	ns
t_{DF}	CS to DO in High Impedance	AC Test CS = V_{IL}	$4.5\text{V} \leq V_{CC} \leq 5.5\text{V}$ $2.7\text{V} \leq V_{CC} \leq 5.5\text{V}$ $1.8\text{V} \leq V_{CC} \leq 5.5\text{V}$			100 100 400	ns
t_{WC}	Write Cycle Time		$4.5\text{V} \leq V_{CC} \leq 5.5\text{V}$		3	10	ms

DC CHARACTERISTICS

Applicable over recommended operating range from $T_A = -40^{\circ}\text{C}$ to $+85^{\circ}\text{C}$, $V_{CC} = \text{As Specified}$, $CL = 1$ TTL Gate and 100 pF (unless otherwise noted).

Symbol	Parameter	Test Condition	Min	Typ	Max	Unit
V_{CC1}	Supply Voltage		1.8		5.5	V
V_{CC2}	Supply Voltage		2.5		5.5	V
V_{CC3}	Supply Voltage		2.7		5.5	V
V_{CC4}	Supply Voltage		4.5		5.5	V
I_{CC}	Supply Current	$V_{CC} = 5.0\text{V}$	READ at 1.0 MHz	0.5	2.0	mA
			WRITE at 1.0 MHz	0.5	2.0	mA
I_{SB1}	Standby Current	$V_{CC} = 1.8\text{V}$	CS = 0V	0	0.1	μA
I_{SB2}	Standby Current	$V_{CC} = 2.5\text{V}$	CS = 0V	6.0	10.0	μA
I_{SB3}	Standby Current	$V_{CC} = 2.7\text{V}$	CS = 0V	6.0	10.0	μA
I_{SB4}	Standby Current	$V_{CC} = 5.0\text{V}$	CS = 0V	17	30	μA
I_{IL}	Input Leakage	$V_{in} = 0\text{V to } V_{CC}$		0.1	1.0	μA
I_{OL}	Output Leakage	$V_{in} = 0\text{V to } V_{CC}$		0.1	1.0	μA
$V_{IL1}^{(1)}$ $V_{IH1}^{(1)}$	Input Low Voltage Input High Voltage	$4.5\text{V} \leq V_{CC} \leq 5.5\text{V}$		-0.6 2.0	0.8 $V_{CC} + 1$	V
$V_{IL2}^{(1)}$ $V_{IH2}^{(1)}$	Input Low Voltage Input High Voltage	$1.8\text{V} \leq V_{CC} \leq 2.7\text{V}$		-0.6 $V_{CC} \times 0.7$	$V_{CC} \times 0.3$ $V_{CC} + 1$	V
V_{OL1}	Output Low Voltage		$I_{OL} = 2.1 \text{ mA}$		0.4	V
V_{OH1}	Output High Voltage	$4.5\text{V} \leq V_{CC} \leq 5.5\text{V}$	$I_{OH} = -0.4 \text{ mA}$	2.4		V
V_{OL12}	Output Low Voltage		$I_{OL} = 0.15 \text{ mA}$		0.2	V
V_{OH2}	Output High Voltage	$1.8\text{V} \leq V_{CC} \leq 2.7\text{V}$	$I_{OH} = -100 \mu\text{A}$	$V_{CC} - 0.2$		V

ORDER CODE:



ORDER INFORMATION

Density	Package	Temperature Range	Pin and Voltage	HSF	Packaging	Ordering Code	
1kbits	DIP8	0°C-70°C	1.8V-5.5V	RoHS	Tube	FT93C46A-CDR-B	
				Green	Tube	FT93C46A-CDG-B	
			Pin Rotated 1.8V-5.5V	RoHS	Tube	FT93C46RA-CDR-B	
				Green	Tube	FT93C46RA-CDG-B	
			2.5V-5.5V	RoHS	Tube	FT93C46-CDR-B	
				Green	Tube	FT93C46-CDG-B	
			Pin Rotated 2.5V-5.5V	RoHS	Tube	FT93C46R-CDR-B	
				Green	Tube	FT93C46R-CDG-B	
			-40°C-85°C	1.8V-5.5V	RoHS	Tube	FT93C46A-IDR-B
						Tube	FT93C46A-UDR-B
					Green	Tube	FT93C46A-IDG-B
						Tube	FT93C46A-UDG-B
		Pin Rotated 1.8V-5.5V		RoHS	Tube	FT93C46RA-IDR-B	
					Tube	FT93C46RA-UDR-B	
				Green	Tube	FT93C46RA-IDG-B	
					Tube	FT93C46RA-UDG-B	
		2.5V-5.5V		RoHS	Tube	FT93C46-IDR-B	
					Tube	FT93C46-UDR-B	
				Green	Tube	FT93C46-IDG-B	
					Tube	FT93C46-UDG-B	
		Pin Rotated 2.5V-5.5V	RoHS	Tube	FT93C46R-IDR-B		
				Tube	FT93C46R-UDR-B		
			Green	Tube	FT93C46R-IDG-B		
				Tube	FT93C46R-UDG-B		
	SOP8	0°C-70°C	1.8V-5.5V	RoHS	Tube	FT93C46A-CSR-B	
					Tape and Reel	FT93C46A-CSR-T	
				Green	Tube	FT93C46A-CSG-B	
					Tape and Reel	FT93C46A-CSG-T	
				Pin Rotated 1.8V-5.5V	RoHS	Tube	FT93C46RA-CSR-B
						Tape and Reel	FT93C46RA-CSR-T
			Green		Tube	FT93C46RA-CSG-B	
					Tape and Reel	FT93C46RA-CSG-T	

1kbits	SOP8	0°C-70°C	2.5V-5.5V	RoHS	Tube	FT93C46-CSR-B
					Tape and Reel	FT93C46-CSR-T
			Green	Tube	FT93C46-CSG-B	
				Tape and Reel	FT93C46-CSG-T	
			Pin Rotated 2.5V-5.5V	RoHS	Tube	FT93C46R-CSR-B
					Tape and Reel	FT93C46R-CSR-T
		Green	Tube	FT93C46R-CSG-B		
			Tape and Reel	FT93C46R-CSG-T		
		-40°C-85°C	1.8V-5.5V	RoHS	Tube	FT93C46A-ISR-B
						FT93C46A-USR-B
				Tape and Reel	FT93C46A-ISR-T	
					FT93C46A-USR-T	
	Green			Tube	FT93C46A-ISG-B	
					FT93C46A-USG-B	
	Tape and Reel		FT93C46A-ISG-T			
			FT93C46A-USG-T			
	Pin Rotated 1.8V-5.5V		RoHS	Tube	FT93C46RA-ISR-B	
					FT93C46RA-USR-B	
			Tape and Reel	FT93C46RA-ISR-T		
				FT93C46RA-USR-T		
		Green	Tube	FT93C46RA-ISG-B		
				FT93C46RA-USG-B		
	Tape and Reel	FT93C46RA-ISG-T				
		FT93C46RA-USG-T				
2.5V-5.5V	RoHS	Tube	FT93C46-ISR-B			
			FT93C46-USR-B			
	Tape and Reel	FT93C46-ISR-T				
		FT93C46-USR-T				
	Green	Tube	FT93C46-ISG-B			
			FT93C46-USG-B			
Tape and Reel	FT93C46-ISG-T					
	FT93C46-USG-T					

1kbits	SOP8	-40°C-85°C'	Pin Rotated 2.5V-5.5V	RoHS	Tube	FT93C46R-ISR-B
						FT93C46R-USR-B
					Tape and Reel	FT93C46R-ISR-T
						FT93C46R-USR-T
				Green	Tube	FT93C46R-ISG-B
						FT93C46R-USG-B
	Tape and Reel	FT93C46R-ISG-T				
			FT93C46R-USG-T			
	TSSOP8	0°C-70°C	1.8V-5.5V	RoHS	Tube	FT93C46A-CTR-B
						FT93C46A-CTR-T
					Tape and Reel	FT93C46A-CTR-T
				Green	Tube	FT93C46A-CTG-B
						FT93C46A-CTG-T
					Tape and Reel	FT93C46A-CTG-T
			Pin Rotated 1.8V-5.5V	RoHS	Tube	FT93C46RA-CTR-B
						FT93C46RA-CTR-T
					Tape and Reel	FT93C46RA-CTR-T
				Green	Tube	FT93C46RA-CTG-B
						FT93C46RA-CTG-T
					Tape and Reel	FT93C46RA-CTG-T
		2.5V-5.5V	RoHS	Tube	FT93C46-CTR-B	
					FT93C46-CTR-T	
				Tape and Reel	FT93C46-CTR-T	
			Pin Rotated 2.5V-5.5V	RoHS	Tube	FT93C46R-CTR-B
					FT93C46R-CTR-T	
Tape and Reel					FT93C46R-CTR-T	
Green	RoHS	Tube	FT93C46R-CTG-B			
			FT93C46R-CTG-T			
		Tape and Reel	FT93C46R-CTG-T			
	-40°C-85°C	1.8V-5.5V	RoHS	Tube	FT93C46A-ITR-B	
					FT93C46A-UTR-B	
				Tape and Reel	FT93C46A-ITR-T	
			FT93C46A-UTR-T			
Green			Tube	FT93C46A-ITG-B		
				FT93C46A-UTG-B		
		Tape and Reel	FT93C46A-ITG-T			
			FT93C46A-UTG-T			
Pin Rotated 1.8V-5.5V		RoHS	Tube	FT93C46RA-ITR-B		
				FT93C46RA-UTR-B		
			Tape and Reel	FT93C46RA-ITR-T		
			FT93C46RA-UTR-T			
	Green	Tube	FT93C46RA-ITG-B			
			FT93C46RA-UTG-B			
Tape and Reel		FT93C46RA-ITG-T				
		FT93C46RA-UTG-T				

1kbits	TSSOP8	-40°C-85°C	2.5V-5.5V	RoHS	Tube	FT93C46-ITR-B
					Tube	FT93C46-UTR-B
					Tape and Reel	FT93C46-ITR-T
				Green	Tape and Reel	FT93C46-UTR-T
					Tube	FT93C46-ITG-B
					Tube	FT93C46-UTG-B
			Pin Rotated 2.5V-5.5V	RoHS	Tube	FT93C46-ITG-T
					Tube	FT93C46-UTG-T
					Tape and Reel	FT93C46R-ITR-B
				Green	Tape and Reel	FT93C46R-UTR-B
					Tube	FT93C46R-ITR-T
					Tube	FT93C46R-UTR-T
Green	Tube	FT93C46R-ITG-B				
	Tube	FT93C46R-UTG-B				
	Tape and Reel	FT93C46R-ITG-T				
	Tape and Reel	FT93C46R-UTG-T				

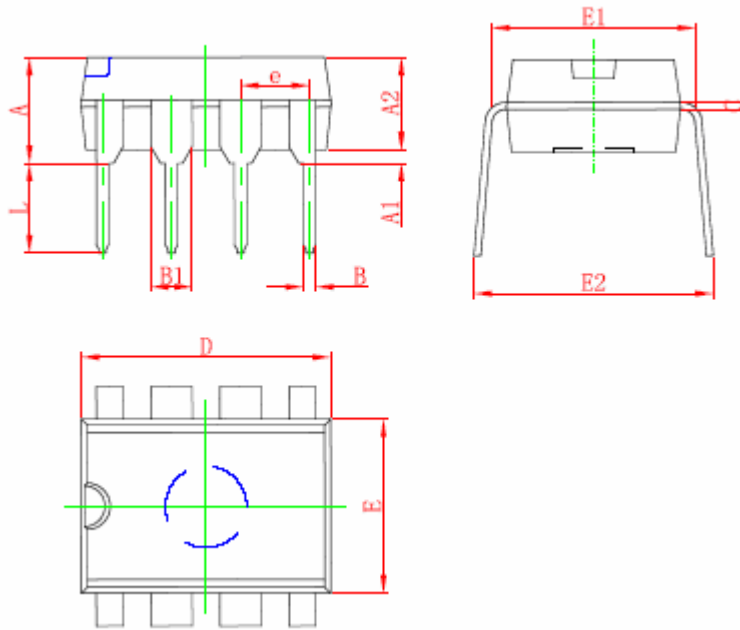
Density	Package	Temperature Range	Pin and Voltage	HSF	Packaging	Ordering Code
2kbits	DIP8	0°C-70°C	1.8V-5.5V	RoHS	Tube	FT93C56A-CDR-B
				Green	Tube	FT93C56A-CDG-B
			2.5V-5.5V	RoHS	Tube	FT93C56-CDR-B
				Green	Tube	FT93C56-CDG-B
		-40°C-85°C	1.8V-5.5V	RoHS	Tube	FT93C56A-IDR-B
					Tube	FT93C56A-UDR-B
				Green	Tube	FT93C56A-IDG-B
					Tube	FT93C56A-UDG-B
			2.5V-5.5V	RoHS	Tube	FT93C56-IDR-B
					Tube	FT93C56-UDR-B
				Green	Tube	FT93C56-IDG-B
					Tube	FT93C56-UDG-B
		0°C-70°C	1.8V-5.5V	RoHS	Tube	FT93C56A-CSR-B
					Tape and Reel	FT93C56A-CSR-T
				Green	Tube	FT93C56A-CSG-B
					Tape and Reel	FT93C56A-CSG-T
			2.5V-5.5V	RoHS	Tube	FT93C56-CSR-B
					Tape and Reel	FT93C56-CSR-T
				Green	Tube	FT93C56-CSG-B
					Tape and Reel	FT93C56-CSG-T
		-40°C-85°C	1.8V-5.5V	RoHS	Tube	FT93C56A-ISR-B
					Tape and Reel	FT93C56A-USR-B
				Green	Tube	FT93C56A-ISG-B
					Tape and Reel	FT93C56A-USG-B
	2.5V-5.5V		RoHS	Tube	FT93C56A-ISR-T	
				Tape and Reel	FT93C56A-USR-T	
			Green	Tube	FT93C56A-ISG-T	
				Tape and Reel	FT93C56A-USG-T	
	SOP8	-40°C-85°C	2.5V-5.5V	RoHS	Tube	FT93C56-ISR-B
					Tape and Reel	FT93C56-USR-B
Green			Tube	FT93C56-ISR-T		
			Tape and Reel	FT93C56-USR-T		
2.5V-5.5V		RoHS	2.5V-5.5V	Tube	FT93C56-ISG-B	
				Tape and Reel	FT93C56-USG-B	
		Green	Tube	FT93C56-ISG-T		
			Tape and Reel	FT93C56-USG-T		

2kbits	TSSOP8	0°C-70°C	1.8V-5.5V	RoHS	Tube	FT93C56A-CTR-B
					Tape and Reel	FT93C56A-CTR-T
				Green	Tube	FT93C56A-CTG-B
			Tape and Reel	FT93C56A-CTG-T		
			2.5V-5.5V	RoHS	Tube	FT93C56-CTR-B
					Tape and Reel	FT93C56-CTR-T
		Green		Tube	FT93C56-CTG-B	
		Tape and Reel	FT93C56-CTG-T			
		-40°C-85°C	1.8V-5.5V	RoHS	Tube	FT93C56A-ITR-B
						FT93C56A-UTR-B
					Tape and Reel	FT93C56A-ITR-T
				FT93C56A-UTR-T		
	Green			Tube	FT93C56A-ITG-B	
					FT93C56A-UTG-B	
			Tape and Reel	FT93C56A-ITG-T		
	FT93C56A-UTG-T					
	2.5V-5.5V		RoHS	Tube	FT93C56-ITR-B	
					FT93C56-UTR-B	
				Tape and Reel	FT93C56-ITR-T	
			FT93C56-UTR-T			
		Green	Tube	FT93C56-ITG-B		
				FT93C56-UTG-B		
	Tape and Reel		FT93C56-ITG-T			
	FT93C56-UTG-T					

Density	Package	Temperature Range	Pin and Voltage	HSF	Packaging	Ordering Code	
4kbits	DIP8	0°C-70°C	1.8V-5.5V	RoHS	Tube	FT93C66A-CDR-B	
				Green	Tube	FT93C66A-CDG-B	
			2.5V-5.5V	RoHS	Tube	FT93C66-CDR-B	
				Green	Tube	FT93C66-CDG-B	
		-40°C-85°C	1.8V-5.5V	RoHS	Tube	FT93C66A-IDR-B	
						FT93C66A-UDR-B	
				Green	Tube	FT93C66A-IDG-B	
			2.5V-5.5V			FT93C66A-UDG-B	
				RoHS	Tube	FT93C66-IDR-B	
				Green	Tube	FT93C66-IDG-B	
		SOP8	0°C-70°C	1.8V-5.5V	RoHS	Tube	FT93C66A-CSR-B
						Tape and Reel	FT93C66A-CSR-T
	Green				Tube	FT93C66A-CSG-B	
					Tape and Reel	FT93C66A-CSG-T	
	2.5V-5.5V				RoHS	Tube	FT93C66-CSR-B
					Green	Tube	FT93C66-CSG-B
	-40°C-85°C			1.8V-5.5V	RoHS	Tube	FT93C66A-ISR-B
						Tape and Reel	FT93C66A-ISR-T
							FT93C66A-USR-B
				2.5V-5.5V	RoHS	Tube	FT93C66A-USR-T
							FT93C66A-USG-B
					Green	Tube	FT93C66A-ISG-B
			1.8V-5.5V	RoHS	Tube	FT93C66A-USG-T	
					Tape and Reel	FT93C66A-USG-T	
				2.5V-5.5V	RoHS	Tube	FT93C66-ISR-B
					Green	Tube	FT93C66-ISR-B
			1.8V-5.5V	RoHS	Tape and Reel	FT93C66-ISR-T	
				Green	Tape and Reel	FT93C66-ISR-T	
2.5V-5.5V			RoHS	Tape and Reel	FT93C66-USR-T		
			Green	Tape and Reel	FT93C66-USR-T		
	1.8V-5.5V	RoHS	Tube	FT93C66-ISG-B			
		Green	Tube	FT93C66-USG-B			
	2.5V-5.5V	RoHS	Tube	FT93C66-ISG-T			
		Green	Tube	FT93C66-USG-T			

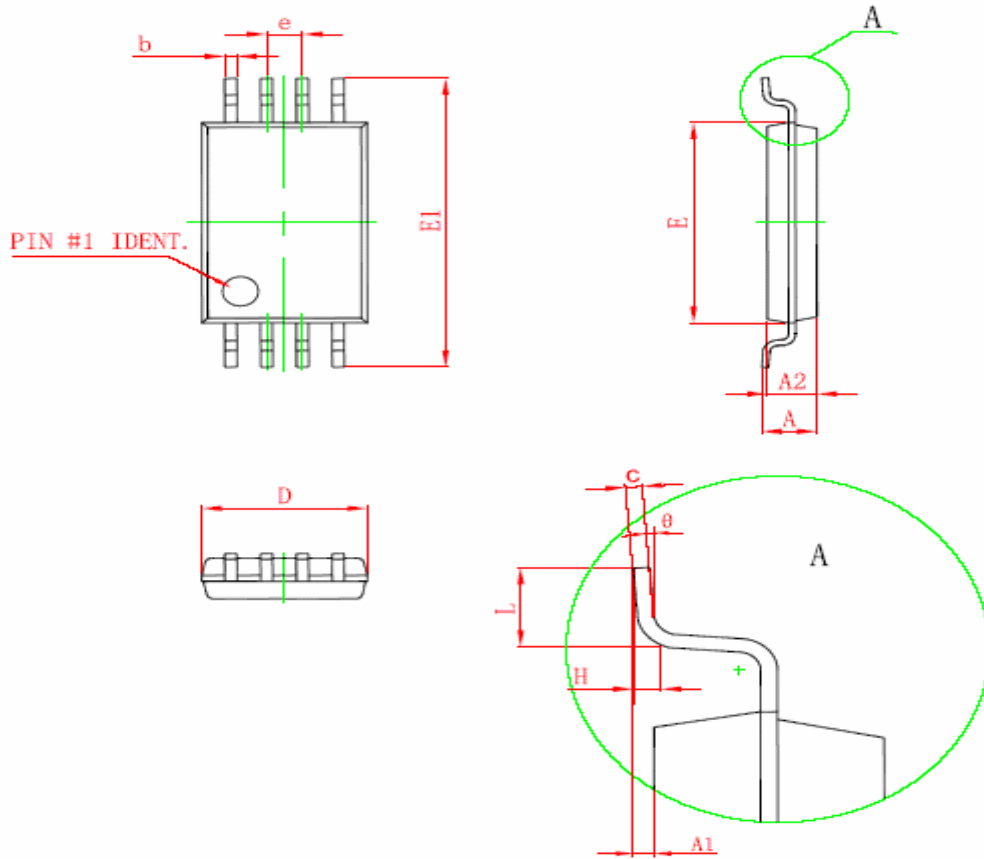
4kbits	TSSOP8	0°C-70°C	1.8V-5.5V	RoHS	Tube	FT93C66A-CTR-B
					Tape and Reel	FT93C66A-CTR-T
			Green	Tube	FT93C66A-CTG-B	
				Tape and Reel	FT93C66A-CTG-T	
		2.5V-5.5V	RoHS	Tube	FT93C66-CTR-B	
				Tape and Reel	FT93C66-CTR-T	
		Green	Tube	FT93C66-CTG-B		
			Tape and Reel	FT93C66-CTG-T		
	-40°C-85°C	1.8V-5.5V	RoHS	Tube	FT93C66A-ITR-B	
					FT93C66A-UTR-B	
				Tape and Reel	FT93C66A-ITR-T	
					FT93C66A-UTR-T	
		Green	Tube	FT93C66A-ITG-B		
				FT93C66A-UTG-B		
			Tape and Reel	FT93C66A-ITG-T		
				FT93C66A-UTG-T		
2.5V-5.5V	RoHS	Tube	FT93C66-ITR-B			
			FT93C66-UTR-B			
		Tape and Reel	FT93C66-ITR-T			
			FT93C66-UTR-T			
Green	Tube	FT93C66-ITG-B				
		FT93C66-UTG-B				
	Tape and Reel	FT93C66-ITG-T				
		FT93C66-UTG-T				

DIP8 PACKAGE OUTLINE DIMENSIONS



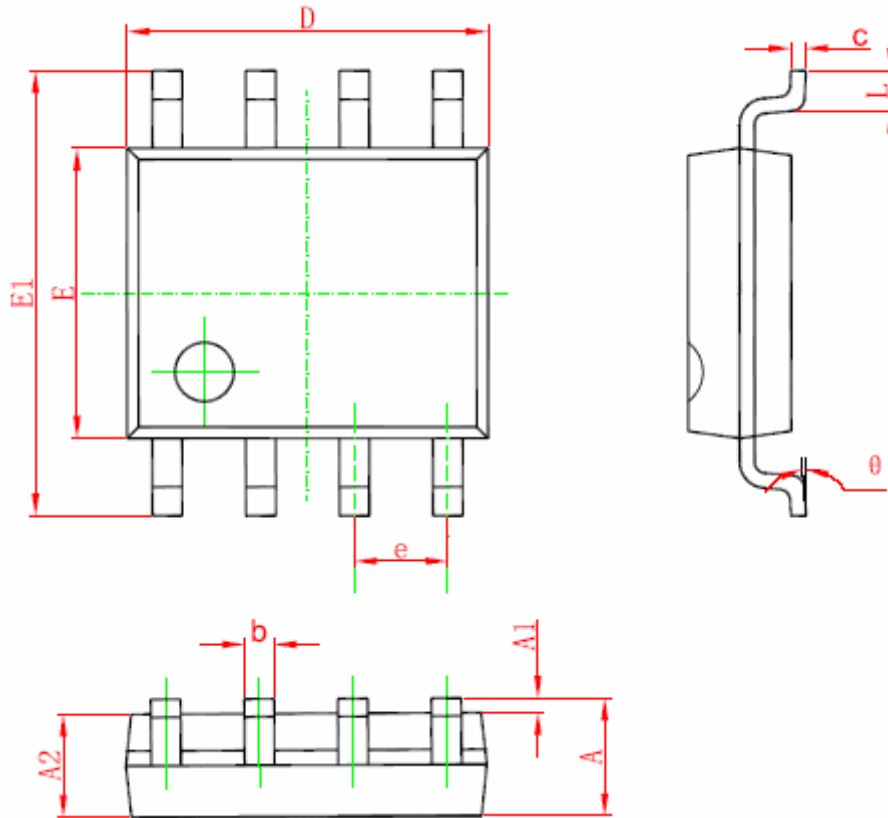
Symbol	Dimensions In Millimeters		Dimensions In Inches	
	Min	Max	Min	Max
A	3.710	4.310	0.146	0.170
A1	0.510		0.020	
A2	3.200	3.600	0.126	0.142
B	0.380	0.570	0.015	0.022
B1	1.524 (BSC)		0.060 (BSC)	
C	0.204	0.360	0.008	0.014
D	9.000	9.400	0.354	0.370
E	6.200	6.600	0.244	0.260
E1	7.320	7.920	0.288	0.312
e	2.540 (BSC)		0.100 (BSC)	
L	3.000	3.600	0.118	0.142
E2	8.400	9.000	0.331	0.354

TSSOP8 PACKAGE OUTLINE DIMENSIONS



Symbol	Dimensions In Millimeters		Dimensions In Inches	
	Min	Max	Min	Max
D	2.900	3.100	0.114	0.122
E	4.300	4.500	0.169	0.177
b	0.190	0.300	0.007	0.012
c	0.090	0.200	0.004	0.008
E1	6.250	6.550	0.246	0.258
A		1.100		0.043
A2	0.800	1.000	0.031	0.039
A1	0.020	0.150	0.001	0.006
e	0.65 (BSC)		0.026 (BSC)	
L	0.500	0.700	0.020	0.028
H	0.25 (TYP)		0.01 (TYP)	
theta	1°	7°	1°	7°

SOP8 PACKAGE OUTLINE DIMENSIONS



Symbol	Dimensions In Millimeters		Dimensions In Inches	
	Min	Max	Min	Max
A	1.350	1.750	0.053	0.069
A1	0.100	0.250	0.004	0.010
A2	1.350	1.550	0.053	0.061
b	0.330	0.510	0.013	0.020
c	0.170	0.250	0.006	0.010
D	4.700	5.100	0.185	0.200
E	3.800	4.000	0.150	0.157
E1	5.800	6.200	0.228	0.244
e	1.270 (BSC)		0.050 (BSC)	
L	0.400	1.270	0.016	0.050
θ	0°	8°	0°	8°

Fremont Micro Devices (SZ) Limited

#5-8, 10/F, Changhong Building, Ke-Ji Nan 12 Road, Nanshan District, Shenzhen
Tel: (86 755) 86117811
Fax: (86 755) 86117810

Fremont Micro Devices (Hong Kong) Limited

#16, 16/F, Blk B, Veristrong Industrial Centre, 34-36 Au Pui Wan Street, Fotan, Shatin, Hong Kong
Tel: (852) 27811186
Fax: (852) 27811144

Fremont Micro Devices (USA), Inc.

42982 Osgood Road Fremont, CA 94539
Tel: (1-510) 668-1321
Fax: (1-510) 226-9918

Web Site: <http://www.fremontmicro.com/>

* Information furnished is believed to be accurate and reliable. However, Fremont Micro Devices, Incorporated (BVI) assumes no responsibility for the consequences of use of such information or for any infringement of patents of other rights of third parties which may result from its use. No license is granted by implication or otherwise under any patent rights of Fremont Micro Devices, Incorporated (BVI). Specifications mentioned in this publication are subject to change without notice. This publication supersedes and replaces all information previously supplied. Fremont Micro Devices, Incorporated (BVI) products are not authorized for use as critical components in life support devices or systems without express written approval of Fremont Micro Devices, Incorporated (BVI). The FMD logo is a registered trademark of Fremont Micro Devices, Incorporated (BVI). All other names are the property of their respective owners.

Looking for pricing, stock, or lifecycle information?

Click below to explore more details on WIN SOURCE:

-  [View FT93C56A-UDR-B on WIN SOURCE](#)
-  [Fremont Micro Devices USA Information](#)

Optimize Your Supply Chain with WIN SOURCE Solutions

-  Global Sourcing Solution
-  Obsolete Management
-  Cost Control Management
-  Shortage Management
-  Alternative Solution
-  Excess Inventory Management