



**THE DATASHEET OF
NCN1188MUTAG**



NCN1188

3:1 High Speed USB Switch with Audio and MHL Capability

The NCN1188 allows portable systems to share a single USB 2.0 or 3.0 receptacle to transmit and receive paired signals from three separate locations. All of the three differential channels are compliant to High Speed USB 2.0, Full Speed USB 1.1, Low Speed USB 1.0 and any generic UART protocol. The two dedicated high speed data paths also support Mobile High Definition Link (MHL) video up to resolutions of 1080i (2.25 Gbps) and 1080p (3 Gbps in Packed Pixel mode). The multi-purpose audio path is capable of passing signals with negative voltages as low as 2 V below ground and features shunt resistors to reduce Pop and Click noise in the audio system. The NCN1188 is housed in a space saving, ultra low profile 2.0 x 1.7 x 0.5 mm, 12 pins UQFN package.

Features

- High Bandwidth of 1.8 GHz
- V_{CC} Operating Range from 2.7 V to 5.5 V
- V_{IS} Signal from 0 V to 3.7 V for Data Transfer
- V_{IS} Signal from -2 V to 2 V for Stereo Headphone Connection
- Audio Shunt resistor for Pop & Click Noise Reduction
- V_{IO} Control Pins Compatible to 1.8V Interfaces
- Low Power Consumption of 23 μA
- Small UQFN 2.0 x 1.7 x 0.5 mm Package
- These Devices are Pb-Free and are RoHS Compliant

Typical Applications

- USB 2.0 / 3.0 Micro-B Applications
- USB to HDMI Video Interfaces via MHL
- Features Phones and Smart Phones
- Digital Cameras
- Handset Media Players

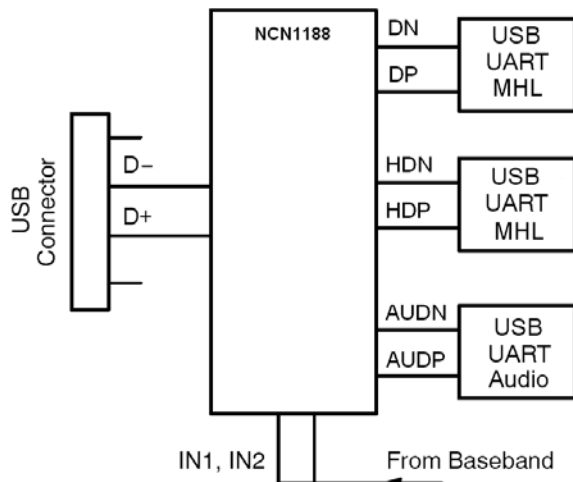


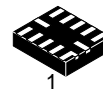
Figure 1. NCN1188 Typical Application Schematic



ON Semiconductor®

www.onsemi.com

MARKING DIAGRAM

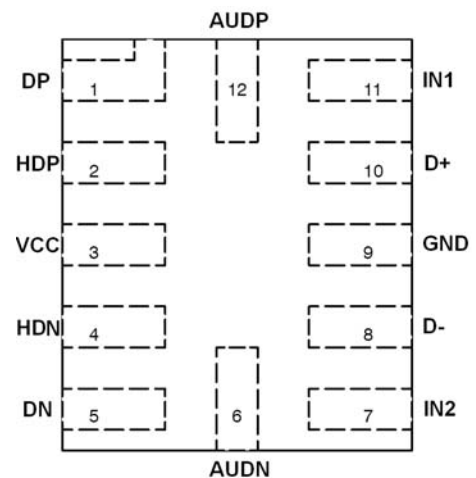


UQFN12
MU SUFFIX
CASE 523AE



AG = Specific Device Code
M = Date Code
▪ = Pb-Free Package

PIN ASSIGNMENTS



(Top View)

ORDERING INFORMATION

Device	Package	Shipping†
NCN1188MUTAG	UQFN12 (Pb-Free)	3000 / Tape & Reel

†For information on tape and reel specifications, including part orientation and tape sizes, please refer to our Tape and Reel Packaging Specifications Brochure, BRD8011/D.

NCN1188

NCN1188 TRUTH TABLE

Function	IN1	IN2	Shunt
Hi-Z	0	0	Enable
DN / DP	0	1	Enable
AUDN / AUDP	1	0	Disable
HDN / HDP	1	1	Enable

SIMPLIFIED BLOCK DIAGRAM

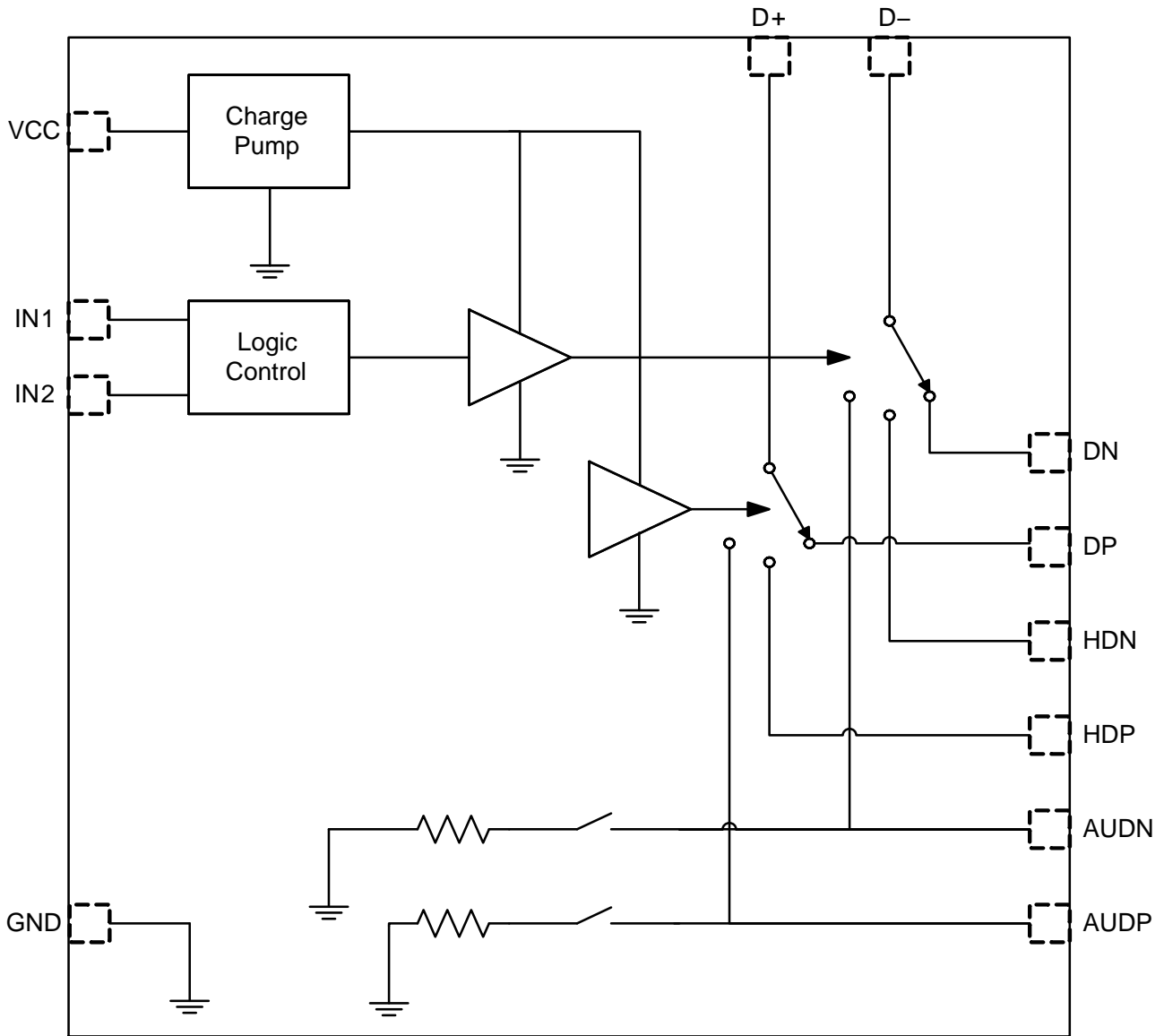


Figure 2. Simplified Block Diagram

NCN1188

PIN DIAGRAM

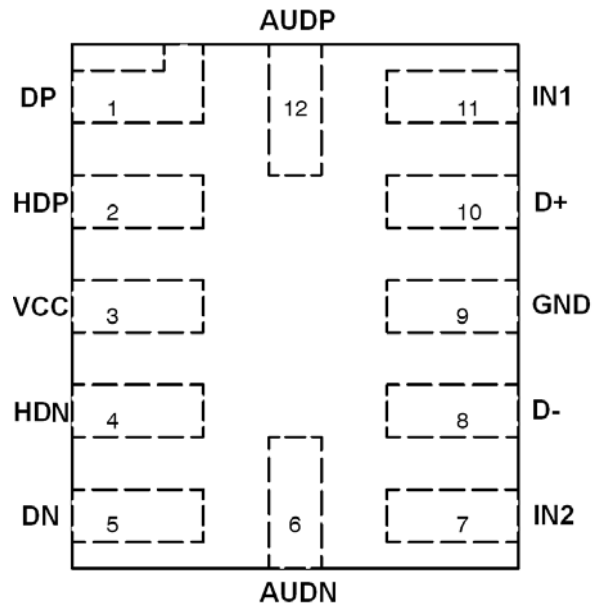


Figure 3. Pin Assignments (Top View)

PIN DESCRIPTION

Name	Pin	Description
DP	1	USB Positive Path. If active, this pin is connected to D+ pin.
HDP	2	HD Positive Path. If active, this pin is connected to D+ pin.
VCC	3	Analog Supply. This pin is the analog and digital supply of the device. A 100 nF ceramic capacitor or larger must bypass this input to the ground. This capacitor should be placed as close a possible to this input.
HDN	4	HD Negative Path. If active, this pin is connected to D– pin.
DN	5	USB Negative Path. If active, this pin is connected to D– pin.
AUDN	6	Audio N. If active, this pin is connected to D– pin.
IN2	7	Input Selection 2. Do not float this pin.
D–	8	Negative data line. Must be connected to the D– pin of USB receptacle.
GND	9	Ground Reference. Must be connected to the system ground.
D+	10	Positive data line. Must be connected to the D+ pin of USB receptacle.
IN1	11	Input Selection 1. Do not float this pin.
AUDP	12	Audio P. If active, this pin is connected to D+ pin.

MAXIMUM RATINGS (Note 1)

Rating	Symbol	Value	Unit
Maximum Supply Voltage Range on VCC pin	V _{CCMAX}	- 0.3 to 6.0	V
Maximum Analog Signal Voltage Range on DN, DP, HDN, HDP pins	V _{ISMAX}	- 0.3 to 5.5	V
Maximum Analog Signal Voltage Range on D+, D- pins	V _{COMMAX}	- 2.5 to 5.5	V
Maximum Analog Signal Voltage Range on IN1, IN2 pins	V _{IOMAX}	-0.3 to V _{CC} + 0.3	V
Maximum Analog Signal Voltage Range on AUDN, AUDP pins	V _{AUDMAX}	-2.5 to V _{CC} + 0.3	V
Latch up Current (Note 2)	I _{LU}	±100	mA
Human Body Model (HBM) ESD Rating (Note 3)	ESD HBM	4000	V
Machine Model (MM) ESD Rating (Note 3)	ESD MM	100	V
Maximum Junction Temperature	T _{JMAX}	+150	°C
Storage Temperature Range	T _{STG}	-55 to + 150	°C
Moisture Sensitivity (Note 4)	MSL	Level 1	

Stresses exceeding those listed in the Maximum Ratings table may damage the device. If any of these limits are exceeded, device functionality should not be assumed, damage may occur and reliability may be affected.

- Maximum electrical ratings are defined as those values beyond which damage to the device may occur at T_A = 25°C.
- Latch up Current Maximum Rating: ±100 mA per JEDEC standard: JESD78.
- This device series contains ESD protection and passes the following tests:
Human Body Model (HBM) ±4.0 kV per JEDEC standard: JESD22-A114 for all pins.
Machine Model (MM) ±100 V per JEDEC standard: JESD22-A115 for all pins.
- Moisture Sensitivity Level (MSL): 1 per IPC/JEDEC standard: J-STD-020A.

RECOMMENDED OPERATING CONDITIONS

Symbol	Parameter	Conditions	Min	Typ	Max	Unit
--------	-----------	------------	-----	-----	-----	------

VOLTAGE RANGES

V _{CC}	VCC pin operating range		2.7	-	5.5	V
V _{IS}	Analog Signal Voltage range (Note 5)	High Speed Data Audio	0 -2.0	- -	3.7 2.0	V

TEMPERATURE RANGES

T _A	Operating Ambient Temperature		-40	-	85	°C
T _J	Operating Junction Temperature		-40	-	125	°C

- If the audio channel is not in use, it is recommended that no signals are applied on the audio inputs AUDN and AUDP

ELECTRICAL CHARACTERISTICS

Min and Max limits apply for T_A from -40°C to +85°C (unless otherwise noted). Typical values are referenced to V_{CC} = 3.6 V, T_A = +25°C (unless otherwise noted).

Symbol	Parameter	Conditions	Min	Typ	Max	Unit
--------	-----------	------------	-----	-----	-----	------

CURRENT CONSUMPTION

I _{CC}	Product Supply Current	V _{CC} = 4.2 V, I _{IS} = 0	-	23	35	µA
-----------------	------------------------	--	---	----	----	----

CONTROL LOGIC (IN1, IN2 pins)

V _{IL}	Low Voltage Input Threshold	V _{CC} = 2.7 V V _{CC} = 3.6 V V _{CC} = 4.2 V	- - -	- - -	0.4 0.4 0.4	V
V _{IH}	High Voltage Input Threshold	V _{CC} = 2.7 V V _{CC} = 3.6 V V _{CC} = 4.2 V	1.3 1.4 1.5	- - -	- - -	V
V _{IHYS}	Voltage Input Hysteresis		-	250	-	mV
I _{IN}	Leakage Current		-	-	±100	nA

NCN1188

ELECTRICAL CHARACTERISTICS

Min and Max limits apply for T_A from -40°C to $+85^{\circ}\text{C}$ (unless otherwise noted). Typical values are referenced to $V_{CC} = 3.6\text{ V}$, $T_A = +25^{\circ}\text{C}$ (unless otherwise noted).

Symbol	Parameter	Conditions	Min	Typ	Max	Unit
--------	-----------	------------	-----	-----	-----	------

DATA SWITCHES DC CHARACTERISTICS

R_{ON}	On Resistance	$V_{CC} = 3.0\text{ V}$ V_{IS} from 0 V to 2.4 V, $I_{IS} = 15\text{ mA}$	–	5	7.5	Ω
R_{ON_MAT}	On Resistance Matching	$V_{CC} = 3.0\text{ V}$ V_{IS} from 0 V to 1.7 V, $I_{IS} = 15\text{ mA}$	–	0.09	–	Ω
R_{ON_FLT}	On Resistance Flatness	$V_{CC} = 3.0\text{ V}$ V_{IS} from 0 V to 1.7 V, $I_{IS} = 15\text{ mA}$	–	0.06	–	Ω
I_{SW_OFF}	Off State Leakage	$V_{CC} = 3.6\text{ V}$ V_{IS} From 0 V to 3.6 V	–	–	200	nA
I_{SW_ON}	On State Leakage	$V_{CC} = 3.6\text{ V}$ V_{IS} From 0 V to 3.6 V	–	–	± 200	nA

DATA SWITCHES AC CHARACTERISTICS

C_{ON}	Equivalent On Capacitance	Switch ON, $f = 1\text{ MHz}$	–	4.5	–	pF
C_{OFF}	Equivalent Off Capacitance	Switch OFF, $f = 1\text{ MHz}$	–	3	–	pF
D_{IL}	Differential Insertion Loss	$f = 10\text{ MHz}$ $f = 800\text{ MHz}$ $f = 1.1\text{ GHz}$	–	–0.5 –1.8 –2.1	–	dB
D_{ISO}	Differential Off Isolation	$f = 10\text{ MHz}$ $f = 800\text{ MHz}$ $f = 1.1\text{ GHz}$	–	–53 –19 –18	–	dB
D_{CTK}	Differential Crosstalk	$f = 10\text{ MHz}$ $f = 800\text{ MHz}$ $f = 1.1\text{ GHz}$	–	–55 –20 –18	–	dB
$PSRR_{SW}$	Power Supply Ripple Rejection	From V_{CC} onto D+ / D– $f = 217\text{ Hz}$, $R_L = 50\ \Omega$	–	90	–	dB

AUDIO SWITCHES DC CHARACTERISTICS

R_{ON}	On Resistance	$V_{CC} = 3.0\text{ V}$ V_{IS} from -2.0 V to 2.0 V , $I_{IS} = 50\text{ mA}$	–	3	5	Ω
R_{ON_MAT}	On Resistance Matching	$V_{CC} = 3.0\text{ V}$ V_{IS} from -2.0 V to 2.0 V , $I_{IS} = 50\text{ mA}$	–	0.04	–	Ω
R_{ON_FLT}	On Resistance Flatness	$V_{CC} = 3.0\text{ V}$ V_{IS} from -2.0 V to 2.0 V , $I_{IS} = 50\text{ mA}$	–	0.02	–	Ω
R_{SH}	Shunt Resistance	$V_{CC} = 3.6\text{ V}$	–	125	200	Ω

AUDIO SWITCHES AC CHARACTERISTICS

THD_{AUD}	Audio THD	From 20 Hz to 20 kHz $V_{IS} = 0.4\text{ V}_{RMS}$, DC bias = 0V, Load = $16\ \Omega$	–	0.01	–	%
$PSRR_{AUD}$	Power Supply Ripple Rejection	From V_{CC} onto AUDN / AUDP $f = 217\text{ Hz}$, $R_L = 16\ \Omega$	–	90	–	dB

NCN1188

ELECTRICAL CHARACTERISTICS

Min and Max limits apply for T_A from -40°C to $+85^{\circ}\text{C}$ (unless otherwise noted). Typical values are referenced to $V_{CC} = 3.6\text{ V}$, $T_A = +25^{\circ}\text{C}$ (unless otherwise noted).

Symbol	Parameter	Conditions	Min	Typ	Max	Unit
SWITCHES TIMING CHARACTERISTICS						
t_{PD}	Propagation Delay	(Notes 6 and 7)	–	0.25	–	ns
t_{ON}	Turn On Time	$V_{IS} = 1\text{ V}$, $R_L = 50\ \Omega$, $C_L = 7\text{ pF}$ (fixture only)	–	2.2	–	μs
t_{OFF}	Turn Off Time	$V_{IS} = 1\text{ V}$, $R_L = 50\ \Omega$, $C_L = 7\text{ pF}$ (fixture only)	–	67	–	ns
t_{b-b}	Bit-to-Bit Skew	Within the same differential channel	–	5	–	ps
t_{ch-ch}	Channel-to-Channel Skew	Maximum skew between all channels	–	15	–	ps

6. Specification guarantee by design

7. No other delays than the RC network formed by the load resistance and the load capacitance of the switch are added on the bus. For a 10 pF load, this delay is 5 ns which is much smaller than rise and fall time of typical driving systems. Propagation delays on the bus are determined by the driving circuit on the driving side and its interactions with the load of the driven side.

TABLE OF GRAPHS

Symbol	Parameter	Figure	
1080pEYE	MHL Video Eye Diagram at 3 Gbps (1080p)	4	
720pEYE 1080iEYE	MHL Video Eye Diagram at 2.25 Gbps (720p, 1080i)	5	
USB2.0EYE	USB 2.0 High Speed 480 Mbps Eye Diagram	6, 7	
USB1.1EYE	USB 1.1 Full Speed 12 Mbps Eye Diagram	8, 9	
USB1.0EYE	USB 1.0 Low Speed 1.5 Mbps Eye Diagram	10, 11	
I_{CC}	Product Supply Current	vs. V_{CC}	12
R_{ON}	Data Path On Resistance	vs. V_{IS}	13
D_{IL}	Data Switch Differential Insertion Loss	vs. Frequency	14
D_{ISO}	Data Switch Differential Off Isolation	vs. Frequency	15
D_{CTK}	Data Switch Differential Crosstalk	vs. Frequency	16
R_{ON}	Audio Path On Resistance	vs. V_{IS}	17
THD_{AUD}	Audio THD	vs. Frequency	18

TYPICAL OPERATING CHARACTERISTICS

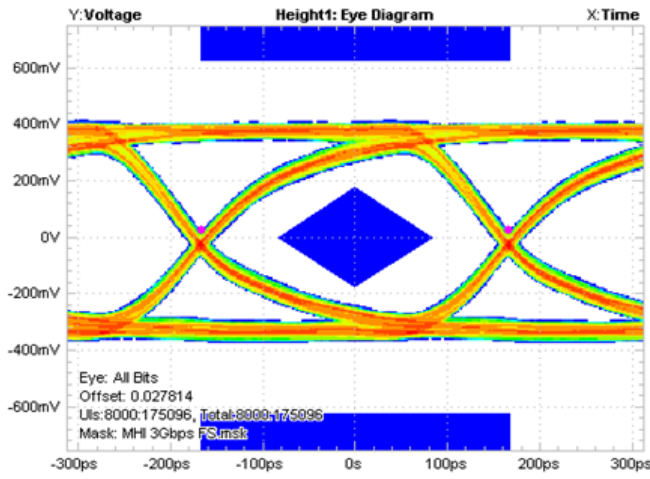


Figure 4. MHL Video Eye Diagram at 3 Gbps (1080p)

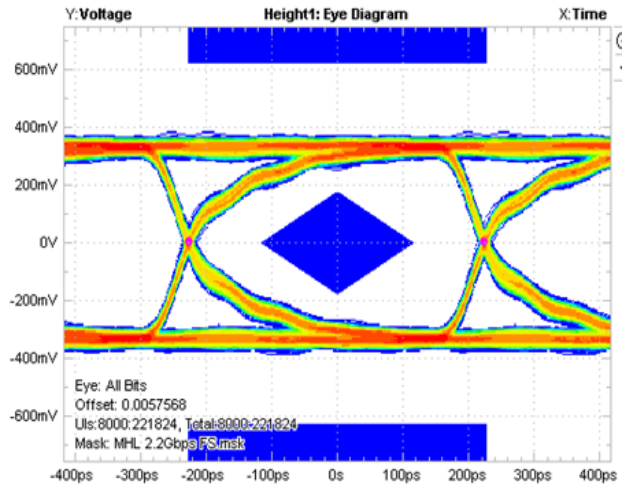


Figure 5. MHL Video Eye Diagram at 2.25 Gbps (720p, 1080i)

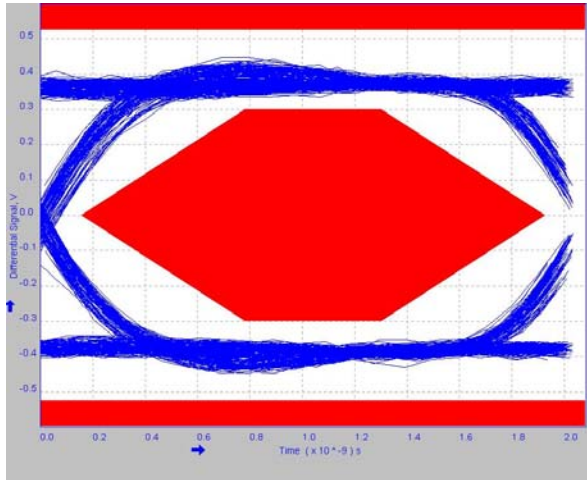


Figure 6. USB 2.0 High Speed Eye Diagram

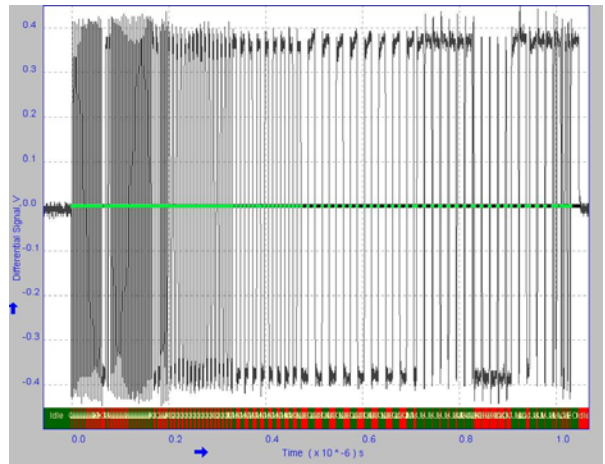


Figure 7. USB 2.0 High Speed Pattern

TYPICAL OPERATING CHARACTERISTICS

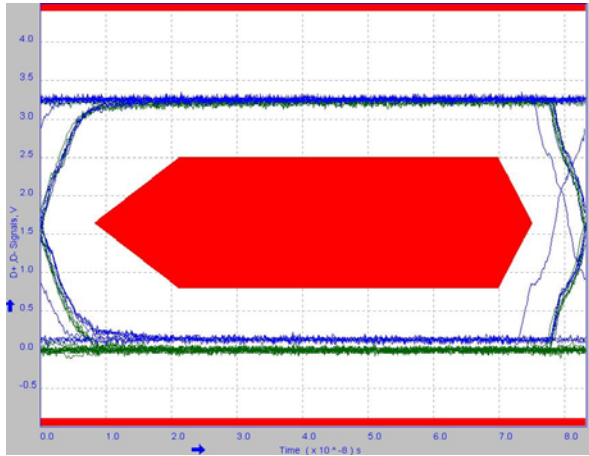


Figure 8. USB 1.1 Full Speed Eye Diagram

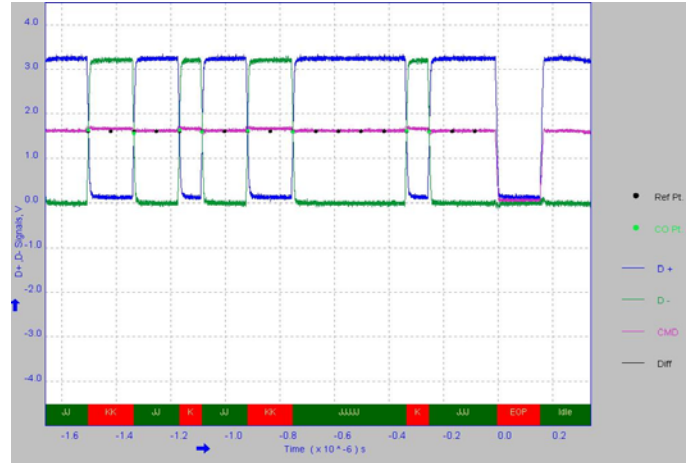


Figure 9. USB 1.0 Full Speed Pattern

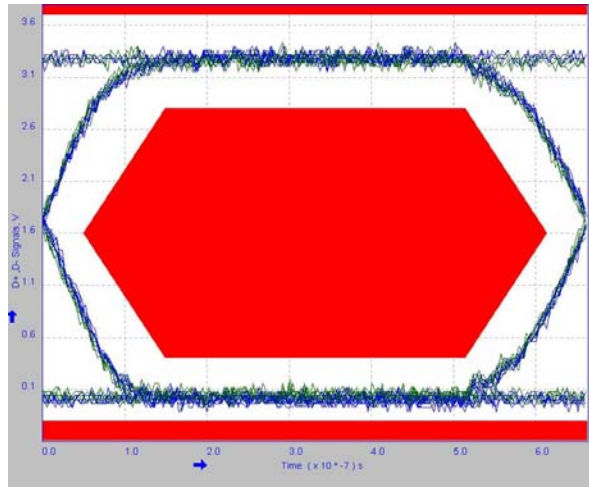


Figure 10. USB 1.0 Low Speed Eye Diagram

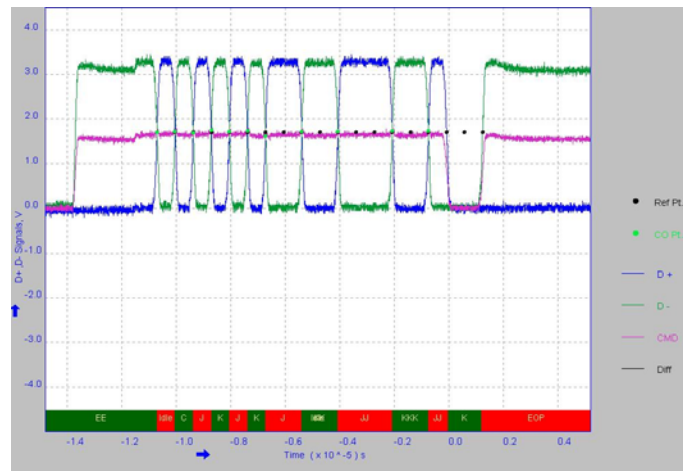


Figure 11. USB 1.0 Low Speed Pattern

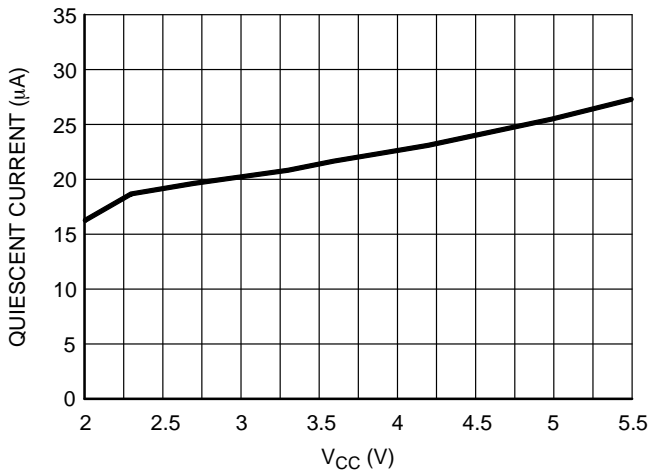


Figure 12. Product Supply Current

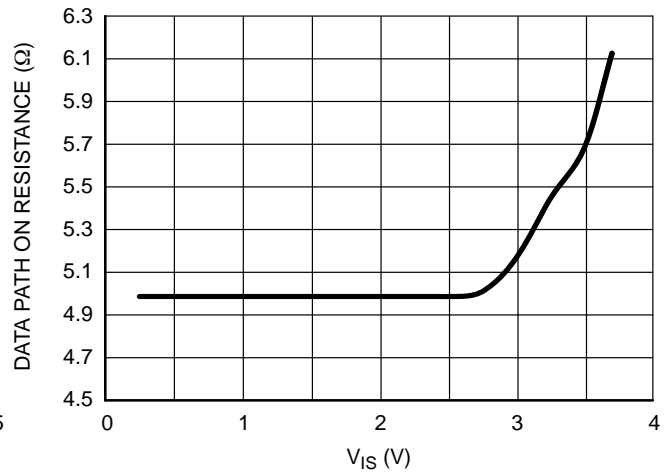


Figure 13. Data Path On Resistance

TYPICAL OPERATING CHARACTERISTICS

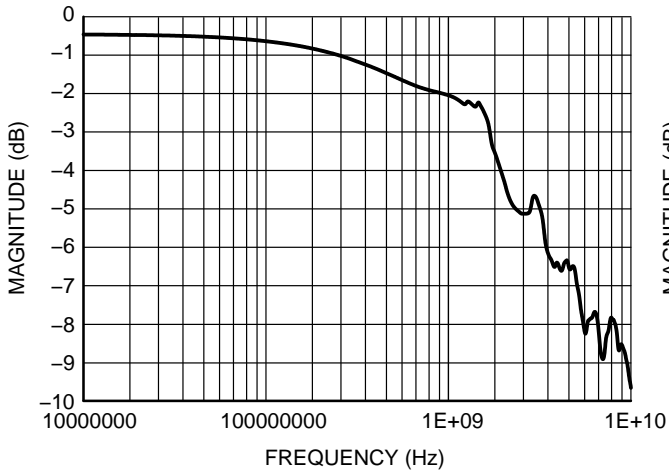


Figure 14. Data Switch Differential Insertion Loss

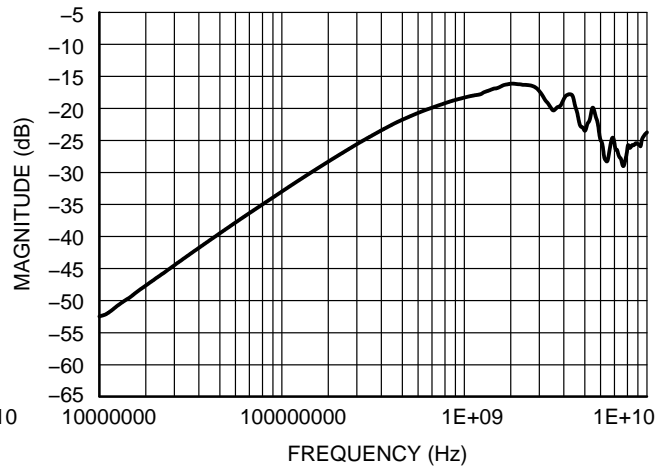


Figure 15. Data Switch Differential Off Isolation

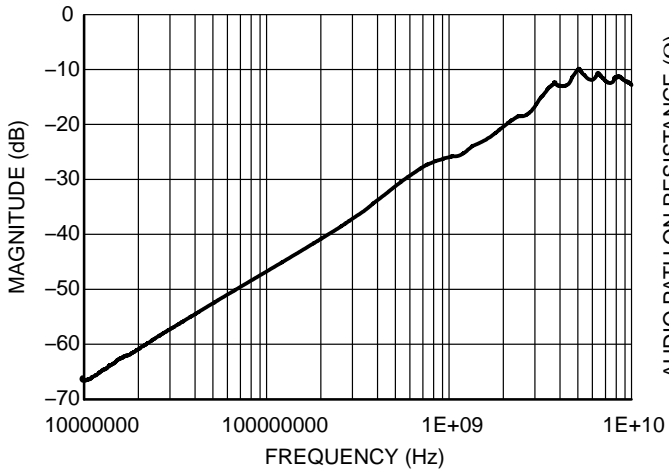


Figure 16. Data Switch Differential Crosstalk

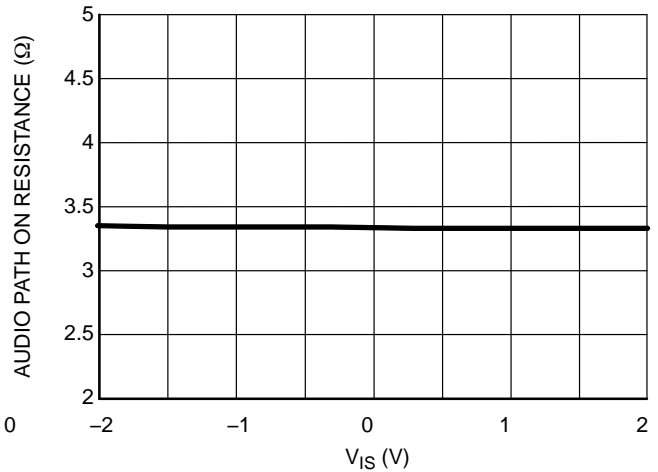


Figure 17. Audio Path On Resistance

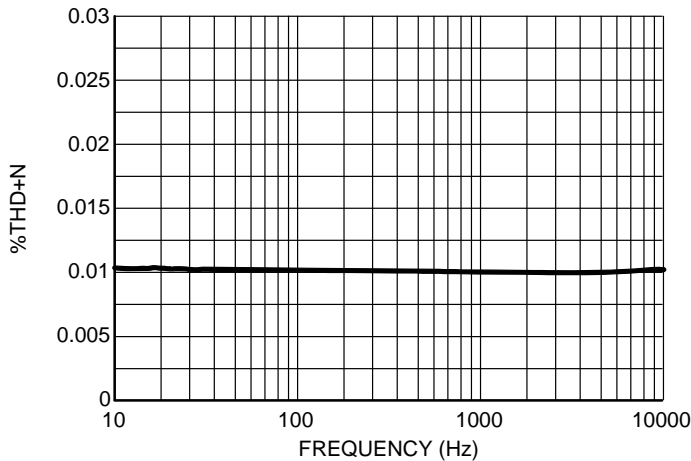


Figure 18. Audio THD

PARAMETER MEASUREMENT INFORMATION

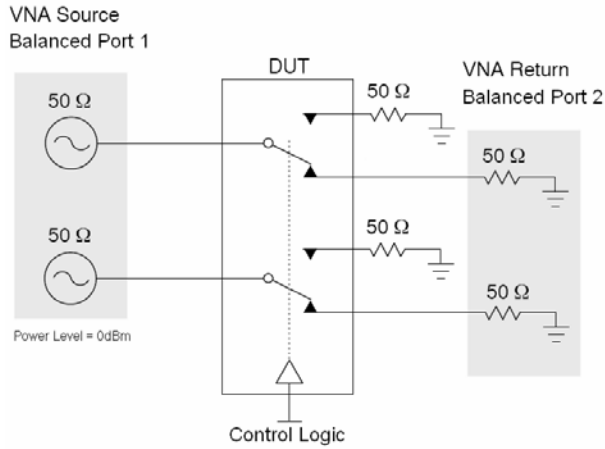


Figure 19. Differential Insertion Loss (S_{DD21})

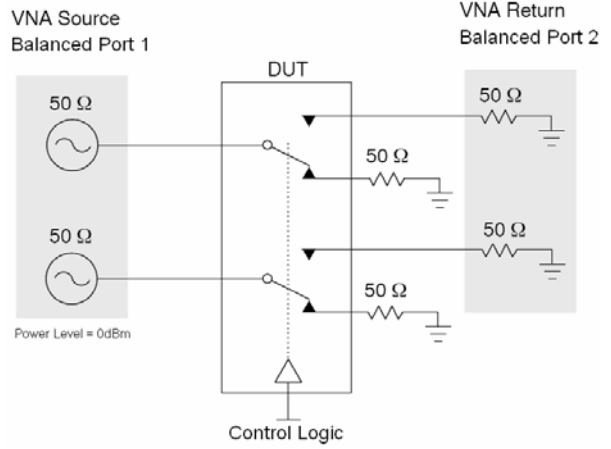


Figure 20. Differential Off Isolation (S_{DD21})

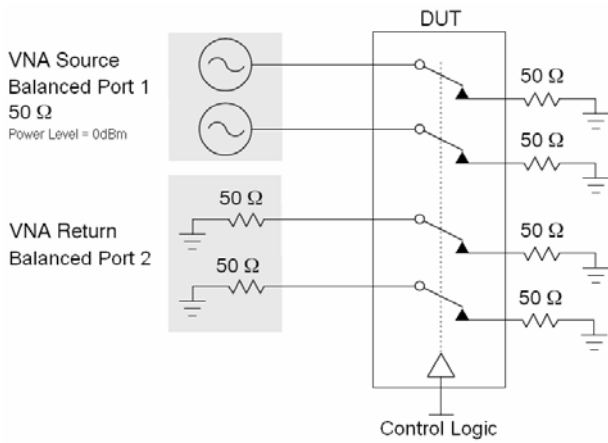
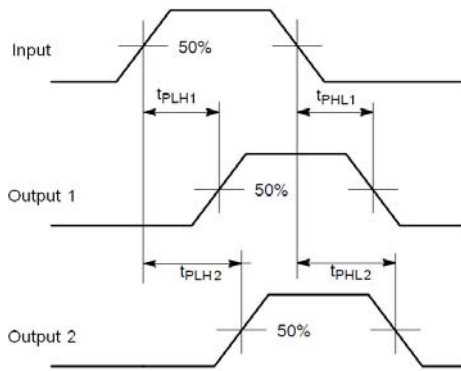


Figure 21. Differential Crosstalk (S_{DD21})



$$t_{skew} = |t_{PLH1} - t_{PLH2}| \text{ or } |t_{PHL1} - t_{PHL2}|$$

Figure 22. Bit-to-bit and Channel-to-channel Skew

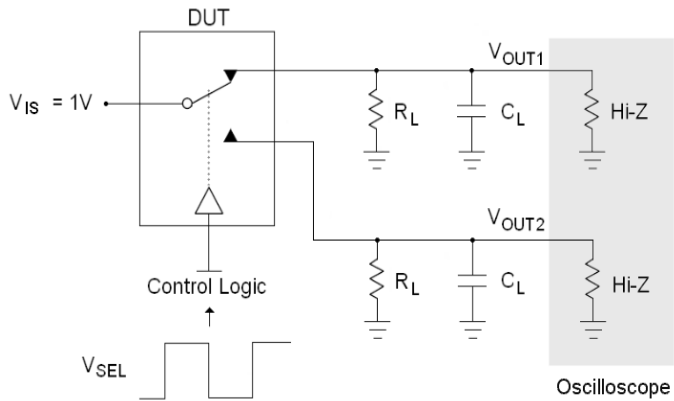


Figure 23. t_{ON} and t_{OFF}

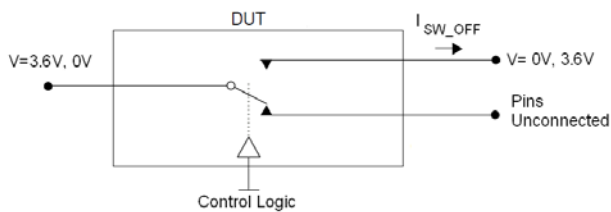
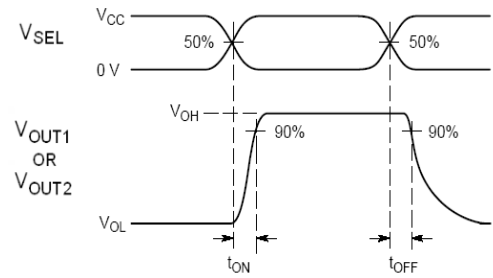


Figure 24. Off State Leakage

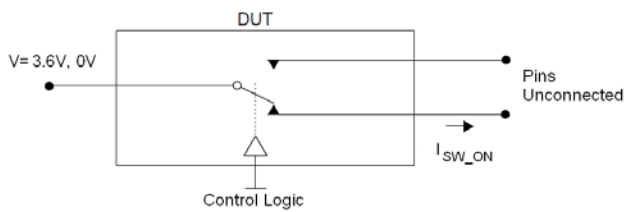


Figure 25. On State Leakage

DETAILED APPLICATION

The NCN1188 voltage range and high bandwidth performance permits switching between audio, video and data signals on a portable device. It allows D+ and D- data pins of a single USB connector to be used for many different functions as pictured by Figure 1:

- USB 2.0 data transfer with backward compatibility to USB 1.1 and USB 1.0
- MHL high definition video transfer up to 3 Gbps for 1080p resolutions
- Audio headset with negative voltage capability to connect true ground audio amplifier
- UART to address programming and testing in factory
- Any other analog or digital data sources within the recommended operating conditions

Figures 26 and 27 detail two design examples with different switching combinations using NCN1188.

In the first example shown in Figure 26, the device is directly supplied from a single Li-Ion battery, typically

from 3.0 V to 4.2 V. The NCN1188 switch connects a 5-pin micro-USB connector to a Communication Processor, an MHL Application Processor, and the Audio Management IC headphone amplifier. Each function is active pending on power management IC accessory detection to control IN1 and IN2. This decision is usually made on the D-, D+, and ID pins to detect and differentiate accessory types such as USB cable, USB to HDMI MHL cable and micro-USB stereo headset.

For solutions related to portable devices accessory detection, contact your ON Semiconductor Field Applications Engineer.

The USB 3.0 Micro-B receptacle may be considered a combination of the USB 2.0 Micro-B interface and USB 3.0 SuperSpeed contacts and maintains backward compatibility with USB 2.0 Micro-B plugs. As a consequence, the NCN1188's USB 2.0 capability is fully compatible to the USB 3.0 Micro-B receptacle, as well as USB 2.0 accessories.

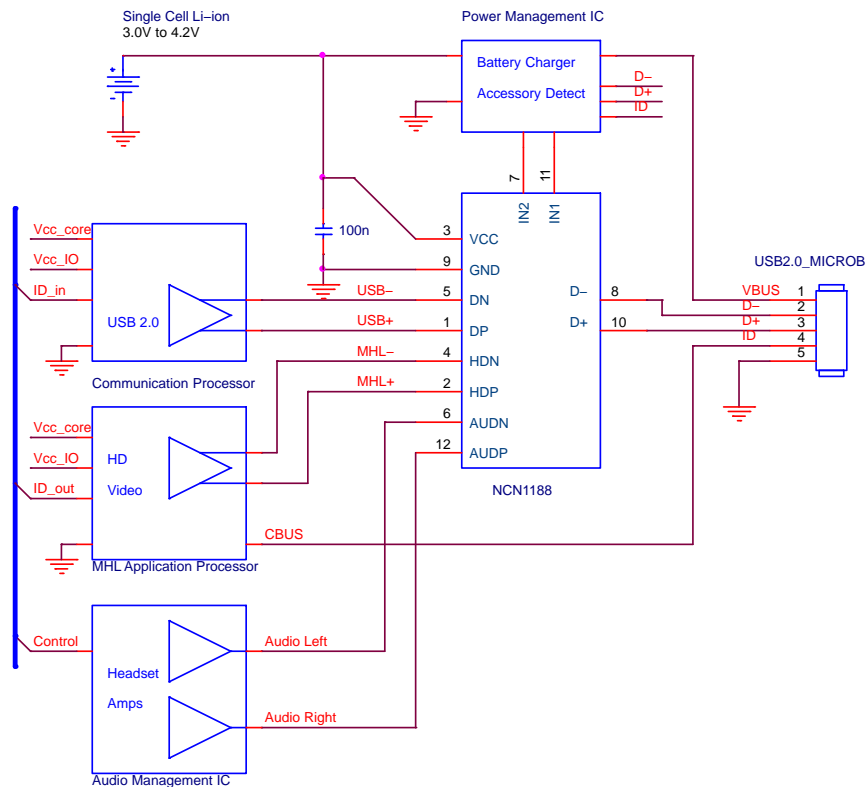


Figure 26. Schematic Example for USB 2.0, MHL, and Audio Combination; NCN1188 being supplied from battery

NCN1188

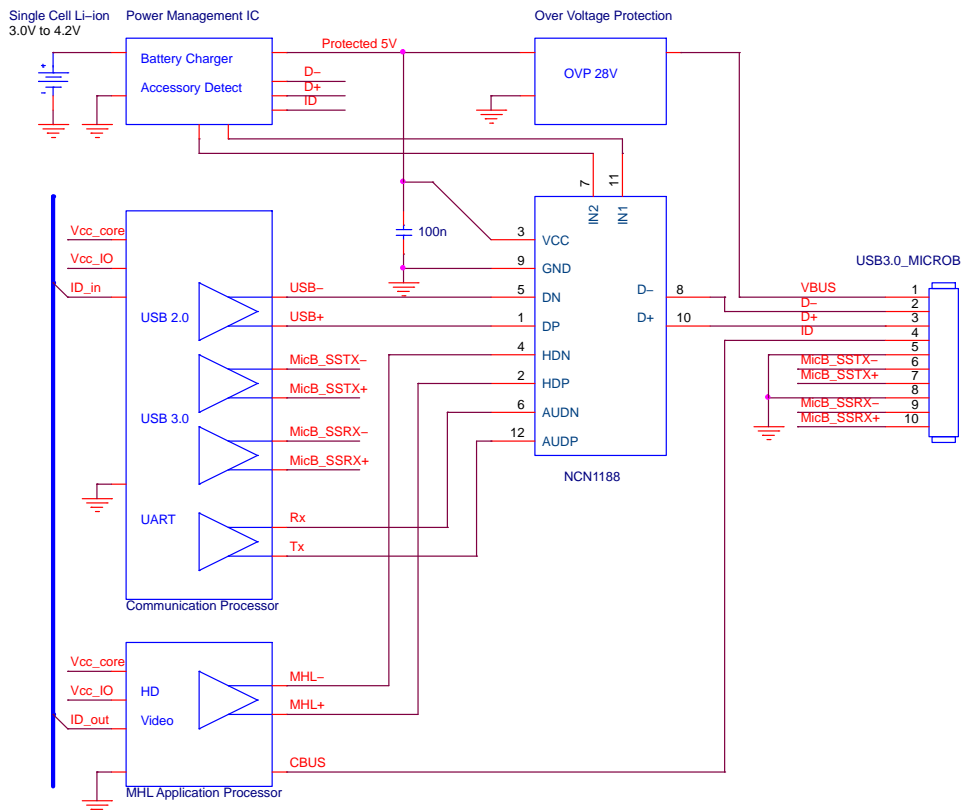


Figure 27. Schematic Example for USB 2.0, MHL, and UART Combination; NCN1188 Being Supplied by Protected VBUS 5 V

In this second design proposal, as NCN1188 must be active only when VBUS accessories are connected (USB cable, UART cable and MHL cable), the device is supplied from a protected VBUS 5 V. This design arrangement limits the system's overall quiescent current and saves battery life. Figure 27 also pictures NCN1188 around a USB 3.0 Micro-B topology: USB 2.0, UART and MHL Video pairs remain multiplexed with D- and D+ while the two USB 3.0 differential pairs are directly connected to the main communication processor.

Pull-down resistors of 1 MΩ down to 100 kΩ can optionally be added on the D- and D+ I/Os for preventing eventual floating voltage situation on the NCN1188. This is not systematically necessary and has to be considered in regards to the application.

The flexibility of the NCN1188 offers many extra application and design combinations.

PCB DESIGN PROCEDURE

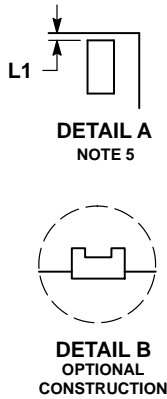
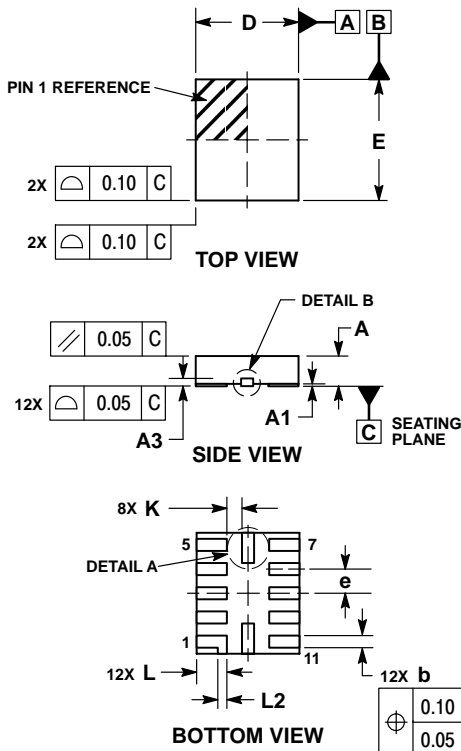
Implementing a high speed device requires careful design of signal traces to preserve signal integrity. The following electrical layout guidelines are basic rules to follow when designing boards capable of high speed transmission.

- The bypass capacitor must be placed as close as possible to the V_{CC} input pin for noise immunity.
- The PCB should be designed to comply with the characteristic impedance requirements of MHL and USB.
- Make the signal traces as short as possible to reduce losses through the PCB. Furthermore, all corresponding D+ / D- line segment pairs should be the same length.
- The use of turns or bends to route these signals should be avoided when possible. Use 45° bends instead of 90° bends where bends are needed. The use of vias to route these signals should be avoided when possible.

NCN1188

PACKAGE DIMENSIONS

UQFN12 1.7x2.0, 0.4P CASE 523AE ISSUE A

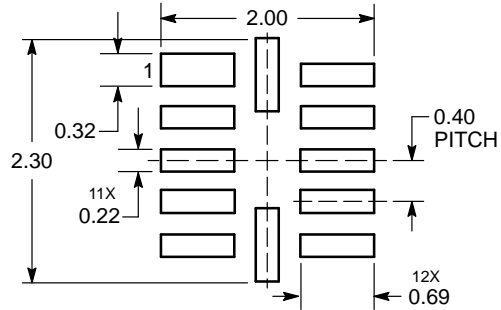


NOTES:

1. DIMENSIONING AND TOLERANCING PER ASME Y14.5M, 1994.
2. CONTROLLING DIMENSION: MILLIMETERS
3. DIMENSION b APPLIES TO PLATED TERMINAL AND IS MEASURED BETWEEN 0.15 AND 0.30 MM FROM TERMINAL TIP.
4. MOLD FLASH ALLOWED ON TERMINALS ALONG EDGE OF PACKAGE. FLASH 0.03 MAX ON BOTTOM SURFACE OF TERMINALS.
5. DETAIL A SHOWS OPTIONAL CONSTRUCTION FOR TERMINALS.

DIM	MILLIMETERS	
	MIN	MAX
A	0.45	0.55
A1	0.00	0.05
A3	0.127 REF	
b	0.15	0.25
D	1.70 BSC	
E	2.00 BSC	
e	0.40 BSC	
K	0.20	----
L	0.45	0.55
L1	0.00	0.03
L2	0.15 REF	

MOUNTING FOOTPRINT* SOLDERMASK DEFINED



DIMENSIONS: MILLIMETERS

*For additional information on our Pb-Free strategy and soldering details, please download the ON Semiconductor Soldering and Mounting Techniques Reference Manual, SOLDERRM/D.

ON Semiconductor and the are registered trademarks of Semiconductor Components Industries, LLC (SCILLC) or its subsidiaries in the United States and/or other countries. SCILLC owns the rights to a number of patents, trademarks, copyrights, trade secrets, and other intellectual property. A listing of SCILLC's product/patent coverage may be accessed at www.onsemi.com/site/pdf/Patent-Marking.pdf. SCILLC reserves the right to make changes without further notice to any products herein. SCILLC makes no warranty, representation or guarantee regarding the suitability of its products for any particular purpose, nor does SCILLC assume any liability arising out of the application or use of any product or circuit, and specifically disclaims any and all liability, including without limitation special, consequential or incidental damages. "Typical" parameters which may be provided in SCILLC data sheets and/or specifications can and do vary in different applications and actual performance may vary over time. All operating parameters, including "Typicals" must be validated for each customer application by customer's technical experts. SCILLC does not convey any license under its patent rights nor the rights of others. SCILLC products are not designed, intended, or authorized for use as components in systems intended for surgical implant into the body, or other applications intended to support or sustain life, or for any other application in which the failure of the SCILLC product could create a situation where personal injury or death may occur. Should Buyer purchase or use SCILLC products for any such unintended or unauthorized application, Buyer shall indemnify and hold SCILLC and its officers, employees, subsidiaries, affiliates, and distributors harmless against all claims, costs, damages, and expenses, and reasonable attorney fees arising out of, directly or indirectly, any claim of personal injury or death associated with such unintended or unauthorized use, even if such claim alleges that SCILLC was negligent regarding the design or manufacture of the part. SCILLC is an Equal Opportunity/Affirmative Action Employer. This literature is subject to all applicable copyright laws and is not for resale in any manner.

PUBLICATION ORDERING INFORMATION

LITERATURE FULFILLMENT:
Literature Distribution Center for ON Semiconductor
19521 E. 32nd Pkwy, Aurora, Colorado 80011 USA
Phone: 303-675-2175 or 800-344-3860 Toll Free USA/Canada
Fax: 303-675-2176 or 800-344-3867 Toll Free USA/Canada
Email: orderlit@onsemi.com

N. American Technical Support: 800-282-9855 Toll Free
USA/Canada
Europe, Middle East and Africa Technical Support:
Phone: 421 33 790 2910
Japan Customer Focus Center
Phone: 81-3-5817-1050

ON Semiconductor Website: www.onsemi.com
Order Literature: <http://www.onsemi.com/orderlit>
For additional information, please contact your local Sales Representative

Looking for pricing, stock, or lifecycle information?

Click below to explore more details on WIN SOURCE:

 [View NCN1188MUTAG on WIN SOURCE](#)

 [ON Semiconductor](#) Information

Optimize Your Supply Chain with WIN SOURCE Solutions

-  Global Sourcing Solution
-  Obsolete Management
-  Cost Control Management
-  Shortage Management
-  Alternative Solution
-  Excess Inventory Management