



**THE DATASHEET OF**  
**440054-3**



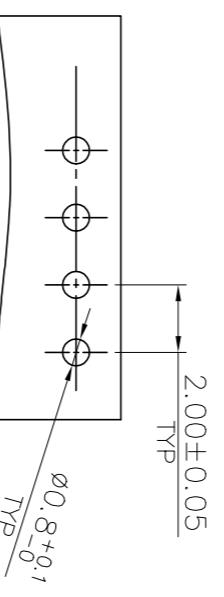
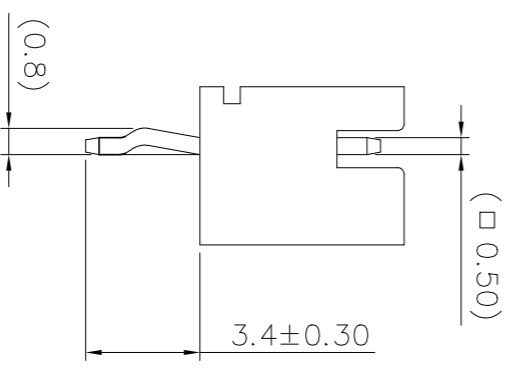
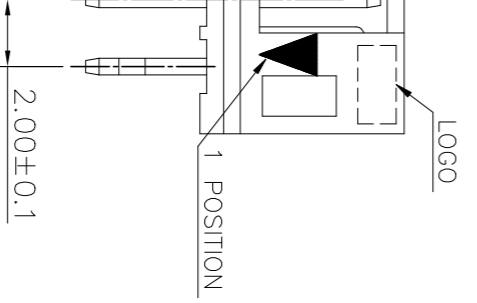
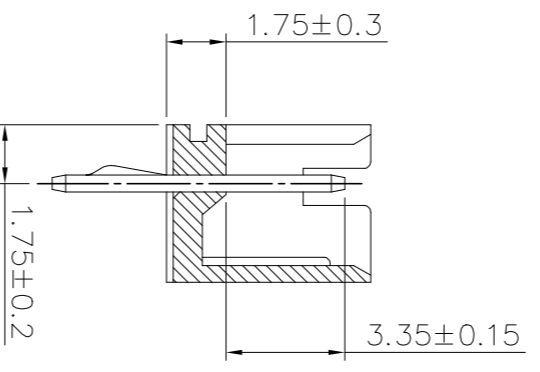
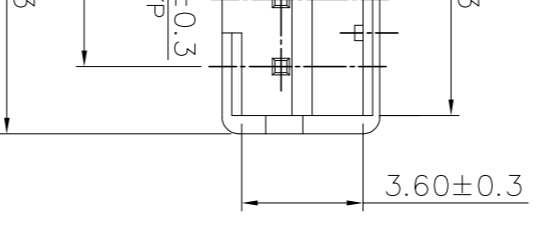


3

2

1

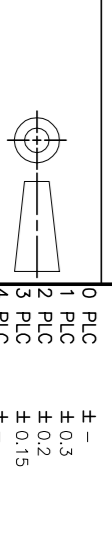
LOC		DIST		REVISIONS			
P	LTR	DESCRIPTION	DATE	DWN	APVD		
DW		SEE SHEET 1.					



RECOMMENDER PCB LAYOUT  
 (PCB THK=1.0~1.6mm)

THIS DRAWING IS A CONTROLLED DOCUMENT.

DIMENSIONS:  
 MM



MATERIAL  
 SEE NOTE (PAGE 1.)

TOLERANCES UNLESS OTHERWISE SPECIFIED:

0	PLC	± -
1	PLC	± 0.3
2	PLC	± 0.2
3	PLC	± 0.15
4	PLC	± -

FINISH ANGLES ± 3°

SEE NOTE (PAGE 1.)

POLY BAG	NATURAL WHITE	PIN 5	4P	9-440054-5
PACKAGE COLOR		PIN NUMBER LACKED	POS.	PART NUMBER

**STE** TE Connectivity

2.0 MM PITCH HPI VERTICAL POST HEADERS

NAME	SIZE	CAGE CODE	DRAWING NO	RESTRICTED TO
	A3	00779	G=440054	

CUSTOMER DRAWING

SCALE SHEET 2 OF 9 REV F6

A

B

C

D

3

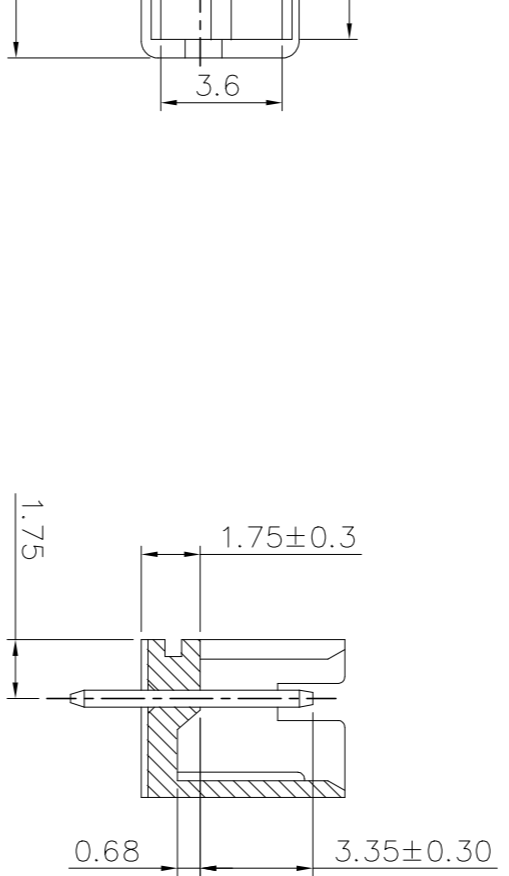
2

1

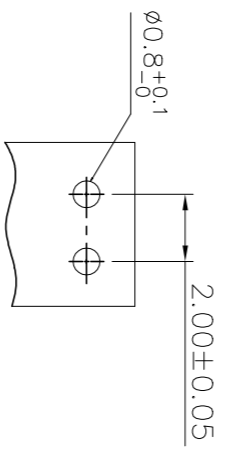
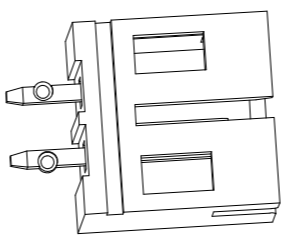
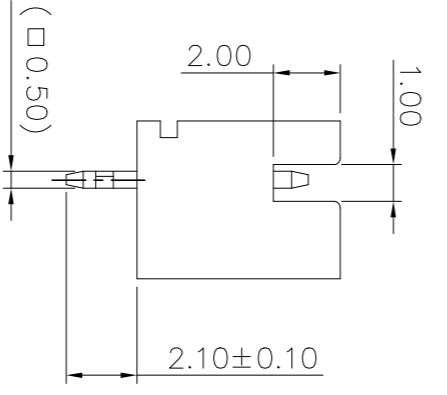
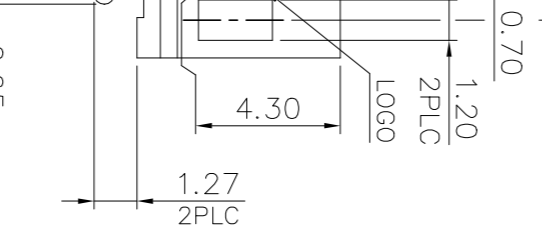
LOC	DIST
DW	

P	LTR	DESCRIPTION	DATE	DWN	APVD
		SEE SHEET 1.			

REVISIONS



SECTION M-M



RECOMMENDED PCB LAYOUT  
 (PCB THK=1.0MM~1.6MM)

POLY BAG PACKAGE	NATURAL WHITE COLOR	2P POS.	9-440054-2
------------------	---------------------	---------	------------

**STE** TE Connectivity

2.0 MM PITCH HPI VERTICAL POST HEADERS

THIS DRAWING IS A CONTROLLED DOCUMENT.

DIMENSIONS: MM  
 TOLERANCES UNLESS OTHERWISE SPECIFIED:

0	PLC	± -
1	PLC	± 0.3
2	PLC	± 0.2
3	PLC	± 0.15
4	PLC ANGLES	± 3'

MATERIAL SEE NOTE (PAGE 1.)  
 FINISH SEE NOTE (PAGE 1.)

DWN	CHK	APVD	PRODUCT SPEC	APPLICATION SPEC	WEIGHT

NAME		SIZE		SCALE	
2.0 MM PITCH HPI VERTICAL POST HEADERS		A3		-	
CAGE CODE	DRAWING NO	RESTRICTED TO			
00779	G=440054				

A B C D

3 OF 9 REV F6

3

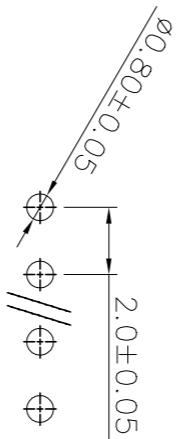
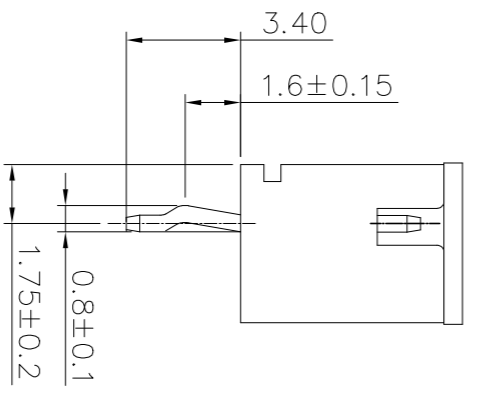
2

1

LOC	DIST
DW	

REVISIONS		DATE	DWN	APVD
P	LTR	DESCRIPTION		
		SEE SHEET 1.		

- NOTES:  
 1. MATERIAL:  
 HOUSING: NYLON 6T, UL94V-0, COLOR: SEE TABLE.  
 CONTACT: BRASS, THICKNESS=0.50mm.  
 2. FINISH:  
 2.03um[80u"] MIN. BRIGHT-TIN PLATING ON CONTACT.  
 1.27um[50u"] MIN. NICKEL ENTIRE CONTACT UNDERPLATED.  
 3. (SMT) REFLOW PROCESS NEED AFFORD 260°C.



RECOMMENDED PCB LAYOUT  
 (PCB THK=1.0MM~1.6MM)

WITHOUT	TAPE REEL	NATURAL WHITE	8.90	10.00	6.00	4P	9-440054-1
WITH	TAPE REEL	NATURAL WHITE	8.90	10.00	6.00	4P	9-440054-4
CAP	PACKAGE	COLOR	DIM. C	DIM. B	DIM. A	POS	PART NUMBER

**STE** TE Connectivity

2.0 MM PITCH HPI VERTICAL POST HEADERS

THIS DRAWING IS A CONTROLLED DOCUMENT.

DIMENSIONS: MM  
 TOLERANCES UNLESS OTHERWISE SPECIFIED:

0	PLC	± -
1	PLC	± 0.3
2	PLC	± 0.2
3	PLC	± 0.15
4	PLC ANGLES	± - ± 3'

MATERIAL SEE NOTE (PAGE 1.)  
 FINISH SEE NOTE (PAGE 1.)

DWN	CHK	APVD	PRODUCT SPEC	APPLICATION SPEC	WEIGHT

NAME	SIZE	CAGE CODE	DRAWING NO	SCALE	SHEET	OF	REV
2.0 MM PITCH HPI VERTICAL POST HEADERS	A3	00779	440054		4	9	F6
CUSTOMER DRAWING							

(0.50)

3

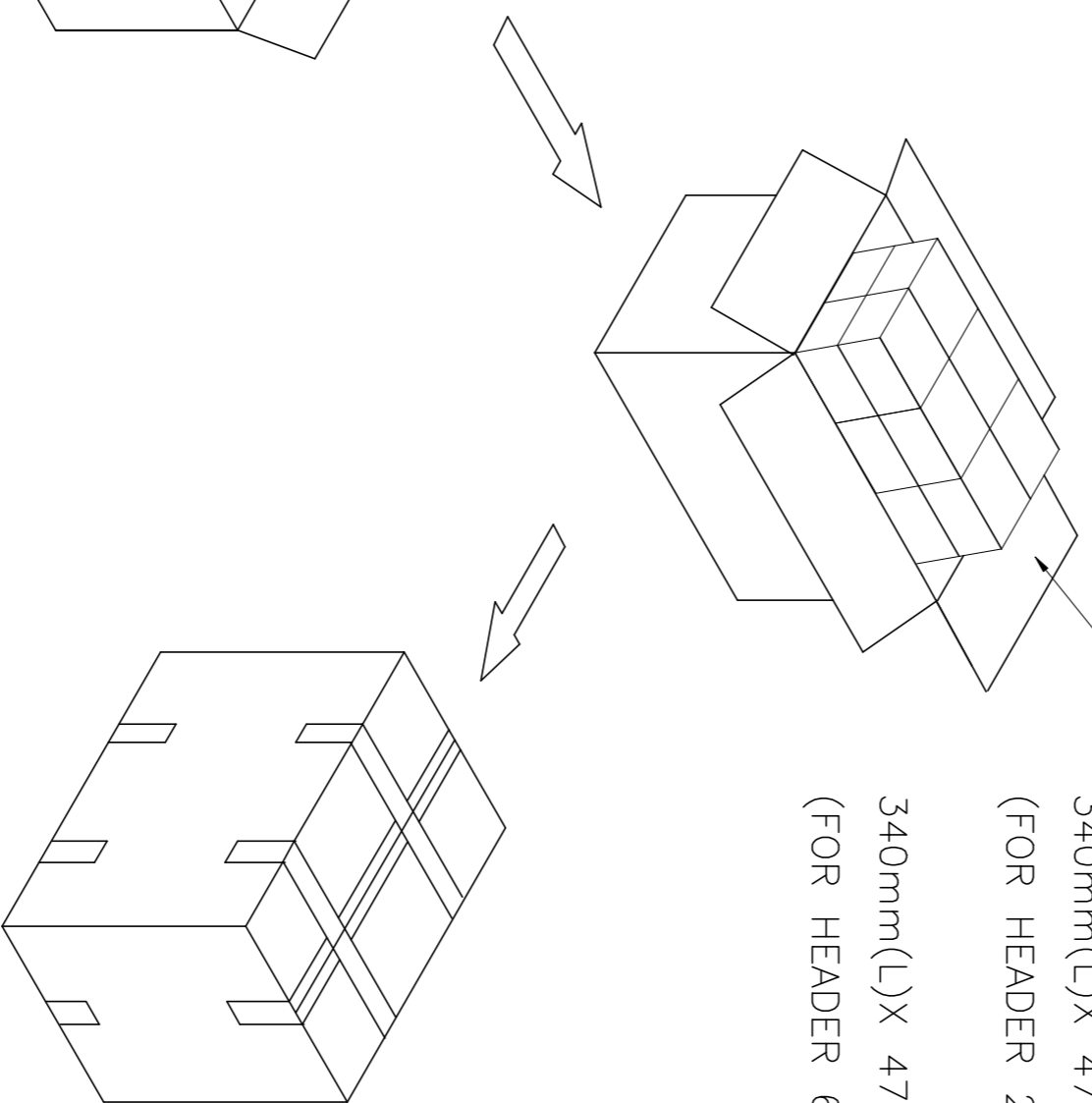
2

1

LOC	DIST	P	LTR	DESCRIPTION	DATE	DWN	APVD
DW				SEE SHEET 1.			

REVISIONS

CARTON  
 340mm(L) X 470mm(W) X 178mm(H)  
 (FOR HEADER 2P~5P ONLY)  
 340mm(L) X 470mm(W) X 365mm(H)  
 (FOR HEADER 6P~16P ONLY)



220mm(W) X 155mm(H)

17,600	550	5P	4-440054-1
18,000	11P	9-440054-3	
20,800	650	4P	3-440054-1
27,000	750	3P	440054-1
17,600	550	5P	8-440054-5
22,400	350	8P	2-440054-0
22,400	350	8P	8-440054-0
17,600	550	4P	9-440054-5
40,000	1,000	2P	9-440054-2
<del>17,600</del>	<del>550</del>	<del>5P</del>	<del>8-440054-5</del>
20,800	650	4P	8-440054-4
<del>27,000</del>	<del>750</del>	<del>3P</del>	<del>8-440054-3</del>
<del>40,000</del>	<del>1,000</del>	<del>2P</del>	<del>8-440054-2</del>
17,600	550	5P	6-440054-5
20,800	650	4P	6-440054-4
27,000	750	3P	6-440054-3
40,000	1,000	2P	6-440054-2
16,000	250	12P	7-440054-6
18,000	250	11P	7-440054-5
19,200	300	10P	7-440054-4
22,400	350	9P	7-440054-3
22,400	350	8P	7-440054-2
25,600	400	7P	7-440054-1
28,800	450	6P	7-440054-0
17,600	550	5P	4-440054-5
20,800	650	4P	4-440054-4
27,000	750	3P	4-440054-3
40,000	1,000	2P	4-440054-2
12,000	200	16P	1-440054-6
12,000	200	15P	1-440054-5
12,800	200	14P	1-440054-4
13,000	250	13P	1-440054-3
16,000	250	12P	1-440054-2
18,000	250	11P	1-440054-1
19,200	300	10P	1-440054-0
22,400	350	9P	440054-9
22,400	350	8P	440054-8
25,600	400	7P	440054-7
28,800	450	6P	440054-6
17,600	550	5P	440054-5
20,800	650	4P	440054-4
27,000	750	3P	440054-3
40,000	1,000	2P	440054-2

THIS DRAWING IS A CONTROLLED DOCUMENT.

TOLERANCES UNLESS OTHERWISE SPECIFIED:

DIMENSIONS: MM	FINISH
0 PLC	± -
1 PLC	± -
2 PLC	± -
3 PLC	± -
4 PLC ANGLES	± -

DWN	CHK
APVD	PRODUCT SPEC
APVD	APPLICATION SPEC
WEIGHT	—
CUSTOMER DRAWING	—

NAME	2.0 MM PITCH HPI VERTICAL POST HEADERS		
SIZE	CAGE CODE	DRAWING NO	RESTRICTED TO
A3	00779	G=440054	—



TE Connectivity

SCALE	SHEET	5 OF 9	REV	F6
-------	-------	--------	-----	----

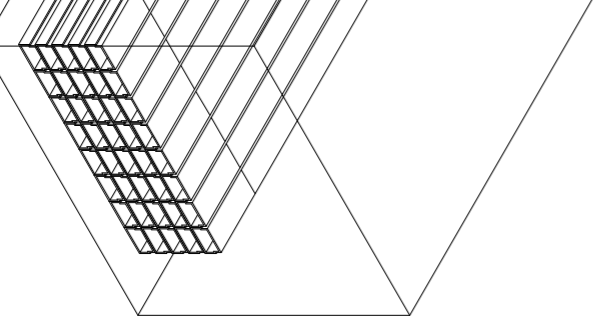
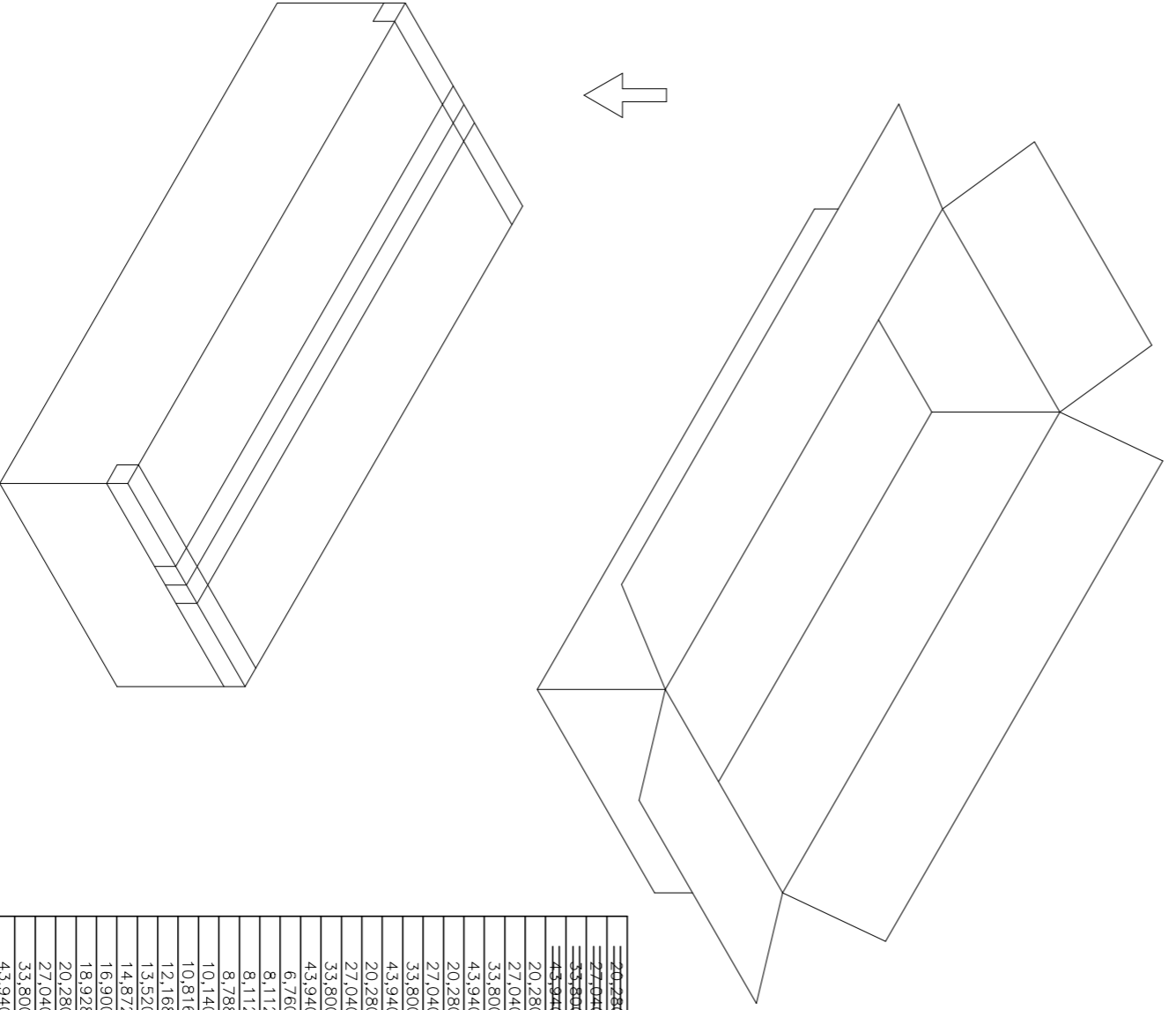
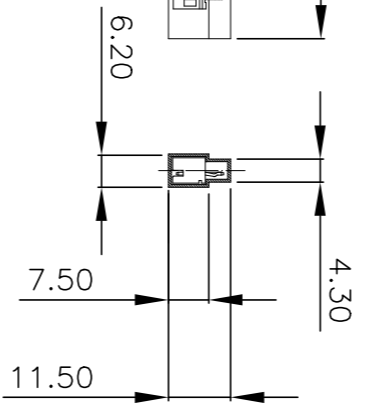
3

2

1

LOC	DIST	REVISIONS			
P	LTR	DESCRIPTION	DATE	DWN	APVD
DW		SEE SHEET 1.			

CARTON  
 470 mm(L)X 340mm(W)X 178mm(H)



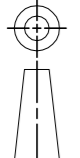
SIZE	APQ	PPQ	POS.	PART NUMBER
20,280	30	5P	8-440054-9	
27,040	40	4P	8-440054-8	
33,800	50	3P	8-440054-7	
40,560	65	2P	8-440054-6	
47,320	80	1P	8-440054-5	
20,280	30	5P	6-440054-9	
27,040	40	4P	6-440054-8	
33,800	50	3P	6-440054-7	
40,560	65	2P	6-440054-6	
47,320	80	1P	6-440054-5	
20,280	30	5P	4-440054-9	
27,040	40	4P	4-440054-8	
33,800	50	3P	4-440054-7	
40,560	65	2P	4-440054-6	
47,320	80	1P	4-440054-5	
20,280	30	5P	2-440054-9	
27,040	40	4P	2-440054-8	
33,800	50	3P	2-440054-7	
40,560	65	2P	2-440054-6	
47,320	80	1P	2-440054-5	
20,280	30	5P	5-440054-9	
27,040	40	4P	5-440054-8	
33,800	50	3P	5-440054-7	
40,560	65	2P	5-440054-6	
47,320	80	1P	5-440054-5	
20,280	30	5P	3-440054-9	
27,040	40	4P	3-440054-8	
33,800	50	3P	3-440054-7	
40,560	65	2P	3-440054-6	
47,320	80	1P	3-440054-5	
20,280	30	5P	1-440054-9	
27,040	40	4P	1-440054-8	
33,800	50	3P	1-440054-7	
40,560	65	2P	1-440054-6	
47,320	80	1P	1-440054-5	

THIS DRAWING IS A CONTROLLED DOCUMENT.

DIMENSIONS: MM

TOLERANCES UNLESS OTHERWISE SPECIFIED:

FINISH	TOLERANCE
0 PLC	± .1
1 PLC	± .1
2 PLC	± .1
3 PLC	± .1
4 PLC ANGLES	± .1



TE Connectivity

2.0 MM PITCH HPI VERTICAL POST HEADERS

DMN	CHK	APVD	NAME	SIZE	CAGE CODE	DRAWING NO	RESTRICTED TO
				A3	00779	G=440054	
PRODUCT SPEC	APPLICATION SPEC	WEIGHT	CUSTOMER DRAWING	SCALE	SHEET	6 OF 9	REV F6

ON AUG .2006.  
 ERVED.

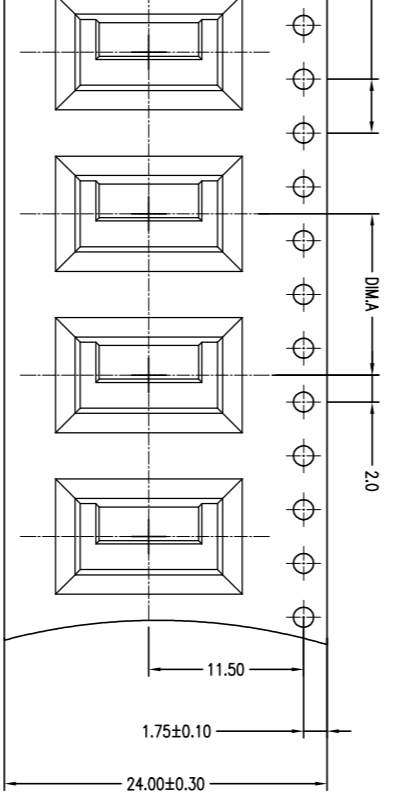
3

2

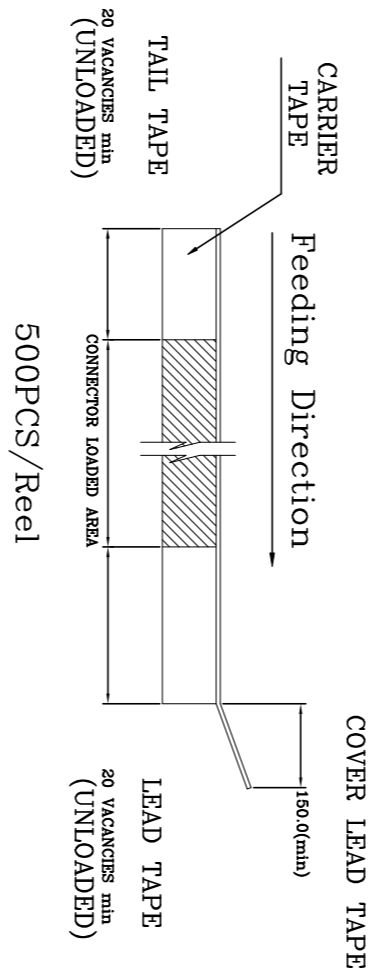
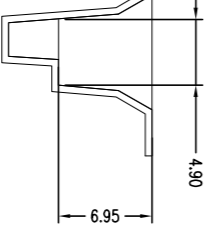
1

LOC DW  
 DIST

REVISIONS		DATE	DWN	APVD
P	LTR	DESCRIPTION		
		SEE SHEET 1.		

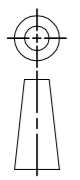


Feeding Direction →



THIS DRAWING IS A CONTROLLED DOCUMENT.

DIMENSIONS:  
 MM



TOLERANCES UNLESS OTHERWISE SPECIFIED:	
0 PLC	±
1 PLC	±
2 PLC	±
3 PLC	±
4 PLC ANGLES	±

MATERIAL

12.0	WITH	2000	500	4P	9-440054-4
DIM.A	CAP	APQ (PCS/CARTON)	PPQ (PCS/REEL)	POS.	PART NUMBER

**STE**

TE Connectivity

2.0 MM PITCH HPI VERTICAL POST HEADERS

NAME	SIZE	CAGE CODE	DRAWING NO	RESTRICTED TO
	A3	00779	440054	

DWN  
 CHK  
 APVD  
 PRODUCT SPEC  
 APPLICATION SPEC  
 WEIGHT  
 CUSTOMER DRAWING

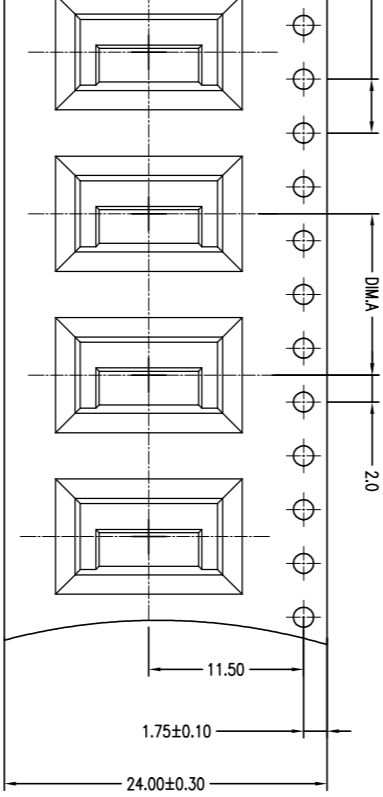
SCALE 7 OF 9 SHEET REV F6

3

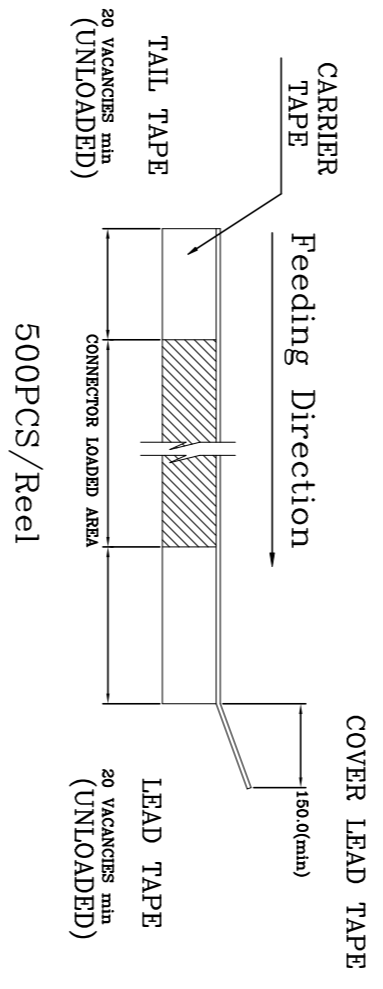
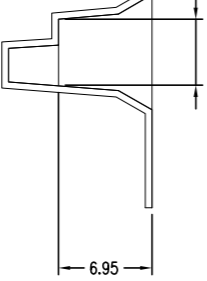
2

1

LOC	DIST	REVISIONS			
P	LTR	DESCRIPTION	DATE	DWN	APVD
DW		SEE SHEET 1.			



Feeding Direction →



THIS DRAWING IS A CONTROLLED DOCUMENT.

DIMENSIONS: MM	TOLERANCES UNLESS OTHERWISE SPECIFIED:	DWN	CUSTOMER DRAWING
0 PLC	±	CHK	
1 PLC	±	APVD	
2 PLC	±	PRODUCT SPEC	
3 PLC	±	APPLICATION SPEC	
4 PLC	±	WEIGHT	
ANGLES	±		
FINISH	±		
MATERIAL			

16.0	WITHOUT	1800	450	4P	9-440054-1
DIM.A	CAP	APQ (PCS/CARTON)	PPQ (PCS/REEL)	POS. PART NUMBER	



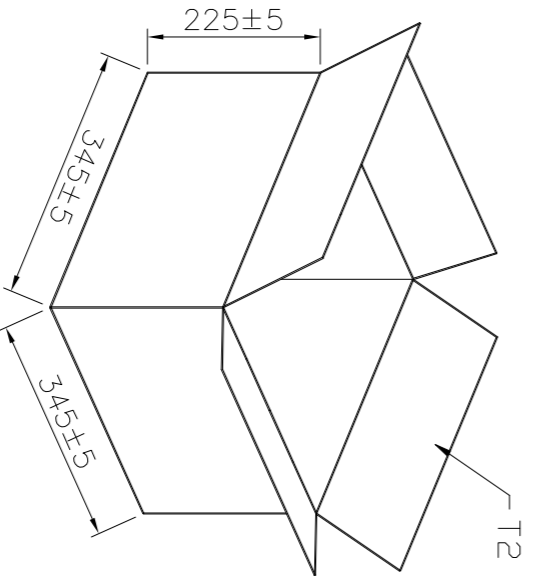
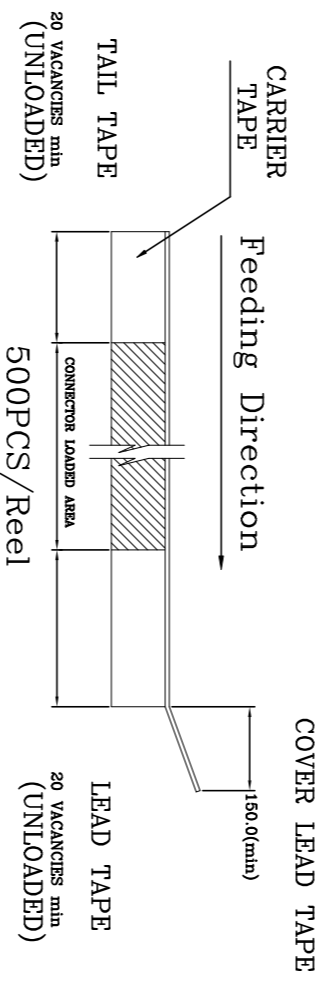
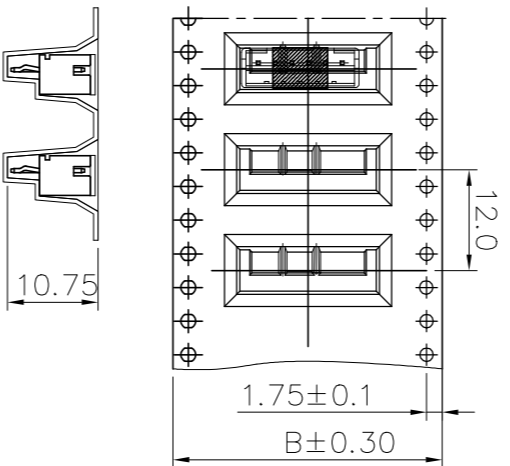
TE Connectivity

2.0 MM PITCH HPI VERTICAL POST HEADERS

NAME	SIZE	CAGE CODE	DRAWING NO	RESTRICTED TO
	A3	00779	440054	
SCALE	SHEET		REV	
	8 OF 9		F5	

LOC	DIST
DW	

REVISIONS		DATE	DWN	APVD
P	LTR	DESCRIPTION		
		SEE SHEET 1.		



H(mm)	POS	B(mm)	PCS./REEL	PCS/CARTON-T2
225	10P	44	500 PCS.	500X4=2000PCS.
125	7P	32	500 PCS.	500X3=1500PCS.

NOTE:  
 9-440054-0 10PDS WAVE SOLDER PART CAP TYPE.


32.0	1500	500	7P	9-440054-7
44.0	2000	500	10P	9-440054-0
B(mm)	APQ	PPQ	POS.	PART NUMBER
	(PCS/CARTON)	(PCS/REEL)		

**STE** TE Connectivity

THIS DRAWING IS A CONTROLLED DOCUMENT.		DWN		NAME	
DIMENSIONS: MM		CHK		2.0 MM PITCH HPI VERTICAL POST HEADERS	
TOLERANCES UNLESS OTHERWISE SPECIFIED:		APVD		SIZE	
0 PLC	±	PRODUCT SPEC		CAGE CODE	
1 PLC	±	APPLICATION SPEC.		DRAWING NO	
2 PLC	±	WEIGHT		A3 00779	
3 PLC	±	CUSTOMER DRAWING		G=440054	
4 PLC ANGLES	±			SCALE	
				SHEET 9 OF 9	
				REV F6	


## Looking for pricing, stock, or lifecycle information?

Click below to explore more details on WIN SOURCE:

 [View 440054-3 on WIN SOURCE](#)

 [TE Connectivity Information](#)

## Optimize Your Supply Chain with WIN SOURCE Solutions

-  Global Sourcing Solution
-  Obsolete Management
-  Cost Control Management
-  Shortage Management
-  Alternative Solution
-  Excess Inventory Management