



**THE DATASHEET OF
DF23C-30DP-0.5V(92)**



| COUNT | DESCRIPTION OF REVISIONS | BY | CHKD | DATE | COUNT | DESCRIPTION OF REVISIONS | BY | CHKD | DATE |
|-------|--------------------------|----------|------|-----------|-------|--------------------------|----|------|------|
| 1 | RE-H-05790 | F.M.K.A. | | '03.09.19 | | | | | |
| 3 | RE-H-05963 | T.Y.T.S. | | '03.12.12 | | | | | |

Fig.1 : RECOMMENDED PATTERN Fig.2 : PLATING SPECIFICATION (40:1)

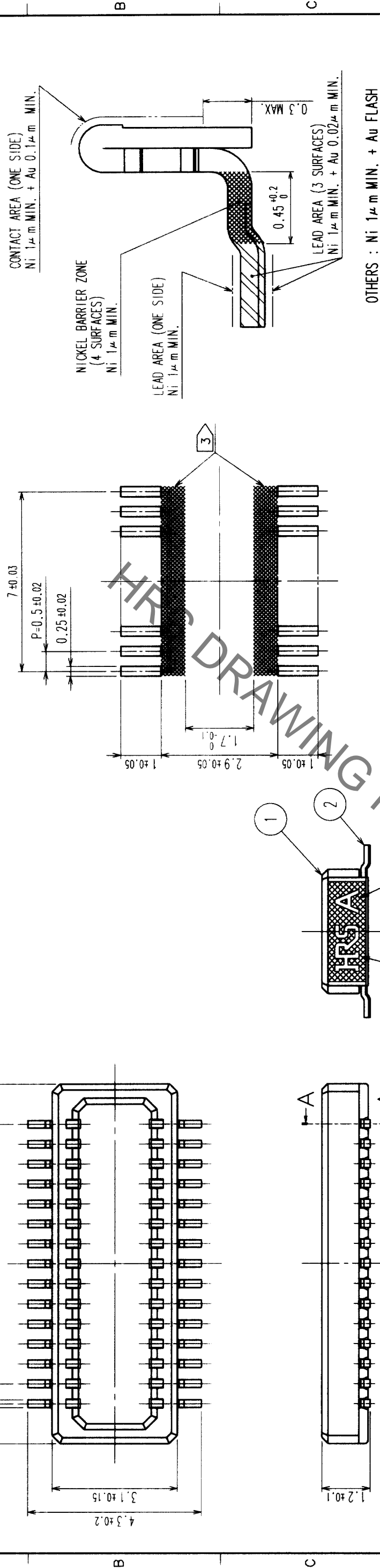


Fig.3 : A-A CROSS SECTION VIEW

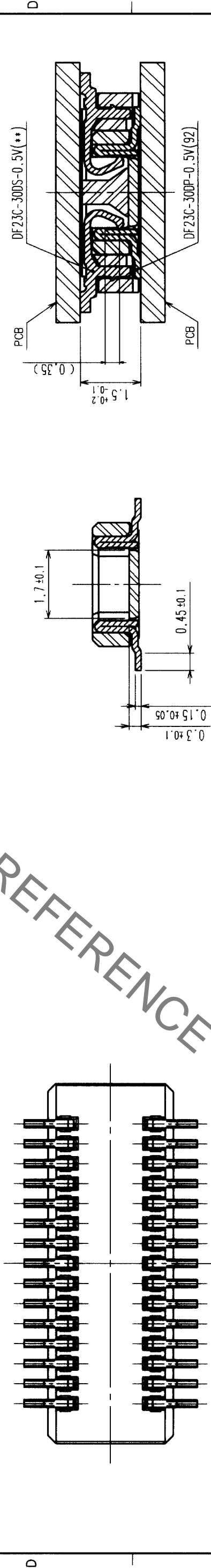
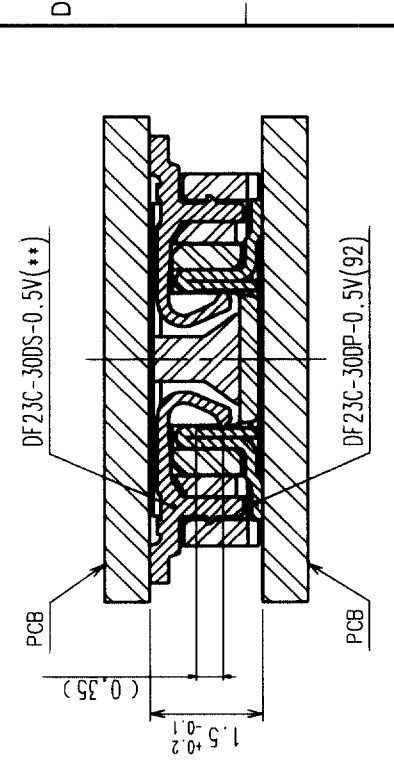


Fig.4 : MATING VIEW



NOTES 1 LEAD CO-PLANARITY SHALL BE 0.1mm MAX.

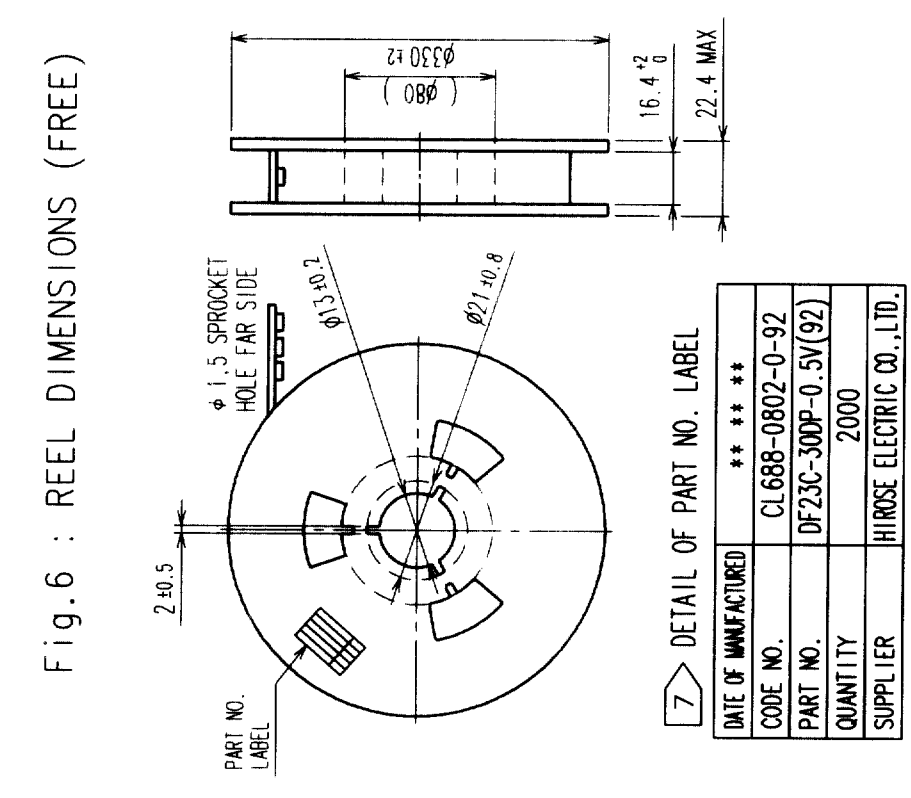
2 REFER TO Fig.2

3 WHEN A PART MARKED WITH HAS A PATTERN BUT NO RESIST ON IT, TAKE CARE TO PREVENT THE CONNECTOR FROM TOUCHING IT.

| | | | | | | |
|----------------|--------------------------|-----------------|------------|-----------|-----------------|----------|
| 2 | PHOSPHOR BRONZE | 2 | 4 | POLYESTER | CLEAR | |
| 1 | LCP | BLACK,UL94V-0 | 3 | PS | CLEAR | |
| NO. | MATERIAL | FINISH, REMARKS | NO. | MATERIAL | FINISH, REMARKS | |
| CODE NO. (OLD) | DRAWN | | DESIGNED | CHECKED | APPROVED | RELEASED |
| | A.Hirota | | T.Yamamoto | K.Akiyama | K.Akiyama | |
| | '03. 7.25 | | '03. 7.25 | '03. 7.25 | '03. 7.25 | |
| DRAWING NO. | PART NO. | | OTHERS | | | |
| EDC3-164004-02 | DF23C-30DP-0.5V(92) | | | | | |
| SCALE | CODE NO. | | | | | |
| 10 : 1 | CL688-0802-0-92 | | | | | |
| UNITS | HRS | | | | | |
| mm | HIROSE ELECTRIC CO., LTD | | | | | |

| | |
|----|--|
| TO | |
| | |
| | |

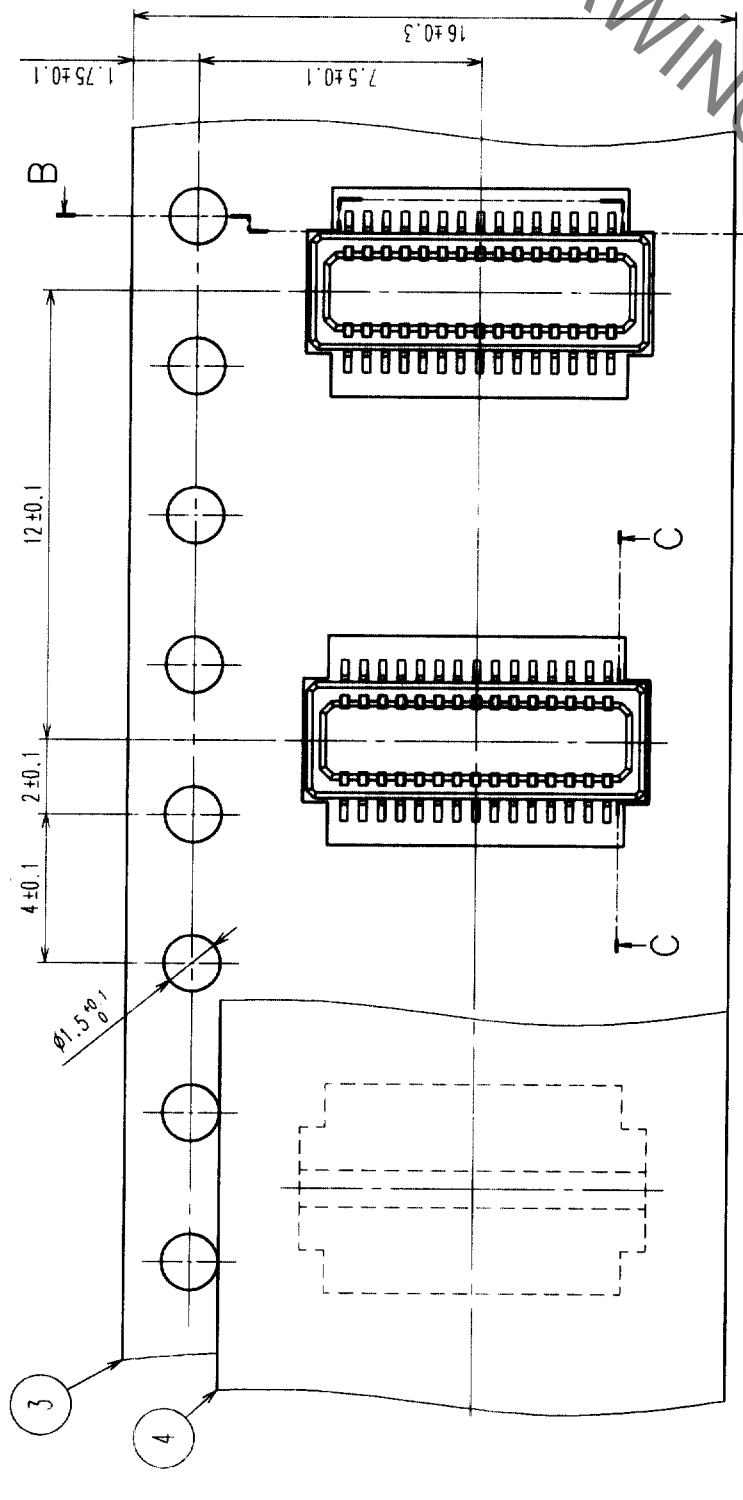
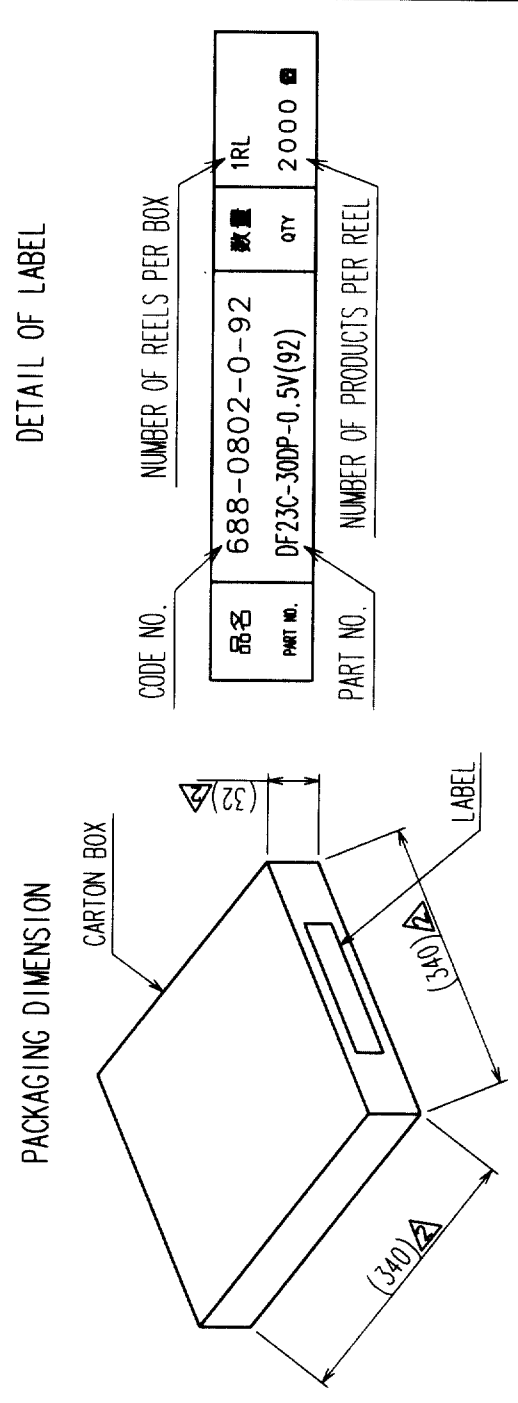
Fig.6 : REEL DIMENSIONS (FREE)



7 **DETAIL OF PART NO. LABEL**

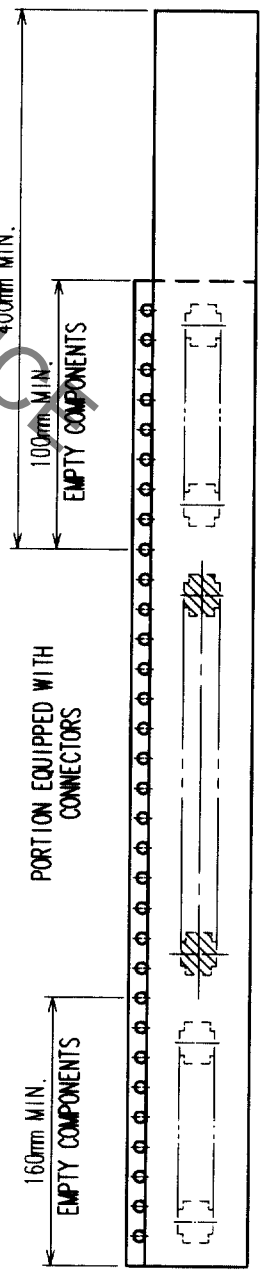
| | |
|----------------------|--------------------------|
| DATE OF MANUFACTURED | ***** |
| CODE NO. | CL688-0802-0-92 |
| PART NO. | DF23C-30DP-0.5V(92) |
| QUANTITY | 2000 |
| SUPPLIER | HIROSE ELECTRIC CO.,LTD. |

Fig.7 : PACKAGING SPECIFICATION (FREE)



DIRECTION OF UNREELING →

Fig.5 : TAPING (FREE)



TRAILER

NOTES
 4 PER REEL 2000 CONNECTORS
 5 THE DIMENSIONS IN PARENTHESES ARE FOR REFERENCE.
 6 REFER TO JIS C 0806
 (PACKAGING OF COMPONENTS FOR AUTOMATIC HANDLING)
 7 DETAIL OF PART NO. LABEL IS WRITTEN IN JAPANESE.

LEADER

| | | | |
|----------------|----------------|----------|---------------------|
| CODE NO. (OLD) | | CODE NO. | CL688-0802-0-92 |
| DRAWING NO. | EDC3-164004-02 | PART NO. | DF23C-30DP-0.5V(92) |
| DRAWN | A.Hirota | DESIGNED | T.Yamamoto |
| CHECKED | | CHECKED | K.Akiyama |
| APPROVED | | APPROVED | K.Akiyama |
| RELEASED | | RELEASED | |
| SCALE | 5 : 1 | | |
| UNITS | mm | | |
| DATE | '03. 7.25 | | |

Looking for pricing, stock, or lifecycle information?

Click below to explore more details on WIN SOURCE:

[View DF23C-30DP-0.5V\(92\) on WIN SOURCE](#)

[Hirose Electric Co Ltd Information](#)

Optimize Your Supply Chain with WIN SOURCE Solutions

- ✓ Global Sourcing Solution
- ✓ Obsolete Management
- ✓ Cost Control Management
- ✓ Shortage Management
- ✓ Alternative Solution
- ✓ Excess Inventory Management