



**THE DATASHEET OF  
DF23C-40DP-0.5V(92)**



Sep.1.2019 Copyright 2019 HIROSE ELECTRIC CO., LTD. All Rights Reserved.  
In case of consideration for using Automotive equipment / device which demand high reliability, kindly contact our sales window correspondents.

COUNT	DESCRIPTION OF REVISIONS	BY	CHKD	DATE	COUNT	DESCRIPTION OF REVISIONS	BY	CHKD	DATE

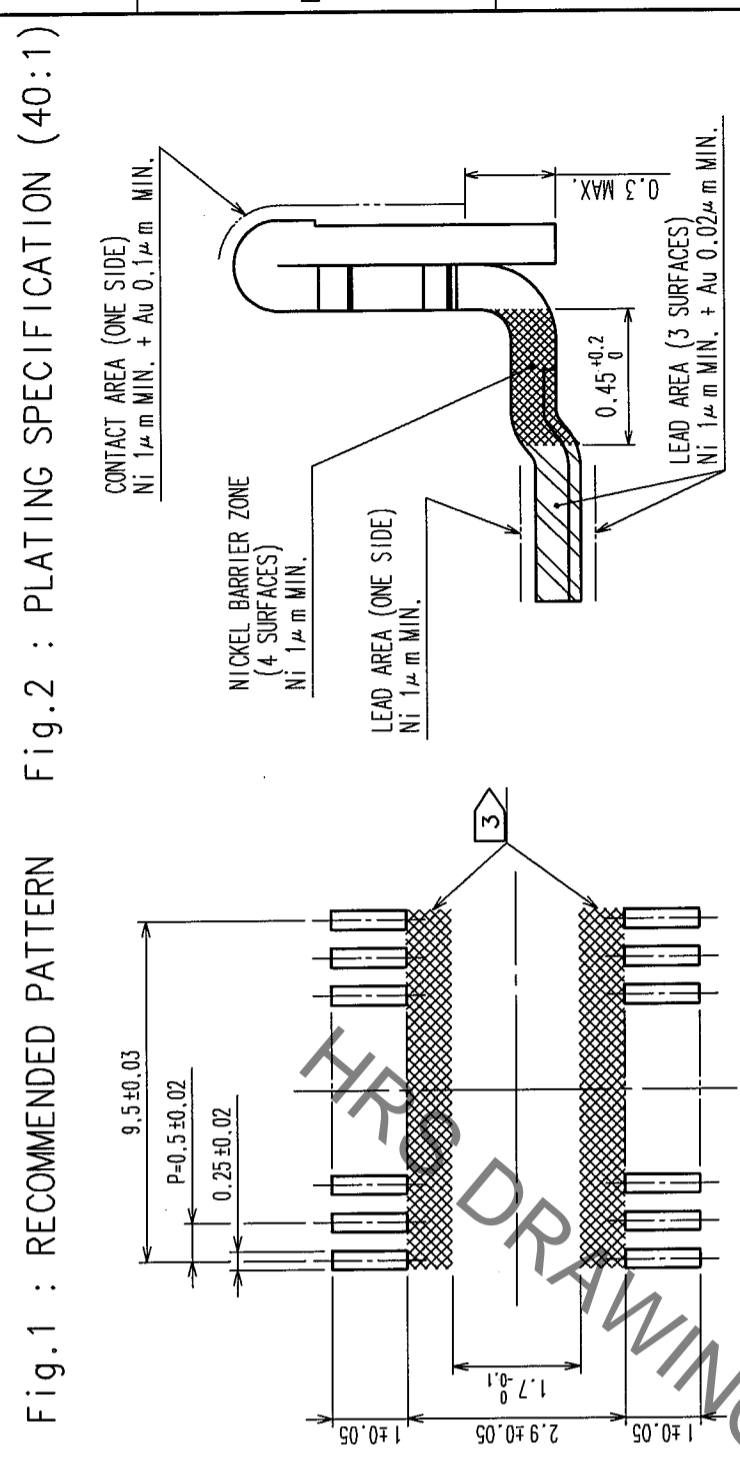


Fig.1 : RECOMMENDED PATTERN Fig.2 : PLATING SPECIFICATION (40:1)

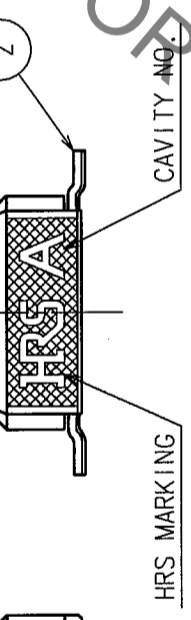


Fig.3 : A-A CROSS SECTION VIEW

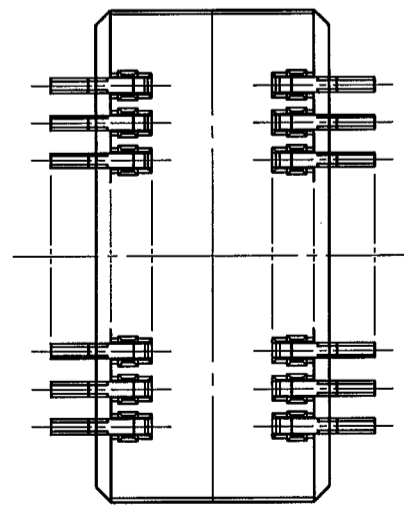


Fig.4 : MATING VIEW

NOTES 1 LEAD CO-PLANARITY SHALL BE 0.1mm MAX.  
 2 BLACK,UL94V-0  
 3 WHEN A PART MARKED WITH HAS A PATTERN BUT NO RESIST ON IT, TAKE CARE TO PREVENT THE CONNECTOR FROM TOUCHING IT.

NO.	MATERIAL	FINISH, REMARKS	NO.	MATERIAL	FINISH, REMARKS
2	PHOSPHOR BRONZE	2	4	POLYESTER	CLEAR
1	LCP	BLACK,UL94V-0	3	PS	CLEAR

CODE NO. (OLD)	DRAWN	DESIGNED	CHECKED	APPROVED	RELEASED
	F.Matsuki	T.Yamamoto	T.Sakata	T.Sakata	
	'04.01.15	'04.1.15	'04.1.16	'04.1.16	

DRAWING NO.	PART NO.
EDC3-164005-02	DF23C-40DP-0.5V(92)

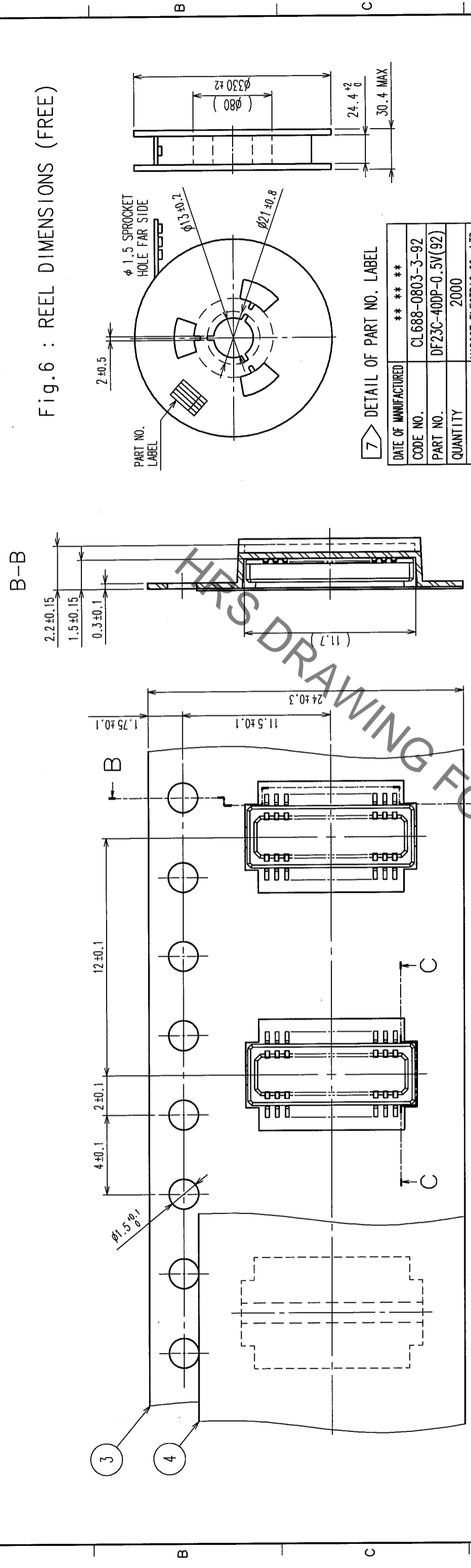
  

SCALE	UNITS	CODE NO.
10 : 1	mm	CL688-0803-3-92

TO	

Sep.1.2019 Copyright 2019 HIROSE ELECTRIC CO., LTD. All Rights Reserved.  
In case of consideration for using Automotive equipment / device which demand high reliability, kindly contact our sales window correspondents.

COUNT	DESCRIPTION OF REVISIONS	BY	CHKD	DATE	COUNT	DESCRIPTION OF REVISIONS	BY	CHKD	DATE



DIRECTION OF UNREELING →

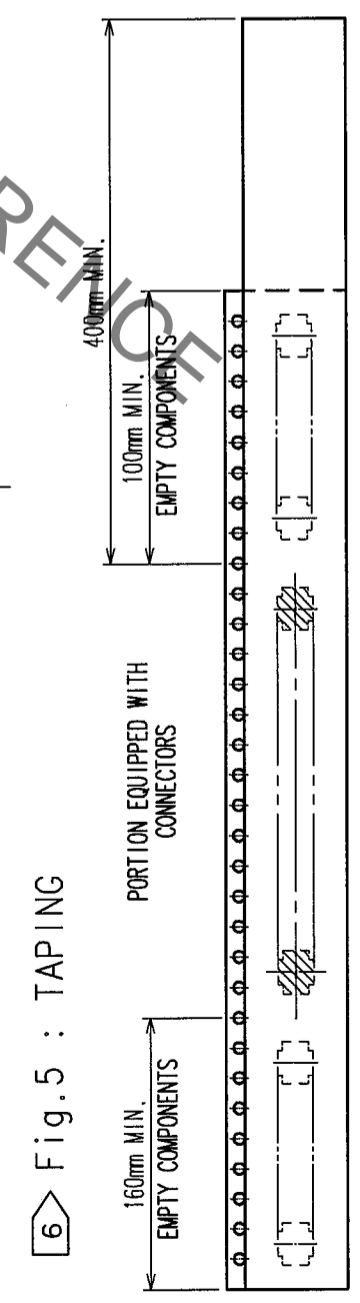
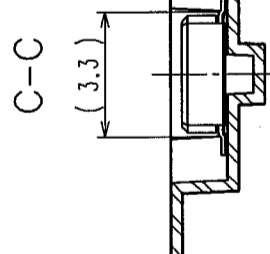


Fig. 5 : TAPING

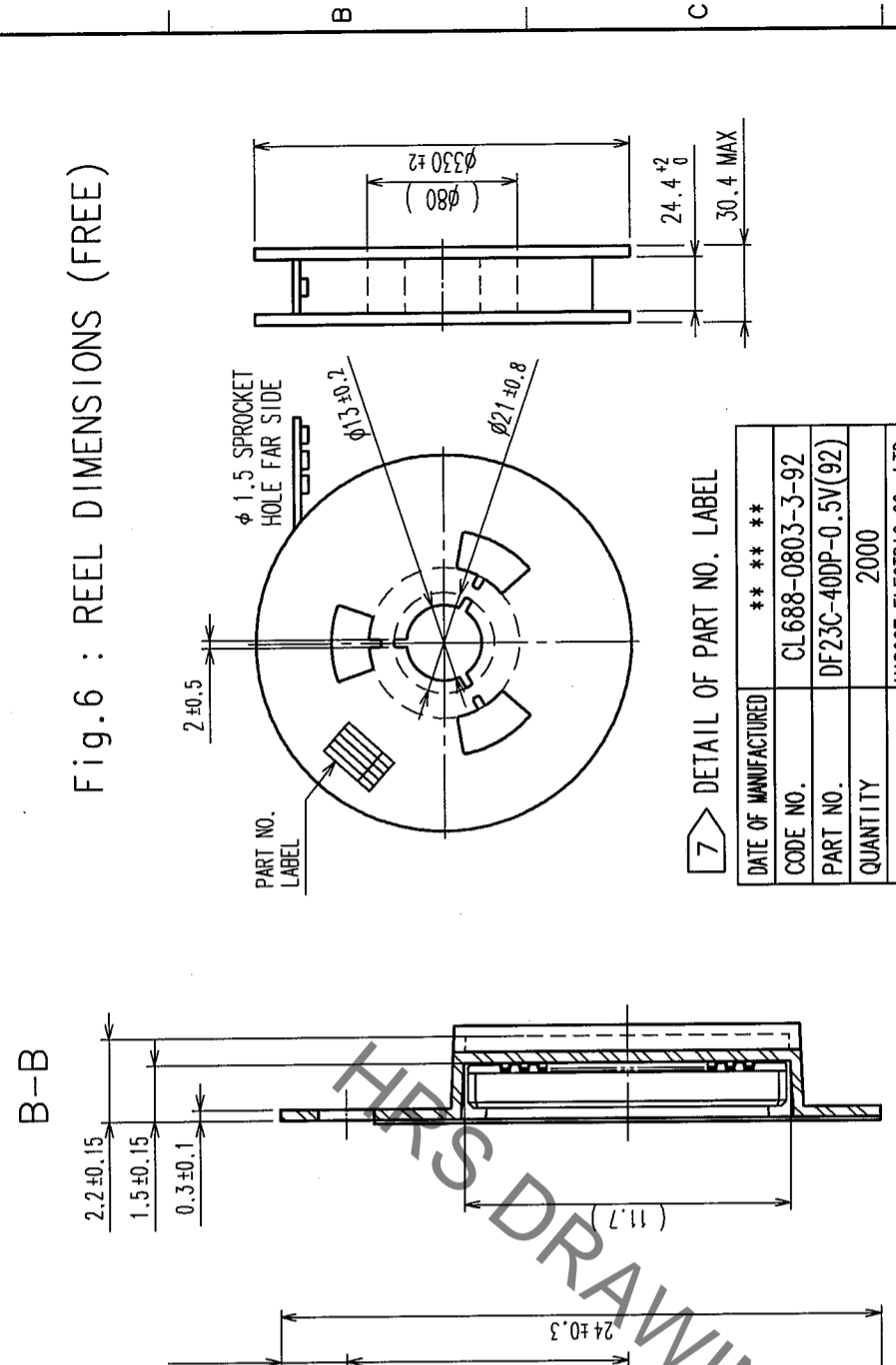


Fig. 6 : REEL DIMENSIONS (FREE)

DETAIL OF PART NO. LABEL

DATE OF MANUFACTURED	*****
CODE NO.	CL688-0803-3-92
PART NO.	DF23C-40DP-0.5V(92)
QUANTITY	2000
SUPPLIER	HIROSE ELECTRIC CO., LTD.

Fig. 6 : PACKAGING SPECIFICATION (FREE)

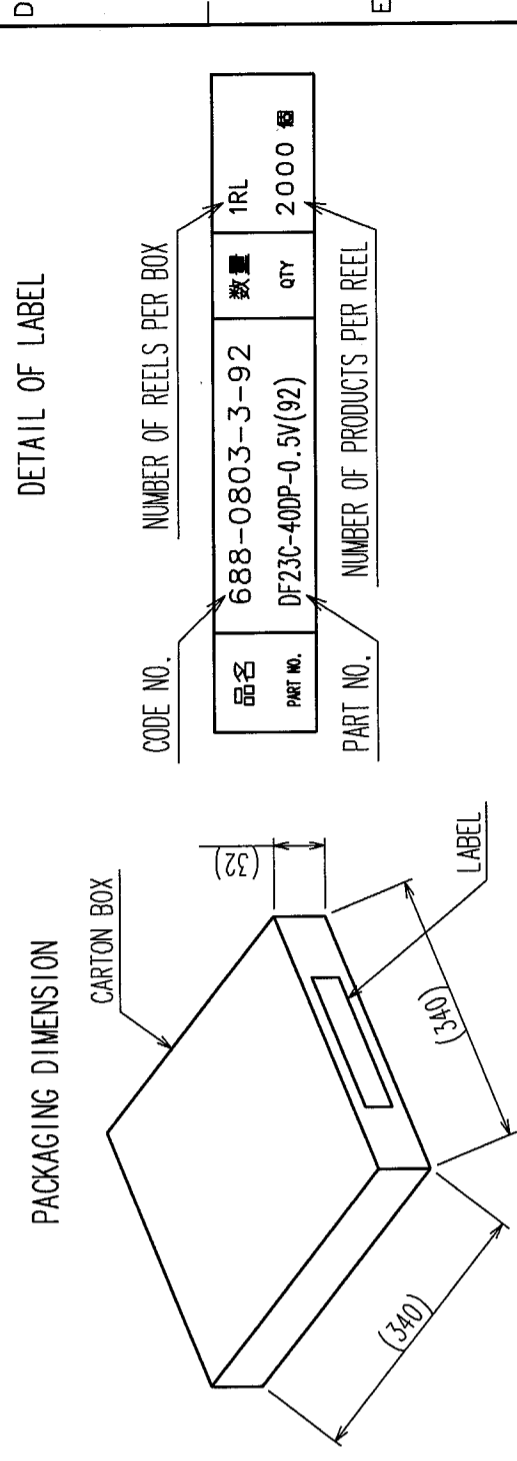


Fig. 6 : PACKAGING SPECIFICATION (FREE)

CODE NO. (OLD)	DRAWN	DESIGNED	CHECKED	APPROVED	RELEASED
	F. Matsuki	T. Yamamoto	T. Sakata	T. Sakata	
	'04.01.15	'04.1.16	'04.1.16	'04.1.16	

DRAWING NO.	EDC3-164005-02	PART NO.	DF23C-40DP-0.5V(92)
SCALE	5 : 1	CODE NO.	CL688-0803-3-92
UNITS	mm		

TRAILER

LEADER

NOTES

4 PER REEL 2000 CONNECTORS

5 THE DIMENSIONS IN PARENTHESES ARE FOR REFERENCE.

6 REFER TO JIS C 0806 (PACKAGING OF COMPONENTS FOR AUTOMATIC HANDLING)

7 DETAIL OF PART NO. LABEL IS WRITTEN IN JAPANESE.

TO	

## Looking for pricing, stock, or lifecycle information?

Click below to explore more details on WIN SOURCE:

[View DF23C-40DP-0.5V\(92\) on WIN SOURCE](#)

[Hirose Electric Co Ltd Information](#)

## Optimize Your Supply Chain with WIN SOURCE Solutions

- ✓ Global Sourcing Solution
- ✓ Obsolete Management
- ✓ Cost Control Management
- ✓ Shortage Management
- ✓ Alternative Solution
- ✓ Excess Inventory Management