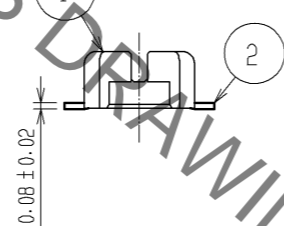
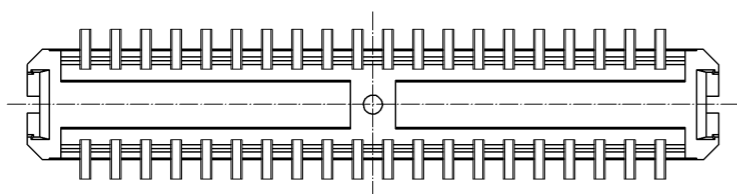
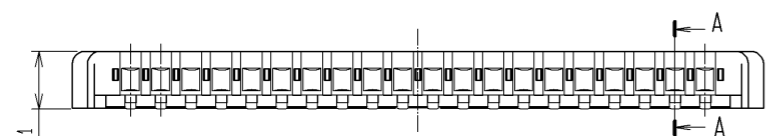
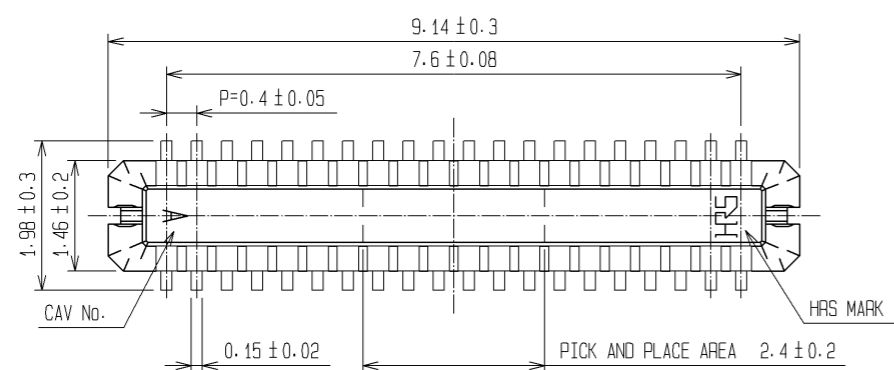




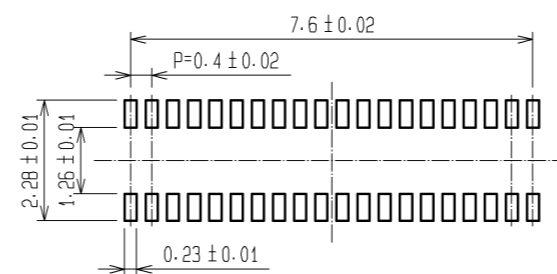
**THE DATASHEET OF  
DF37C-40DP-0.4V(53)**



Sep.1.2019 Copyright 2019 HIROSE ELECTRIC CO., LTD. All Rights Reserved.  
In case of consideration for using Automotive equipment / device which demand high reliability, kindly contact our sales window correspondents.

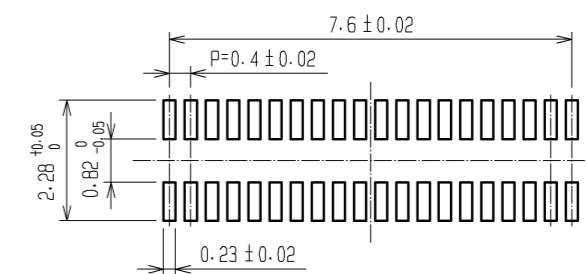


### RECOMMENDED METAL MASK OPENING PATTERN

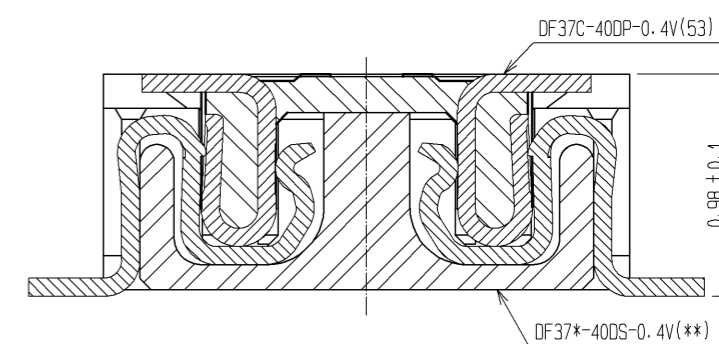


RECOMMENDED SOLDER PASTE THICKNESS: 120#m

### RECOMMENDED PATTERN



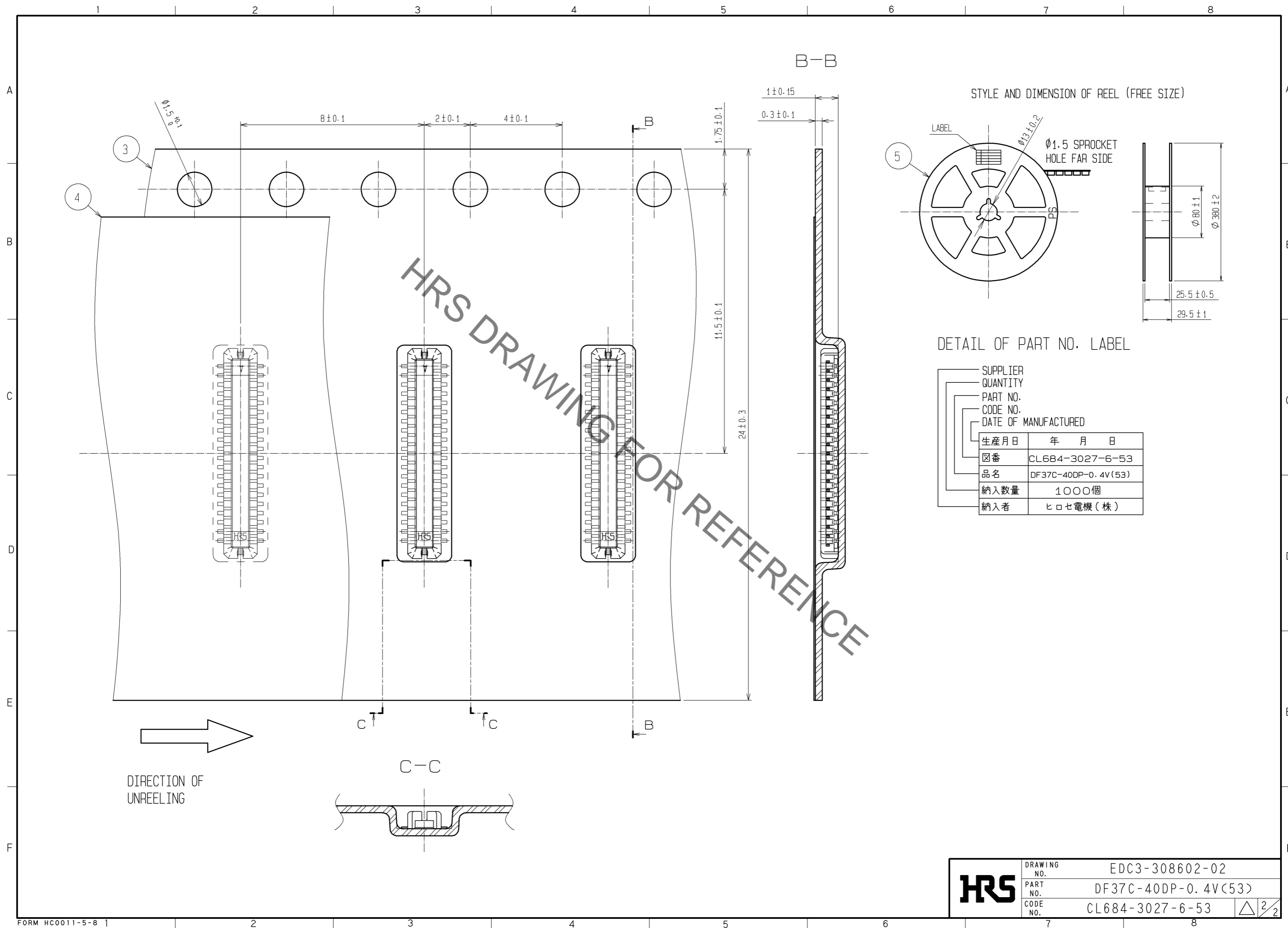
### ENGAGEMENT FIGURE



- NOTE 1. ALL LEADS CO-PLANARITY SHALL BE 0.1 MAX.  
 2. PER REEL : 1000 CONNECTORS.  
 3. AT THE BEGINNING OF THE REEL, 100 mm AT MIN SHALL BE EMPTY POCKETS.  
 AT THE END OF THE REEL, 160 mm AT MIN SHALL BE EMPTY.  
 4. CONTACT PLATING SPECIFICATIONS.  
 CONTACT AREA : GOLD 0.05#m MIN.  
 SMT LEAD : GOLD 0.05#m MIN.  
 UNDERPLATING : NICKEL 1#m MIN.  
 (SURFACE : SEALING)  
 5. PEEL FORCE OF COVER TAPE REFERS TO JIS C 0806.

2	PHOSPHOR BRONZE	4	5	PS	PLASTIC REEL (BLACK)
1	LCP	UL94V-0, BLACK	4	POLYESTER	CLEAR(COVER TAPE)
			3	PS	CLEAR(EMBOSSED CARRIER TAPE)
NO.	MATERIAL	FINISH, REMARKS	NO.	MATERIAL	FINISH, REMARKS
UNITS mm		SCALE FREE	COUNT 	DESCRIPTION OF REVISIONS	
DESIGNED		CHECKED		DATE	
APPROVED : KH. IKEDA		08.12.25		DRAWING NO. EDC3-308602-02	
CHECED : TS. MIYAZAKI		08.12.25		PART NO. DF37C-40DP-0.4V(53)	
DESIGNED : RT. SHIMIZU		08.12.24		CODE NO. CL684-3027-6-53	
DRAWN : AK. AOYAGI		08.12.24		1/2	

Sep.1.2019 Copyright 2019 HIROSE ELECTRIC CO., LTD. All Rights Reserved.  
 In case of consideration for using Automotive equipment / device which demand high reliability, kindly contact our sales window correspondents.





HRS DRAWING FOR REFERENCE

<b>HRS</b>	DRAWING NO.	EDC3-308602-02
	PART NO.	DF37C-40DP-0.4V(53)
	CODE NO.	CL684-3027-6-53
		△ 2/2

## Looking for pricing, stock, or lifecycle information?

Click below to explore more details on WIN SOURCE:

-  [View DF37C-40DP-0.4V\(53\) on WIN SOURCE](#)
-  [Hirose Electric Co Ltd Information](#)

## Optimize Your Supply Chain with WIN SOURCE Solutions

-  Global Sourcing Solution
-  Obsolete Management
-  Cost Control Management
-  Shortage Management
-  Alternative Solution
-  Excess Inventory Management