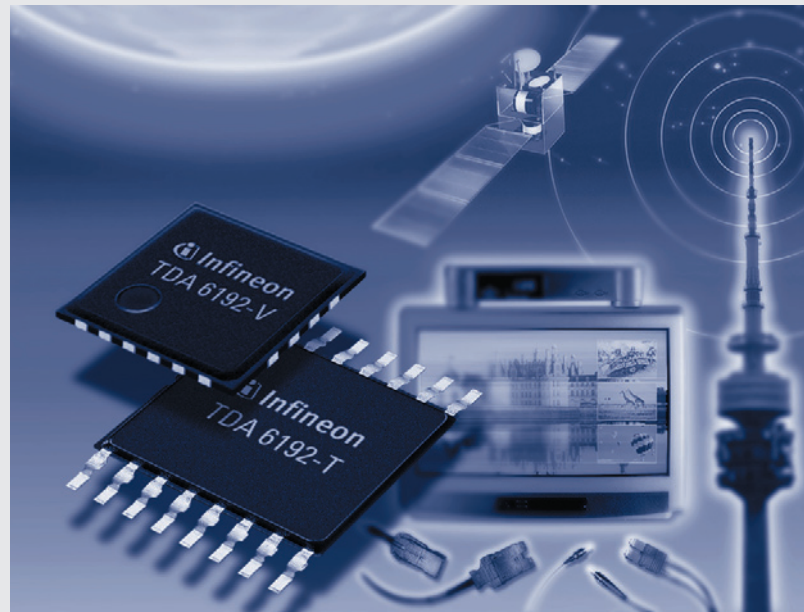


Direct IF Sampling Amplifier

The TDA 6192-T/TDA 6192-V is a gain-controlled IF amplifier IC. The TDA 6192 can be used for DVB, ATSC, ISDB frontends with the direct IF sampling as well as PAL or NTSC frontends.

The IF amplifier based on the TDA 6190 which is used for digital applications world wide since years.



TDA 6192

Potential Application

- Digital TV (QAM, COFDM)
- Set-top receiver for Digital Video Broadcast (DVB-T, DVB-C), ATSC, ISDB-T and PAL or NTSC frontends

General Description

The TDA 6192 device combines a gain-controlled amplifier, an output buffer to drive a following channel decoder IC and a delayed tuner AGC with take-over point adjustment. The gain is controlled by an external voltage.

Features

- Input frequency range of 30 to 65 MHz
- Low intermodulation distortion
- 48 dB AGC range
- Balanced 1 Vpp buffered output
- Input for gain-control voltage
- Output for tuner AGC with take-over point adjustment
- Internal low noise reference voltage source
- Full ESD protection
- Package: P-TSSOP-16 or P-VQFN-20

Features	Benefits
DVB-C, DVB-T, ATSC, ISDB-T compliant	Fulfills requirements of all standards
Wide dynamic range	Suitable as IF amplifier for all analog and digital applications

Packing

Type	Ordering Code	Package	Availability
TDA 6192-T	Q67037-A1073 (tape and reel)	P-TSSOP-16	ES Q2/01 MP Q4/01
TDA 6192-V	Q67037-A1125 (tape and reel)	P-VQFN-20	ES on request

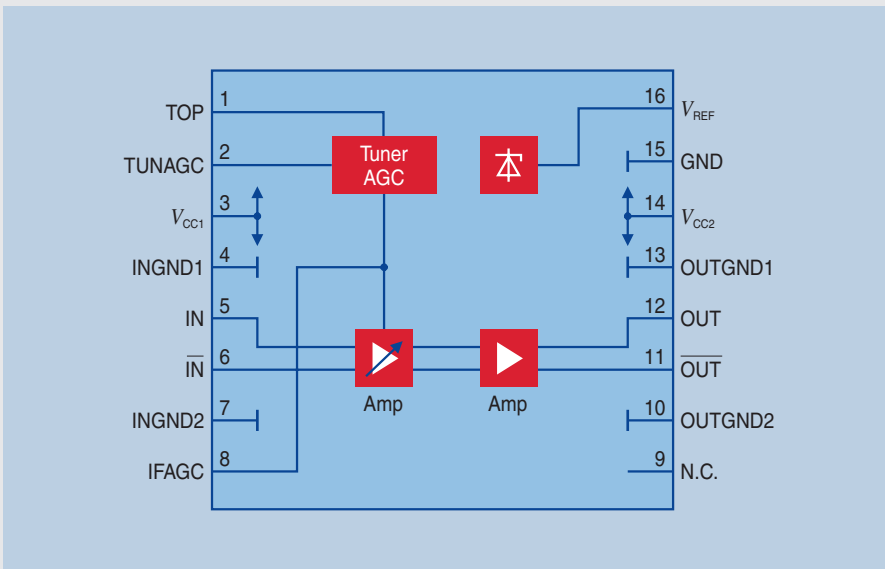
ES = Engineering Samples
MP = Mass Production

TDA 6192 - T
TDA 6192 - V
Direct IF Sampling Amplifier

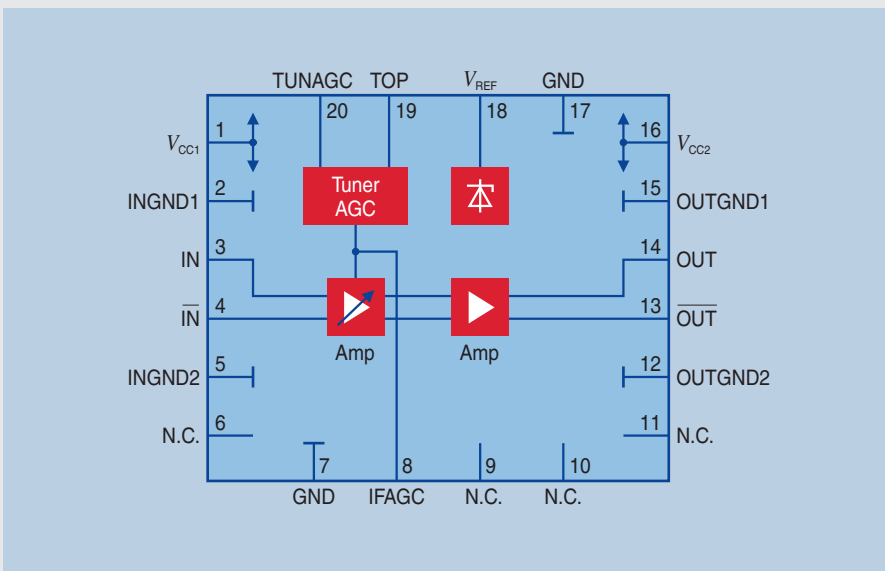


Never stop thinking.

TDA 6192-T
Block Diagram



TDA 6192-V
Block Diagram



Price Projection

- Standard price list
- For Key and Focus accounts or high volumes you may contact your regional Infineon sales partner

Development and Support Tools

- Evaluation Board TDA 6192

Documentation	Date of Issue/Version
Specification TDA 6192	2001/Preliminary

How to reach us:
<http://www.infineon.com>

Published by
Infineon Technologies AG,
St.-Martin-Strasse 53,
81541 München

© Infineon Technologies AG 2001. All Rights Reserved.

Attention please!

The information herein is given to describe certain components and shall not be considered as warranted characteristics.

Terms of delivery and rights to technical change reserved.

We hereby disclaim any and all warranties, including but not limited to warranties of non-infringement, regarding circuits, descriptions and charts stated herein.

Infineon Technologies is an approved CECC manufacturer.

Information

For further information on technology, delivery terms and conditions and prices please contact your nearest Infineon Technologies Office in Germany or our Infineon Technologies Representatives worldwide.



Warnings

Due to technical requirements components may contain dangerous substances. For information on the types in question please contact your nearest Infineon Technologies Office.

Infineon Technologies Components may only be used in life-support devices or systems with the express written approval of Infineon Technologies, if a failure of such components can reasonably be expected to cause the failure of that life-support device or system, or to affect the safety or effectiveness of that device or system. Life support devices or systems are intended to be implanted in the human body, or to support and/or maintain and sustain and/or protect human life. If they fail, it is reasonable to assume that the health of the user or other persons may be endangered.

Looking for pricing, stock, or lifecycle information?

Click below to explore more details on WIN SOURCE:

-  [View TDA 6192V on WIN SOURCE](#)
-  [Infineon Technologies Information](#)

Optimize Your Supply Chain with WIN SOURCE Solutions

-  Global Sourcing Solution
-  Obsolete Management
-  Cost Control Management
-  Shortage Management
-  Alternative Solution
-  Excess Inventory Management