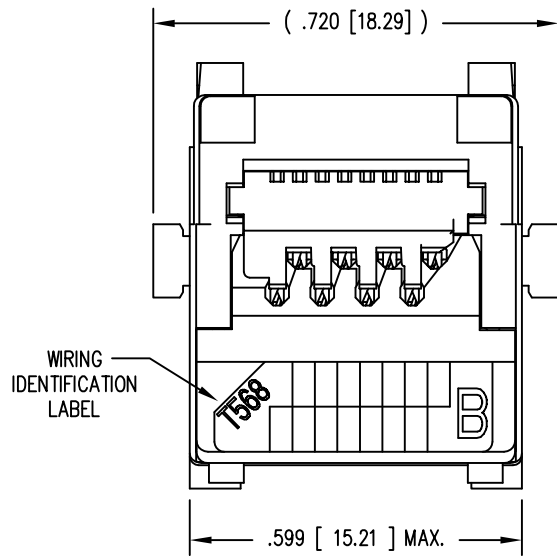
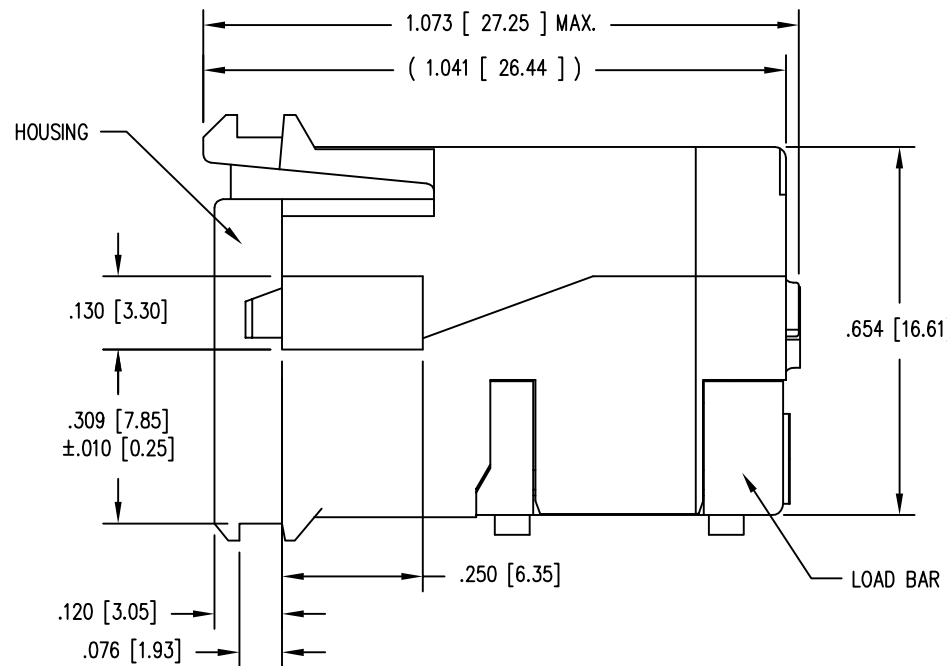
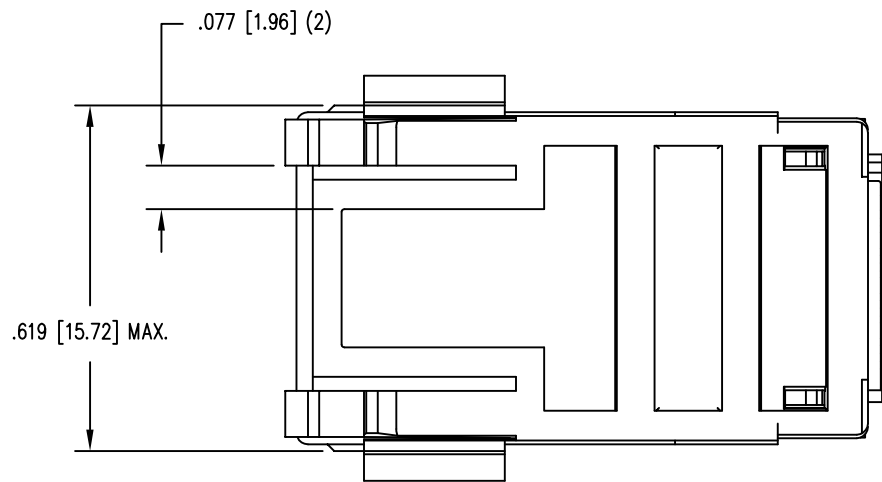
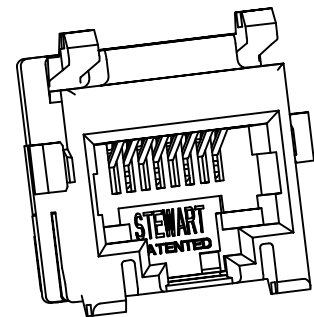




**THE DATASHEET OF
SS82000-002G**

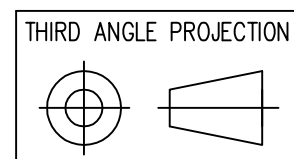
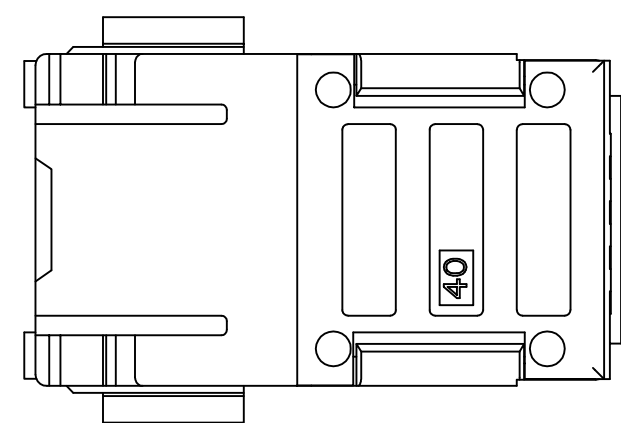
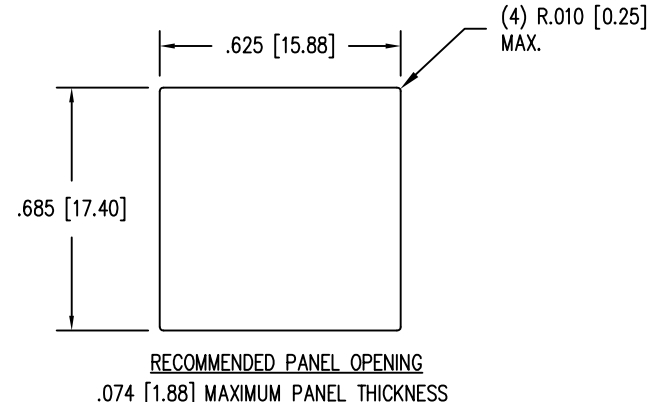


DATE	REV	ECN	APP'D. BY
1-20-15	A7	10227	TRM
1-13-16	A8	10495	TRM



- NOTES:
- CONNECTOR MATERIALS:
HOUSING: THERMOPLASTIC UL94 V-0
CONTACTS: COPPER ALLOY
CONTACT PLATING: SELECTIVE GOLD IN CONTACT AREA
SEE CHART FOR PART NUMBER
 - JACK SPECIFICATION: FOR CATEGORY 5E APPLICATIONS.
 - DIMENSIONS AND TOLERANCES COMPLY WITH TIA-1096 STANDARD.
 - BEZELS AVAILABLE - DATA , VOICE
 - WIRE RANGE 26 TO 24 AWG [0.41 - 0.51]
 - WIRE INSULATION DIA RANGE .036 - .042 [0.91 - 1.07]
 - SUITABLE FOR GIGA-BIT ETHERNET APPLICATIONS
 - FOR PRODUCT SPECIFICATION SEE PR026-01

50 MICRO-INCHES [1.27um]	SS-82000-002
CONTACT PLATING IN MATING AREA	PART NUMBER



1118 Susquehanna Trail South
Glen Rock, PA 17327-9199
(717) 235-7512
<http://www.stewartconnector.com>

DO NOT SCALE DRAWING
DRAWING IS SUBJECT TO
CHANGE WITHOUT NOTICE

DIMENSIONS: INCHES [METRIC]

UNLESS OTHERWISE SPECIFIED
TOLERANCES ARE ±.005 [0.13]
ANGLES ARE ± 1°

SHEET NO. 1 OF 1

TITLE: CABLE READY CAT5e JACK
(SHOWN IN TERMINATED CONDITION)

THIS DRAWING AND THE SUBJECT MATTER SHOWN THEREON ARE
CONFIDENTIAL AND THE PROPRIETARY PROPERTY OF STEWART CONNECTOR
AND SHALL NOT BE REPRODUCED, COPIED, OR USED IN ANY MANNER WITHOUT
PRIOR WRITTEN CONSENT OF STEWART CONNECTOR. THIS PRODUCT
MAY BE PROTECTED BY ONE OR MORE OF THE FOLLOWING US PATENTS:
5791942 6217391 6368159 6419526 6602097 687722
6964587 7048590 7086909 7568950 7686650
OTHER PATENTS MAY BE PENDING.

DRN BY: DAB	DATE 3-3-99
APPD BY: RGC	DATE 3-3-99
DWG NO. CT820004	REV. A8



Looking for pricing, stock, or lifecycle information?

Click below to explore more details on WIN SOURCE:

 [View SS82000-002G on WIN SOURCE](#)

 [Stewart Connector](#) Information

Optimize Your Supply Chain with WIN SOURCE Solutions

-  Global Sourcing Solution
-  Obsolete Management
-  Cost Control Management
-  Shortage Management
-  Alternative Solution
-  Excess Inventory Management