

SD-35362-001
DWG. NO.

SIMILAR ITEM

PROJECT NO.

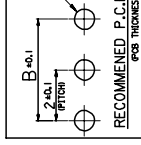
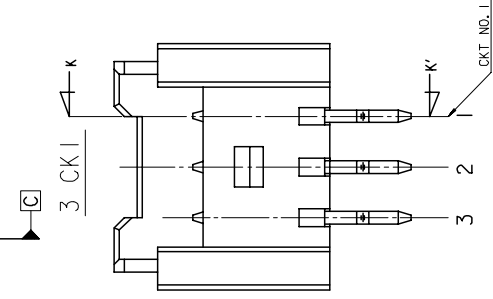
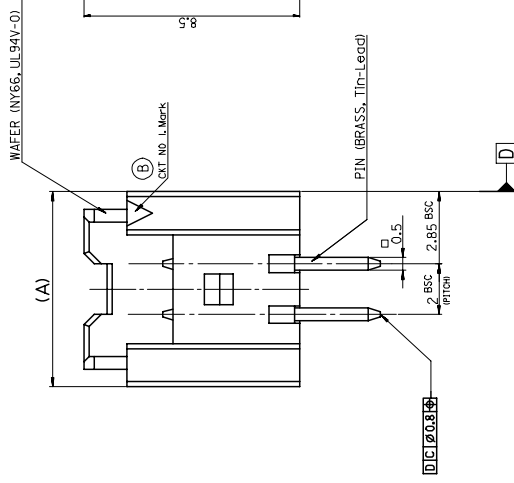
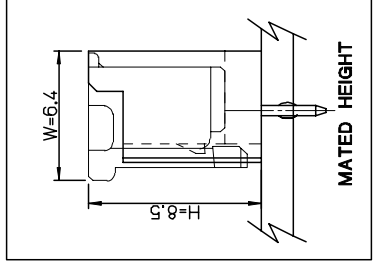
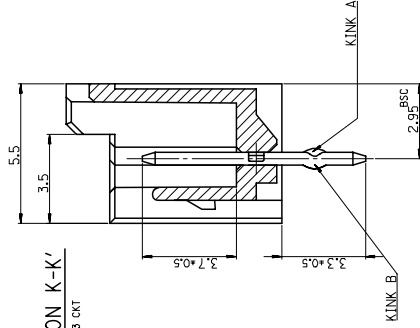
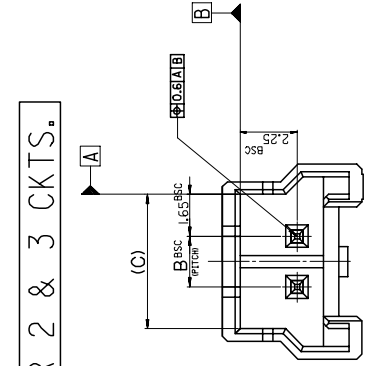
C

B

DO NOT SCALE DRAWING
DIMENSION IN METRIC

FOR 2 & 3 CKTS.

SECTION K-K'
ONLY 3 CKT



LEGEND

SD-3
CKT. NO.

FINAL GOOD (BULK) — 1 : SELECTIVE KINK
SUB ASSY (TUBE) — 2 : NONE KINK
3 : SELECTIVE KINK
4 : NONE KINK

7.3	4	9.7	(A)
5.3	2	7.7	(B)
(C)	B		(A)

NOTES

- MATERIAL : WAFER : POLYAMIDE(PA), NO. GLASS, UL94V-0 . NATURAL COLOR
PIN : BRASS . TIN LEAD PLATED
- FINISHES : TERMINAL : Sn-Pb 2~3um OVERALL
- PRODUCT SPECIFICATION : PS-35507
- MATING HOUSING : 35507-**0*
- MATING TERMINAL : 50212-8000

CKT. NO	1	2	3
CKT	NONE	KINK	
3 CKT	A	B	A

30 over	±0.3
10 over 30 under	±0.25
10 under	±0.2
ANGLE	±3°

REVISED

ECN NO. KOR2006-0004
DRW: Y.Soo/Kim 05/07/05
CHK: Y.Soo/Kim 05/07/05
APP: C.W.Lee

DESCRIPTION

QUALITY SYMBOLS
MAJOR =
CRITICAL C=

GENERAL TOLERANCES:
(UNLESS SPECIFIED)
mm ±.
INCH ±.
4 PLACES ±0.
3 PLACES ±0.
2 PLACES ±0.
1 PLACE ±0.
ANGULAR: ± 3 °

DRAFT WHERE APPLICABLE MUST REMAIN WITHIN DIMENSIONS

SCALE 1:1
DESIGN UNITS mm INCH
DRAWN BY & DATE Y.S.KIM 96/09/11
CHECKED BY & DATE Y.Soo.Kim 96/09/11
APPROVED BY & DATE C.W.Lee 96/09/11
CAD FILENAME SD35362-001-S02

THICKNESS
TITLE: molex
MATERIAL INFORMATION
See Table

THIS DRAWING CONTAINS INFORMATION INCORPORATED AND SHOULD NOT BE

8

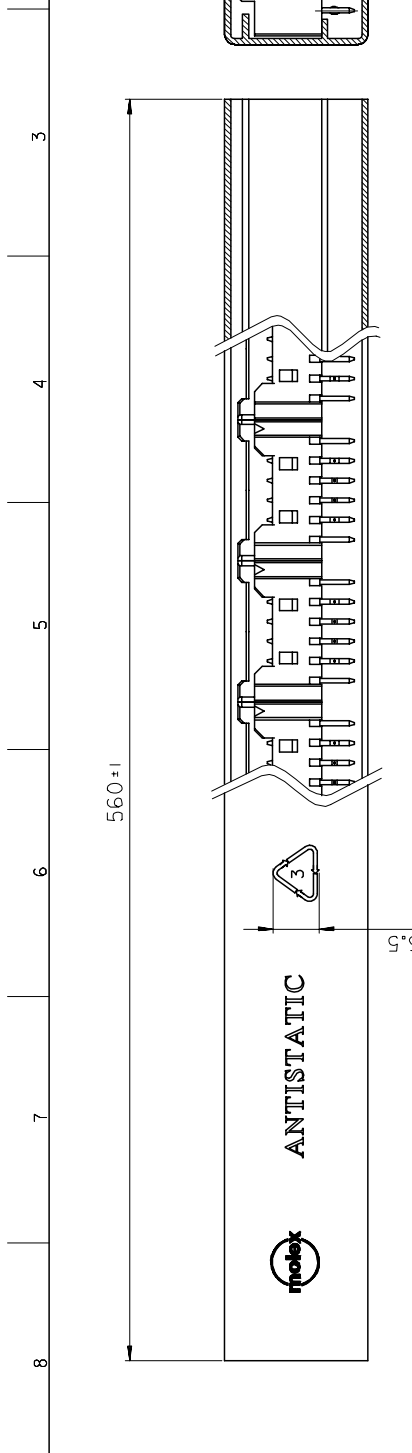
7

6

5

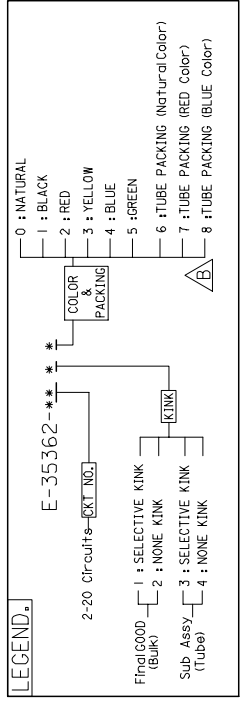
4

3



SIMILAR ITEM

TAB

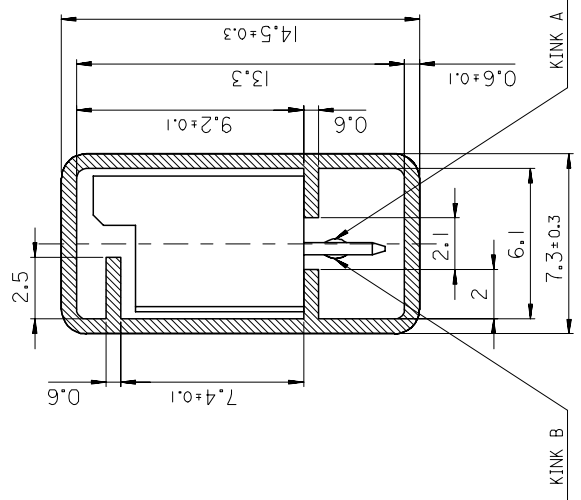


PROJECT NO.

NOTES

- MATERIAL : TUBE - TRANSLUCENT P.V.C (P-1000)
Wafer - POLYAMIDE, UL94V-0
PIN - BRASS SQ 0.5mm
- BOW/CAMBER : 1.0mm MAX/Total Length
- DIMENSIONS GIVEN ACROSS CENTER LINES ARE SYMMETRICAL ABOUT THOSE CENTER LINES WITH HALF THE TOTAL LENGTH.
- TOTAL TUBE LENGTH : 560mm ± 1mm
- TWIST : 5° MAX./Total Length
- BURRS : 0.2mm MAX.
- SKEW : PRODUCTS MUST BE FLOWED SMOOTHLY WHEN THIS STICK IS PLACES 30° ANGLE.
- THICKNESS : 0.6mm ± 0.1mm
- ARTWORK : PER E-35900-0434 (SILK SCREEN COLOR : RED)
- APPLICABLE STOPPER(RUBBER) : 35900-0435

B



DO NOT SCALE DRAWING DIMENSION IN METRIC

KINK TABLE(FOR 35362-*****)

CKT NO	1	2	3	4	5	N-2	N-1	N
6 CKT OVER	A	B	-	B	A	-	B	A
5 CKT	A	B	-	B	A	-	-	-
4 CKT	A	B	B	A	-	-	-	-
3 CKT	A	B	A	-	-	-	-	-
2 CKT	None	Kink	-	-	-	-	-	-

NEW RELEASED

EC NO. KOR2008-0082
 DRWN: K.S.KIM (060102)
 CHK: Y.SOOKIM
 APPR: S.H.CHOI

DESCRIPTION

QUALITY SYMBOLS

GENERAL TOLERANCES: (UNLESS SPECIFIED)

4 PLACES	±0.1	INCH
3 PLACES	±0.1	INCH
2 PLACES	±0.1	INCH
1 PLACE	±0.2	INCH

ANGULAR: ± 1°

DRAFT WHERE APPLICABLE MUST REMAIN WITHIN DIMENSIONS

THIS DRAWING CONTAINS INFORMATION INCORPORATED AND SHOULD NOT BE

SCALE 5 : 1

DESIGN UNITS

mm INCH

THICKNESS

0.1mm 0.004 INCH

TITLE:

DRAWN BY & DATE

K.S.KIM (060102)

CHECKED BY & DATE

Y.SOOKIM

APPROVED BY & DATE

S.H.CHOI

CAD FILENAME

MATERIAL

SEE T/A

molex

THIS DRAWING CONTAINS INFORMATION INCORPORATED AND SHOULD NOT BE

SCALE 5 : 1

DESIGN UNITS

mm INCH

THICKNESS

0.1mm 0.004 INCH

TITLE:

DRAWN BY & DATE

K.S.KIM (060102)

CHECKED BY & DATE

Y.SOOKIM

APPROVED BY & DATE

S.H.CHOI

CAD FILENAME

MATERIAL

SEE T/A

molex

THIS DRAWING CONTAINS INFORMATION INCORPORATED AND SHOULD NOT BE

SCALE 5 : 1

DESIGN UNITS

mm INCH

THICKNESS

0.1mm 0.004 INCH

TITLE:

DRAWN BY & DATE

K.S.KIM (060102)

CHECKED BY & DATE

Y.SOOKIM

APPROVED BY & DATE

S.H.CHOI

CAD FILENAME

MATERIAL

SEE T/A

molex

THIS DRAWING CONTAINS INFORMATION INCORPORATED AND SHOULD NOT BE

SCALE 5 : 1

DESIGN UNITS

mm INCH

THICKNESS

0.1mm 0.004 INCH

TITLE:

DRAWN BY & DATE

K.S.KIM (060102)

CHECKED BY & DATE

Y.SOOKIM

APPROVED BY & DATE

S.H.CHOI

CAD FILENAME

MATERIAL

SEE T/A

molex

THIS DRAWING CONTAINS INFORMATION INCORPORATED AND SHOULD NOT BE

SCALE 5 : 1

DESIGN UNITS

mm INCH

THICKNESS

0.1mm 0.004 INCH

TITLE:

DRAWN BY & DATE

K.S.KIM (060102)

CHECKED BY & DATE

Y.SOOKIM

APPROVED BY & DATE

S.H.CHOI

CAD FILENAME

MATERIAL

SEE T/A

molex

THIS DRAWING CONTAINS INFORMATION INCORPORATED AND SHOULD NOT BE

SCALE 5 : 1

DESIGN UNITS

mm INCH

THICKNESS

0.1mm 0.004 INCH

TITLE:

DRAWN BY & DATE

K.S.KIM (060102)

CHECKED BY & DATE

Y.SOOKIM

APPROVED BY & DATE

S.H.CHOI

CAD FILENAME

MATERIAL

SEE T/A

molex

THIS DRAWING CONTAINS INFORMATION INCORPORATED AND SHOULD NOT BE

SCALE 5 : 1

DESIGN UNITS

mm INCH

THICKNESS

0.1mm 0.004 INCH

TITLE:

DRAWN BY & DATE

K.S.KIM (060102)

CHECKED BY & DATE

Y.SOOKIM

APPROVED BY & DATE

S.H.CHOI

CAD FILENAME

MATERIAL

SEE T/A

molex

THIS DRAWING CONTAINS INFORMATION INCORPORATED AND SHOULD NOT BE

SCALE 5 : 1

DESIGN UNITS

mm INCH

THICKNESS

0.1mm 0.004 INCH

TITLE:

DRAWN BY & DATE

K.S.KIM (060102)

CHECKED BY & DATE

Y.SOOKIM

APPROVED BY & DATE

S.H.CHOI

CAD FILENAME

MATERIAL

SEE T/A

molex

THIS DRAWING CONTAINS INFORMATION INCORPORATED AND SHOULD NOT BE

SCALE 5 : 1

DESIGN UNITS

mm INCH

THICKNESS

0.1mm 0.004 INCH

TITLE:

DRAWN BY & DATE

K.S.KIM (060102)

CHECKED BY & DATE

Y.SOOKIM

APPROVED BY & DATE

S.H.CHOI

CAD FILENAME

MATERIAL

SEE T/A

molex

THIS DRAWING CONTAINS INFORMATION INCORPORATED AND SHOULD NOT BE

SCALE 5 : 1

DESIGN UNITS

mm INCH

THICKNESS

0.1mm 0.004 INCH

TITLE:

DRAWN BY & DATE

K.S.KIM (060102)

CHECKED BY & DATE

Y.SOOKIM

APPROVED BY & DATE

S.H.CHOI

CAD FILENAME

MATERIAL

SEE T/A

molex

THIS DRAWING CONTAINS INFORMATION INCORPORATED AND SHOULD NOT BE

SCALE 5 : 1

DESIGN UNITS

mm INCH

THICKNESS

0.1mm 0.004 INCH

TITLE:

DRAWN BY & DATE

K.S.KIM (060102)

CHECKED BY & DATE

Y.SOOKIM

APPROVED BY & DATE

S.H.CHOI

CAD FILENAME

MATERIAL

SEE T/A

molex

THIS DRAWING CONTAINS INFORMATION INCORPORATED AND SHOULD NOT BE

SCALE 5 : 1

DESIGN UNITS

mm INCH

THICKNESS

0.1mm 0.004 INCH

TITLE:

DRAWN BY & DATE

K.S.KIM (060102)

CHECKED BY & DATE

Y.SOOKIM

APPROVED BY & DATE

S.H.CHOI

CAD FILENAME

MATERIAL

SEE T/A

molex

THIS DRAWING CONTAINS INFORMATION INCORPORATED AND SHOULD NOT BE

SCALE 5 : 1

DESIGN UNITS

mm INCH

THICKNESS

0.1mm 0.004 INCH

TITLE:

DRAWN BY & DATE

K.S.KIM (060102)

CHECKED BY & DATE

Y.SOOKIM

APPROVED BY & DATE

S.H.CHOI

CAD FILENAME

MATERIAL

SEE T/A

molex

THIS DRAWING CONTAINS INFORMATION INCORPORATED AND SHOULD NOT BE

SCALE 5 : 1

DESIGN UNITS

mm INCH

THICKNESS

0.1mm 0.004 INCH

TITLE:

DRAWN BY & DATE

K.S.KIM (060102)

CHECKED BY & DATE

Y.SOOKIM

APPROVED BY & DATE

S.H.CHOI

CAD FILENAME

MATERIAL

SEE T/A

molex

THIS DRAWING CONTAINS INFORMATION INCORPORATED AND SHOULD NOT BE

SCALE 5 : 1

DESIGN UNITS

mm INCH

THICKNESS

0.1mm 0.004 INCH

TITLE:

DRAWN BY & DATE

K.S.KIM (060102)

CHECKED BY & DATE

Y.SOOKIM

APPROVED BY & DATE

S.H.CHOI

CAD FILENAME

MATERIAL

Looking for pricing, stock, or lifecycle information?

Click below to explore more details on WIN SOURCE:

 [View 35362-0310 on WIN SOURCE](#)

 [Molex, LLC Information](#)

Optimize Your Supply Chain with WIN SOURCE Solutions

-  Global Sourcing Solution
-  Obsolete Management
-  Cost Control Management
-  Shortage Management
-  Alternative Solution
-  Excess Inventory Management