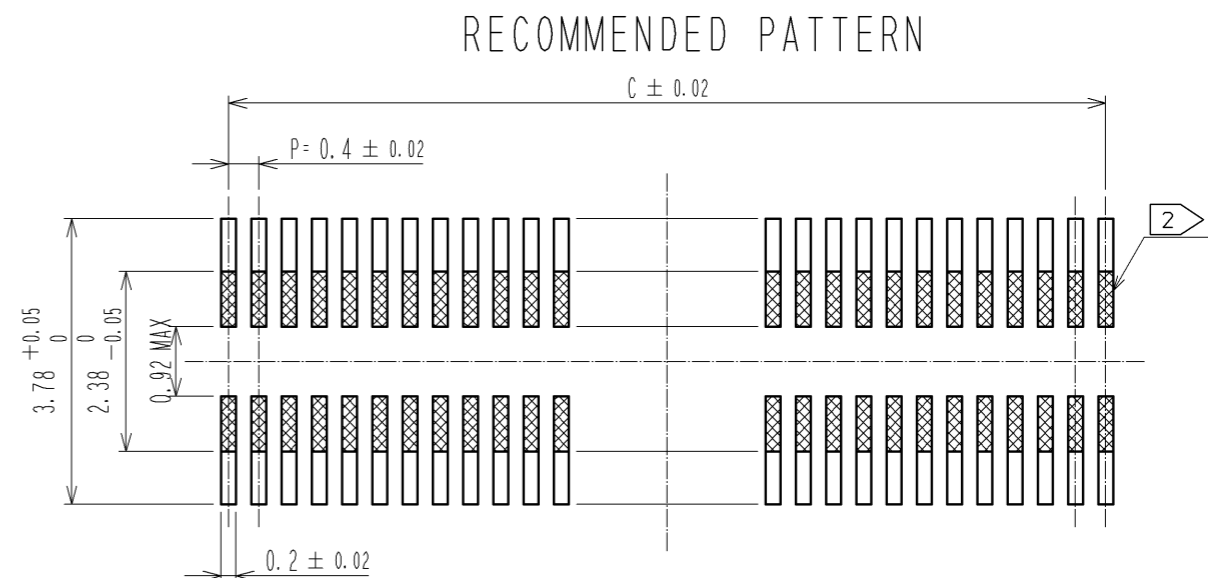
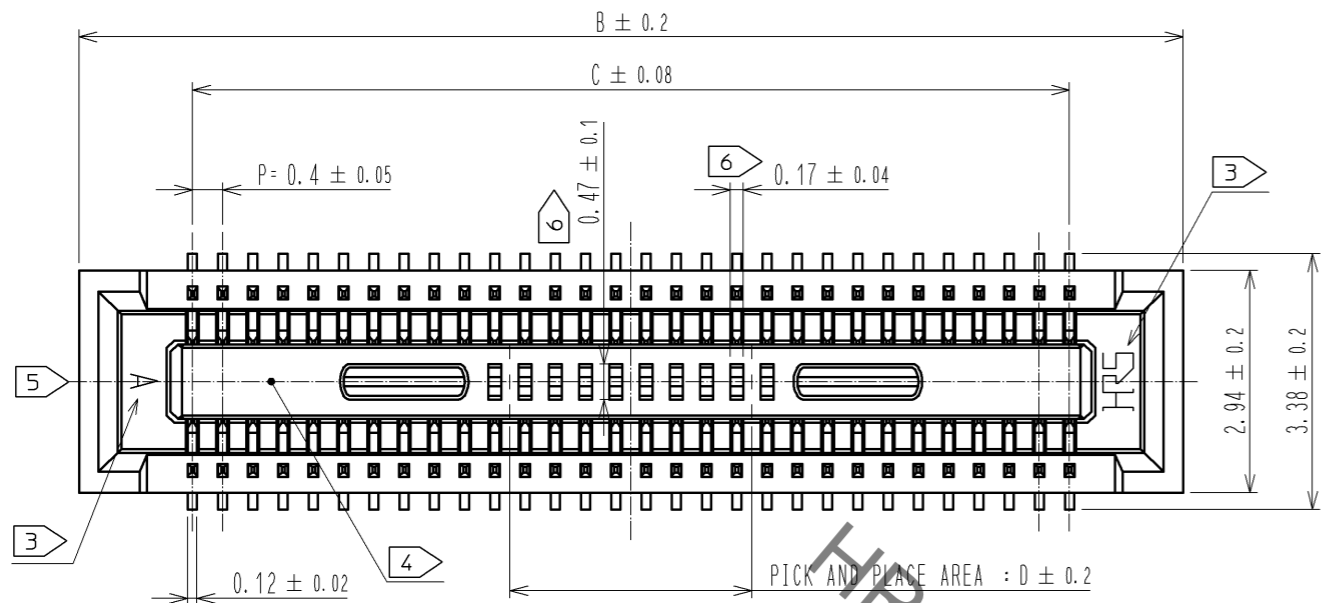




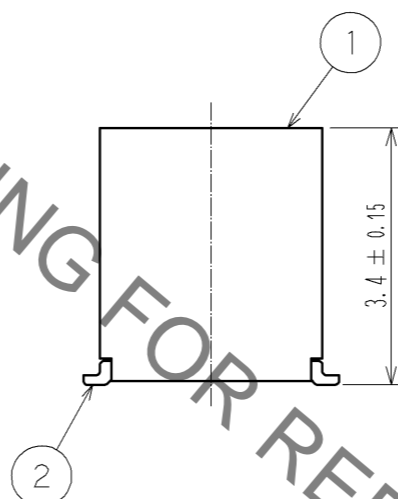
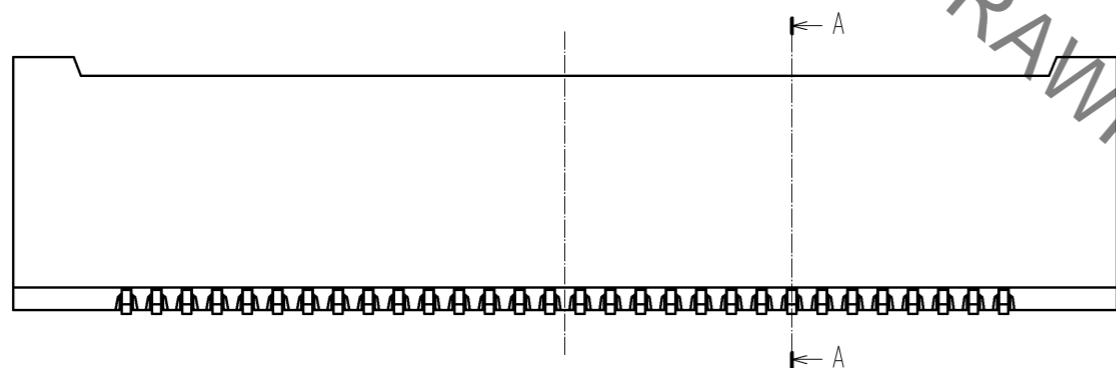
**THE DATASHEET OF
DF40HC(3.5)-60DS-0.4V(51)**



Aug.1.2019 Copyright 2019 HIROSE ELECTRIC CO., LTD. All Rights Reserved.
In case of consideration for using Automotive equipment / device which demand high reliability, kindly contact our sales window correspondents.



RECOMMENDED METAL MASK THICKNESS : 120 μm
RECOMMENDED METAL MASK OPENING RATIO : 80% FOR LEAD PAD

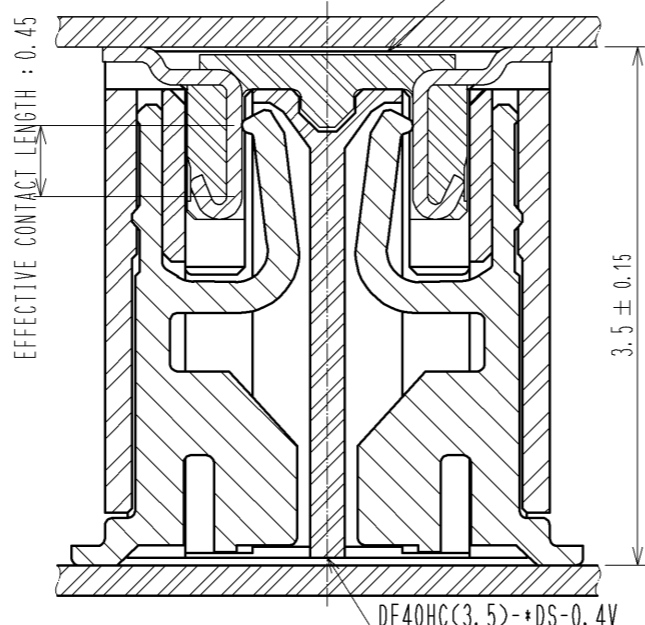
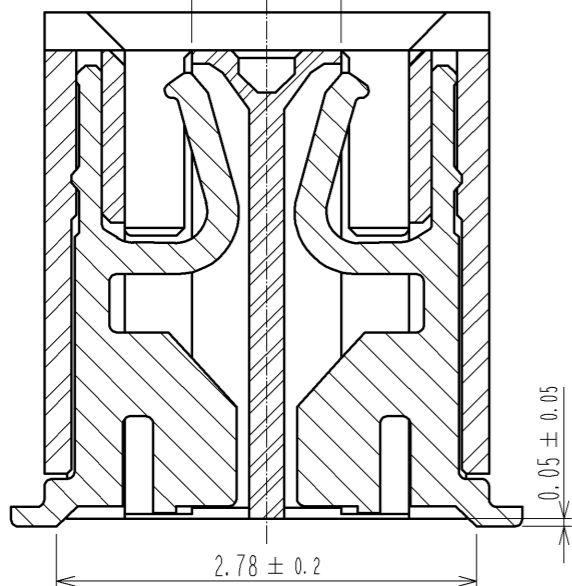


- NOTES)
1. ALL LEADS CO-PLANARITY SHALL BE 0.1 MAX.
 2. IS NO PATTERN AREA OTHER THAN THE SAME CIRCUIT.
 3. HRS MARK AND CAV NO. ARE INDICATED IN APPROXIMAL POSITION SHOWN.
 4. GATE POSITION OF 60 TO 100 POSITIONS IS POSITIONED IN PPROXIMAL AREA SHOWN.
 5. GATE POSITION OF 10 TO 50 POSITIONS IS POSITIONED IN APPROXIMAL AREA SHOWN. A PART OF THE WALL COULD BE NOTCHED FOR SETTING GATE.
 6. 60 TO 100 POSITIONS HAVE CONCAVE PORTION.

A-A(20:1)

ENGAGEMENT FIGURE (20:1)

PICK AND PLACE AREA : 0.99 ± 0.1



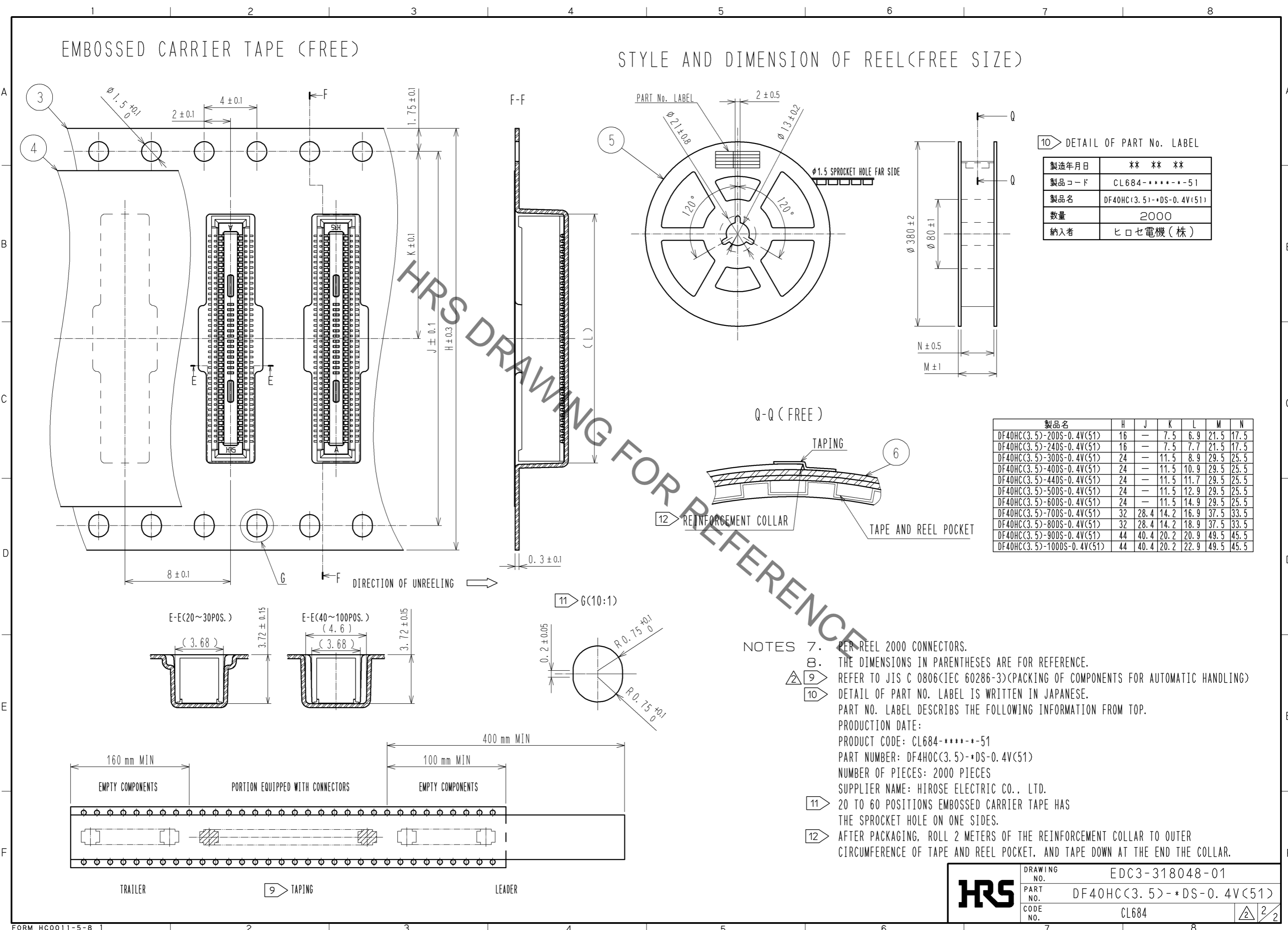
PART NO.	CODE NO.	B	C	D
DF40HC(3.5)-20DS-0.4V(51)	CL684-4188-0-51	6.6	3.6	1.0
DF40HC(3.5)-24DS-0.4V(51)	—	7.4	4.4	1.2
DF40HC(3.5)-30DS-0.4V(51)	CL684-4136-7-51	8.6	5.6	1.5
DF40HC(3.5)-40DS-0.4V(51)	CL684-4209-9-51	10.6	7.6	3.2
DF40HC(3.5)-44DS-0.4V(51)	—	11.4	8.4	3.2
DF40HC(3.5)-50DS-0.4V(51)	CL684-4109-4-51	12.6	9.6	3.2
DF40HC(3.5)-60DS-0.4V(51)	CL684-4102-5-51	14.6	11.6	3.2
DF40HC(3.5)-70DS-0.4V(51)	—	16.6	13.6	3.2
DF40HC(3.5)-80DS-0.4V(51)	CL684-4162-7-51	18.6	15.6	3.2
DF40HC(3.5)-90DS-0.4V(51)	—	20.6	17.6	3.2
DF40HC(3.5)-100DS-0.4V(51)	—	22.6	19.6	3.2

NO.	MATERIAL	FINISH	REMARKS	NO.	MATERIAL	FINISH	REMARKS
2	PHOSPHOR BRONZE	CONTACT AREA:GOLD 0.05 μm MIN SMT LEAD:GOLD 0.05 μm MIN UNDERPLATING:NICKEL 1 μm MIN	6 PS 5 PS 4 POLYESTER				CLEAR, REINFORCEMENT COLLAR BLACK, PLASTIC REEL CLEAR, COVER TAPE
1	LCP	BLACK, UL94V-0	3 PS				CLEAR, EMBOSSED CARRIER TAPE

UNITS	SCALE	COUNT	DESCRIPTION OF REVISIONS	DESIGNED	CHECKED	DATE
mm	10:1	3	DIS-H-008330	KR. AJITO	TS. MIYAZAKI	13.11.26

APPROVED	DATE	DRAWING NO.
KH. IKEDA	10.07.13	EDC3-318048-01
CHECED	10.07.13	PART NO.
DESIGNED	10.07.12	DF40HC(3.5)-*DS-0.4V(51)
DRAWN	10.07.12	CODE NO.
		CL684

Aug.1.2019 Copyright 2019 HIROSE ELECTRIC CO., LTD. All Rights Reserved.
In case of consideration for using Automotive equipment / device which demand high reliability, kindly contact our sales window correspondents.



EMBOSSED CARRIER TAPE (FREE)

STYLE AND DIMENSION OF REEL (FREE SIZE)

10 DETAIL OF PART No. LABEL

製造年月日	** ** *
製品コード	CL684-****-51
製品名	DF40HC(3.5)-*DS-0.4V(51)
数量	2000
納入者	ヒロセ電機(株)

製品名	H	J	K	L	M	N
DF40HC(3.5)-20DS-0.4V(51)	16	—	7.5	6.9	21.5	17.5
DF40HC(3.5)-24DS-0.4V(51)	16	—	7.5	7.7	21.5	17.5
DF40HC(3.5)-30DS-0.4V(51)	24	—	11.5	8.9	29.5	25.5
DF40HC(3.5)-40DS-0.4V(51)	24	—	11.5	10.9	29.5	25.5
DF40HC(3.5)-44DS-0.4V(51)	24	—	11.5	11.7	29.5	25.5
DF40HC(3.5)-50DS-0.4V(51)	24	—	11.5	12.9	29.5	25.5
DF40HC(3.5)-60DS-0.4V(51)	24	—	11.5	14.9	29.5	25.5
DF40HC(3.5)-70DS-0.4V(51)	32	28.4	14.2	16.9	37.5	33.5
DF40HC(3.5)-80DS-0.4V(51)	32	28.4	14.2	18.9	37.5	33.5
DF40HC(3.5)-90DS-0.4V(51)	44	40.4	20.2	20.9	49.5	45.5
DF40HC(3.5)-100DS-0.4V(51)	44	40.4	20.2	22.9	49.5	45.5

- NOTES
- PER REEL 2000 CONNECTORS.
 - THE DIMENSIONS IN PARENTHESES ARE FOR REFERENCE.
 - REFER TO JIS C 0806(IEC 60286-3)(PACKING OF COMPONENTS FOR AUTOMATIC HANDLING)
 - DETAIL OF PART NO. LABEL IS WRITTEN IN JAPANESE. PART NO. LABEL DESCRIBES THE FOLLOWING INFORMATION FROM TOP.
PRODUCTION DATE:
PRODUCT CODE: CL684-****-51
PART NUMBER: DF40HC(3.5)-*DS-0.4V(51)
NUMBER OF PIECES: 2000 PIECES
SUPPLIER NAME: HIROSE ELECTRIC CO., LTD.
 - 20 TO 60 POSITIONS EMBOSSED CARRIER TAPE HAS THE SPROCKET HOLE ON ONE SIDES.
 - AFTER PACKAGING, ROLL 2 METERS OF THE REINFORCEMENT COLLAR TO OUTER CIRCUMFERENCE OF TAPE AND REEL POCKET, AND TAPE DOWN AT THE END THE COLLAR.

HRS	DRAWING NO.	EDC3-318048-01
	PART NO.	DF40HC(3.5)-*DS-0.4V(51)
	CODE NO.	CL684

Looking for pricing, stock, or lifecycle information?

Click below to explore more details on WIN SOURCE:

- ⊖ [View DF40HC\(3.5\)-60DS-0.4V\(51\) on WIN SOURCE](#)
- ⊖ [Hirose Electric Co Ltd Information](#)

Optimize Your Supply Chain with WIN SOURCE Solutions

- ✓ Global Sourcing Solution
- ✓ Obsolete Management
- ✓ Cost Control Management
- ✓ Shortage Management
- ✓ Alternative Solution
- ✓ Excess Inventory Management