



## Features

- Full-wave Current Sensing
- Mains Supply Variation Compensated
- Programmable Load-current Limitation with Over- and High-load Output
- Variable Soft Start
- Voltage and Current Synchronization
- Automatic Retriggering Switchable
- Triggering Pulse Typically 125 mA
- Internal Supply-voltage Monitoring
- Current Requirement  $\leq 3$  mA
- Temperature-compensated Reference Voltage

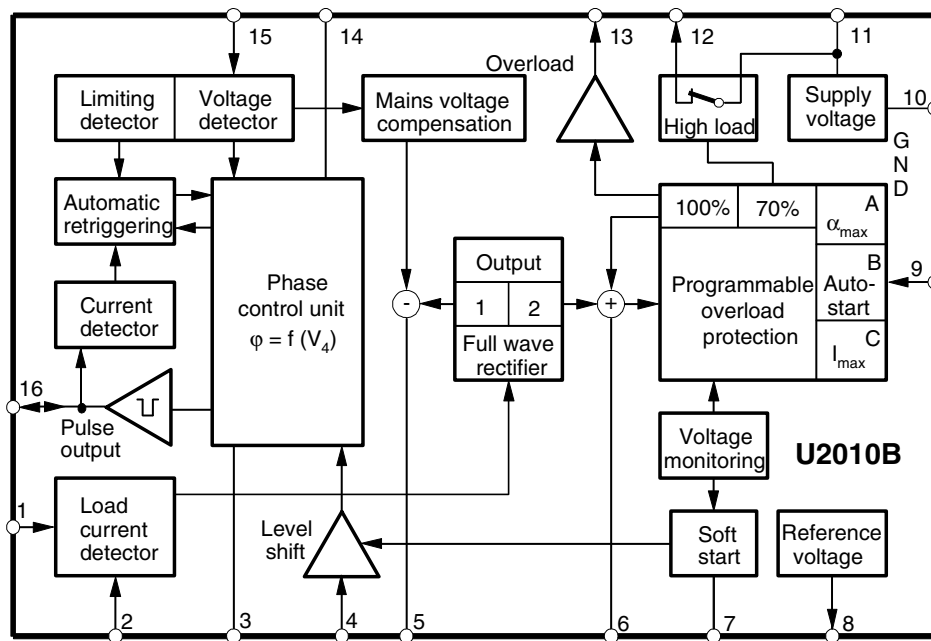
## Applications

- Advanced Motor Control
- Grinder
- Drilling Machine

## Description

The U2010B is designed as a phase-control circuit in bipolar technology for motor control applications with load-current feedback and overload protection. It enables load-current detection and has a soft-start function as well as reference voltage output.

Figure 1. Block Diagram

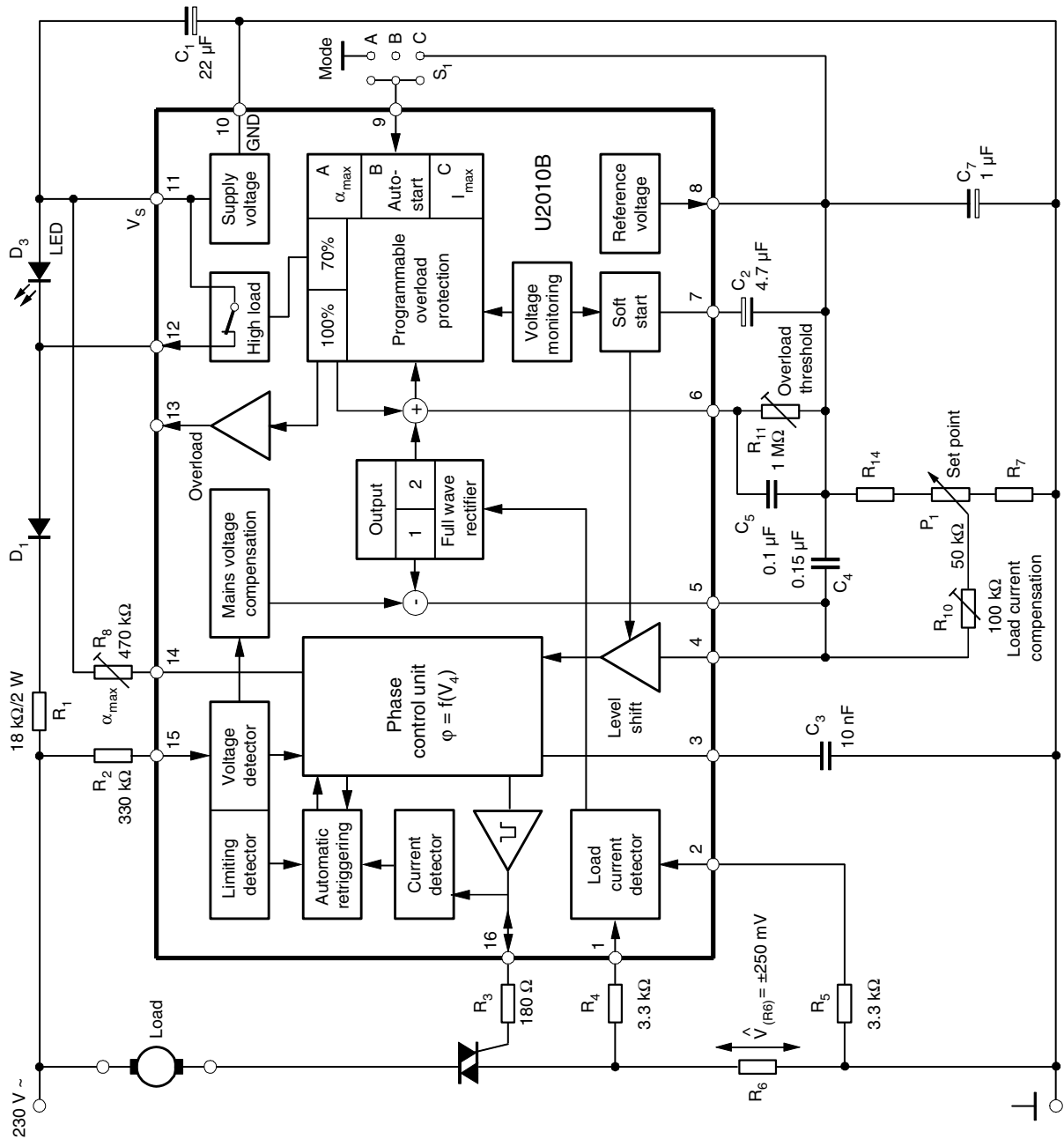


## Phase-control IC with Current Feedback and Overload Protection

## U2010B



**Figure 2.** Block Diagram with External Circuit



## General Description

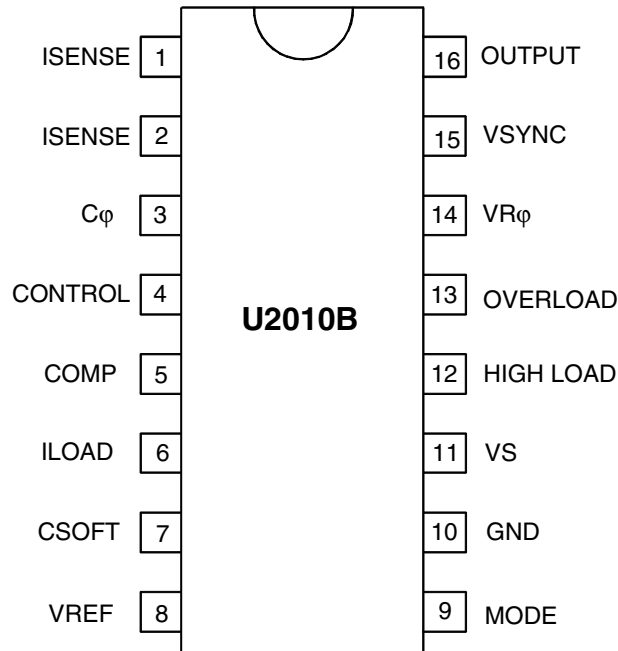
### Mains Supply

The U2010B contains voltage limiting and can be connected with the mains supply via  $D_1$  and  $R_1$ . Supply voltage – between pin 10 and pin 11 – is smoothed by  $C_1$ .

In the case of  $V_6 \leq 70\%$  of the overload threshold voltage, pins 11 and 12 are connected internally whereby  $V_{sat} \leq 1.2$  V. When  $|V_6| \geq |V_{T70}|$ , the supply current flows across  $D_3$ .

## Pin Configuration

**Figure 3.** Pinning DIP16/SO16



## Pin Description

Pin	Symbol	Function
1	ISENSE	Load current sensing
2	ISENSE	Load current sensing
3	$C_{\phi}$	Ramp voltage
4	CONTROL	Control input
5	COMP	Compensation output
6	ILOAD	Load current limitation
7	CSOFT	Soft start
8	VREF	Reference voltage
9	MODE	Mode selection
10	GND	Ground
11	VS	Supply voltage
12	HIGH LOAD	High load indication
13	OVERLOAD	Overload indication
14	$VR_{\phi}$	Ramp current adjust
15	VSYNC	Voltage synchronization
16	OUTPUT	Trigger output

The series resistance  $R_1$  can be calculated as follows:

$$R_{1\max} = \frac{V_{\text{mains}} - V_{\text{Smax}}}{2 \times I_{\text{tot}}}$$

where:

$V_{\text{mains}}$  = Mains supply voltage

$V_{\text{Smax}}$  = Maximum supply voltage

$I_{\text{tot}}$  = Total current consumption =  $I_{\text{Smax}} + I_x$

$I_{\text{Smax}}$  = Maximum current consumption of the IC

$I_x$  = Current consumption of the external components

## Voltage Monitoring

When the voltage is built up, uncontrolled output pulses are avoided by internal voltage monitoring. Apart from that, all latches in the circuit (phase control, load limit regulation) are reset and the soft-start capacitor is short-circuited. This guarantees a specified start-up behavior each time the supply voltage is switched on or after short interruptions of the mains supply. Soft start is initiated after the supply voltage has been built up. This behavior guarantees a gentle start-up for the motor and automatically ensures the optimum run-up time.

## Phase Control

The function of the phase control is mainly identical to the well-known IC U211B. The phase angle of the trigger pulse is derived by comparing the ramp voltage  $V_3$ , which is mains-synchronized by the voltage detector, with the set value on the control input, pin 4. The slope of the ramp is determined by  $C_\phi$  and its charging current  $I_\phi$ . The charging current can be varied using  $R_\phi$  at pin 14. The maximum phase angle,  $\alpha_{\max}$ , can also be adjusted by using  $R_\phi$  (minimum current flow angle  $\phi_{\min}$ ), see Figure 5 on page 10.

When the potential on pin 3 reaches the set point level of pin 4, a trigger pulse width,  $t_p$ , is determined from the value of  $C_\phi$  ( $t_p = 9 \mu\text{s}/n\text{F}$ ). At the same time, a latch is set with the output pulse as long as the automatic retriggering has not been activated. When this happens, no more pulses can be generated in that half cycle. The control input at pin 4 (with respect to pin 10) has an active range from  $V_8$  to -1 V. When  $V_4 = V_8$ , then the phase angle is at its maximum,  $\alpha_{\max}$ , i.e., the current flow angle is minimum. The minimum phase angle,  $\alpha_{\min}$ , is set with  $V_4 \geq -1$  V.

## Automatic Retriggering

The current-detector circuit monitors the state of the triac after triggering by measuring the voltage drop at the triac gate. A current flow through the triac is recognized when the voltage drop exceeds a threshold level of typically 40 mV.

If the triac is quenched within the relevant half-wave after triggering (for example owing to low load currents before or after the zero crossing of the current wave, or for commutator motors, owing to brush lifters), the automatic retriggering circuit ensures immediate retriggering, if necessary with a high repetition rate,  $t_{pp}/t_p$ , until the triac remains reliably triggered.

## Current Synchronization

Current synchronization fulfils two functions:

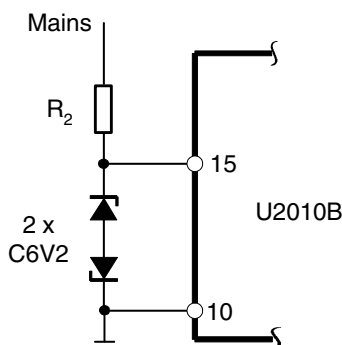
- Monitoring the current flow after triggering.  
In case the triac extinguishes again or does not switch on, automatic triggering is activated until the triggering is successful.
- Avoiding triggering due to an inductive load.  
In the case of inductive load operation, the current synchronization ensures that in the new half wave, no pulse will be enabled as long as there is a current available from the previous half wave, which flows from the opposite polarity to the actual supply voltage.

The current synchronization as described above is a special feature of the U2010B. The device evaluates the voltage at the pulse output between gate and reference electrode of the triac. As a result, no separate current synchronization input with specified series resistance is necessary.

## Voltage Synchronization with Mains Voltage Compensation

The voltage detector synchronizes the reference ramp with the mains supply voltage. At the same time, the mains-dependent input current at pin 15 is shaped and rectified internally. This current activates the automatic retriggering and at the same time is available at pin 5. By suitable dimensioning, it is possible to obtain the specified compensation effect. Automatic retriggering and mains voltage compensation are not activated until  $|V_{15-10}|$  increases to 8 V. The resistance  $R_{sync}$  defines the width of the zero voltage cross over pulse, synchronization current, and hence the mains supply voltage compensation current.

**Figure 4.** Suppression of Mains Voltage Compensation and Retriquer Automatic



If the mains voltage compensation and the automatic retriggering are not required, both functions can be suppressed by limiting  $|V_{15-10}| \leq 7 \text{ V}$ , see Figure 4.

## Load-current Compensation

The circuit continuously measures the load current as a voltage drop at resistance  $R_6$ . The evaluation and use of both half waves results in a quick reaction to load-current change. Due to the voltage at resistance  $R_6$ , there is a difference between both input currents at pins 1 and 2. This difference controls the internal current source, whose positive current values are available at pins 5 and 6. The output current generated at pin 5 contains the difference from the load-current detection and from the mains voltage compensation, see Figure 2 on page 2.

The efficient impedance of the set-point network generates a voltage at pin 4. A current, flowing out of pin 5 through  $R_{10}$ , modulates this voltage. An increase of mains voltage causes the increase of control angle  $\alpha$ , an increase of load current results in a decrease in the control angle. This avoids a decrease in revolution by increasing the load as well as an increase of revolution by the increment of the mains supply voltage.

### Load-current Limitation

The total output load current is available at pin 6. It results in a voltage drop across  $R_{11}$ . When the potential of the load current reaches about 70% of the threshold value ( $V_{T70}$ ), i.e., about 4.35 V at pin 6, it switches the high-load comparator and opens the switch between pins 11 and 12. By using an LED between these pins (11 and 12), a high-load indication can be realized.

If the potential at pin 6 increases to about 6.2 V ( $= V_{T100}$ ), it switches the overload comparator. The result is programmable at pin 9 (operation mode).

### Mode Selection

- a)  $\alpha_{\max}$  ( $V_9 = 0$ )  
 In this mode of operation, pin 13 switches to  $-V_S$  (pin 11) and pin 6 to GND (pin 10) after  $V_6$  has reached the threshold  $V_{T100}$ . A soft-start capacitor is then shorted and the control angle is switched to  $\alpha_{\max}$ . This position is maintained until the supply voltage is switched off. The motor can be started again with the soft-start function when the power is switched on again. As the overload condition switches pin 13 to pin 11, it is possible to use a smaller control angle,  $\alpha_{\max}$ , by connecting a further resistance between pins 13 and 14.
- b) Auto start (pin 9 – open), see Figure 12 on page 12  
 The circuit behaves as described above, with the exception that pin 6 is not connected to GND. If the value of  $V_6$  decreases to 25% of the threshold value ( $V_{T25}$ ), the circuit becomes active again with soft start.
- c)  $I_{\max}$  ( $V_9 = V_8$ ), see Figure 14 on page 13  
 When  $V_6$  has reached the maximum overload threshold value (i.e.,  $V_6 = V_{T100}$ ), pin 13 is switched to pin 8 ( $V_{Ref}$ ) through the resistance  $R$  ( $= 2 \text{ k}\Omega$ ) without the soft-start capacitor discharging at pin 7. With this mode of operation, direct load-current control ( $I_{\max}$ ) is possible.

## Absolute Maximum Ratings

Stresses beyond those listed under “Absolute Maximum Ratings” may cause permanent damage to the device. This is a stress rating only and functional operation of the device at these or any other conditions beyond those indicated in the operational sections of this specification is not implied. Exposure to absolute maximum rating conditions for extended periods may affect device reliability.

Reference point pin 10, unless otherwise specified.

Parameters	Pin	Symbol	Value	Unit
Sink current $t \leq 10 \mu\text{s}$	11	$-I_S$	30	mA
	11	$-i_s$	100	mA
Synchronous currents $t \leq 10 \mu\text{s}$	15	$\pm I_{\text{syncV}}$	5	mA
	15	$\pm i_{\text{syncV}}$	5	mA
<b>Phase Control</b>				
Control voltage	4, 8	$-V_I$	$0 - V_8$	V
Input current	4	$\pm I_I$	500	$\mu\text{A}$
Charging current	14	$-I_{\text{jtmax}}$	0.5	mA
<b>Soft Start</b>				
Input voltage	7, 8	$-V_I$	$0 - V_8$	V
<b>Pulse Output</b>				
Input voltage	16	$+V_I$	2	V
		$-V_I$	$V_{11}$	V
<b>Reference Voltage Source</b>				
Output current $t \leq 10 \mu\text{s}$	8	$I_o$	10	mA
	8	$I_o$	30	mA
<b>Load-current Sensing</b>				
Input currents	1, 2	$\pm I_i$	1	mA
Input voltages	5, 6	$-V_i$	$0 - V_8$	V
Overload output	13	$I_L$	1	mA
High-load output $t \leq 10 \mu\text{s}$	12	$I_L$	30	mA
	12	$I_L$	100	mA
Storage temperature range		$T_{\text{stg}}$	-40 to +125	$^{\circ}\text{C}$
Junction temperature range		$T_j$	125	$^{\circ}\text{C}$
Ambient temperature range		$T_{\text{amb}}$	-10 to +100	$^{\circ}\text{C}$

## Thermal Resistance

Parameters		Symbol	Value	Unit
Junction ambient	DIP16	$R_{\text{thJA}}$	120	K/W
	SO16 on p.c.	$R_{\text{thJA}}$	180	K/W
	SO16 on ceramic	$R_{\text{thJA}}$	100	K/W

## Electrical Characteristics

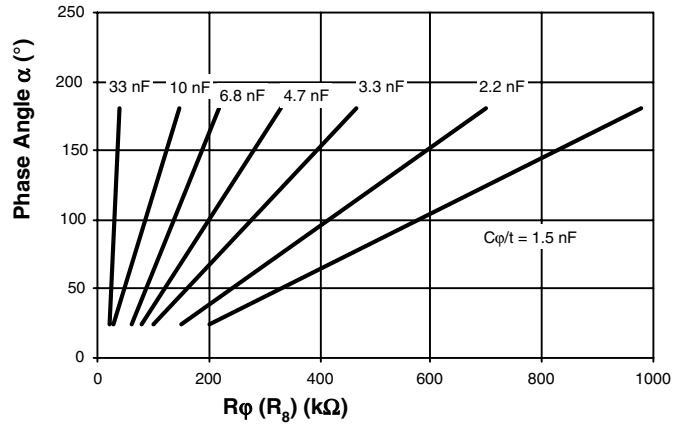
Parameters	Test Conditions	Pin	Symbol	Min.	Typ.	Max.	Unit
<b>Supply</b>		11					
Supply-voltage limitation	$-I_S = 3.5 \text{ mA}$ $-I_S = 30 \text{ mA}$		$-V_S$ $-V_S$	14.5 14.6		16.5 16.8	V V
Current requirement	$-V_S = 13.0 \text{ V}$	1, 2, 8 and 15 open	$-I_S$			3.6	mA
<b>Reference Voltage Source</b>		8					
Reference voltage	$I_L = 10 \text{ }\mu\text{A}$ $I_L = 2.5 \text{ mA}$		$-V_{\text{Ref}}$ $-V_{\text{Ref}}$	8.6 8.4	8.9 8.8	9.2 9.1	V V
Temperature coefficient	$I_S = 2.5 \text{ mA}$ $I_S = 10 \text{ }\mu\text{A}$		$TC_{V_{\text{Ref}}}$ $TC_{V_{\text{Ref}}}$		-0.004 +0.006		%/K %/K
<b>Voltage Monitoring</b>		11					
Turn-on threshold			$-V_{\text{Son}}$		11.3	12.3	V
<b>Phase Control Synchronization</b>		15					
Input current	Voltage sync.		$\pm I_{\text{syncV}}$	0.15		2	mA
Voltage limitation	$\pm I_L = 2 \text{ mA}$		$\pm V_{\text{syncV}}$	8.0	8.5	9.0	V
Input current	Current synchronization	16	$\pm I_{\text{syncI}}$	3		30	$\mu\text{A}$
<b>Reference Ramp, see Figure 5 on page 10</b>							
Charging current		14	$-I_\phi$	1		100	$\mu\text{A}$
Start voltage		3	$-V_{\text{max}}$	1.85	1.95	2.05	V
Temperature coefficient of start voltage		3	$TC_R$		-0.003		%/K
Final voltage		3	$-V_{\text{min}}$	$(V_8 \pm 200 \text{ mV})$			
$R_\phi$ - reference voltage	$I_\phi = 10 \text{ }\mu\text{A}$	11, 14	$V_{R\phi}$	0.96	1.02	1.10	V
Temperature coefficient	$I_\phi = 10 \text{ }\mu\text{A}$ $I_\phi = 1 \text{ }\mu\text{A}$	14	$TC_{V_{R\phi}}$ $TC_{V_{R\phi}}$		0.03 0.06		%/K %/K
Pulse output current	$V_{16} = -1.2 \text{ V}$ , Figure 6 on page 10	16	$I_0$	100	125	150	mA
Output pulse width	$V_S = V_{\text{limit}}$ $C_3 = 3.3 \text{ nF}$ , see Figure 7 on page 11	16	$t_p$		30		$\mu\text{s}$
<b>Automatic Retriggering</b>							
Repetition rate	$I_{15} \geq 150 \text{ }\mu\text{A}$		$t_{pp}$	3	5	7.5	$t_p$
Threshold voltage		16	$\pm V_I$	20		60	mV
<b>Soft Start, see Figure 8 on page 11 and Figure 9 on page 11</b>		7					
Starting current	$V_7 = V_8$		$-I_0$	5	10	15	$\mu\text{A}$
Final current	$V_{7-10} = -1\text{V}$		$-I_0$	15	25	40	$\mu\text{A}$
Discharge current			$+I_0$	0.5			mA
Output current		4	$+I_0$	0.2		2	mA
<b>Mains Voltage Comensation see Figure 10 on page 12</b>		15					
Transfer gain	$I_{15}/I_5$	15/5 (1 and 2 open)	$G_i$	14	17	20	
Output offset current	$V_{(R6)} = V_{15} = V_5 = 0$		$\pm I_0$			2	$\mu\text{A}$

**Electrical Characteristics (Continued)**

Parameters	Test Conditions	Pin	Symbol	Min.	Typ.	Max.	Unit
<b>Load-current Detection, <math>R_1 = R_2 = 3\text{ k}\Omega</math>, <math>V_{15} = 0</math>, <math>V_5 = V_6 = V_8</math>, see Figure 11 on page 12</b>							
Transfer gain	$I_5/150\text{ mV}$ , $I_6/150\text{ mV}$		$G_I$	0.28	0.32	0.37	$\mu\text{A/mV}$
Output offset currents		5, 6, 7, 8	$-I_0$	0	3	6	$\mu\text{A}$
Reference voltage	$I_1, I_2 = 100\ \mu\text{A}$	1, 2	$-V_{\text{Ref}}$	300		400	mV
Shunt voltage amplitude	See Figure 2 on page 2		$\pm V_{(R6)}$			250	mV
<b>Load-current Limitation</b> 6, 7, 8							
High load switching	Threshold $V_{T70}$ Figure 13 on page 13		$V_{T70}$	4	4.35	4.7	V
Overload switching	Threshold $V_{T100}$ Figure 14 on page 13 Figure 15 on page 13		$V_{T100}$	5.8	6.2	6.6	V
Restart switching	Threshold $V_{T25}$ Figure 12 on page 12		$V_{T25}$	1.25	1.55	1.85	V
Input current	Enquiry mode		$I_i$			1	$\mu\text{A}$
Output impedance	Switching mode		$R_0$	2	4	8	$\text{k}\Omega$
<b>Programming Input, see Figure 2 on page 2</b> 9							
Input voltage - auto-start		9 open	$-V_9$	3.8	4.3	4.7	V
Input current	$V_9 = 0$ ( $a_{\text{max}}$ )		$-I_9$	5	10	20	$\mu\text{A}$
	$V_9 = V_8$ ( $I_{\text{max}}$ )		$I_9$	5	10	20	$\mu\text{A}$
<b>High Load Output, <math>V_{T70}</math>, see Figure 13 on page 13, <math>I_{12} = -3\text{mA}</math></b> 11, 12							
Saturation voltages	$V_{6-8} \leq V_{T70}$		$V_{\text{sat}}$	0.5	0.75	1.0	V
	$V_{6-8} \geq V_{T70}$		$V_{\text{lim}}$	7.0	7.4	7.8	V
<b>Overload Output, <math>V_{T100}</math>, <math>V_9 = \text{Open}</math> or <math>V_9 = V_{10}</math>, see Figure 14 on page 13</b>							
Leakage current	$V_{6-8} \leq V_{T25}$ , $V_{13} = (V_{11}+1)\text{V}$	13	$I_{\text{lk}}$			0.5	$\mu\text{A}$
Saturation voltages	$V_{6-8} \geq V_{T100}$ , $I_{13} = 10\ \mu\text{A}$	11, 12, 13	$V_{\text{sat}}$			0.1	V
Output current, maximum load	$V_9 = V_8$ , see Figure 14 on page 13	13	$I_{13}$			1	mA
Leakage current	$V_6 \leq V_{T100}$	13	$I_{\text{lk}}$			4	$\mu\text{A}$
Output impedance	Open collector, $V_6 \geq V_{T100}$	13	$R_0$	2	4	8	$\text{k}\Omega$
Saturation voltage	$V_{6-8} \geq V_{T100}$ , $I_{13} = 10\ \mu\text{A}$	13	$V_{13-8}$		100		mV

## Diagrams

**Figure 5. Ramp Control**



**Figure 6. Pulse Output**

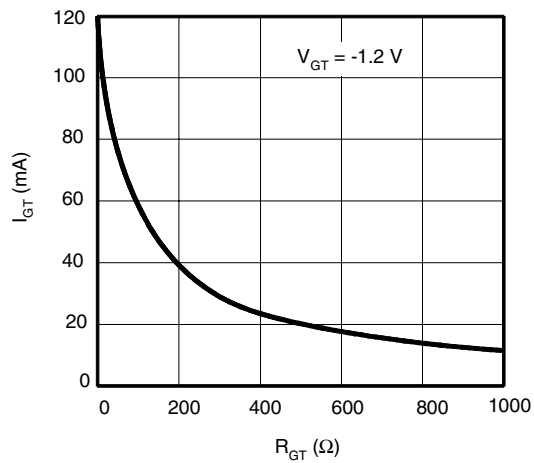


Figure 7. Output Pulse Width

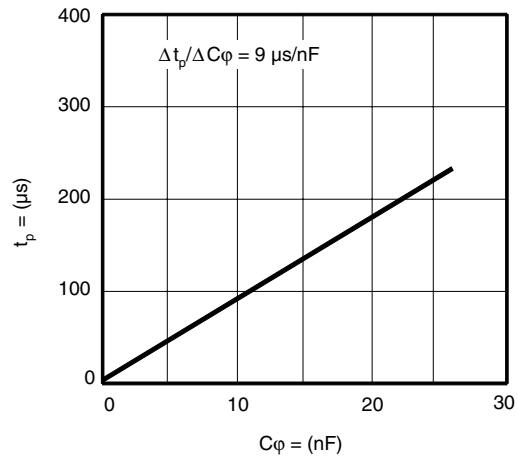


Figure 8. Soft-start Charge Current

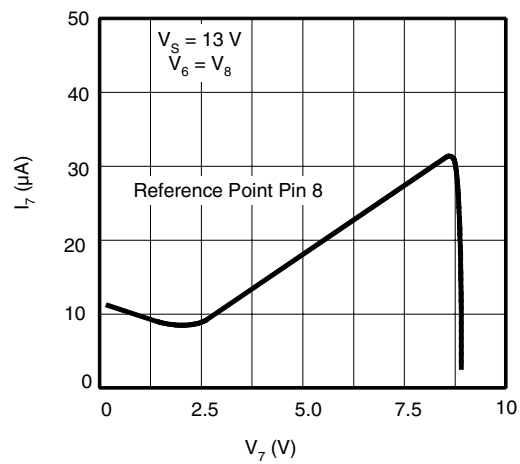
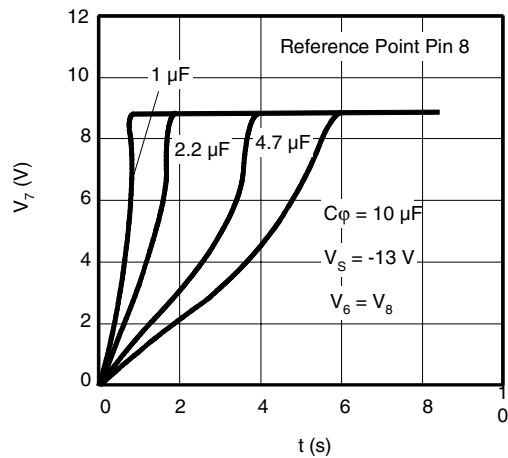
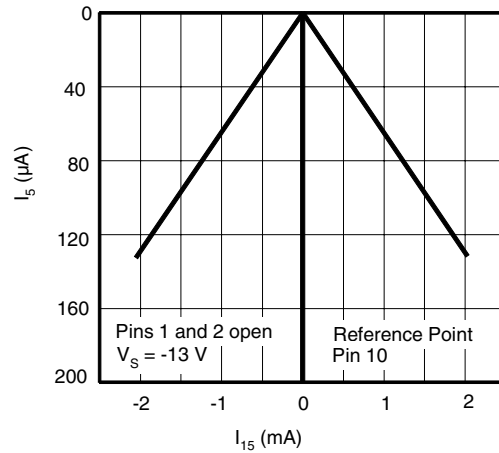


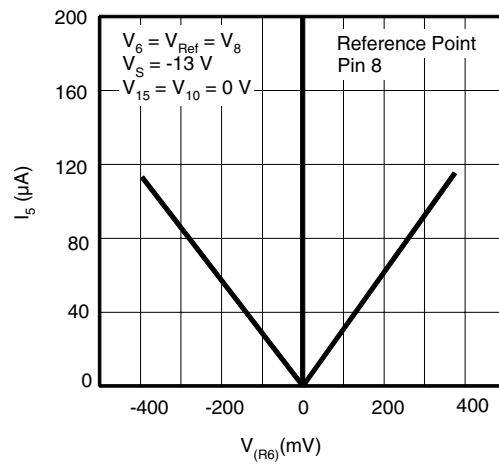
Figure 9. Soft-start Characteristic



**Figure 10. Mains Voltage Compensation**



**Figure 11. Load-current Detection**



**Figure 12. Restart Switching Auto Start Mode**

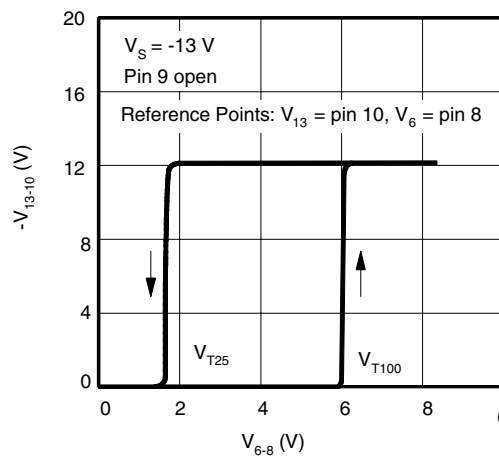


Figure 13. High Load Switching (70%)

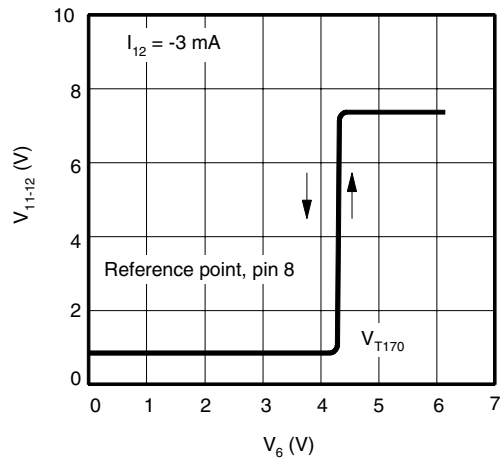


Figure 14. Overload Switching

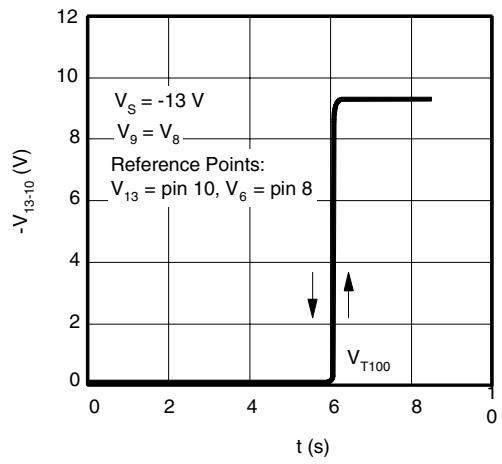
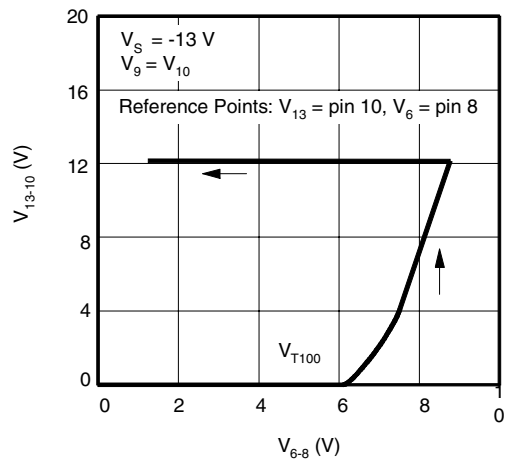
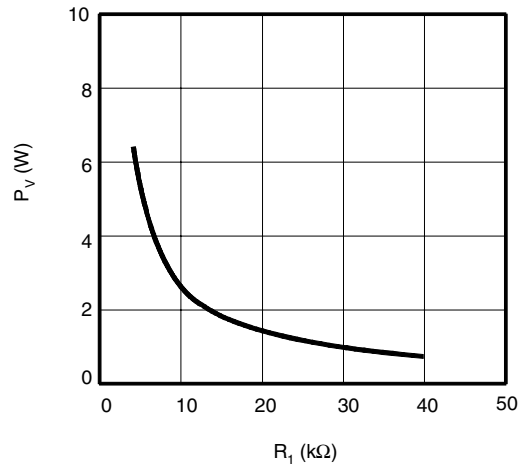


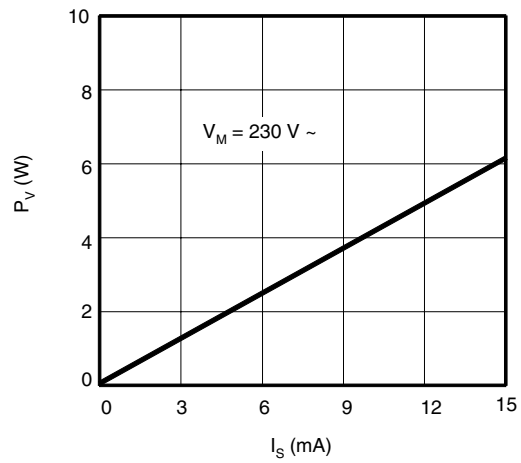
Figure 15. Load Limitation



**Figure 16.** Power Dissipation of  $R_1$



**Figure 17.** Power Dissipation of  $R_1$  According to Current Consumption



**Figure 18.** Maximum Resistance of  $R_1$

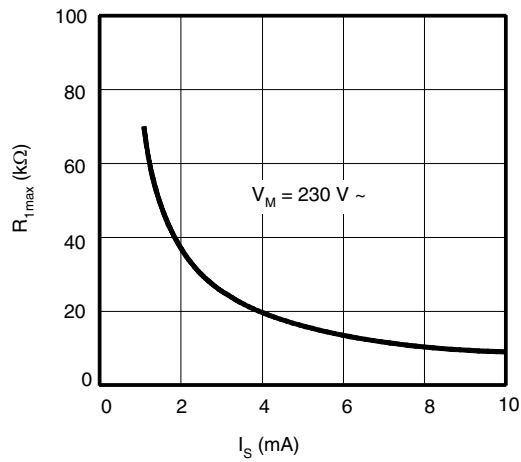
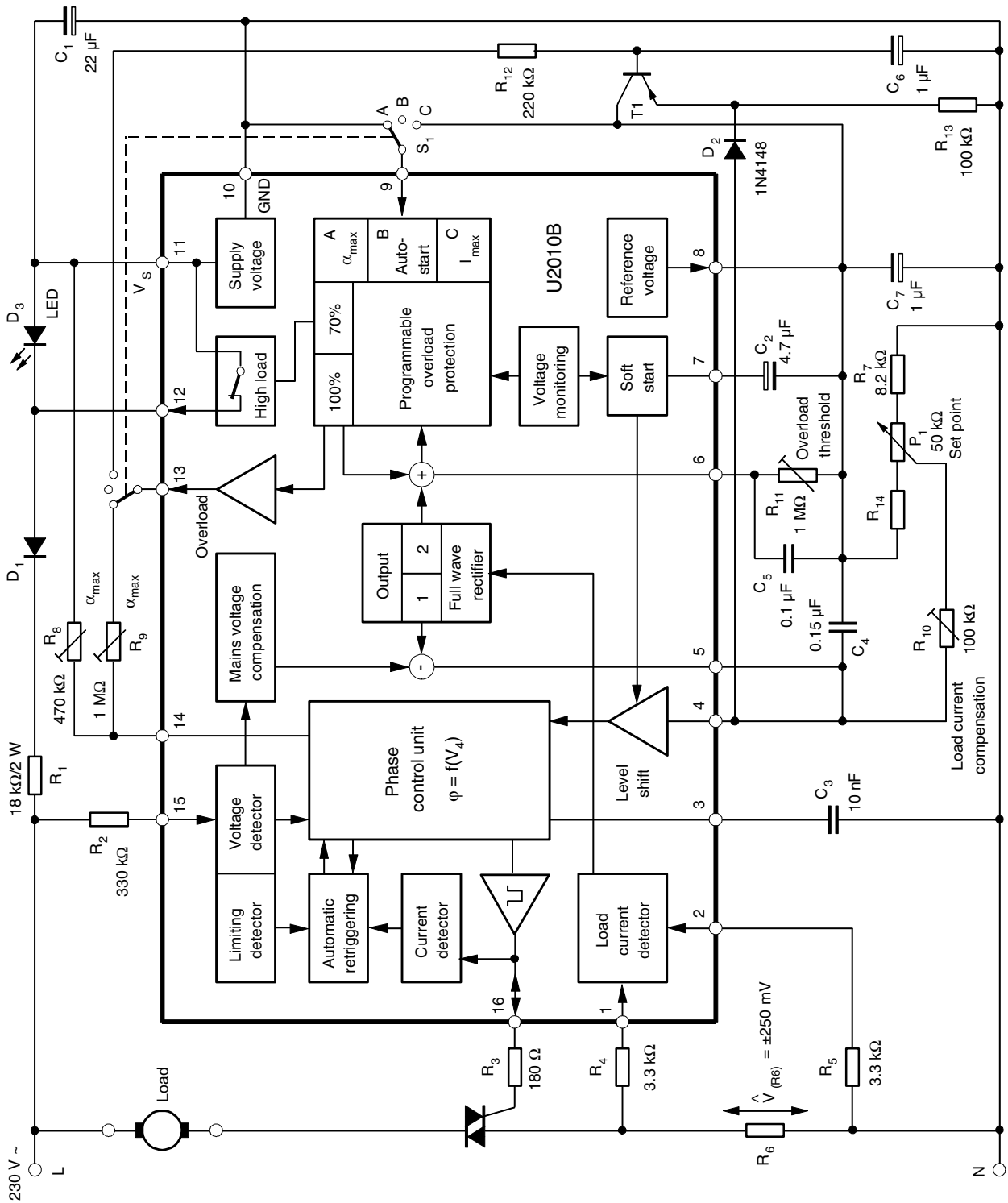


Figure 19. Application Circuit

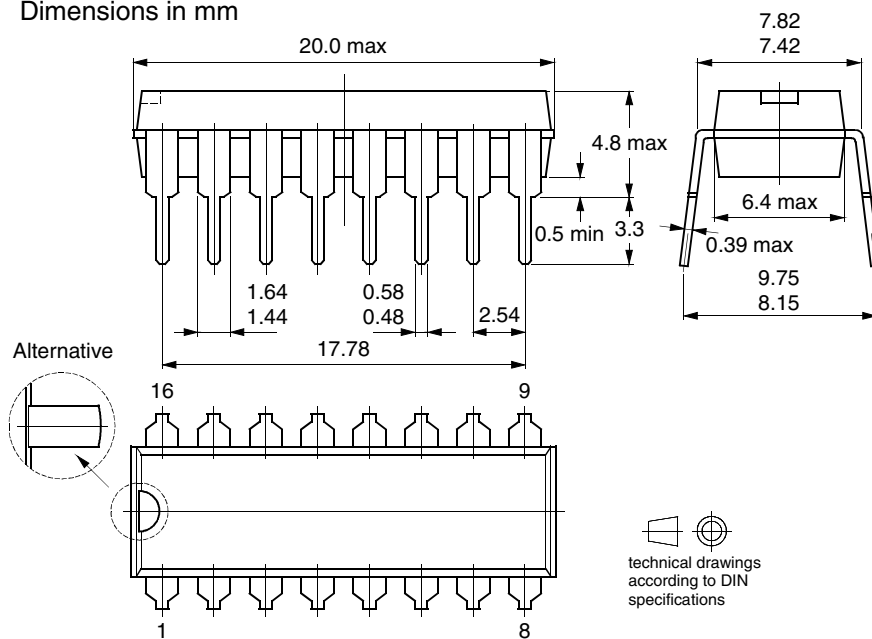


## Ordering Information

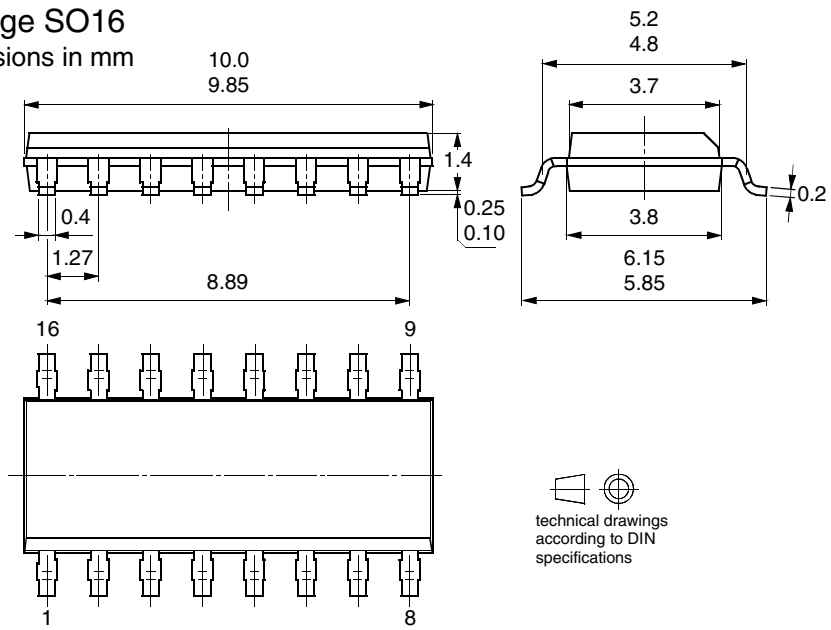
Extended Type Number	Package	Remarks
U2010B-x	DIP16	Tube
U2010B-xFP	SO16	Tube
U2010B-xFPG3	SO16	Taped and reeled

## Package Information

Package DIP16  
Dimensions in mm



Package SO16  
 Dimensions in mm





## Atmel Corporation

2325 Orchard Parkway  
San Jose, CA 95131, USA  
Tel: 1(408) 441-0311  
Fax: 1(408) 487-2600

## Regional Headquarters

### Europe

Atmel Sarl  
Route des Arsenaux 41  
Case Postale 80  
CH-1705 Fribourg  
Switzerland  
Tel: (41) 26-426-5555  
Fax: (41) 26-426-5500

### Asia

Room 1219  
Chinachem Golden Plaza  
77 Mody Road Tsimshatsui  
East Kowloon  
Hong Kong  
Tel: (852) 2721-9778  
Fax: (852) 2722-1369

### Japan

9F, Tonetsu Shinkawa Bldg.  
1-24-8 Shinkawa  
Chuo-ku, Tokyo 104-0033  
Japan  
Tel: (81) 3-3523-3551  
Fax: (81) 3-3523-7581

## Atmel Operations

### Memory

2325 Orchard Parkway  
San Jose, CA 95131, USA  
Tel: 1(408) 441-0311  
Fax: 1(408) 436-4314

### Microcontrollers

2325 Orchard Parkway  
San Jose, CA 95131, USA  
Tel: 1(408) 441-0311  
Fax: 1(408) 436-4314

La Chantrerie  
BP 70602  
44306 Nantes Cedex 3, France  
Tel: (33) 2-40-18-18-18  
Fax: (33) 2-40-18-19-60

### ASIC/ASSP/Smart Cards

Zone Industrielle  
13106 Rousset Cedex, France  
Tel: (33) 4-42-53-60-00  
Fax: (33) 4-42-53-60-01

1150 East Cheyenne Mtn. Blvd.  
Colorado Springs, CO 80906, USA  
Tel: 1(719) 576-3300  
Fax: 1(719) 540-1759

Scottish Enterprise Technology Park  
Maxwell Building  
East Kilbride G75 0QR, Scotland  
Tel: (44) 1355-803-000  
Fax: (44) 1355-242-743

### RF/Automotive

Theresienstrasse 2  
Postfach 3535  
74025 Heilbronn, Germany  
Tel: (49) 71-31-67-0  
Fax: (49) 71-31-67-2340

1150 East Cheyenne Mtn. Blvd.  
Colorado Springs, CO 80906, USA  
Tel: 1(719) 576-3300  
Fax: 1(719) 540-1759

### Biometrics/Imaging/Hi-Rel MPU/ High Speed Converters/RF Datacom

Avenue de Rochepleine  
BP 123  
38521 Saint-Egreve Cedex, France  
Tel: (33) 4-76-58-30-00  
Fax: (33) 4-76-58-34-80

---

### Literature Requests

[www.atmel.com/literature](http://www.atmel.com/literature)

**Disclaimer:** Atmel Corporation makes no warranty for the use of its products, other than those expressly contained in the Company's standard warranty which is detailed in Atmel's Terms and Conditions located on the Company's web site. The Company assumes no responsibility for any errors which may appear in this document, reserves the right to change devices or specifications detailed herein at any time without notice, and does not make any commitment to update the information contained herein. No licenses to patents or other intellectual property of Atmel are granted by the Company in connection with the sale of Atmel products, expressly or by implication. Atmel's products are not authorized for use as critical components in life support devices or systems.

© Atmel Corporation 2004. All rights reserved.

Atmel® and combinations thereof are the registered trademarks of Atmel Corporation or its subsidiaries.

Other terms and product names may be the trademarks of others.



Printed on recycled paper.

4766A-INDCO-01/04

## Looking for pricing, stock, or lifecycle information?

Click below to explore more details on WIN SOURCE:

-  [View U2010B-MFP on WIN SOURCE](#)
-  [Microchip Technology](#) Information

## Optimize Your Supply Chain with WIN SOURCE Solutions

-  Global Sourcing Solution
-  Obsolete Management
-  Cost Control Management
-  Shortage Management
-  Alternative Solution
-  Excess Inventory Management