



THE DATASHEET OF ELM239100



ELM SERIES PART NUMBERING SCHEME

REV	ECN	APPD
A	3891	JEC 12/22/99
B	5742	RN 12/28/05

ELM

NUMBER OF POSITIONS
(ASSEMBLIES COMPRISED OF TWO
AND/OR THREE POS MODULES)

STYLE
1=HORIZONTAL WIRE ENTRY
3=ANGLED WIRE ENTRY
9=VERTICAL WIRE ENTRY

CENTERLINE SPACING

1 = .197" (5MM)
2 = .200"
3 = .394" (10MM) W/ PLUG INSERT, CONTACT LEADING
4 = .400" W/ PLUG INSERT, CONTACT LEADING
5 = .394" (10MM) W/ PLUG INSERT, PLUG LEADING
6 = .400" W/ PLUG INSERT, PLUG LEADING

OPTIONS
00=BLACK (STANDARD)
0G=GREEN

CONSULT PCD FOR PART NO. AND
AVAILABILITY OF FOLLOWING OPTIONS:
- CUSTOM COLORS
- CUSTOM MARKING
- LOCK-DOWN EARS



RATINGS

CURRENT - 10A
VOLTAGE - 300V, 600V*
U.L. FILE NO. E83421



RATINGS

CURRENT - 10A
VOLTAGE - 300V, 600V*
CSA FILE NO. LR69703

DIN VDE 0627:1986
DIN VDE 0110-1:1989
EN 60947-1:1991
EN 60947-7-1:1992

CURRENT - N/A
VOLTAGE - N/A
TUV FILE NO. N/A

* PENDING
CL SPACING CODE:
3, 4, 5, 6

INSTALLATION
RECOMMENDATIONS:
WIRE RANGE: AWG #12-28
WIRE STRIP LENGTH: .250"
TIGHTENING TORQUE: 7 LB-IN.

MATERIALS:
HOUSING: PBT, UL 94 V-0
CONTACT: BRASS, TIN FINISH
SCREW: COPPER ALLOY, NICKEL FINISH
WIRE CLAMP: COPPER ALLOY, NICKEL FINISH

MAX OPERATING TEMPERATURE:
105°C

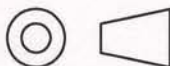
DIMENSIONS

ANSI Y14.5M
UNITS: INCHES
ACAD FILE

TOLERANCES

.XX ±.01
.XXX ±.005
ANGLES ±2°

PROJECTION



Amphenol Pcd

SPECIFICATION DRAWING

ENGR
J. WILKINSON 12/22/99

CHKD
A. PATRIE 12/8/98

APPD
J. CAHALY 12-11-98

TITLE

ELM SERIES
TERMINAL BLOCK
BOARD MOUNT

ORIGINAL
STAMPED
IN RED

*THIS DOCUMENT CONTAINS
PROPRIETARY INFORMATION WHICH
IS THE CONFIDENTIAL PROPERTY
OF AMPHENOL PCD INC. PEABODY, MA*

SIZE DWG NO.

A

ELM021100

REV

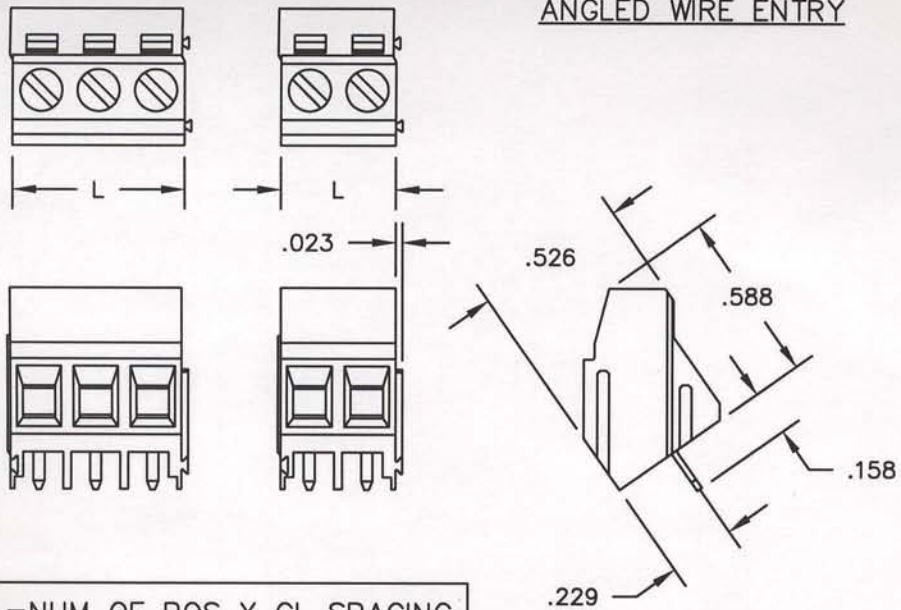
B

CODE: 58982

SCALE: NONE

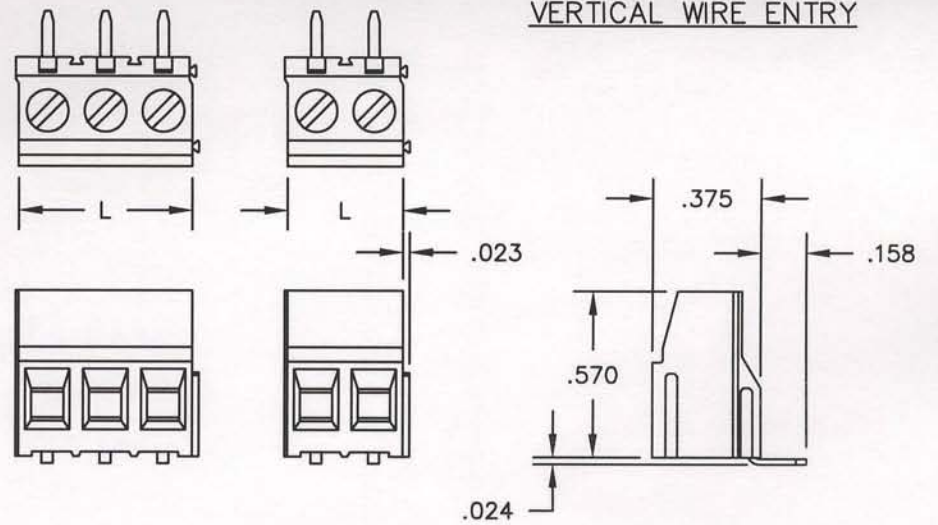
SHEET 1 OF 3

ANGLED WIRE ENTRY



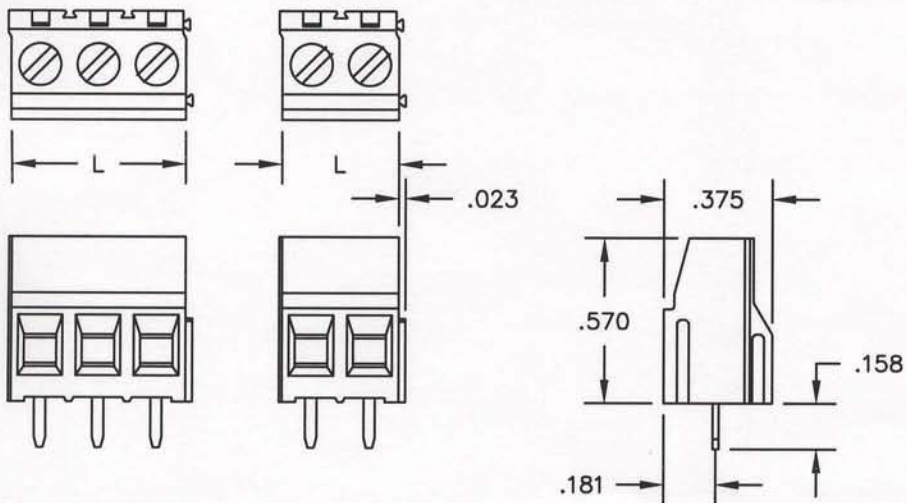
L=NUM OF POS X CL SPACING

VERTICAL WIRE ENTRY



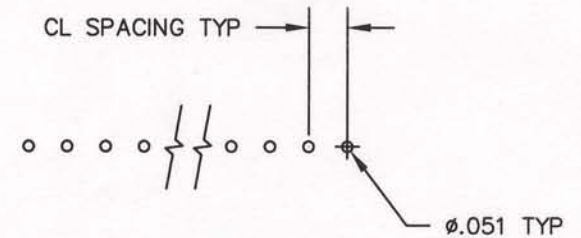
L=NUM OF POS X CL SPACING

HORIZONTAL WIRE ENTRY



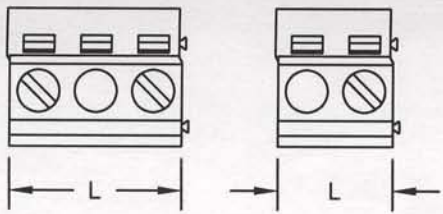
L=NUM OF POS X CL SPACING

PRINTED CIRCUIT BOARD CONFIGURATION



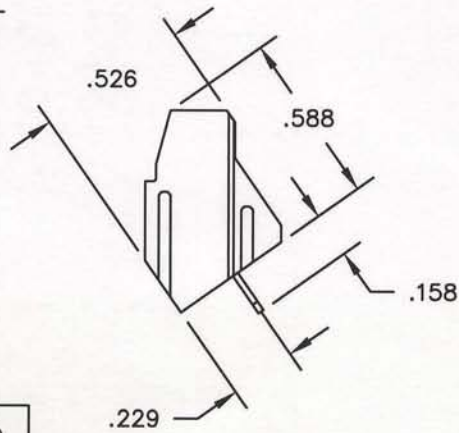
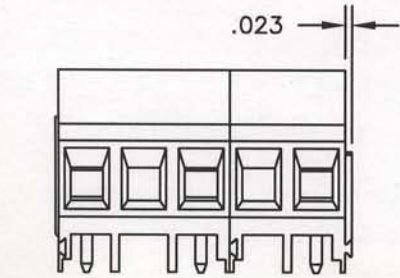
RECOMMENDED PCB THICKNESS: .062±.008

SIZE	DWG NO.	REV
A	ELM021100	B
CODE: 58982	SCALE: NONE	SHEET 2 OF 3

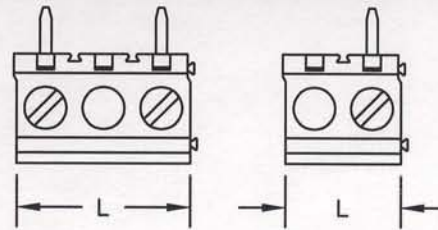


ANGLED WIRE ENTRY

.400" / 10MM CL

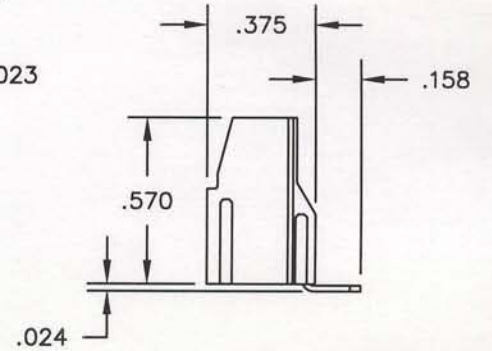
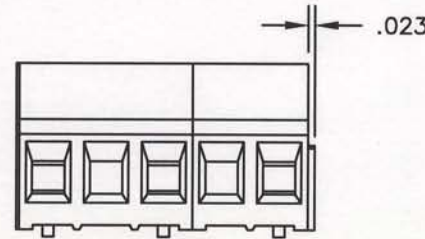


$L = \text{NUM OF POS} \times \text{CL} - \text{CL}/2$

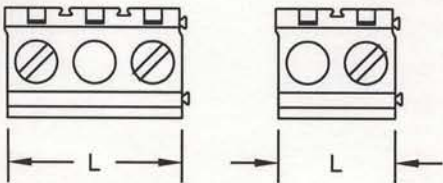


VERTICAL WIRE ENTRY

.400" / 10MM CL

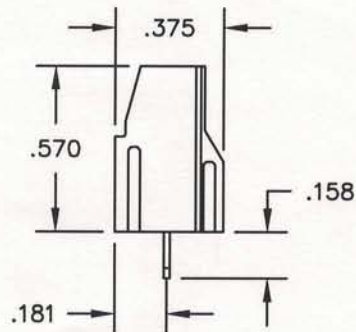
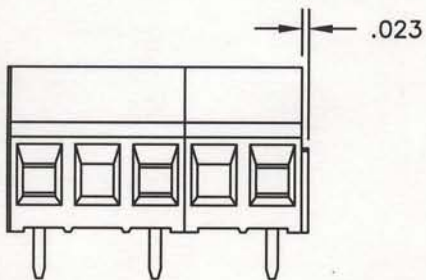


$L = \text{NUM OF POS} \times \text{CL} - \text{CL}/2$



HORIZONTAL WIRE ENTRY

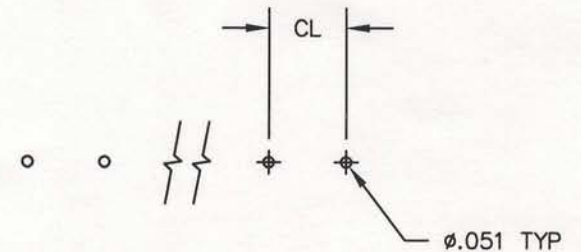
.400" / 10MM CL



$L = \text{NUM OF POS} \times \text{CL} - \text{CL}/2$

PRINTED CIRCUIT BOARD CONFIGURATION

.400" / 10MM CL





RECOMMENDED PCB THICKNESS: .062±.008

SIZE	DWG NO.	REV
A	ELM021100	B
CODE: 58982	SCALE: NONE	SHEET 3 OF 3

Looking for pricing, stock, or lifecycle information?

Click below to explore more details on WIN SOURCE:

-  [View ELM239100 on WIN SOURCE](#)
-  [Amphenol PCD Information](#)

Optimize Your Supply Chain with WIN SOURCE Solutions

-  Global Sourcing Solution
-  Obsolete Management
-  Cost Control Management
-  Shortage Management
-  Alternative Solution
-  Excess Inventory Management