



**THE DATASHEET OF
SP1485EMN-L**





Is Now A Part Of

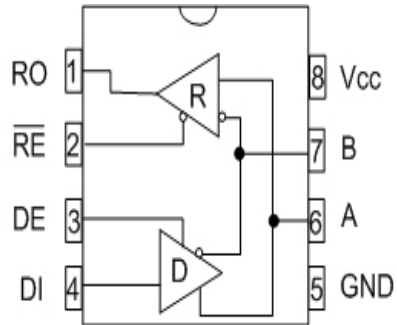


Visit www.maxlinear.com
for more information about
MaxLinear Inc.



Enhanced Low Power Half-Duplex RS-485 Transceivers

- +5V Only
- Low Power BiCMOS
- Driver/Receiver Enable for Multi-Drop configurations
- Low Power Shutdown Mode (SP1481E)
- Enhanced ESD Specifications:
 - ±15KV Human Body Model
 - ±15KV IEC61000-4-2 Air Discharge



Now Available in Lead Free Packaging

DESCRIPTION

The SP1481E and the SP1485E are a family of half-duplex transceivers that meet the specifications of RS-485 and RS-422 serial protocols with enhanced ESD performance. The ESD tolerance has been improved on these devices to over $\pm 15\text{KV}$ for both Human Body Model and IEC61000-4-2 Air Discharge Method. These devices are pin-to-pin compatible with Exar's SP481 and SP485 devices as well as popular industry standards. As with the original versions, the SP1481E and the SP1485E feature Exar's BiCMOS design allowing low power operation without sacrificing performance. The SP1481E and SP1485E meet the requirements of the RS-485 and RS-422 protocols up to 20Mbps under load. The SP1481E is equipped with a low power Shutdown mode.

ABSOLUTE MAXIMUM RATINGS

These are stress ratings only and functional operation of the device at these ratings or any other above those indicated in the operation sections of the specifications below is not implied. Exposure to absolute maximum rating conditions for extended periods of time may affect reliability.

V_{CC}+7V

Input Voltages

Logic.....-0.3V to ($V_{CC}+0.5V$)
 Drivers.....-0.3V to ($V_{CC}+0.5V$)
 Receivers..... $\pm 15V$

Output Voltages

Logic.....-0.3V to ($V_{CC}+0.5V$)
 Drivers..... $\pm 15V$
 Receivers.....-0.3V to ($V_{CC}+0.5V$)

Storage Temperature.....-65°C to +150°C

Power Dissipation per Package

8-pin NSOIC (derate 6.60mW/°C above +70°C).....550mW

ELECTRICAL CHARACTERISTICS

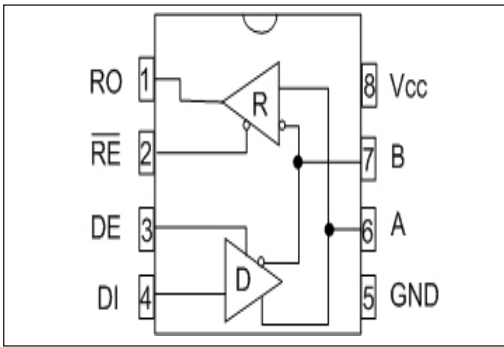
T_{MIN} to T_{MAX} and $V_{CC} = 5V \pm 5\%$ unless otherwise noted.

PARAMETERS	MIN.	TYP.	MAX.	UNITS	CONDITIONS
SP1481E/SP1485E DRIVER					
DC Characteristics					
Differential Output Voltage	3.5		V_{CC}	Volts	Unloaded; $R = \infty$; see Figure 1
Differential Output Voltage	2		V_{CC}	Volts	with load; $R = 50\Omega$; (RS-422); see Figure 1
Differential Output Voltage	1.5		V_{CC}	Volts	with load; $R = 27\Omega$; (RS-485);see Figure 1
Change in Magnitude of Driver Differential Output Voltage for Complimentary States Driver Common-Mode			0.2	Volts	$R = 27\Omega$ or $R = 50\Omega$; see Figure 1
Output Voltage			3	Volts	$R = 27\Omega$ or $R = 50\Omega$; see Figure 1
Input High Voltage	2.0			Volts	Applies to DE, DI, \overline{RE}
Input Low Voltage			0.8	Volts	Applies to DE, DI, \overline{RE}
Input Current			± 10	μA	Applies to DE, DI, \overline{RE}
Driver Short-Circuit Current $V_{OUT} = HIGH$			± 250	mA	$-7V \leq V_O \leq +12V$
$V_{OUT} = LOW$			± 250	mA	$-7V \leq V_O \leq +12V$
SP1481E/SP1485E DRIVER					
AC Characteristics					
Maximum Data Rate	20			Mbps	$\overline{RE} = 5V$, $DE = 5V$; $R_{DIFF} = 54\Omega$, $C_{L1} = C_{L2} = 100pF$
Driver Input to Output		20	30	ns	t_{PLH} ; $R_{DIFF} = 54\Omega$, $C_{L1} = C_{L2} = 100pF$; see Figures 3 and 5
Driver Input to Output (SP1485EMN ONLY)		20	40	ns	t_{PLH} ; $R_{DIFF} = 54\Omega$, $C_{L1} = C_{L2} = 100pF$; See Figures 3 and 5
Driver Input to Output		20	30	ns	t_{PHL} ; $R_{DIFF} = 54\Omega$, $C_{L1} = C_{L2} = 100pF$; see Figures 3 and 5
Driver Input to Output (SP1485EMN ONLY)		20	40	ns	t_{PHL} ; $R_{DIFF} = 54\Omega$, $C_{L1} = C_{L2} = 100pF$; see Figures 3 and 5
Driver Skew		3	5	ns	see Figures 3 and 5, $t_{SKEW} = t_{PLH} - t_{PHL} $
Driver Rise or Fall Time		8	20	ns	From 10% to 90%; $R_{DIFF} = 54\Omega$, $C_{L1} = C_{L2} = 100pF$; see Figures 3 & 6
Driver Enable to Output High		40	70	ns	$C_L = 100pF$; see Figures 4 & 6; S_2 closed
Driver Enable to Output Low		40	70	ns	$C_L = 100pF$; see Figures 4 & 6; S_1 closed
Driver Disable Time from Low		40	70	ns	$C_L = 100pF$; see Figures 4 & 6; S_1 closed
Driver Disable Time from High		40	70	ns	$C_L = 100pF$; see Figures 4 & 6; S_2 closed

SPECIFICATIONS (continued)

T_{MIN} to T_{MAX} and $V_{CC} = 5V \pm 5\%$ unless otherwise noted

PARAMETERS	MIN.	TYP.	MAX.	UNITS	CONDITIONS
SP1481E/SP1485E RECEIVER					
DC Characteristics					
Differential Input Threshold	-0.2		+0.2	Volts	$-7V \leq V_{CM} \leq +12V$
Differential Input Threshold (SP1485EMN ONLY)	-0.4		+0.4	Volts	$-7V \leq V_{CM} \leq +12V$
Input Hysteresis		20		mV	$V_{CM} = 0V$
Output Voltage High	3.5			Volts	$I_O = -4mA, V_{ID} = +200mV$
Output Voltage Low			0.4	Volts	$I_O = +4mA, V_{ID} = -200mV$
Three-State (High Impedance)					
Output Current			± 1	μA	$0.4V \leq V_O \leq 2.4V; \overline{RE} = 5V$
Input Resistance	12	15		k Ω	$-7V \leq V_{CM} \leq +12V$
Input Current (A, B); $V_{IN} = 12V$			+1.0	mA	$DE = 0V, V_{CC} = 0V$ or $5.25V, V_{IN} = 12V$
Input Current (A, B); $V_{IN} = -7V$			-0.8	mA	$DE = 0V, V_{CC} = 0V$ or $5.25V, V_{IN} = -7V$
Short-Circuit Current	7		95	mA	$0V \leq V_O \leq V_{CC}$
SP1481E/SP1485E RECEIVER					
AC Characteristics					
Maximum Data Rate	20			Mbps	$\overline{RE} = 0V, DE = 0V$
Receiver Input to Output		25	70	ns	$t_{PLH}^1; R_{DIFF} = 54\Omega,$ $C_{L1} = C_{L2} = 100pF; \text{ Figures 3 \& 7}$
Receiver Input to Output		25	70	ns	$t_{PHL}^1; R_{DIFF} = 54\Omega,$ $C_{L1} = C_{L2} = 100pF; \text{ Figures 3 \& 7}$
Diff. Receiver Skew $ t_{PLH} - t_{PHL} $		5	10	ns	$R_{DIFF} = 54\Omega; C_{L1} = C_{L2} = 100pF;$ Figures 3 & 7
Receiver Enable to Output Low		45	70	ns	$C_{RL} = 15pF; \text{ Figures 2 \& 8; } S_1 \text{ closed}$
Receiver Enable to Output High		45	70	ns	$C_{RL} = 15pF; \text{ Figures 2 \& 8; } S_2 \text{ closed}$
Receiver Disable from Low		45	70	ns	$C_{RL} = 15pF; \text{ Figures 2 \& 8; } S_1 \text{ closed}$
Receiver Disable from High		45	70	ns	$C_{RL} = 15pF; \text{ Figures 2 \& 8; } S_2 \text{ closed}$
SP1481E					
Shutdown Timing					
Time to Shutdown	50	200	600	ns	$\overline{RE} = 5V, DE = 0V$
Driver Enable from Shutdown to Output High		40	100	ns	$C_L = 100pF; \text{ See Figures 4 \& 6; } S_2 \text{ closed}$
Driver Enable from Shutdown to Output Low		40	100	ns	$C_L = 100pF; \text{ See Figures 4 \& 6; } S_1 \text{ closed}$
Receiver Enable from Shutdown to Output High		300	1000	ns	$C_L = 15pF; \text{ See Figures 2 \& 8; } S_2 \text{ closed}$
Receiver Enable from Shutdown to Output Low		300	1000	ns	$C_L = 15pF; \text{ See Figures 2 \& 8; } S_1 \text{ closed}$
POWER REQUIREMENTS					
Supply Voltage	+4.75		+5.25	Volts	
Supply Current					
SP1481E/1485E					
No Load		900		μA	$\overline{RE}, DI = 0V$ or $V_{CC}; DE = V_{CC}$
		600		μA	$RE = 0V, DI = 0V$ or $5V; DE = 0V$
SP1481E					
Shutdown Mode			10	μA	$DE = 0V, \overline{RE} = V_{CC}$
ENVIRONMENTAL AND MECHANICAL					
Operating Temperature					
Commercial (C)	0		+70	$^{\circ}C$	
Industrial (E)	-40		+85	$^{\circ}C$	
(M)	-40		+125	$^{\circ}C$	
Storage Temperature	-65		+150	$^{\circ}C$	
Package					
NSOIC (N)					



SP1481E and SP1485E
Pinout (Top View)

PIN FUNCTION

- Pin 1 – RO – Receiver Output.
- Pin 2 – \overline{RE} – Receiver Output Enable Active LOW.
- Pin 3 – DE – Driver Output Enable Active HIGH.
- Pin 4 – DI – Driver Input.
- Pin 5 – GND – Ground Connection.
- Pin 6 – A – Driver Output/Receiver Input Non-inverting.
- Pin 7 – B – Driver Output/Receiver Input Inverting.
- Pin 8 – Vcc – Positive Supply $4.75V < V_{cc} < 5.25V$.

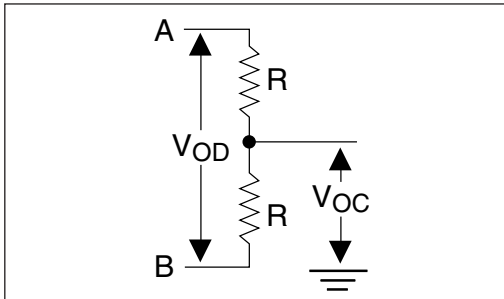


Figure 1. RS-485 Driver DC Test Load Circuit

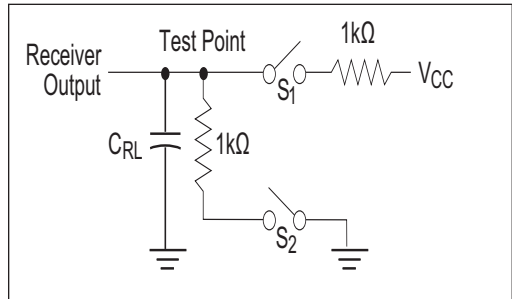


Figure 2. Receiver Timing Test Load Circuit

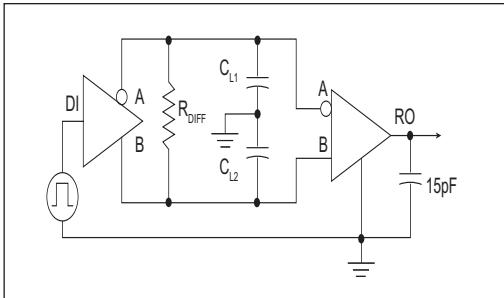


Figure 3. RS-485 Driver/Receiver Timing Test Circuit

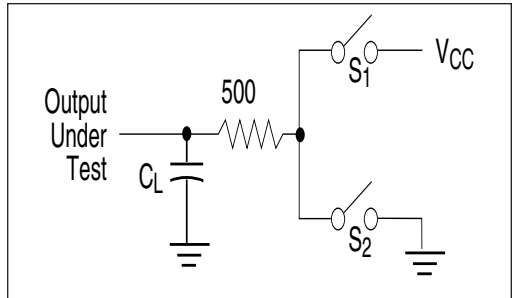


Figure 4. RS-485 Driver Timing Test Load #2 Circuit

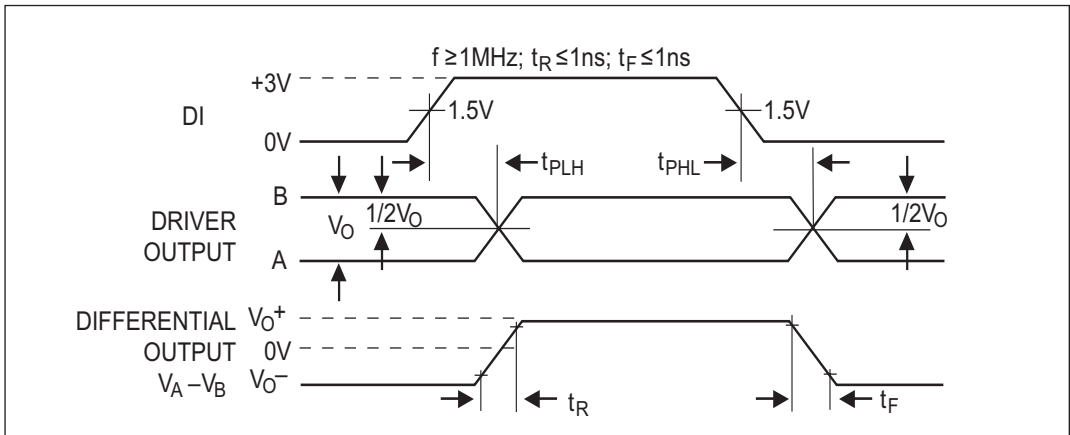


Figure 5. Driver Propagation Delays

INPUTS				OUTPUTS	
\overline{RE}	DE	DI	LINE CONDITION	B	A
X	1	1	No Fault	0	1
X	1	0	No Fault	1	0
X	0	X	X	Z	Z
X	1	X	Fault	Z	Z

Table 1. Transmit Function Truth Table

INPUTS		OUTPUTS	
\overline{RE}	DE	A - B	R
0	0	+0.2V	1
0	0	-0.2V	0
0	0	Inputs Open	1
1	0	X	Z

Table 2. Receive Function Truth Table

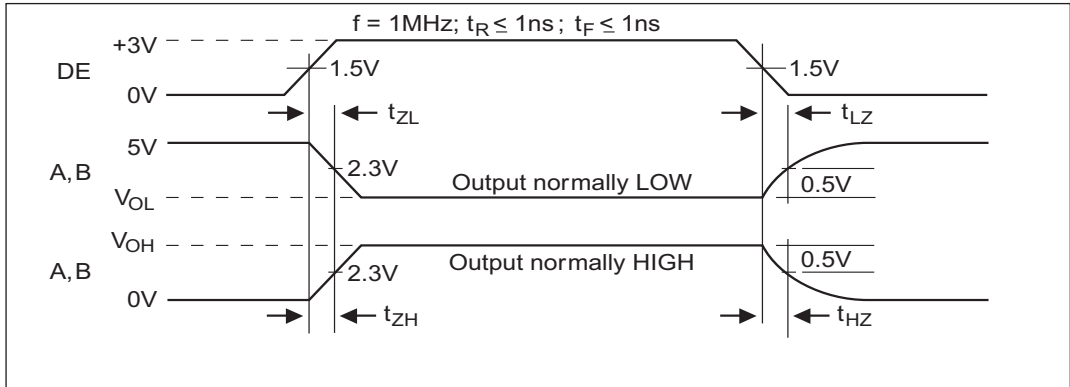


Figure 6. Driver Enable and Disable Times

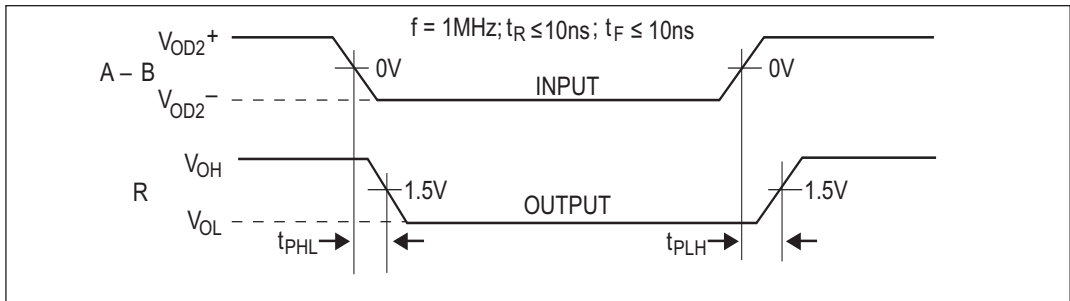


Figure 7. Receiver Propagation Delays

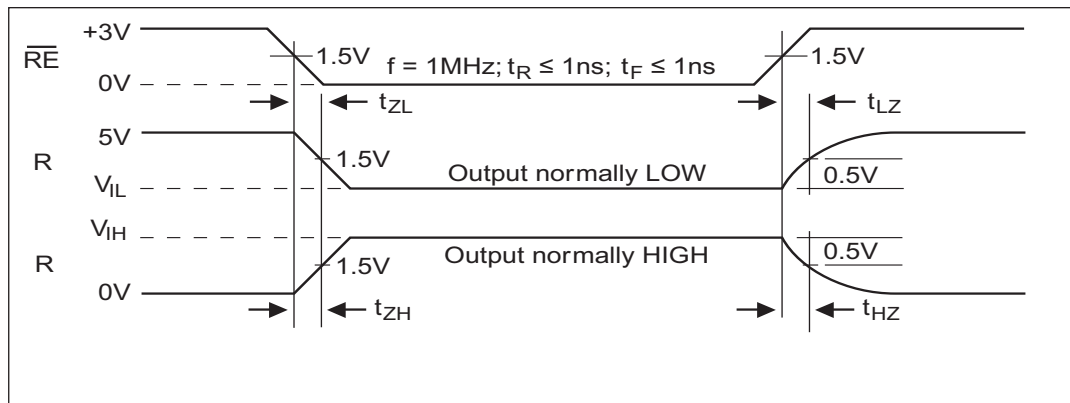


Figure 8. Receiver Enable and Disable Times

DESCRIPTION

The SP1481E and SP1485E are half-duplex differential transceivers that meet the requirements of RS-485 and RS-422. Fabricated with a Exar proprietary BiCMOS process, these products require a fraction of the power of older bipolar designs.

The RS-485 standard is ideal for multi-drop applications and for long-distance interfaces. RS-485 allows up to 32 drivers and 32 receivers to be connected to a data bus, making it an ideal choice for multi-drop applications. Since the cabling can be as long as 4,000 feet, RS-485 transceivers are equipped with a wide (-7V to +12V) common mode range to accommodate ground potential differences. Because RS-485 is a differential interface, data is virtually immune to noise in the transmission line.

Drivers

The driver outputs of the SP1481E and SP1485E are differential outputs meeting the RS-485 and RS-422 standards. The typical voltage output swing with no load will be 0 Volts to +5 Volts. With worst case loading of 54 Ω across the differential outputs, the drivers can maintain greater than 1.5V voltage levels. The drivers of the SP1481E, and SP1485E have an enable control line which is active HIGH. A logic HIGH on DE (pin 3) will enable the differential driver outputs. A logic LOW on DE (pin 3) will tri-state the driver outputs.

The transmitters of the SP1481E and SP1485E will operate up to at least 20Mbps.

Receivers

The SP1481E and SP1485E receivers have differential inputs with an input sensitivity as low as $\pm 200\text{mV}$. Input impedance of the receivers is typically 15k Ω (12k Ω minimum). A wide common mode range of -7V to +12V allows for large ground potential differences between systems. The receivers of the SP1481E and SP1485E have a tri-state enable control pin.

A logic LOW on $\overline{\text{RE}}$ (pin 2) will enable the receiver, a logic HIGH on $\overline{\text{RE}}$ (pin 2) will disable the receiver.

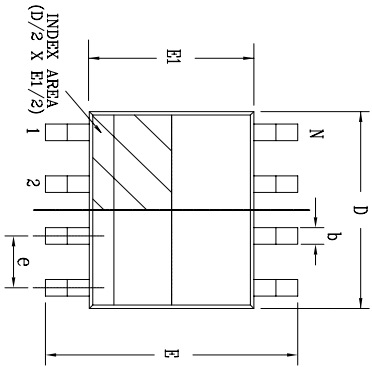
The receiver for the SP1481E and SP1485E will operate up to at least 20Mbps. The receiver for each of the two devices is equipped with the fail-safe feature. Fail-safe guarantees that the receiver output will be in a HIGH state when the input is left unconnected.

Shutdown Mode SP1481E

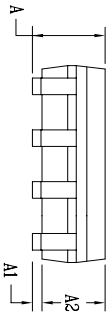
The SP1481E is equipped with a Shutdown mode. To enable the Shutdown state, both the driver and receiver must be disabled simultaneously.

A logic LOW on DE (pin 3) and a logic HIGH on $\overline{\text{RE}}$ (pin 2) will put the SP1481E into Shutdown mode. In Shutdown, supply current will drop to typically 1 μA .

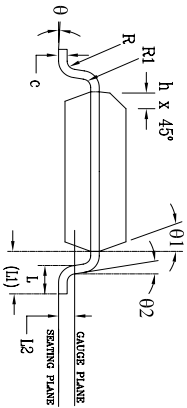
REVISION HISTORY			
REV	DESCRIPTION	DATE	APP'D
A	DRAWING ORIGINATOR	09/16/05	JL
B	DRAWING FORMAT MODIFICATION	07/19/06	JL
C	CHANGE DRAWING LOGO AND COMPANY NAME	11/16/07	JL



Top View




Side View



Front View

8 Pin SOICN JEDEC MS-012 Variation AA		DIMENSIONS IN MM (Control Unit)		DIMENSIONS IN INCH (Reference Unit)		
SYMBOLS	MIN	NOM	MAX	MIN	NOM	MAX
A	1.35	—	1.75	0.053	—	0.069
A1	0.10	—	0.25	0.004	—	0.010
A2	1.25	—	1.65	0.049	—	0.065
b	0.31	—	0.51	0.012	—	0.020
c	0.17	—	0.25	0.007	—	0.010
E	6.00	BSC	—	0.236	BSC	—
E1	3.90	BSC	—	0.154	BSC	—
e	1.27	BSC	—	0.050	BSC	—
h	0.25	—	0.50	0.010	—	0.020
L	0.40	—	1.27	0.016	—	0.050
L1	—	1.04	REF	—	0.041	REF
L2	—	0.25	BSC	—	0.010	BSC
R	0.07	—	—	0.003	—	—
R1	0.07	—	—	0.003	—	—
theta	0°	—	8°	0°	—	8°
theta1	5°	—	15°	5°	—	15°
theta2	0°	—	—	0°	—	—
D	—	4.90	BSC	—	0.193	BSC
N	—	8	—	—	8	—

		EXAR CORPORATION Packaging Systems Division	
Packaging Approval:		Drawing No:	
By: JL	Date: 11/16/07	8 PIN SOICN PACKAGE OUTLINE	
Revision: C		Sheet: 1 OF 1	

ORDERING INFORMATION

Model	Temperature Range	Package
SP1481ECN-L.....	0°C to +70°C	8-pin Narrow SOIC
SP1481ECN-L/TR.....	0°C to +70°C	8-pin Narrow SOIC
SP1481EEN-L.....	-40°C to +85°C	8-pin Narrow SOIC
SP1481EEN-L/TR.....	-40°C to +85°C	8-pin Narrow SOIC
SP1485ECN-L.....	0°C to +70°C	8-pin Narrow SOIC
SP1485ECN-L/TR.....	0°C to +70°C	8-pin Narrow SOIC
SP1485EEN-L.....	-40°C to +85°C.....	8-pin Narrow SOIC
SP1485EEN-L/TR.....	-40°C to +85°C.....	8-pin Narrow SOIC
SP1485EMN-L.....	-40°C to +125°C.....	8-pin Narrow SOIC
SP1485EMN-L/TR.....	-40°C to +125°C.....	8-pin Narrow SOIC

DATE	REVISION	DESCRIPTION
03/08/07	J	Legacy Sipex Datasheet
06/16/09	1.0.0	Convert to Exar format, update ordering information and change revision to 1.0.0
08/03/10	1.0.1	Remove SP1485EMN option.
10/27/10	1.0.2	Reactivate SP1485EMN option per PCN # 07-0502-01
05/24/13	1.0.3	Correct type errors per PCN 13-0503-01 ECN: 1322-01 5/29/13

Notice

EXAR Corporation reserves the right to make changes to any products contained in this publication in order to improve design, performance or reliability. EXAR Corporation assumes no representation that the circuits are free of patent infringement. Charts and schedules contained herein are only for illustration purposes and may vary depending upon a user's specific application. While the information in this publication has been carefully checked; no responsibility, however, is assumed for inaccuracies.

EXAR Corporation does not recommend the use of any of its products in life support applications where the failure or malfunction of the product can reasonably be expected to cause failure of the life support system or to significantly affect its safety or effectiveness. Products are not authorized for use in such applications unless EXAR Corporation receives, in writing, assurances to its satisfaction that: (a) the risk of injury or damage has been minimized ; (b) the user assumes all such risks; (c) potential liability of EXAR Corporation is adequately protected under the circumstances.

Copyright 2013 EXAR Corporation

Datasheet May 2013

For technical support please email Exar's Serial Technical Support group at: serialtechsupport@exar.com

Reproduction, in part or whole, without the prior written consent of EXAR Corporation is prohibited.



The content of this document is furnished for informational use only, is subject to change without notice, and should not be construed as a commitment by MaxLinear, Inc.. MaxLinear, Inc. assumes no responsibility or liability for any errors or inaccuracies that may appear in the informational content contained in this guide. Complying with all applicable copyright laws is the responsibility of the user. Without limiting the rights under copyright, no part of this document may be reproduced into, stored in, or introduced into a retrieval system, or transmitted in any form or by any means (electronic, mechanical, photocopying, recording, or otherwise), or for any purpose, without the express written permission of MaxLinear, Inc.

Maxlinear, Inc. does not recommend the use of any of its products in life support applications where the failure or malfunction of the product can reasonably be expected to cause failure of the life support system or to significantly affect its safety or effectiveness. Products are not authorized for use in such applications unless MaxLinear, Inc. receives, in writing, assurances to its satisfaction that: (a) the risk of injury or damage has been minimized; (b) the user assumes all such risks; (c) potential liability of

MaxLinear, Inc. is adequately protected under the circumstances.

MaxLinear, Inc. may have patents, patent applications, trademarks, copyrights, or other intellectual property rights covering subject matter in this document. Except as expressly provided in any written license agreement from MaxLinear, Inc., the furnishing of this document does not give you any license to these patents, trademarks, copyrights, or other intellectual property.

Company and product names may be registered trademarks or trademarks of the respective owners with which they are associated.

© 2017 MaxLinear, Inc. All rights reserved

Looking for pricing, stock, or lifecycle information?

Click below to explore more details on WIN SOURCE:

- ⊖ [View SP1485EMN-L on WIN SOURCE](#)
- ⊖ [Exar Corporation Information](#)

Optimize Your Supply Chain with WIN SOURCE Solutions

- ✓ Global Sourcing Solution
- ✓ Obsolete Management
- ✓ Cost Control Management
- ✓ Shortage Management
- ✓ Alternative Solution
- ✓ Excess Inventory Management