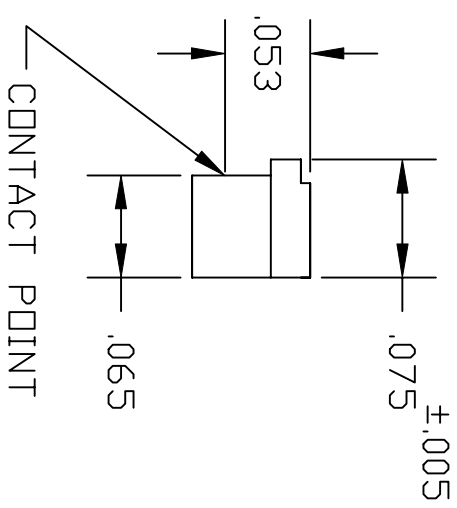
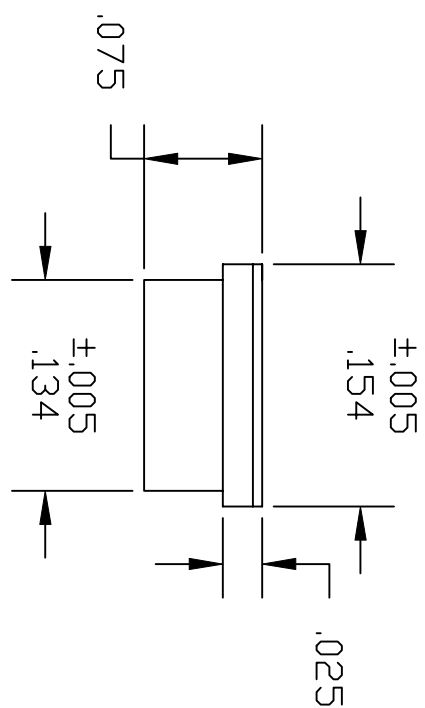




**THE DATASHEET OF**  
**800-002-LP1-001**



DESCRIPTION: 2MM SHUNT LOW PROFILE, .075" 15 MICRINCH GOLD



MATERIAL: HOUSING: GLASS FILLED THERMOPLASTIC, UL 94V-0, BLACK  
 CONTACT: HIGH PERFORMANCE COPPER ALLOY

PLATING: 15 MICRONS INCHES PALLADIUM/NICKEL WITH GOLD FLASH OVERALL

ELECTRICALS: CURRENT RATING: 1.0 AMPERE MAX.  
 CONTACT RESISTANCE: 30 MILLIOHM MAX.  
 DMV: 500 Vrms MIN.  
 INSULATION RESISTANCE: 1 X 10<sup>4</sup> MOHMS  
 OPERATING TEMP: -55°C TO 105°C




THESE DRAWINGS AND SPECIFICATIONS ARE THE PROPERTY OF NorComp AND SHALL NOT BE REPRODUCED, COPIED OR USED AS THE BASIS FOR THE MANUFACTURE OF APPARATUS WITHOUT WRITTEN PERMISSION.

**NorComp**

|                            |                   |
|----------------------------|-------------------|
| DRAWN:<br>PAM JENKINS      | DATE:<br>12-13-01 |
| CHECKED:                   | DATE:             |
| SCALE:                     | SHEET 1 OF 1      |
| DWG NO.<br>800-002-LP1-001 | REV<br>1          |

## Looking for pricing, stock, or lifecycle information?

Click below to explore more details on WIN SOURCE:

 [View 800-002-LP1-001 on WIN SOURCE](#)

 [NorComp Inc. Information](#)

## Optimize Your Supply Chain with WIN SOURCE Solutions

-  Global Sourcing Solution
-  Obsolete Management
-  Cost Control Management
-  Shortage Management
-  Alternative Solution
-  Excess Inventory Management