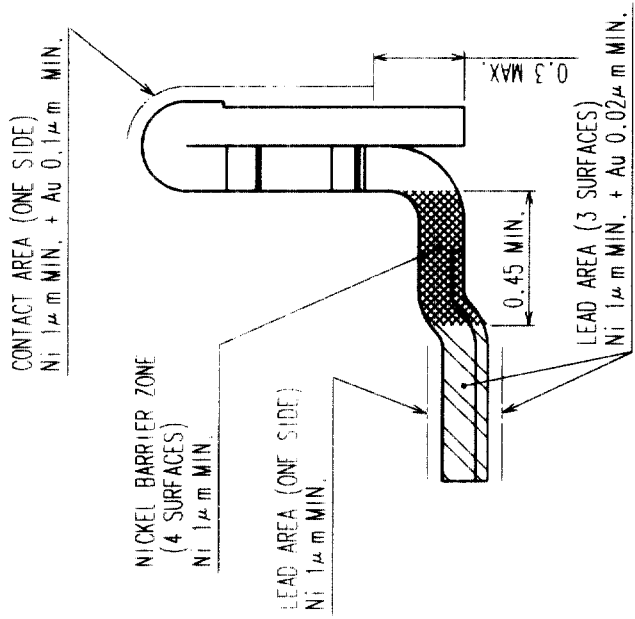
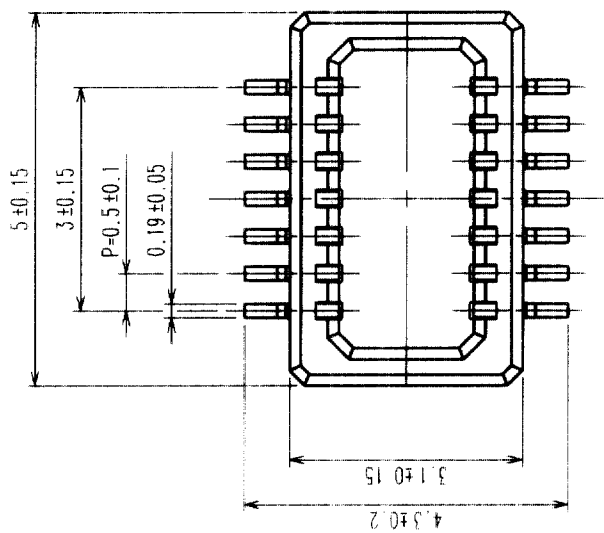




**THE DATASHEET OF  
DF23C-14DP-0.5V(92)**



Fig.1 : RECOMMENDED PATTERN Fig.2 : PLATING SPECIFICATION (40:1)



OTHERS : Ni 1µm MIN. + Au FLASH

Fig.3 : A-A CROSS SECTION VIEW

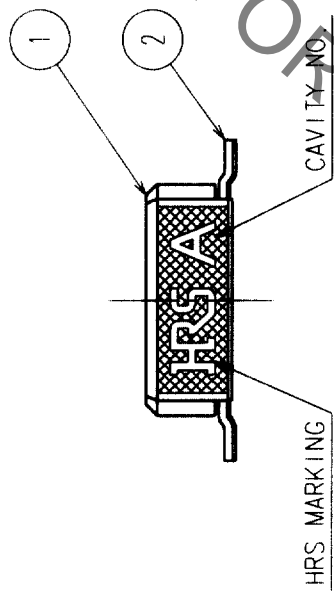
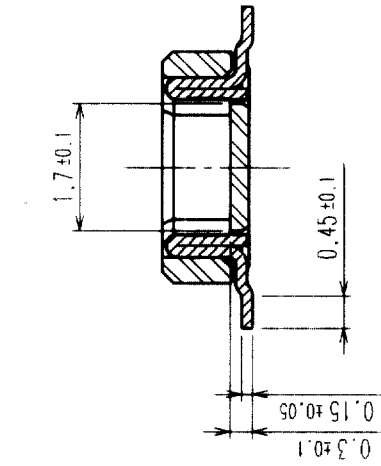


Fig.4 : MATING VIEW



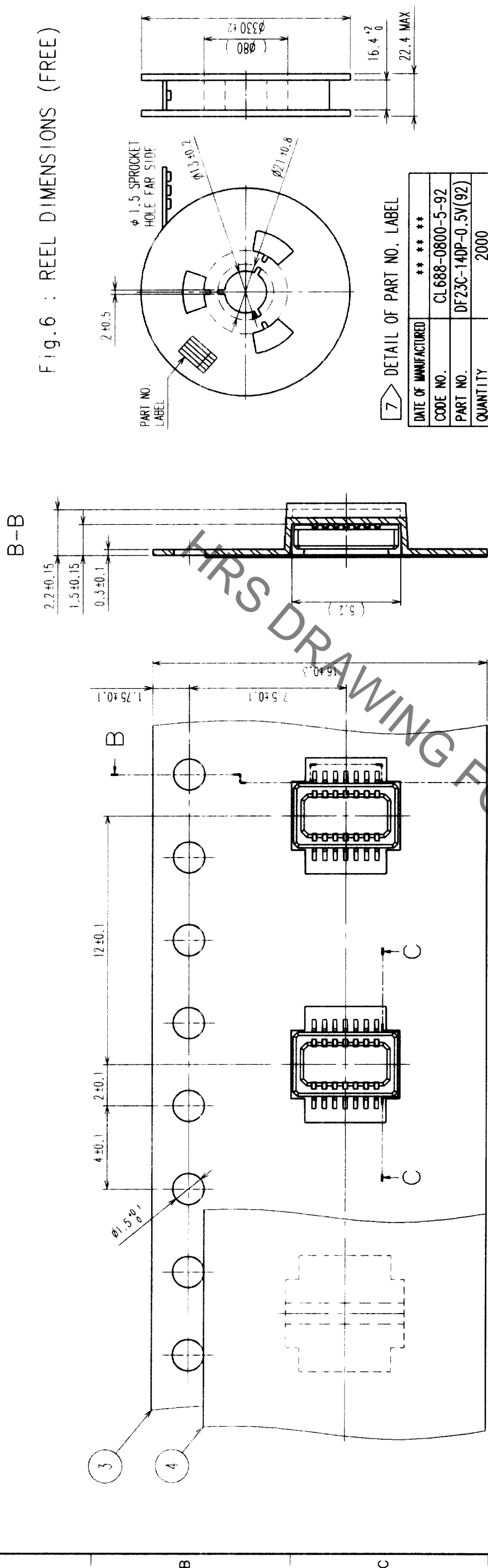
NOTES 1 LEAD CO-PLANARITY SHALL BE 0.1mm MAX.

2 REFER TO Fig.2

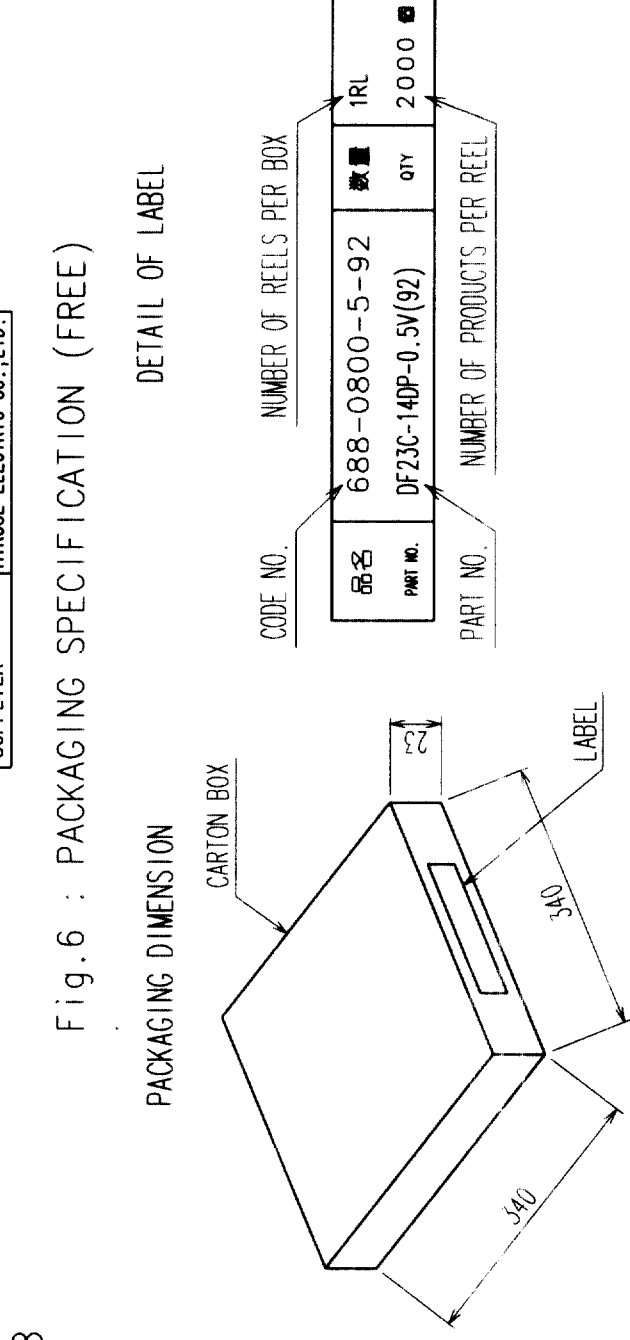
3 WHEN A PART MARKED WITH HAS A PATTERN BUT NO RESIST ON IT, TAKE CARE TO PREVENT THE CONNECTOR FROM TOUCHING IT.

2	PHOSPHOR BRONZE	2	POLYESTER	4	CLEAR
1	LCP	2	BLACK, UL94V-0	3	CLEAR
NO.	MATERIAL	FINISH, REMARKS	NO.	MATERIAL	FINISH, REMARKS
CODE NO. (OLD)			DRAWN	DESIGNED	CHECKED
			T. Yamamoto	T. Yamamoto	K. Akiyama & Akiyama
			'03.10.1	'03.10.2	'03.10.2
DRAWING NO. EDC3-163722-02		PART NO. DF23C-14DP-0.5V(92)		APPROVED RELEASED	
SCALE 10 : 1		CODE NO. CL688-0800-5-92		1/2	
UNITS mm		HIROSE ELECTRIC CO., LTD		8	

TO	

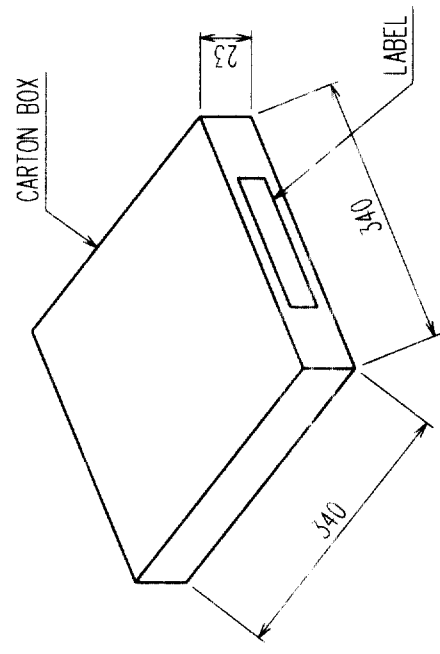


6 Fig. 5 : TAPING



7 Fig. 6 : PACKAGING SPECIFICATION (FREE)

PACKAGING DIMENSION



TRAILER

LEADER

- NOTES
- 4 PER REEL 2000 CONNECTORS
  - 5 THE DIMENSIONS IN PARENTHESES ARE FOR REFERENCE.
  - 6 REFER TO JIS C 0806 (PACKAGING OF COMPONENTS FOR AUTOMATIC HANDLING)
  - 7 DETAIL OF PART NO. LABEL IS WRITTEN IN JAPANESE.

CODE NO. (OLD)	DRAWN	DESIGNED	CHECKED	APPROVED	RELEASED
	T. Yamamoto	T. Yamamoto	K. Hayashi	K. Hayashi	
	'03.10.1	'03.10.2	'03.10.2	'03.10.2	
DRAWING NO.	PART NO.				
EDC3-163722-02	DF23C-14DP-0.5V(92)				
SCALE	UNITS				
5 : 1	mm				
HIROSE ELECTRIC CO., LTD.		CODE NO.		CL688-0800-5-92	
				2	

## Looking for pricing, stock, or lifecycle information?

Click below to explore more details on WIN SOURCE:

[View DF23C-14DP-0.5V\(92\) on WIN SOURCE](#)

[Hirose Electric Co Ltd Information](#)

## Optimize Your Supply Chain with WIN SOURCE Solutions

- ✓ Global Sourcing Solution
- ✓ Obsolete Management
- ✓ Cost Control Management
- ✓ Shortage Management
- ✓ Alternative Solution
- ✓ Excess Inventory Management