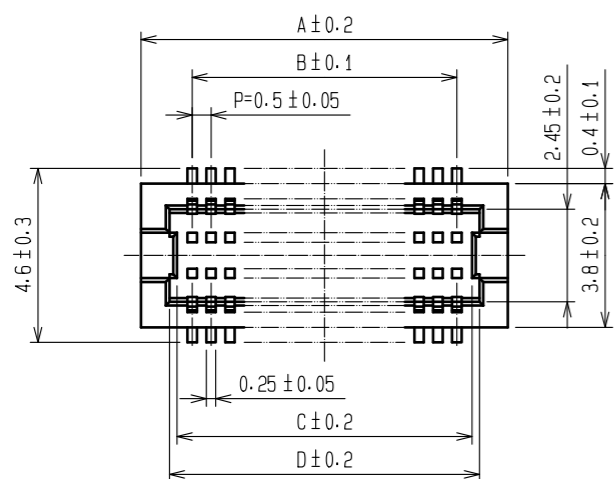




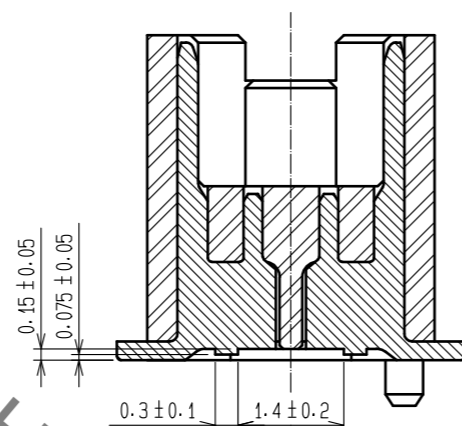
**THE DATASHEET OF
DF12D(5.0)-20DP-0.5V(81)**



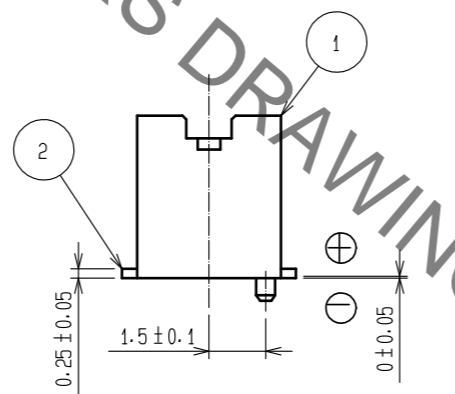
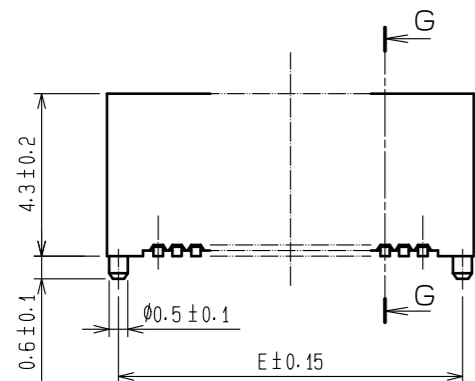
Sep.1.2019 Copyright 2019 HIROSE ELECTRIC CO., LTD. All Rights Reserved.
In case of consideration for using Automotive equipment / device which demand high reliability, kindly contact our sales window correspondents.



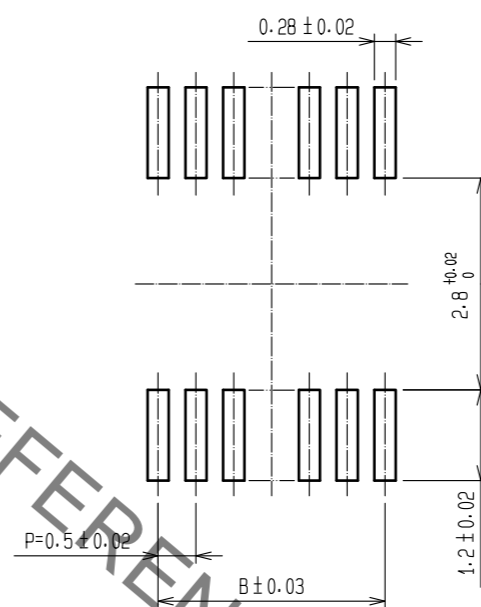
G-G (10:1)



CODE No.	CONTACT	A	B	C	D	E	F
CL537-0478-3-81	20	7.2	4.5	5.3	5.7	6.6	5.3
CL537-0480-5-81	30	9.7	7.0	7.8	8.2	9.1	7.8
CL537-0481-8-81	36	11.2	8.5	9.3	9.7	10.6	9.3
CL537-0482-0-81	40	12.2	9.5	10.3	10.7	11.6	10.3
CL537-0484-6-81	50	14.7	12.0	12.8	13.2	14.1	12.8
CL537-0486-1-81	60	17.2	14.5	15.3	15.7	16.6	15.3

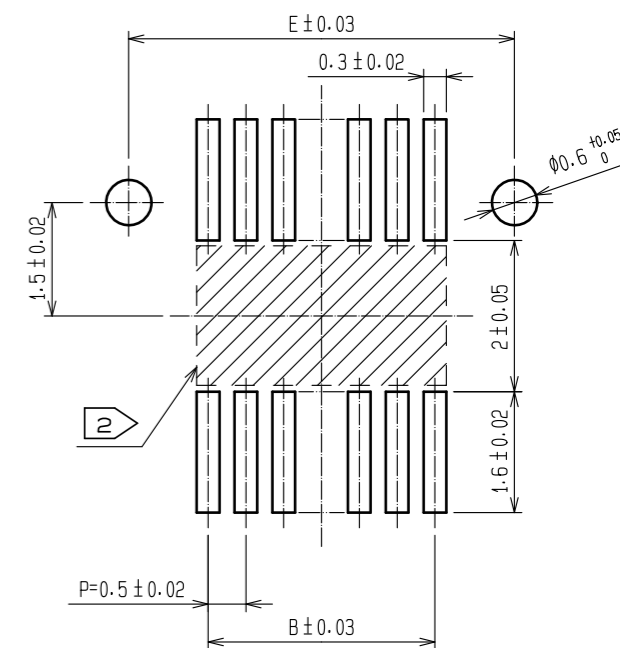


RECOMMEND METAL MASK PATTERN (10:1)

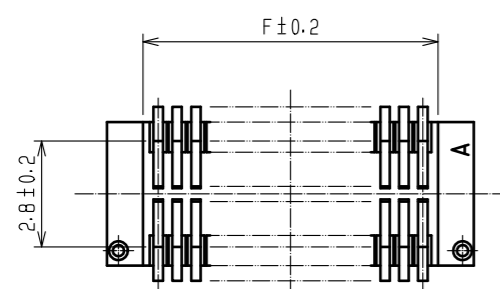
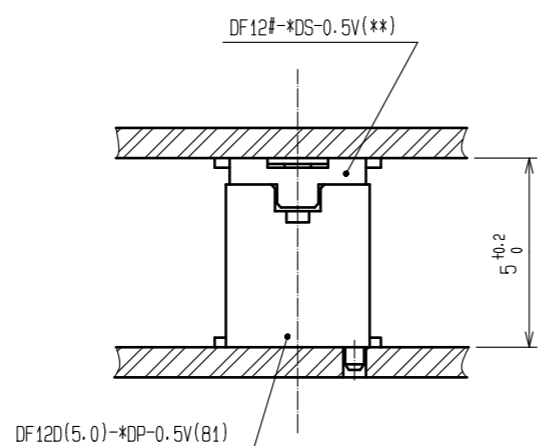


RECOMMENDED THICKNESS OF METAL MASK : 120 μm

RECOMMENDED LAND PATTERN (10:1)



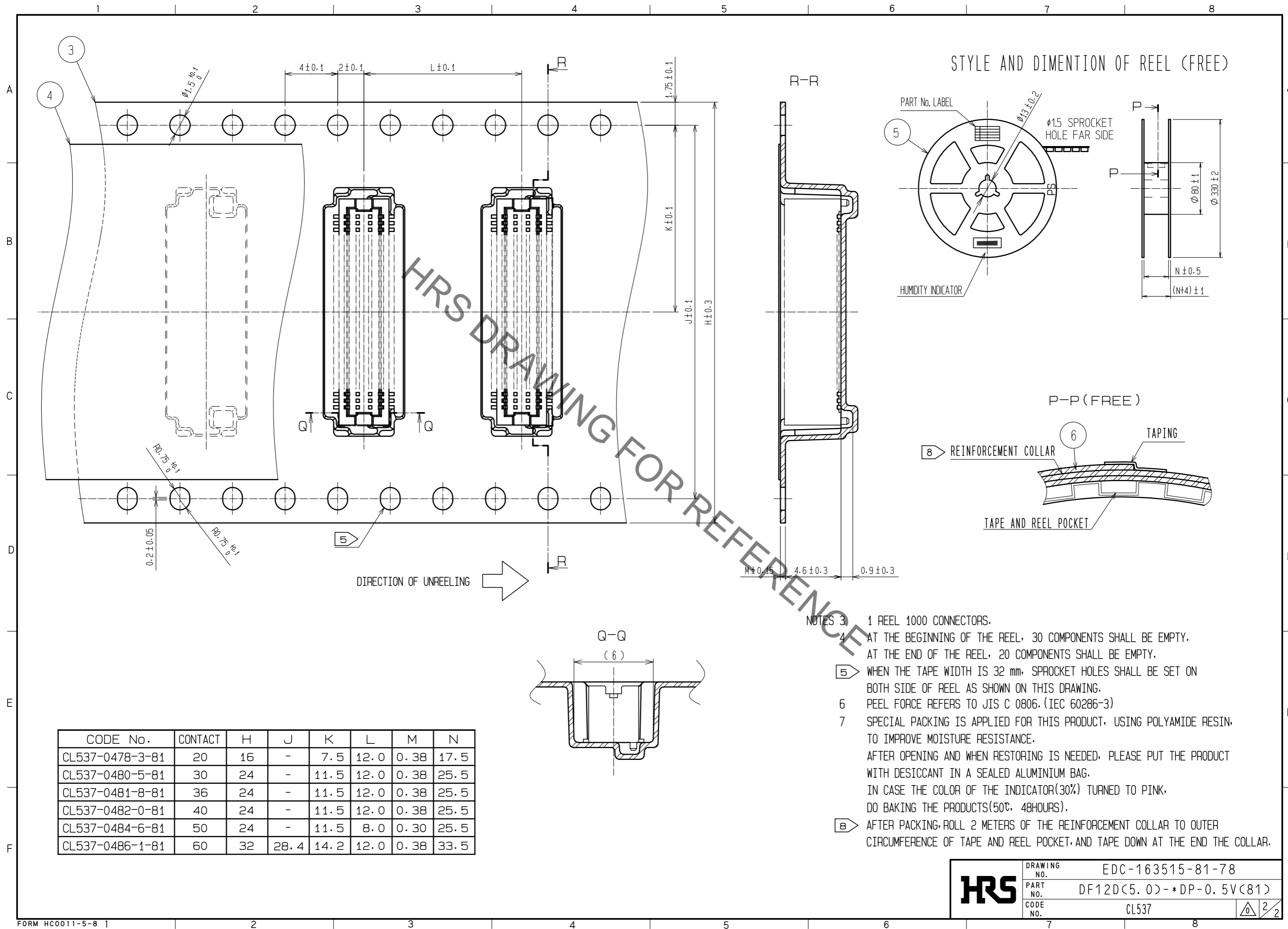
RECOMMENDED THICKNESS OF SOLDER PASTE : 120 μm



NOTES 1 LEAD CO-PLANARITY SHALL BE 0.08 mm MAX.
2 IF THERE IS PATTERN ON PART, THERE IS A POSSIBILITY THAT IT WILL MAKE CONTACT WITH THE LEADS.

2	PHOSPHOR BRONZE	CONTACT AREA:GOLD PLATED 0.2μm min	6	PS	CLEAR (REINFORCEMENT COLLAR)			
		LEAD AREA:GOLD PLATED 0.015μm min	5	PS	BLACK (PLASTIC REEL)			
		OTHERS(UNDER PLATING):NICKEL PLATED 2μm min	4	POLYESTER	CLEAR (COVER TAPE)			
1	POLYAMIDE	UL94V-0.NATURAL(BEIGE)	3	PS	CLEAR (EMBOSSED CARRIER TAPE)			
NO.	MATERIAL	FINISH . REMARKS	NO.	MATERIAL	FINISH . REMARKS			
UNITS mm		SCALE 5 : 1	COUNT 	DESCRIPTION OF REVISIONS		DESIGNED	CHECKED	DATE
HRS HIROSE ELECTRIC CO., LTD.		APPROVED : WR. FUKUCHI	20190409	DRAWING NO. EDC-163515-81-78				
		CHECED : WR. FUKUCHI	20190409	PART NO. DF12D(5.0)-*DP-0.5V(81)				
		DESIGNED : KT. KUSAKA	20190409	CODE NO. CL537				
		DRAWN : RN. IIDA	20190409					

Sep.1.2019 Copyright 2019 HIROSE ELECTRIC CO., LTD. All Rights Reserved.
In case of consideration for using Automotive equipment / device which demand high reliability, kindly contact our sales window correspondents.



HRS	DRAWING NO.	EDC-163515-81-78
	PART NO.	DF12D(5.0)-*DP-0.5V(81)
	CODE NO.	CL537
		2/2

Looking for pricing, stock, or lifecycle information?

Click below to explore more details on WIN SOURCE:

- [View DF12D\(5.0\)-20DP-0.5V\(81\) on WIN SOURCE](#)
- [Hirose Electric Co Ltd Information](#)

Optimize Your Supply Chain with WIN SOURCE Solutions

- ✓ Global Sourcing Solution
- ✓ Obsolete Management
- ✓ Cost Control Management
- ✓ Shortage Management
- ✓ Alternative Solution
- ✓ Excess Inventory Management