



**THE DATASHEET OF
P4KE39CA A0G**



400W, 6.8V - 440V Transient Voltage Suppressor

FEATURES

- Excellent clamping capability
- Low dynamic impedance
- 400W surge capability at 10 / 1000 μ s waveform
- Fast response time: Typically less than 1.0ps from 0 volt to V_{BR} for unidirectional and 5.0ns for bidirectional
- Typical I_R less than 1 μ A above 10V
- UL recognized file # E-326243
- Compliant to RoHS Directive 2011/65/EU and in accordance to WEEE 2002/96/EC
- Halogen-free according to IEC 61249-2-21



DO-204AL (DO-41)

MECHANICAL DATA

Case: DO-204AL (DO-41)

Molding compound: UL flammability classification rating 94V-0

Part No. with suffix "H" means AEC-Q101 qualified

Packing code with suffix "G" means green compound (halogen-free)

Terminal: Pure tin plated leads, solderable per JESD22-B102

Meet JESD 201 class 2 whisker test

Weight: 0.3g (approximately)

MAXIMUM RATINGS AND ELECTRICAL CHARACTERISTICS ($T_A=25^\circ\text{C}$ unless otherwise noted)			
PARAMETER	SYMBOL	VALUE	UNIT
Peak power dissipation at $T_A=25^\circ\text{C}$, $t_p=1\text{ms}$ (Note 1)	P_{PK}	400	W
Steady state power dissipation at $T_L=75^\circ\text{C}$ lead lengths .375", 9.5mm (Note 2)	P_D	1	W
Peak forward surge current, 8.3 ms single half sine-wave superimposed on rated load (Note 3)	I_{FSM}	40	A
Maximum instantaneous forward voltage at 25 A for Unidirectional only (Note 4)	V_F	3.5 / 6.5	V
Operating junction temperature range	T_J	- 55 to +175	$^\circ\text{C}$
Storage temperature range	T_{STG}	- 55 to +175	$^\circ\text{C}$

Note 1: Non-repetitive current pulse per fig. 3 and derated above $T_A=25^\circ\text{C}$ per fig. 2

Note 2: Mounted on 5 x 5 mm copper pads to each terminal

Note 3: 8.3ms single half sine-wave or equivalent square wave, duty cycle=4 pulses per minute maximum

Note 4: $V_F=3.5\text{V}$ for devices of $V_{BR} \leq 200\text{V}$ and $V_F=6.5\text{V}$ max. for device $V_{BR} > 200\text{V}$

Devices for bipolar applications

1. For bidirectional use C or CA suffix for types P4KE6.8 - types P4KE440
2. Electrical characteristics apply in both directions

ORDERING INFORMATION					
PART NO.	PART NO. SUFFIX	PACKING CODE	PACKING CODE SUFFIX	PACKAGE	PACKING
P4KExxxx (Note 1)	H	A0	G	DO-41	3,000 / Ammo box (52mm taping)
		R0		DO-41	5,000 / 13" Paper reel
		R1		DO-41	5,000 / 13" Paper reel (Reverse)
		B0		DO-41	1,000 / Bulk packing

Note 1: "xxxx" defines voltage from 6.8V (P4KE6.8) to 440V (P4KE440)

EXAMPLE					
EXAMPLE PART NO.	PART NO.	PART NO. SUFFIX	PACKING CODE	PACKING CODE SUFFIX	DESCRIPTION
P4KE56AHA0G	P4KE56A	H	A0	G	AEC-Q101 qualified Green compound

RATINGS AND CHARACTERISTICS CURVES

(T_A=25°C unless otherwise noted)

FIG. 1 PEAK PULSE POWER RATING CURVE

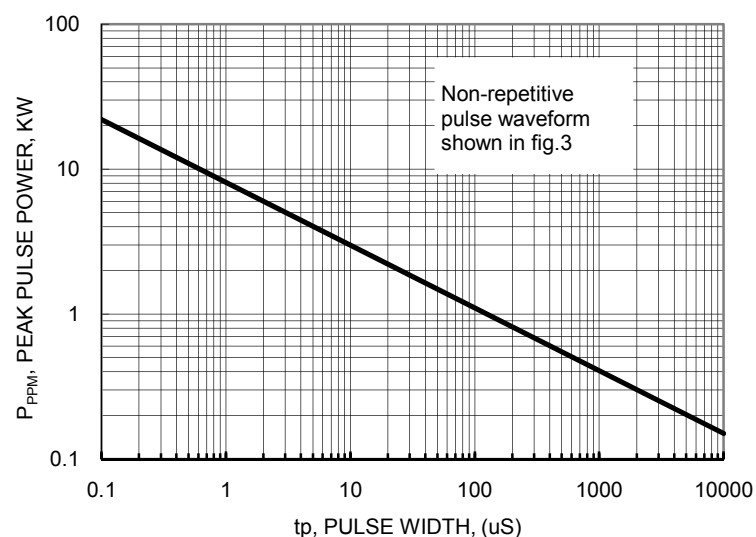


FIG. 2 STEADY STATE POWER DERATING CURVE

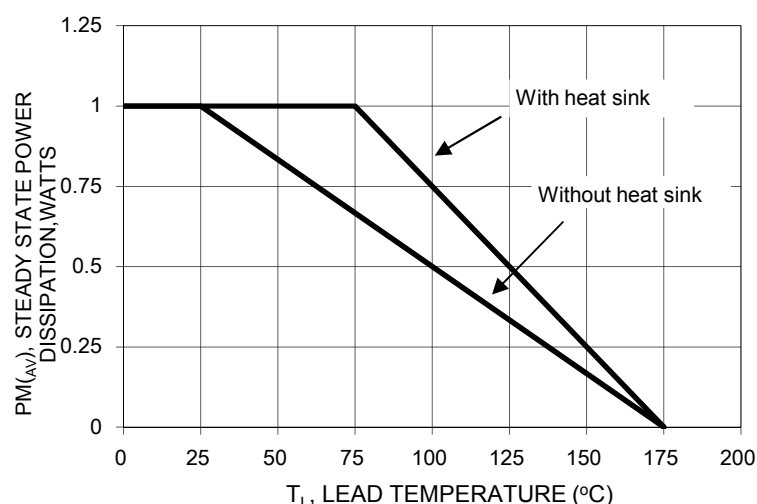


FIG. 3 CLAMPING POWER PULSE WAVEFORM

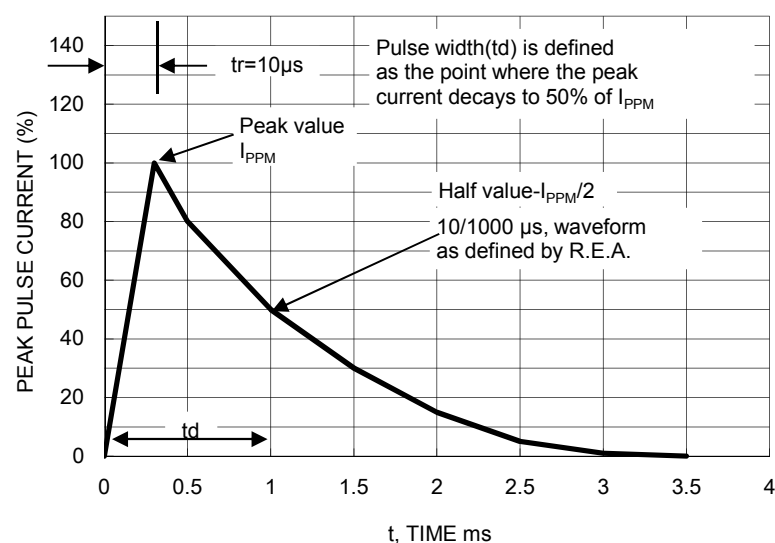


FIG. 4 MAXIMUM NON-REPETITIVE FORWARD SURGE CURRENT UNIDIRECTIONAL ONLY

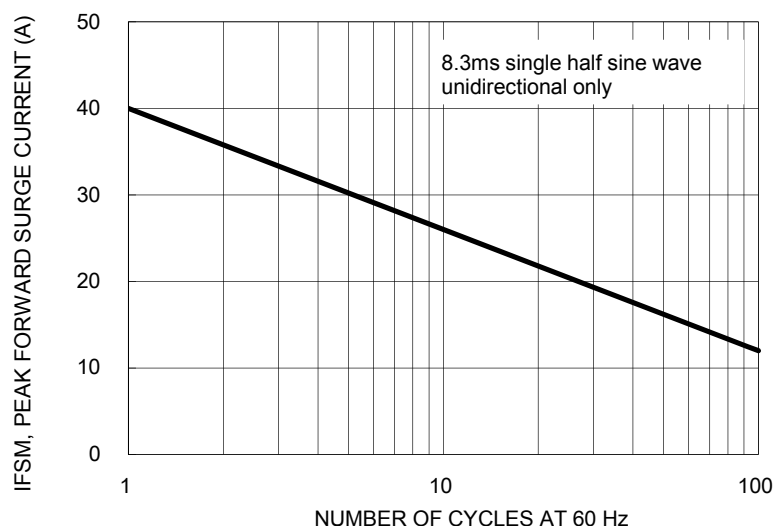
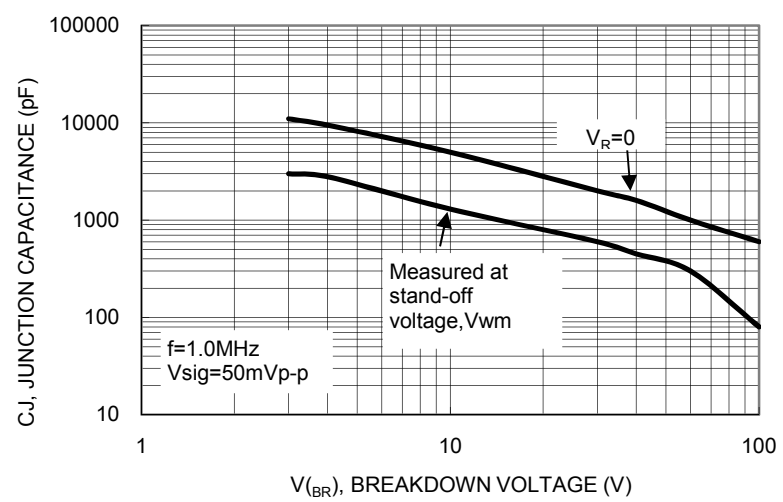


FIG. 5 TYPICAL JUNCTION CAPACITANCE



General Part Number	Nominal Voltage	Breakdown Voltage (Note 1)		Test Current	Stand-Off Voltage	Maximum Reverse Leakage @ V_{WM}	Maximum Peak Pulse Current	Maximum Clamping Voltage @ I_{PPM}	Maximum Temperature Coefficient
		V_{BR}		I_T	V_{WM}	I_R	I_{PPM}	V_C	of V_{BR}
	(V)	(V)		(mA)	(V)	(μ A)	(A)	(V)	(%/°C)
		Min	Max				(Note 2)		
P4KE6.8	6.8	6.12	7.48	10	5.50	1000	38.0	10.8	0.057
P4KE6.8A	6.8	6.46	7.14	10	5.80	1000	40.0	10.5	0.057
P4KE7.5	7.5	6.75	8.25	10	6.05	500	35.0	11.7	0.061
P4KE7.5A	7.5	7.13	7.88	10	6.40	500	37.0	11.3	0.061
P4KE8.2	8.2	7.38	9.02	10	6.63	200	33.0	12.5	0.065
P4KE8.2A	8.2	7.79	8.61	10	7.02	200	34.0	12.1	0.065
P4KE9.1	9.1	8.19	10.00	1	7.37	50	30.0	13.8	0.068
P4KE9.1A	9.1	8.65	9.55	1	7.78	50	31.0	13.4	0.068
P4KE10	10	9.00	11.00	1	8.10	10	28.0	15.0	0.073
P4KE10A	10	9.50	10.5	1	8.55	10	29.0	14.5	0.073
P4KE11	11	9.90	12.1	1	8.92	1	26.0	16.2	0.075
P4KE11A	11	10.5	11.6	1	9.40	1	27.0	15.6	0.075
P4KE12	12	10.8	13.2	1	9.72	1	24.0	17.3	0.078
P4KE12A	12	11.4	12.6	1	10.2	1	25.0	16.7	0.078
P4KE13	13	11.7	14.3	1	10.5	1	22.0	19.0	0.081
P4KE13A	13	12.4	13.7	1	11.1	1	23.0	18.2	0.081
P4KE15	15	13.5	16.5	1	12.1	1	19.0	22.0	0.084
P4KE15A	15	14.3	15.8	1	12.8	1	20.0	21.2	0.084
P4KE16	16	14.4	17.6	1	12.9	1	17.8	23.5	0.086
P4KE16A	16	15.2	16.8	1	13.6	1	18.6	22.5	0.086
P4KE18	18	16.2	19.8	1	14.5	1	16.0	26.5	0.088
P4KE18A	18	17.1	18.9	1	15.3	1	16.5	25.5	0.088
P4KE20	20	18.0	22.0	1	16.2	1	14.0	29.1	0.090
P4KE20A	20	19.0	21.0	1	17.1	1	15.0	27.7	0.090
P4KE22	22	19.8	24.2	1	17.8	1	13.0	31.9	0.092
P4KE22A	22	20.9	23.1	1	18.8	1	13.7	30.6	0.092
P4KE24	24	21.6	26.4	1	19.4	1	12.0	34.7	0.094
P4KE24A	24	22.8	25.2	1	20.5	1	12.6	33.2	0.094
P4KE27	27	24.3	29.7	1	21.8	1	10.7	39.1	0.096
P4KE27A	27	25.7	28.4	1	23.1	1	11.0	37.5	0.096
P4KE30	30	27.0	33.0	1	24.3	1	9.6	43.5	0.097
P4KE30A	30	28.5	31.5	1	25.6	1	10.0	41.4	0.097
P4KE33	33	29.7	36.3	1	26.8	1	8.8	47.7	0.098
P4KE33A	33	31.4	34.7	1	28.2	1	9.0	45.7	0.098
P4KE36	36	32.4	39.6	1	29.1	1	8.0	52.0	0.099
P4KE36A	36	34.2	37.8	1	30.8	1	8.4	49.9	0.099
P4KE39	39	35.1	42.9	1	31.6	1	7.4	56.4	0.100
P4KE39A	39	37.1	41.0	1	33.3	1	7.7	53.9	0.100
P4KE43	43	38.7	47.3	1	34.8	1	6.7	61.9	0.101
P4KE43A	43	40.9	45.2	1	36.8	1	7.0	59.3	0.101
P4KE47	47	42.3	51.7	1	38.1	1	6.2	67.8	0.101
P4KE47A	47	44.7	49.4	1	40.2	1	6.4	64.8	0.101
P4KE51	51	45.9	56.1	1	41.3	1	5.7	73.5	0.102
P4KE51A	51	48.5	53.6	1	43.6	1	6.0	70.1	0.102
P4KE56	56	50.4	61.6	1	45.4	1	5.2	80.5	0.103
P4KE56A	56	53.2	58.8	1	47.8	1	5.4	77.0	0.103

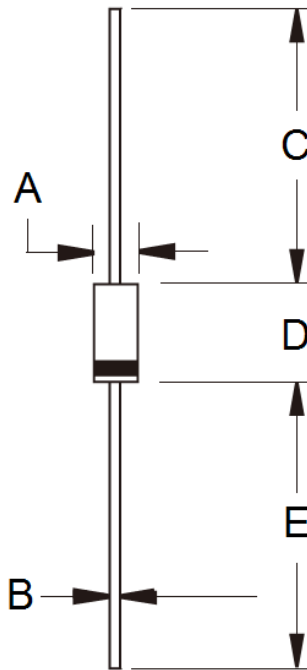
General Part Number	Nominal Voltage	Breakdown Voltage (Note 1)		Test Current	Stand-Off Voltage	Maximum Reverse Leakage @ V_{WM}	Maximum Peak Pulse Current	Maximum Clamping Voltage @ I_{PPM}	Maximum Temperature Coefficient
		V_{BR}		I_T	V_{WM}	I_R	I_{PPM}	V_C	of V_{BR}
	(V)	(V)		(mA)	(V)	(μ A)	(A)	(V)	(%/°C)
		Min	Max				(Note 2)		
P4KE62	62	55.8	68.2	1	50.2	1	4.7	89	0.104
P4KE62A	62	58.9	65.1	1	53.0	1	5.0	85	0.104
P4KE68	68	61.2	74.8	1	55.1	1	4.2	98	0.104
P4KE68A	68	64.6	71.4	1	58.1	1	4.5	92	0.104
P4KE75	75	67.5	82.5	1	60.7	1	3.8	108	0.105
P4KE75A	75	71.3	78.8	1	64.1	1	4.0	103	0.105
P4KE82	82	73.8	90.2	1	66.4	1	3.5	118	0.105
P4KE82A	82	77.9	86.1	1	70.1	1	3.7	113	0.105
P4KE91	91	81.9	100	1	73.7	1	3.2	131	0.106
P4KE91A	91	86.5	95.5	1	77.8	1	3.3	125	0.106
P4KE100	100	90	110	1	81.0	1	2.9	144	0.106
P4KE100A	100	95	105	1	85.5	1	3.0	137	0.106
P4KE110	110	99	121	1	89.2	1	2.6	158	0.107
P4KE110A	110	105	116	1	94.0	1	2.7	152	0.107
P4KE120	120	108	132	1	97.2	1	2.4	173	0.107
P4KE120A	120	114	126	1	102	1	2.5	165	0.107
P4KE130	130	117	143	1	105	1	2.2	187	0.107
P4KE130A	130	124	137	1	111	1	2.3	179	0.107
P4KE150	150	135	165	1	121	1	1.9	215	0.108
P4KE150A	150	143	158	1	128	1	2.0	207	0.108
P4KE160	160	144	176	1	130	1	1.8	230	0.108
P4KE160A	160	152	168	1	136	1	1.9	219	0.108
P4KE170	170	153	187	1	138	1	1.7	244	0.108
P4KE170A	170	162	179	1	145	1	1.8	234	0.108
P4KE180	180	162	198	1	146	1	1.6	258	0.108
P4KE180A	180	171	189	1	154	1	1.7	246	0.108
P4KE200	200	180	220	1	162	1	1.4	287	0.108
P4KE200A	200	190	210	1	171	1	1.51	274	0.108
P4KE220	220	198	242	1	175	1	1.20	344	0.108
P4KE220A	220	209	231	1	185	1	1.30	328	0.108
P4KE250	250	225	275	1	202	1	1.10	360	0.110
P4KE250A	250	237	263	1	214	1	1.20	344	0.110
P4KE300	300	270	330	1	243	1	0.97	430	0.110
P4KE300A	300	285	315	1	256	1	1.00	414	0.110
P4KE350	350	315	385	1	284	1	0.83	504	0.110
P4KE350A	350	332	368	1	300	1	0.87	482	0.110
P4KE400	400	360	440	1	324	1	0.73	574	0.110
P4KE400A	400	380	420	1	342	1	0.76	548	0.110
P4KE440	440	396	484	1	356	1	0.66	631	0.110
P4KE440A	440	418	462.0	1	376	1	0.69	600	0.110

Notes:

1. V_{BR} measure after I_T applied for 300 μ s, I_T =square wave pulse or equivalent.
2. Surge current waveform per Figure. 3 and derate per Figure. 2.
3. For bipolar types having V_{WM} of 10 volts and under, the I_R limit is doubled.
4. All terms and symbols are consistent with ANSI/IEEE C62.35.

PACKAGE OUTLINE DIMENSIONS

DO-204AL (DO-41)



DIM.	Unit (mm)		Unit (inch)	
	Min	Max	Min	Max
A	2.00	2.70	0.079	0.106
B	0.71	0.86	0.028	0.034
C	25.40	-	1.000	-
D	4.20	5.20	0.165	0.205
E	25.40	-	1.000	-

MARKING DIAGRAM



- P/N = Specific Device Code
- G = Green Compound
- YWW = Date Code
- F = Factory Code

Note: Cathode band for uni-directional products only

Notice

Specifications of the products displayed herein are subject to change without notice. TSC or anyone on its behalf, assumes no responsibility or liability for any errors or inaccuracies.

Information contained herein is intended to provide a product description only. No license, express or implied, to any intellectual property rights is granted by this document. Except as provided in TSC's terms and conditions of sale for such products, TSC assumes no liability whatsoever, and disclaims any express or implied warranty, relating to sale and/or use of TSC products including liability or warranties relating to fitness for a particular purpose, merchantability, or infringement of any patent, copyright, or other intellectual property right.

The products shown herein are not designed for use in medical, life-saving, or life-sustaining applications. Customers using or selling these products for use in such applications do so at their own risk and agree to fully indemnify TSC for any damages resulting from such improper use or sale.

Looking for pricing, stock, or lifecycle information?

Click below to explore more details on WIN SOURCE:

[View P4KE39CA A0G on WIN SOURCE](#)

[Taiwan Semiconductor Information](#)

Optimize Your Supply Chain with WIN SOURCE Solutions

- ✓ Global Sourcing Solution
- ✓ Obsolete Management
- ✓ Cost Control Management
- ✓ Shortage Management
- ✓ Alternative Solution
- ✓ Excess Inventory Management