

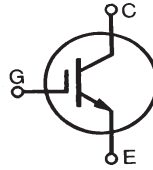
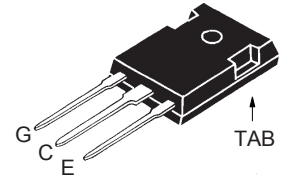


# HiPerFAST™ IGBT

## Short Circuit SOA Capability

**IXSH24N60**
**IXSH24N60A**

$V_{CES}$	$I_{C90}$	$V_{CE(sat)}$
<b>600V</b>	<b>24A</b>	<b>2.2V</b>
<b>600V</b>	<b>24A</b>	<b>2.7V</b>


**TO-247 (IXSH)**


G = Gate      C = Collector  
E = Emitter    TAB = Collector

Symbol	Test Conditions	Maximum Ratings	
$V_{CES}$	$T_J = 25^\circ\text{C}$ to $150^\circ\text{C}$	600	V
$V_{CGR}$	$T_J = 25^\circ\text{C}$ to $150^\circ\text{C}$ , $R_{GE} = 1\text{M}\Omega$	600	V
$V_{GES}$	Continuous	$\pm 20$	V
$V_{GEM}$	Transient	$\pm 30$	V
$I_{C25}$	$T_C = 25^\circ\text{C}$	48	A
$I_{C90}$	$T_C = 90^\circ\text{C}$	24	A
$I_{CM}$	$T_C = 25^\circ\text{C}$ , 1ms	96	A
<b>SSOA</b>	$V_{GE} = 15\text{V}$ , $T_J = 125^\circ\text{C}$ , $R_G = 10\Omega$	$I_{CM} = 48$	A
<b>(RBSOA)</b>	Clamped inductive load	$@0.8 \cdot V_{CES}$	V
$t_{SC}$ <b>(SCSOA)</b>	$V_{GE} = 15\text{V}$ , $V_{CE} = 360\text{V}$ , $T_J = 125^\circ\text{C}$ $R_G = 82\Omega$ , non repetitive	10	$\mu\text{s}$
$P_C$	$T_C = 25^\circ\text{C}$	150	W
$T_J$		-55 ... +150	$^\circ\text{C}$
$T_{JM}$		150	$^\circ\text{C}$
$T_{stg}$		-55 ... +150	$^\circ\text{C}$
$M_d$	Mounting torque	1.13 / 10	Nm/lb.in.
$T_L$	Maximum lead temperature for soldering	300	$^\circ\text{C}$
$T_{SOLD}$	1.6mm (0.062 in.) from case for 10s	260	$^\circ\text{C}$
<b>Weight</b>		6	g

### Features

- International standard package JEDEC TO-247AD
- High frequency IGBT with guaranteed Short Circuit SOA Capability
- 2nd generation HDMOS™ process
- Low  $V_{CE(SAT)}$   
- for low on-state conduction losses
- MOS Gate turn-on  
- drive simplicity

### Applications

- AC motor speed control
- DC servo and robot drives
- DC choppers
- Uninterruptible power supplies (UPS)
- Switch-mode and resonant-mode power supplies
- Welding

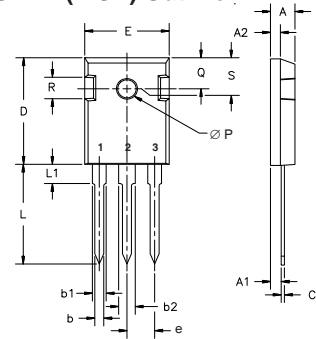
### Advantages

- Easy to mount with 1 screw (isolated mounting screw hole)
- Switching speed for high frequency applications
- High power density

Symbol	Test Conditions ( $T_J = 25^\circ\text{C}$ , unless otherwise specified)	Characteristic Values		
		Min.	Typ.	Max.
$BV_{CES}$	$I_C = 250\mu\text{A}$ , $V_{CE} = V_{GE}$	600		V
$V_{GE(th)}$	$I_C = 1.5\text{mA}$ , $V_{CE} = V_{GE}$	4.0		7.0 V
$I_{CES}$	$V_{CE} = 0.8 \cdot V_{CES}$ $V_{GE} = 0\text{V}$ $T_J = 125^\circ\text{C}$			200 $\mu\text{A}$ 1 mA
$I_{GES}$	$V_{CE} = 0\text{V}$ , $V_{GE} = \pm 20\text{V}$			$\pm 100$ nA
$V_{CE(sat)}$	$I_C = 24\text{A}$ , $V_{GE} = 15\text{V}$ , Note 1	IXSH24N60 IXSH24N60A		2.2 V 2.7 V

Symbol	Test Conditions ( $T_J = 25^\circ\text{C}$ , unless otherwise specified)	Characteristic Values			
		Min.	Typ.	Max.	
$g_{fs}$	$I_C = 24\text{A}$ , $V_{CE} = 10\text{V}$ , Note 1	9	23	S	
$I_{C(ON)}$	$V_{GE} = 15\text{V}$ , $V_{CE} = 10\text{V}$		65	A	
$C_{ies}$	$V_{CE} = 25\text{V}$ , $V_{GE} = 0\text{V}$ , $f = 1\text{MHz}$		1800	pF	
$C_{oes}$			160	pF	
$C_{res}$			45	pF	
$Q_g$	$I_C = 24\text{A}$ , $V_{GE} = 15\text{V}$ , $V_{CE} = 0.5 \cdot V_{CES}$		75	90	nC
$Q_{ge}$			20	30	nC
$Q_{gc}$			35	50	nC
$t_{d(on)}$	<b>Inductive load, <math>T_J = 25^\circ\text{C}</math></b> $I_C = 24\text{A}$ , $V_{GE} = 15\text{V}$ $V_{CE} = 480\text{V}$ , $R_G = 10\Omega$		100		ns
$t_{ri}$			200		ns
$t_{d(off)}$			450		ns
$t_{fi}$		IXSH24N60	500		ns
$E_{off}$		IXSH24N60A	275		ns
	IXSH24N60A	2.0		mJ	
$t_{d(on)}$	<b>Inductive load, <math>T_J = 125^\circ\text{C}</math></b> $I_C = 24\text{A}$ , $V_{GE} = 15\text{V}$ $V_{CE} = 480\text{V}$ , $R_G = 10\Omega$		100		ns
$t_{ri}$			200		ns
$E_{on}$			1.2		mJ
$t_{d(off)}$		IXSH24N60	475		ns
		IXSH24N60A	600		ns
$t_{fi}$		IXSH24N60	450		ns
$E_{off}$	IXSH24N60	4.0		mJ	
	IXSH24N60A	3.0		mJ	
$R_{thJC}$				0.83	$^\circ\text{C/W}$
$R_{thCK}$		0.21			$^\circ\text{C/W}$

TO-247 (IXSH) Outline



Terminals: 1 - Gate 2 - Drain  
3 - Source Tab - Drain

Dim.	Millimeter		Inches	
	Min.	Max.	Min.	Max.
A	4.7	5.3	.185	.209
A <sub>1</sub>	2.2	2.54	.087	.102
A <sub>2</sub>	2.2	2.6	.059	.098
b	1.0	1.4	.040	.055
b <sub>1</sub>	1.65	2.13	.065	.084
b <sub>2</sub>	2.87	3.12	.113	.123
C	.4	.8	.016	.031
D	20.80	21.46	.819	.845
E	15.75	16.26	.610	.640
e	5.20	5.72	0.205	0.225
L	19.81	20.32	.780	.800
L1		4.50		.177
ØP	3.55	3.65	.140	.144
Q	5.89	6.40	0.232	0.252
R	4.32	5.49	.170	.216
S	6.15	BSC	242	BSC

Notes: 1. Pulse test,  $t \leq 300\mu\text{s}$ ; duty cycle,  $d \leq 2\%$ .

### ADVANCE TECHNICAL INFORMATION

The product presented herein is under development. The Technical Specifications offered are derived from a subjective evaluation of the design, based upon prior knowledge and experience, and constitute a "considered reflection" of the anticipated result. IXYS reserves the right to change limits, test conditions, and dimensions without notice.

IXYS reserves the right to change limits, test conditions, and dimensions.

IXYS MOSFETs and IGBTs are covered 4,835,592 4,931,844 5,049,961 5,237,481 6,162,665 6,404,065 B1 6,683,344 6,727,585 7,005,734 B2 7,157,338B2  
by one or more of the following U.S. patents: 4,850,072 5,017,508 5,063,307 5,381,025 6,259,123 B1 6,534,343 6,710,405 B2 6,759,692 7,063,975 B2  
4,881,106 5,034,796 5,187,117 5,486,715 6,306,728 B1 6,583,505 6,710,463 6,771,478 B2 7,071,537

## Looking for pricing, stock, or lifecycle information?

Click below to explore more details on WIN SOURCE:

 [View IXSH24N60 on WIN SOURCE](#)

 [IXYS Information](#)

## Optimize Your Supply Chain with WIN SOURCE Solutions

-  Global Sourcing Solution
-  Obsolete Management
-  Cost Control Management
-  Shortage Management
-  Alternative Solution
-  Excess Inventory Management