



**THE DATASHEET OF
M83-LML3M1N60-0000-000**



Customer Information Sheet

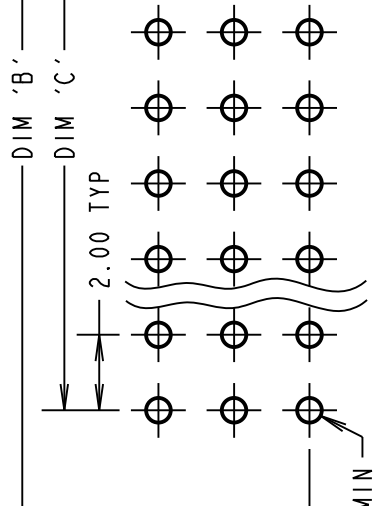
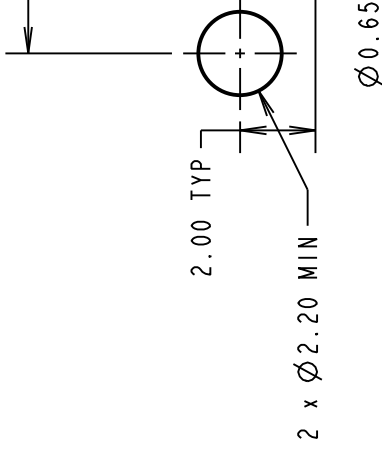
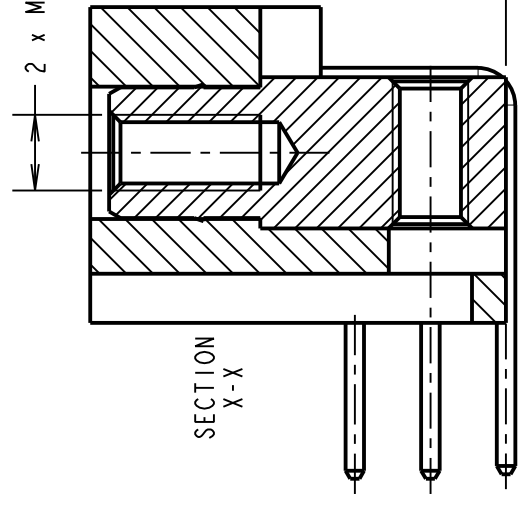
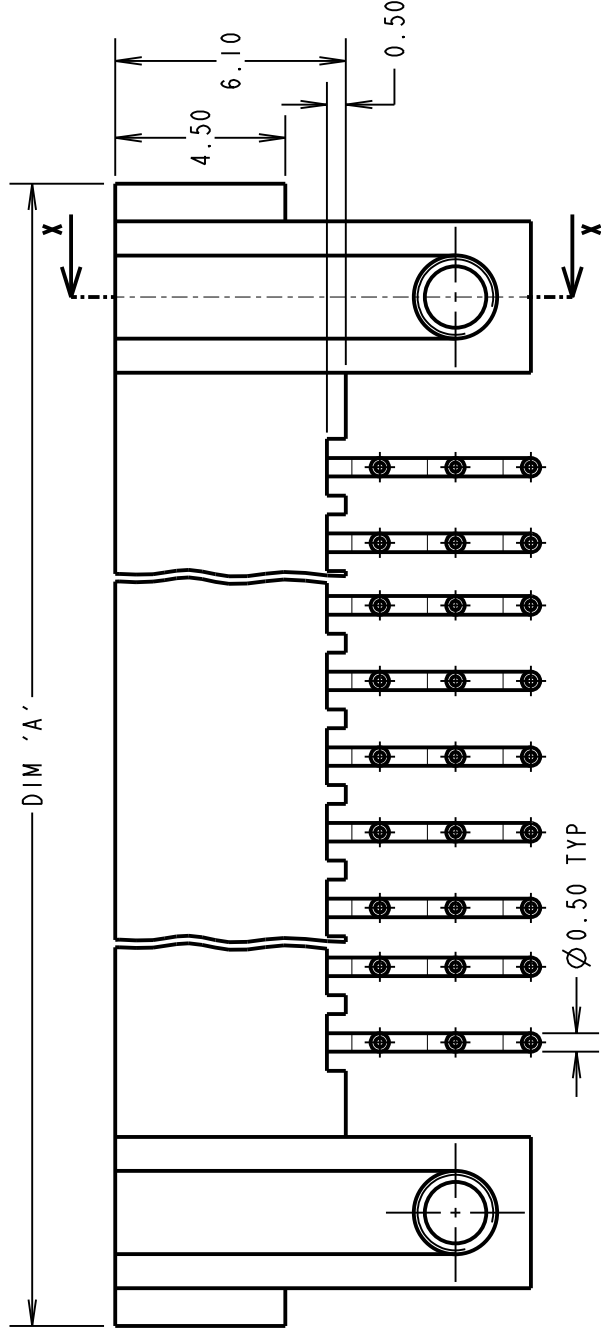
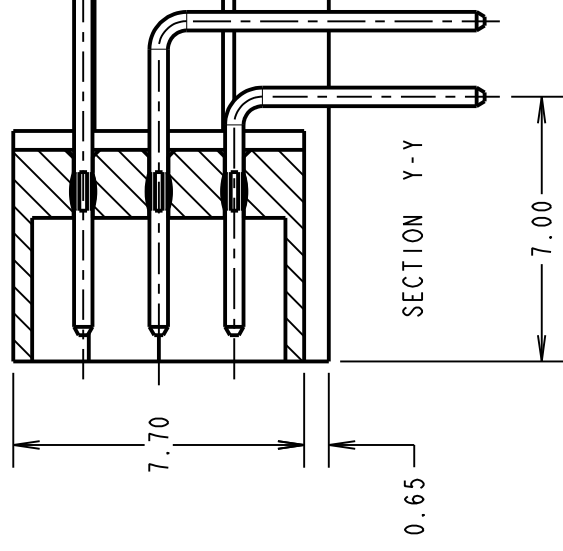
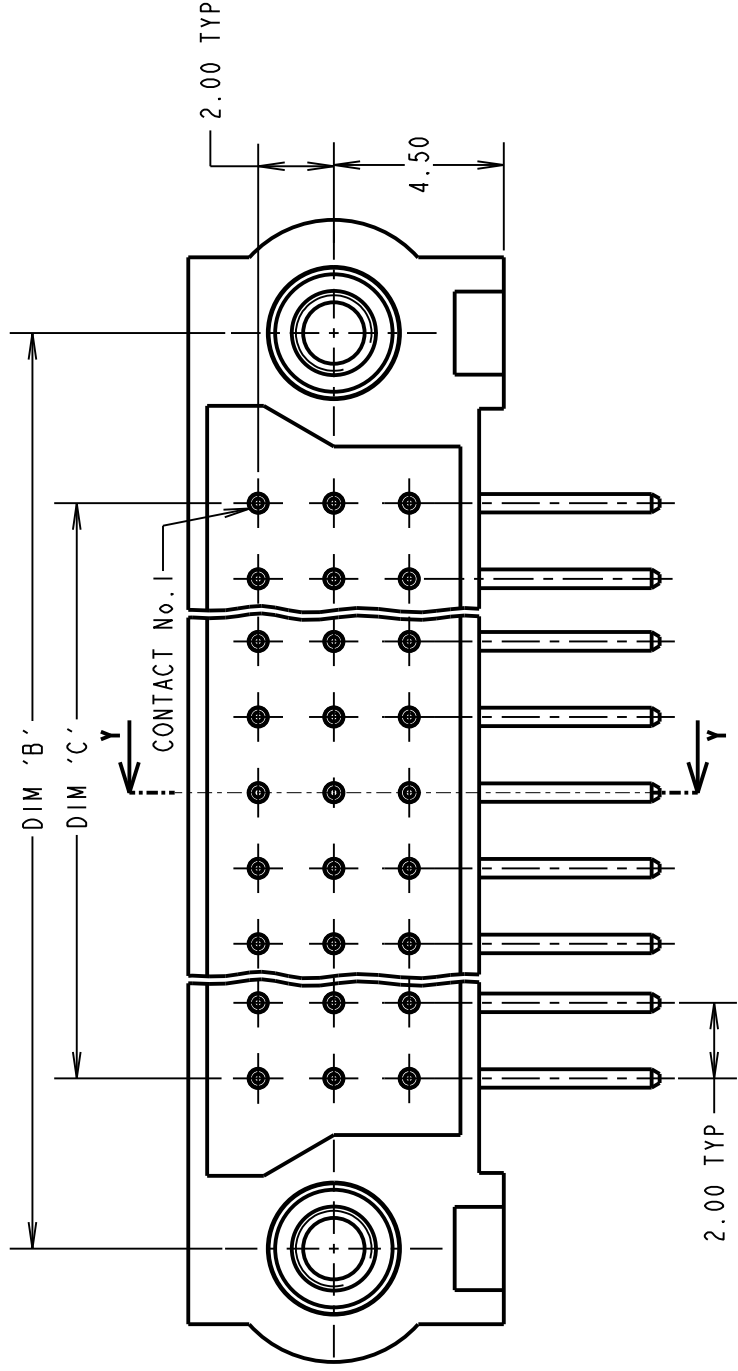
DRAWING No.: M83-LML3MINXX-0000-000

SHEET 2 OF 2

IF IN DOUBT - ASK

(C)

NOT TO SCALE



DIMENSION	CALCULATION
DIM 'A'	((TOTAL No. OF CONTACTS /3) x2) +13
DIM 'B'	((TOTAL No. OF CONTACTS /3) x2) +7
DIM 'C'	((TOTAL No. OF CONTACTS /3) x2) -2
EXAMPLE 1: CONNECTOR WITH 27 CONTACTS, M83-LML3MIN27-0000-000 DIM 'A' = 31.00mm, DIM 'B' = 25.00mm, DIM 'C' = 16.00mm	
EXAMPLE 2: CONNECTOR WITH 54 CONTACTS, M83-LML3MIN54-0000-000 DIM 'A' = 49.00mm, DIM 'B' = 43.00mm, DIM 'C' = 34.00mm	

HARWIN
www.harwin.com
technical@harwin.com

THIS DRAWING AND ANY INFORMATION OR DESCRIPTIVE MATTER SET OUT HEREON ARE CONFIDENTIAL AND COPYRIGHT PROPERTY OF THE HARWIN GROUP AND MUST NOT BE DISCLOSED, LOANED, COPIED OR USED FOR MANUFACTURING, TENDERING OR FOR ANY OTHER PURPOSE WITHOUT THEIR WRITTEN PERMISSION.

TOLERANCES
X. = ± 1mm
X.X = ± 0.25mm
X.XX = ± 0.10mm
X.XXX = ± 0.01mm
ANGLES = ± 5°
UNLESS STATED

MATERIAL

FINISH

S/ART





Looking for pricing, stock, or lifecycle information?

Click below to explore more details on WIN SOURCE:

 [View M83-LML3M1N60-0000-000 on WIN SOURCE](#)

 [Harwin Inc. Information](#)

Optimize Your Supply Chain with WIN SOURCE Solutions

-  Global Sourcing Solution
-  Obsolete Management
-  Cost Control Management
-  Shortage Management
-  Alternative Solution
-  Excess Inventory Management