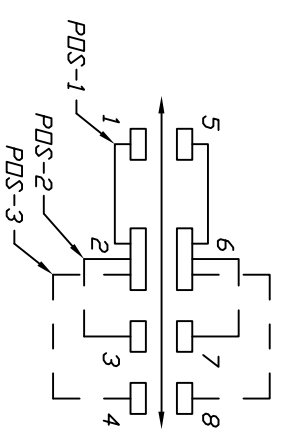
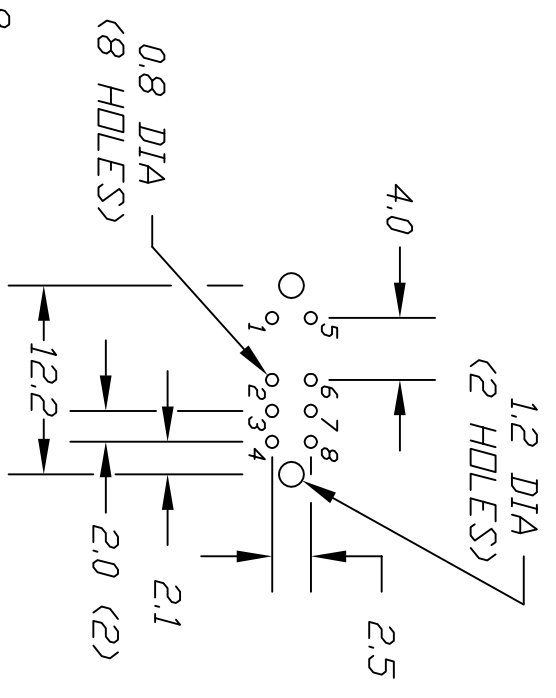
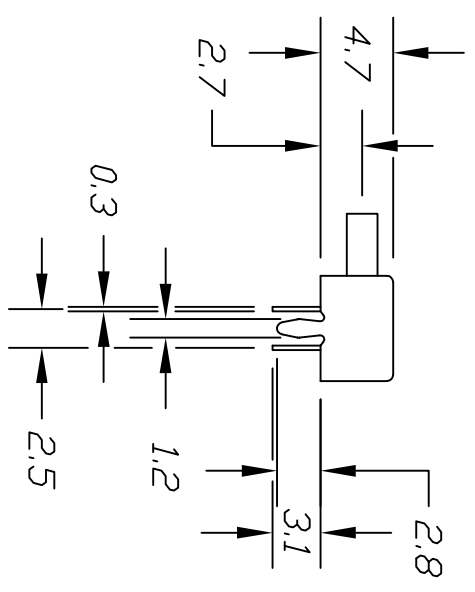
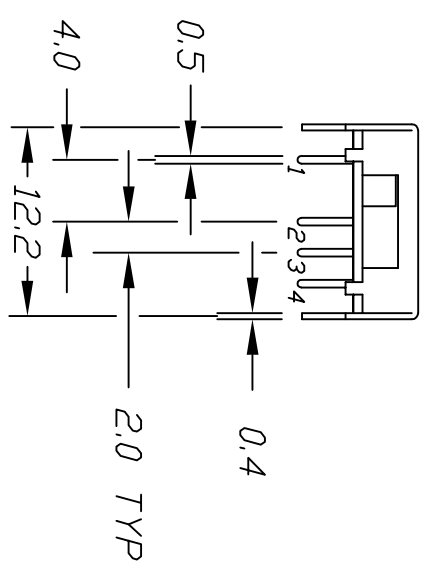
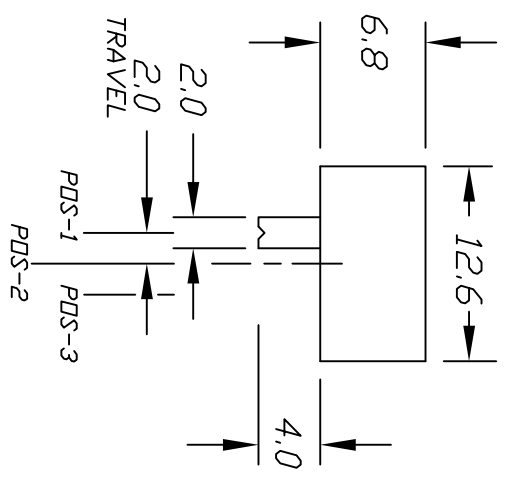




**THE DATASHEET OF
EG2310A**





NOTES:

1. ALL DIMENSIONS IN MM
2. TERM. NOS. FOR REF ONLY
3. RATING: 0.2A @ 30VDC
4. CIRCUIT: DP3T
5. TIMING: NON-SPECIFIED
6. 2002/95/EC (ROHS) COMPLIANT

B	ADD TIMING NOTE	1/1/20/09	BLR
REV.	DESCRIPTION	DATE	CHKD

TOLERANCES	
0.0	±0.4
0.00	±0.25

TITLE		EG 2310A	
SCALE	DATE	DR	DWG
2:1	12/28/94	JL	P040231
E-SWITCH™		REV	B

THE INFORMATION CONTAINED IN THIS DOCUMENT IS PROPRIETARY TO E-SWITCH AND IS NOT TO BE COPIED OR TRANSFERRED

Looking for pricing, stock, or lifecycle information?

Click below to explore more details on WIN SOURCE:

 [View EG2310A on WIN SOURCE](#)

 [E-Switch Information](#)

Optimize Your Supply Chain with WIN SOURCE Solutions

-  Global Sourcing Solution
-  Obsolete Management
-  Cost Control Management
-  Shortage Management
-  Alternative Solution
-  Excess Inventory Management