



**THE DATASHEET OF  
OSTHA034050**



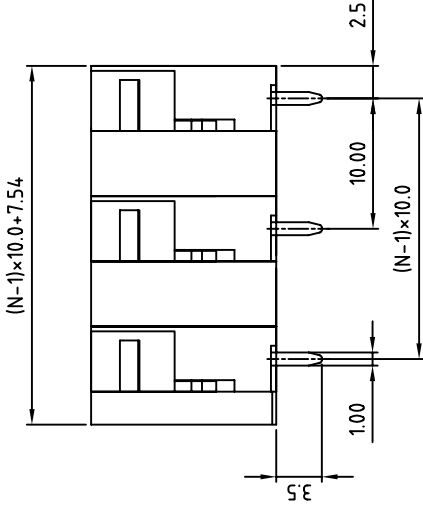
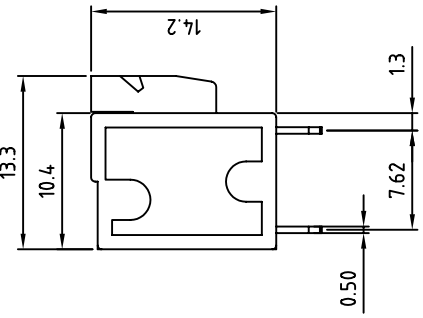
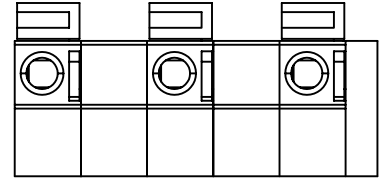
1

2

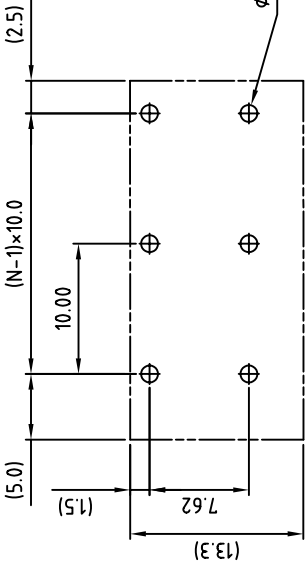
3

4

5



N=Number of contacts



P.C.B. LAYOUT

THESE DRAWINGS AND SPECIFICATIONS ARE THE PROPERTY OF ON-SHORE TECHNOLOGY, INC. AND SHALL NOT BE REPRODUCED, COPIED OR USED IN ANY MANNER WITHOUT THE PRIOR WRITTEN CONSENT OF ON-SHORE TECHNOLOGY, INC.

SIGN	DATE

THIS IS CAD DRAWING

Material

- Terminal body (Contact): Copper
  - Wire guard: Stainless Steel
  - Surface of solder tabs: Tin
  - Insulator (housing): TPC
- Electrical      cU
- Voltage rating: 300V
  - Current rating: 10A/100°C
  - Wire range: 0.5-1.0mm
  - Solid wire(AWG): 14-22
  - Stranded wire(AWG): 16-22
  - Wire strip length: 6-10mm
  - Withstanding Voltage: 1000V
  - Operating temperature: -40°C to 105°C
  - Soldering temperature: 235°C
  - Safety Approval: CE

RoHS Compliant

PART NUMBER: Osthaxx

No. of Pcs:  
 02: 2 Pcs  
 03: 3 Pcs  
 ... ..  
 12: 12 Pcs



TITLE	OSTHA-10.0mm Vertical (90° wire inlet)		
PART NO.	OSTHAXX4050		
APPROVED	Shi Jun 2006.11.01	CHECKED	Marvin 2006.11.01
DESIGNED	Steady 2006.10.11	DRAWN	Steady 2006.10.11

1

2

3

4

5

## Looking for pricing, stock, or lifecycle information?

Click below to explore more details on WIN SOURCE:

- [View OSTHA034050 on WIN SOURCE](#)
- [On Shore Technology Inc. Information](#)

## Optimize Your Supply Chain with WIN SOURCE Solutions

- ✓ Global Sourcing Solution
- ✓ Obsolete Management
- ✓ Cost Control Management
- ✓ Shortage Management
- ✓ Alternative Solution
- ✓ Excess Inventory Management