



# THE DATASHEET OF A443DSC



## FLAT AND DOME COVER, CONTOURED, TYPE 4



### INDUSTRY STANDARDS

UL 508A Listed; Type 4, 6, 12, 13; File No. E61997  
 cUL Listed per CSA C22.2 No. 94; Type 4, 6, 12, 13; File No. E61997

NEMA Type 4, 6, 12, and 13  
 CSA, File No. 42186: Type 4, 12, and 13  
 IEC 60529, IP67

### APPLICATION

An economical solution for a broad range of electrical and terminal wiring applications that don't require a back panel, this enclosure features aesthetic, rounded corners and is available in flat and dome cover models for mounting flexibility.

### SPECIFICATIONS

- Drawn 16 gauge steel (no welded seams or sharp corners)
- Cover screws
- Formed flanged cover
- Oil-resistant gasket
- External wall-mounting brackets
- Bonding provision on flat cover; grounding nut in body

### FINISH

ANSI 61 gray polyester powder paint inside and out

### ACCESSORIES

See also *Accessories chapter*.

### MODIFICATION AND CUSTOMIZATION

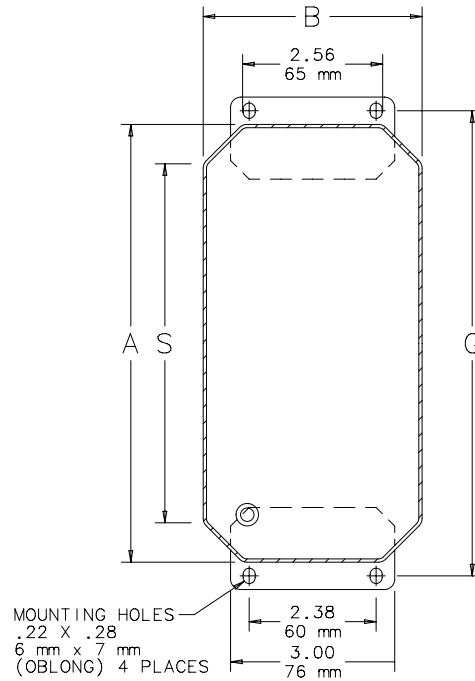
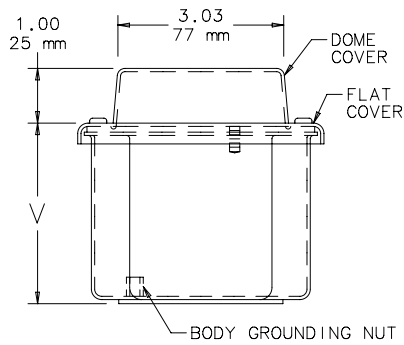
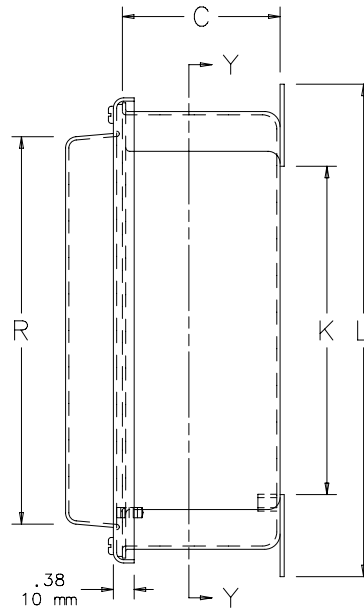
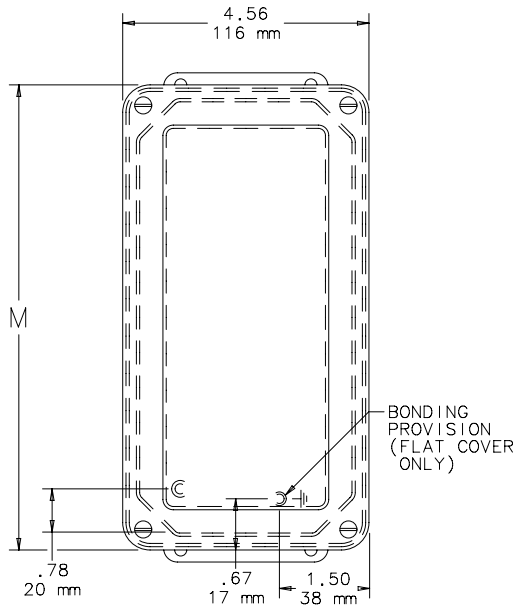
Hoffman excels at modifying and customizing products to your specifications. Contact your local Hoffman sales office or distributor for complete information.

**BULLETIN: A51DR**

### Standard Product

Catalog Number	AxBxC in./mm	Interior Volume (in. <sup>3</sup> )	Mounting G in./mm	Cover Type	K in./mm	L in./mm	M in./mm	R in./mm	S in./mm	V in./mm
A443DSC	3.50 x 4.00 x 2.75	32.6	4.00	Flat	1.50	4.50	4.06	n/a	2.06	2.98
	89 x 102 x 70		102		38	114	103	n/a	52	76
A643DSC	5.75 x 4.00 x 2.75	55.9	6.25	Flat	3.75	6.75	6.31	n/a	4.31	2.98
	146 x 102 x 70		159		95	171	160	n/a	109	76
A843DSC	8.00 x 4.00 x 2.75	79.4	8.50	Flat	6.00	9.00	8.56	n/a	6.56	2.98
	203 x 102 x 70		216		152	229	217	n/a	167	76
A1043DSC	10.25 x 4.00 x 2.75	102.8	10.75	Flat	8.25	11.25	10.81	n/a	8.81	2.98
	260 x 102 x 70		273		210	286	275	n/a	224	76
A445DSC	3.50 x 4.00 x 3.75	44.7	4.00	Dome	1.50	4.50	4.06	2.53	2.06	3.98
	89 x 102 x 95		102		38	114	103	64	52	101
A645DSC	5.75 x 4.00 x 3.75	76.9	6.25	Dome	3.75	6.75	6.31	4.78	4.31	3.98
	146 x 102 x 95		159		95	171	160	121	109	101
A845DSC	8.00 x 4.00 x 3.75	109.1	8.50	Dome	6.00	9.00	8.56	7.03	6.56	3.98
	203 x 102 x 95		216		152	229	217	179	167	101
A1045DSC	10.25 x 4.00 x 3.75	141.2	10.75	Dome	8.25	11.25	10.81	9.25	8.81	3.98
	260 x 102 x 95		273		210	286	275	235	224	101

Domed-cover enclosure depth = V + 1 in. (25 mm)





SECTION Y-Y

C2473-C

## Looking for pricing, stock, or lifecycle information?

Click below to explore more details on WIN SOURCE:

-  [View A443DSC on WIN SOURCE](#)
-  [Hoffman Enclosures, Inc. Information](#)

## Optimize Your Supply Chain with WIN SOURCE Solutions

-  Global Sourcing Solution
-  Obsolete Management
-  Cost Control Management
-  Shortage Management
-  Alternative Solution
-  Excess Inventory Management