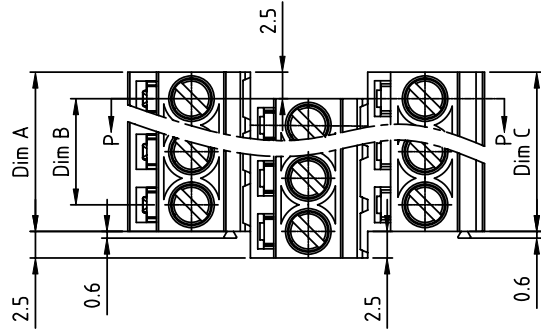




**THE DATASHEET OF  
YH6901510000G**



PRODUCT NUMBER	PITCH
YHxx01x100J0G	5.00 mm



A

DIMENSION

Dim A	N/3x5.0
Dim B	(N/3-1)x5.0
Dim C	N/3x5.0

N=Number of poles

Poles	Tolerance
3x2poles~3x6poles	±0.15
3x7poles~3x12poles	±0.25
3x13poles~3x18poles	±0.35
3x19poles~3x24poles	±0.40

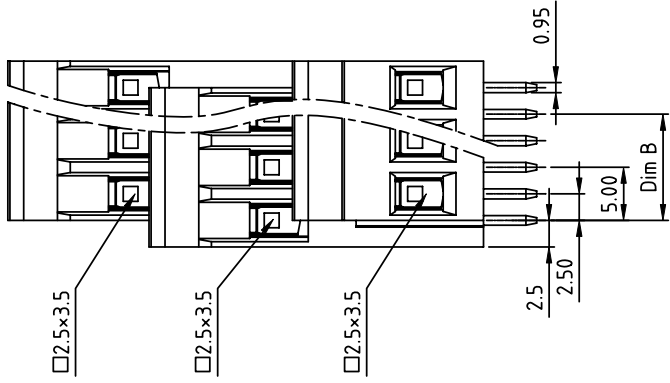
PART NO.: YH XX 01 X 1 00J0 G

End stackable  
No. of poles  
06 3x2poles  
09 3x3poles  
...  
72 3x24poles

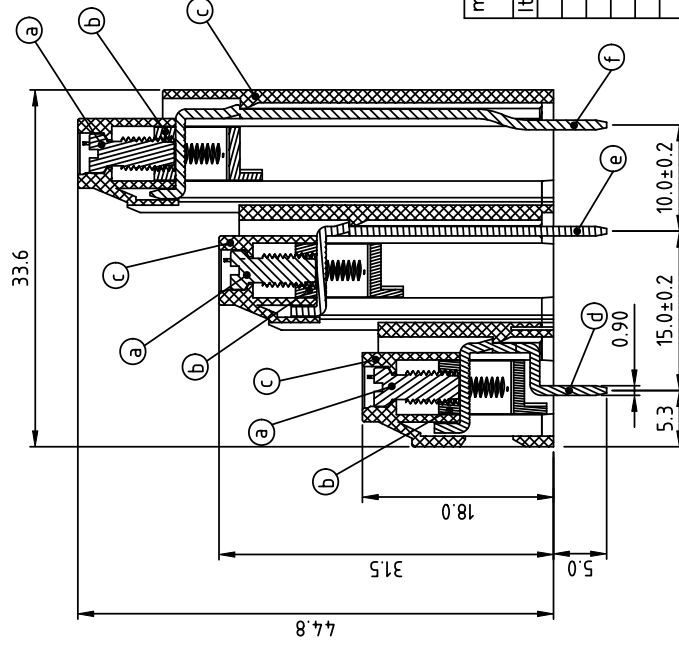
Color

RoHS compliant  
(lead<4%)  
In copper Alloy

- 0 Black (RAL9005)
- 2 Red (RAL3001/D)
- 3 Orange(RAL2011/P)
- 4 Yellow(RAL1018/A)
- 5 Green(RAL6018/T)
- 6 Blue (RAL5015/A)
- 8 Grey(RAL7035/D)
- 9 White(RAL1102)
- C Green(RAL6018/U)



B



SECTION P-P

mat'l. code	surface	tr	ecn no	dr	date
	ASME Y14.5				
	tolerances unless oth				
	angles				
	X°±1'				
	dr				
	ENGR				
	chr				
	appd				
sheet	revision	A			
index	sheet	1			

form: A4mmxLc



1

2

PDS: Rev

## Looking for pricing, stock, or lifecycle information?

Click below to explore more details on WIN SOURCE:

-  [View YH6901510000G on WIN SOURCE](#)
-  [Amphenol Anytek Information](#)

## Optimize Your Supply Chain with WIN SOURCE Solutions

-  Global Sourcing Solution
-  Obsolete Management
-  Cost Control Management
-  Shortage Management
-  Alternative Solution
-  Excess Inventory Management