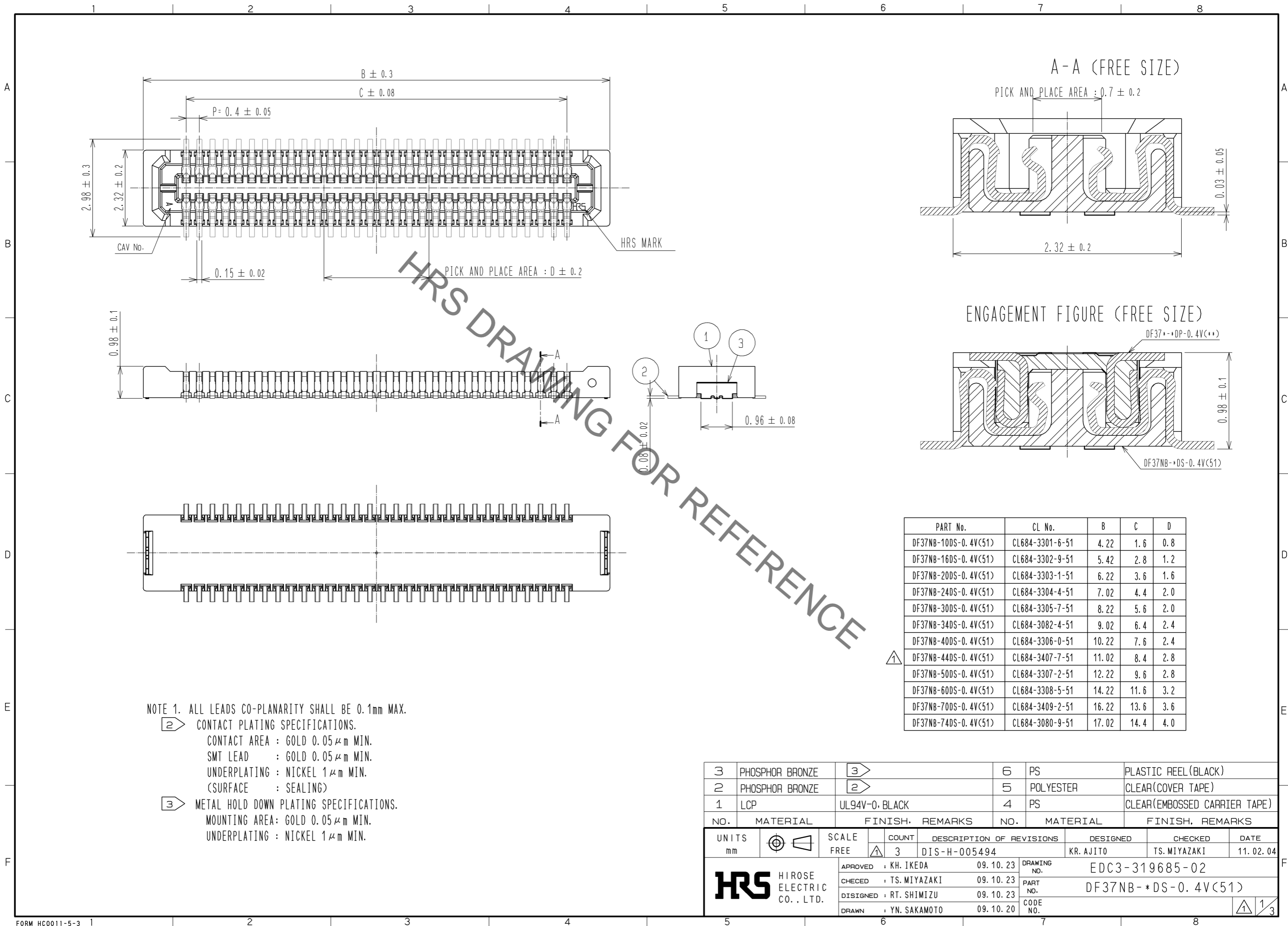




**THE DATASHEET OF
DF37NB-20DS-0.4V(51)**



Sep.1.2019 Copyright 2019 HIROSE ELECTRIC CO., LTD. All Rights Reserved.
In case of consideration for using Automotive equipment / device which demand high reliability, kindly contact our sales window correspondents.



HRS DRAWING FOR REFERENCE

NOTE 1. ALL LEADS CO-PLANARITY SHALL BE 0.1mm MAX.

② CONTACT PLATING SPECIFICATIONS.
 CONTACT AREA : GOLD 0.05 μm MIN.
 SMT LEAD : GOLD 0.05 μm MIN.
 UNDERPLATING : NICKEL 1 μm MIN.
 (SURFACE : SEALING)

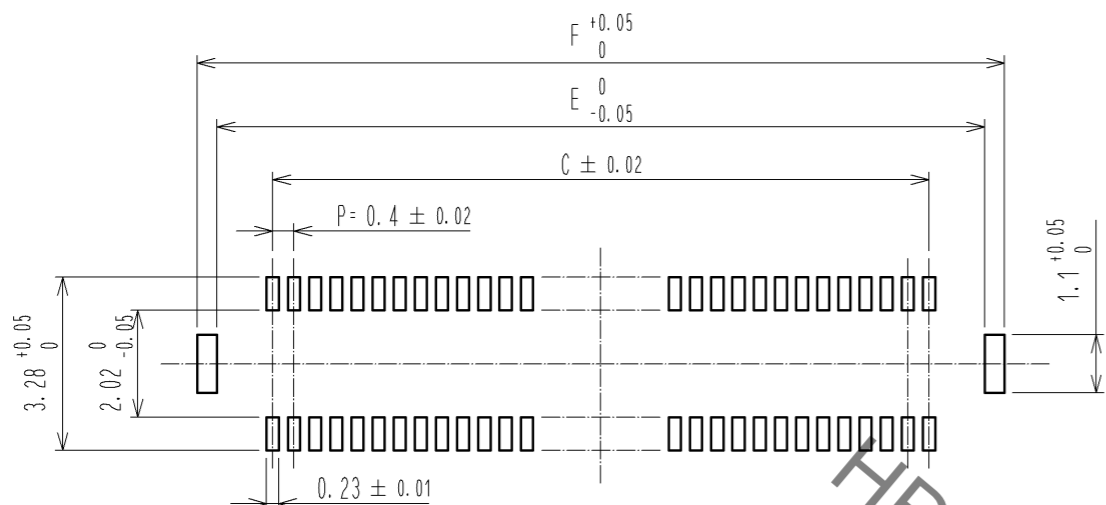
③ METAL HOLD DOWN PLATING SPECIFICATIONS.
 MOUNTING AREA: GOLD 0.05 μm MIN.
 UNDERPLATING : NICKEL 1 μm MIN.

PART No.	CL No.	B	C	D
DF37NB-10DS-0.4V(51)	CL684-3301-6-51	4.22	1.6	0.8
DF37NB-16DS-0.4V(51)	CL684-3302-9-51	5.42	2.8	1.2
DF37NB-20DS-0.4V(51)	CL684-3303-1-51	6.22	3.6	1.6
DF37NB-24DS-0.4V(51)	CL684-3304-4-51	7.02	4.4	2.0
DF37NB-30DS-0.4V(51)	CL684-3305-7-51	8.22	5.6	2.0
DF37NB-34DS-0.4V(51)	CL684-3082-4-51	9.02	6.4	2.4
DF37NB-40DS-0.4V(51)	CL684-3306-0-51	10.22	7.6	2.4
DF37NB-44DS-0.4V(51)	CL684-3407-7-51	11.02	8.4	2.8
DF37NB-50DS-0.4V(51)	CL684-3307-2-51	12.22	9.6	2.8
DF37NB-60DS-0.4V(51)	CL684-3308-5-51	14.22	11.6	3.2
DF37NB-70DS-0.4V(51)	CL684-3409-2-51	16.22	13.6	3.6
DF37NB-74DS-0.4V(51)	CL684-3080-9-51	17.02	14.4	4.0

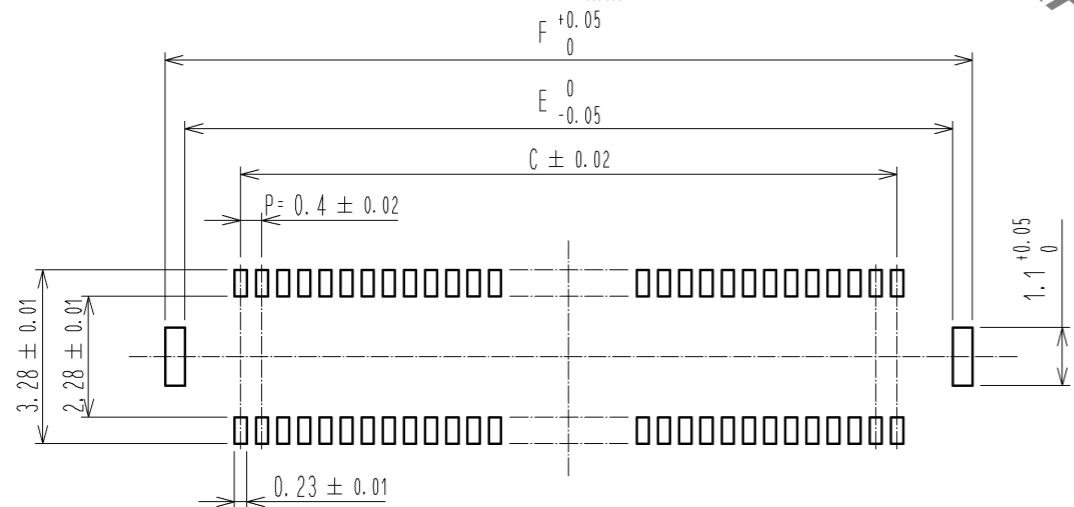
3	PHOSPHOR BRONZE	③	6	PS	PLASTIC REEL (BLACK)			
2	PHOSPHOR BRONZE	②	5	POLYESTER	CLEAR (COVER TAPE)			
1	LCP	UL94V-0, BLACK	4	PS	CLEAR (EMBOSSED CARRIER TAPE)			
NO.	MATERIAL	FINISH, REMARKS	NO.	MATERIAL	FINISH, REMARKS			
UNITS	mm	SCALE	FREE	COUNT	DESCRIPTION OF REVISIONS	DESIGNED	CHECKED	DATE
				3	DIS-H-005494	KR. AJITO	TS. MIYAZAKI	11.02.04
APPROVED : KH. IKEDA		09.10.23	DRAWING NO.		EDC3-319685-02			
CHECKED : TS. MIYAZAKI		09.10.23	PART NO.		DF37NB-*DS-0.4V(51)			
DESIGNED : RT. SHIMIZU		09.10.23	CODE NO.					
DRAWN : YN. SAKAMOTO		09.10.20						

Sep.1.2019 Copyright 2019 HIROSE ELECTRIC CO., LTD. All Rights Reserved.
In case of consideration for using Automotive equipment / device which demand high reliability, kindly contact our sales window correspondents.

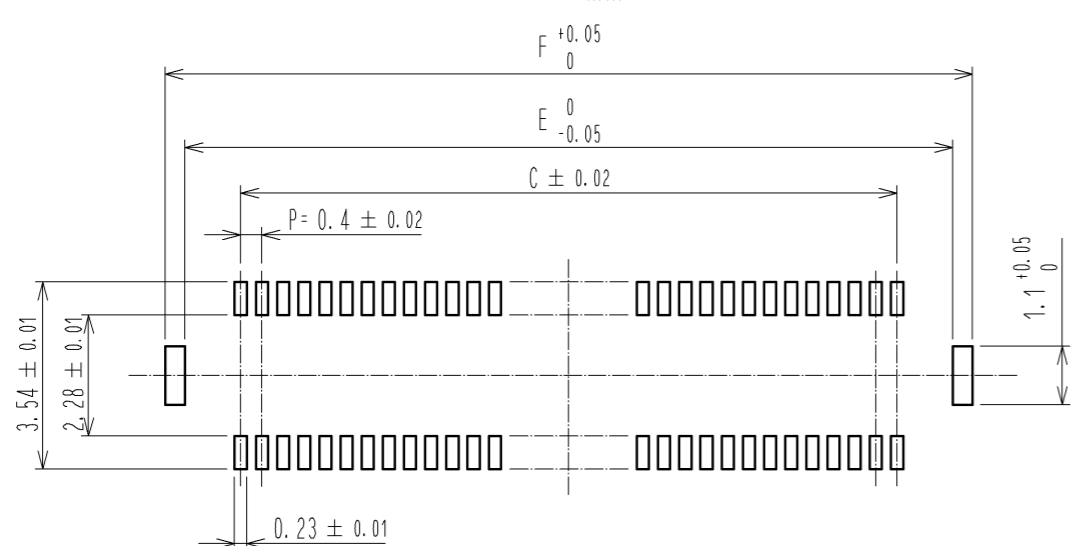
◆ RECOMMENDED PCB LAYOUT (MOUNTING SURFACE SIDE)



◆ RECOMMENDED METAL MASK DIMENSIONS
METAL MASK THICKNESS : 0.12mm



◆ RECOMMENDED METAL MASK DIMENSIONS
METAL MASK THICKNESS : 0.1mm

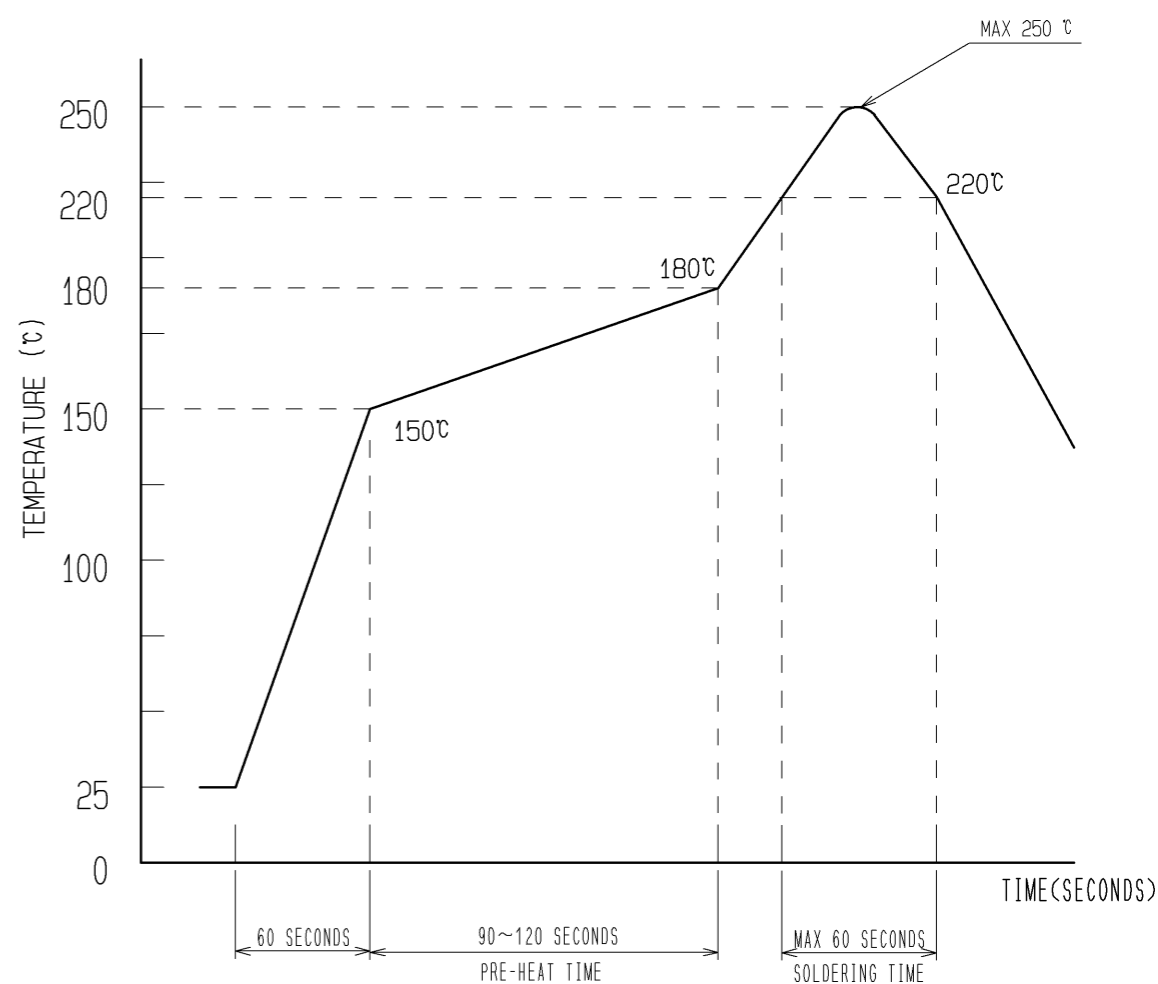


HRS DRAWING FOR REFERENCE

PART No.	C	E	F
DF37NB-10DS-0.4V(51)	1.6	3.7	4.46
DF37NB-16DS-0.4V(51)	2.8	4.9	5.66
DF37NB-20DS-0.4V(51)	3.6	5.7	6.46
DF37NB-24DS-0.4V(51)	4.4	6.5	7.26
DF37NB-30DS-0.4V(51)	5.6	7.7	8.46
DF37NB-34DS-0.4V(51)	6.4	8.5	9.26
DF37NB-40DS-0.4V(51)	7.6	9.7	10.46
DF37NB-44DS-0.4V(51)	8.4	10.5	11.26
DF37NB-50DS-0.4V(51)	9.6	11.7	12.46
DF37NB-60DS-0.4V(51)	11.6	13.7	14.46
DF37NB-70DS-0.4V(51)	13.6	15.7	16.46
DF37NB-74DS-0.4V(51)	14.4	16.5	17.26

△

4 RECOMMENDED REFLOW TEMPERATURE PROFILE USING LEAD-FREE SOLDER PASTE.



- REFLOW TIME
REFLOW METHOD: IR REFLOW
NUMBER OF REFLOW CYCLES: 2 CYCLES MAX.
DURATION ABOVE 220 °C: 60 SEC. MAX.
(PEAK TEMPERATURE: 250°C MAX.)
- PRE-HEAT TIME
PRE-HEAT TEMPERATURE(MIN) : 150 °C
PRE-HEAT TEMPERATURE(MAX) : 180 °C
PRE-HEAT TIME : 90~120 sec.

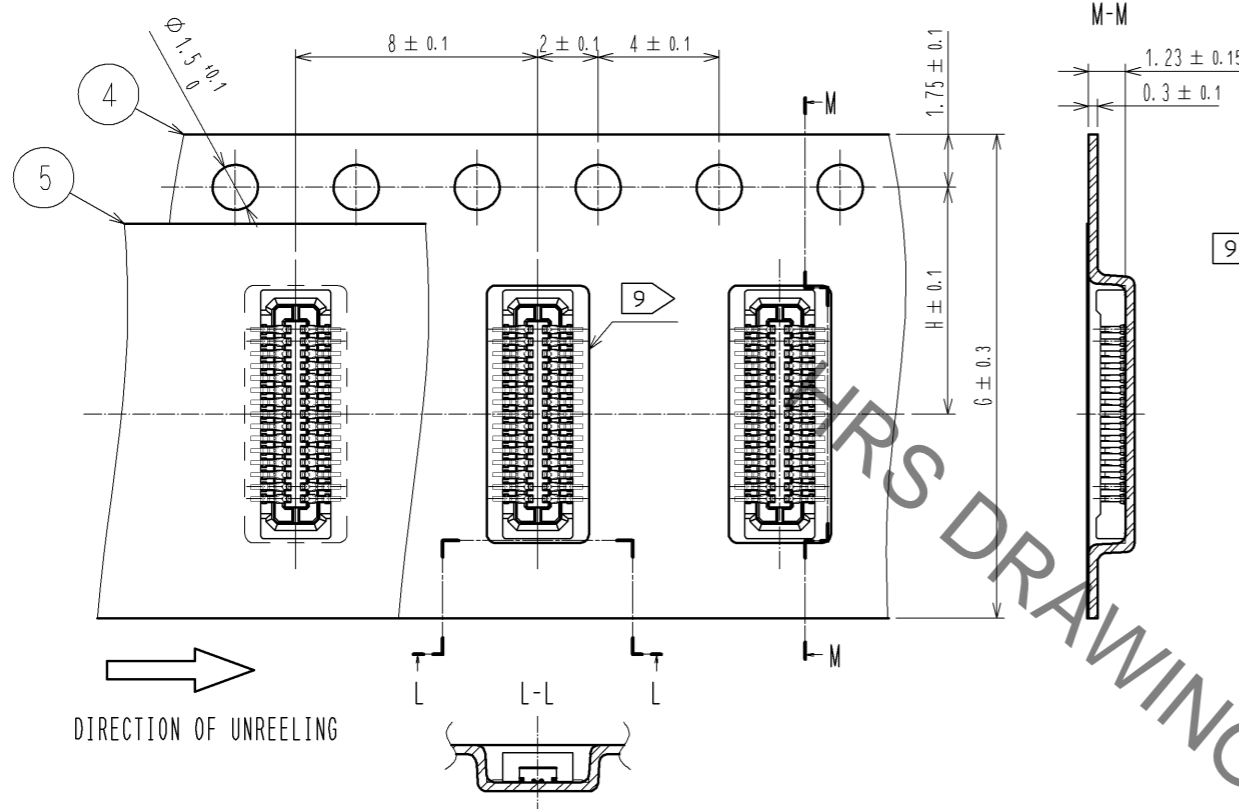
4 THIS TEMPERATURE PROFILE IS PER THE CONDITIONS SHOWN ABOVE. ADDITIONAL FACTORS, SUCH AS SOLDER PASTE TYPE, PCB SIZE AND OTHER MOUNTED COMPONENTS COULD AFFECT THE PROFILE. THEREFORE, A THOROUGH EVALUATION OF MOUNTING CONDITION IS REQUIRED PRIOR TO PRODUCTION. TEMPERATURE IS MEASURED AT CONTACT LEAD.

HRS	DRAWING NO.	EDC3-319685-02
	PART NO.	DF37NB-*DS-0.4V(51)
	CODE NO.	

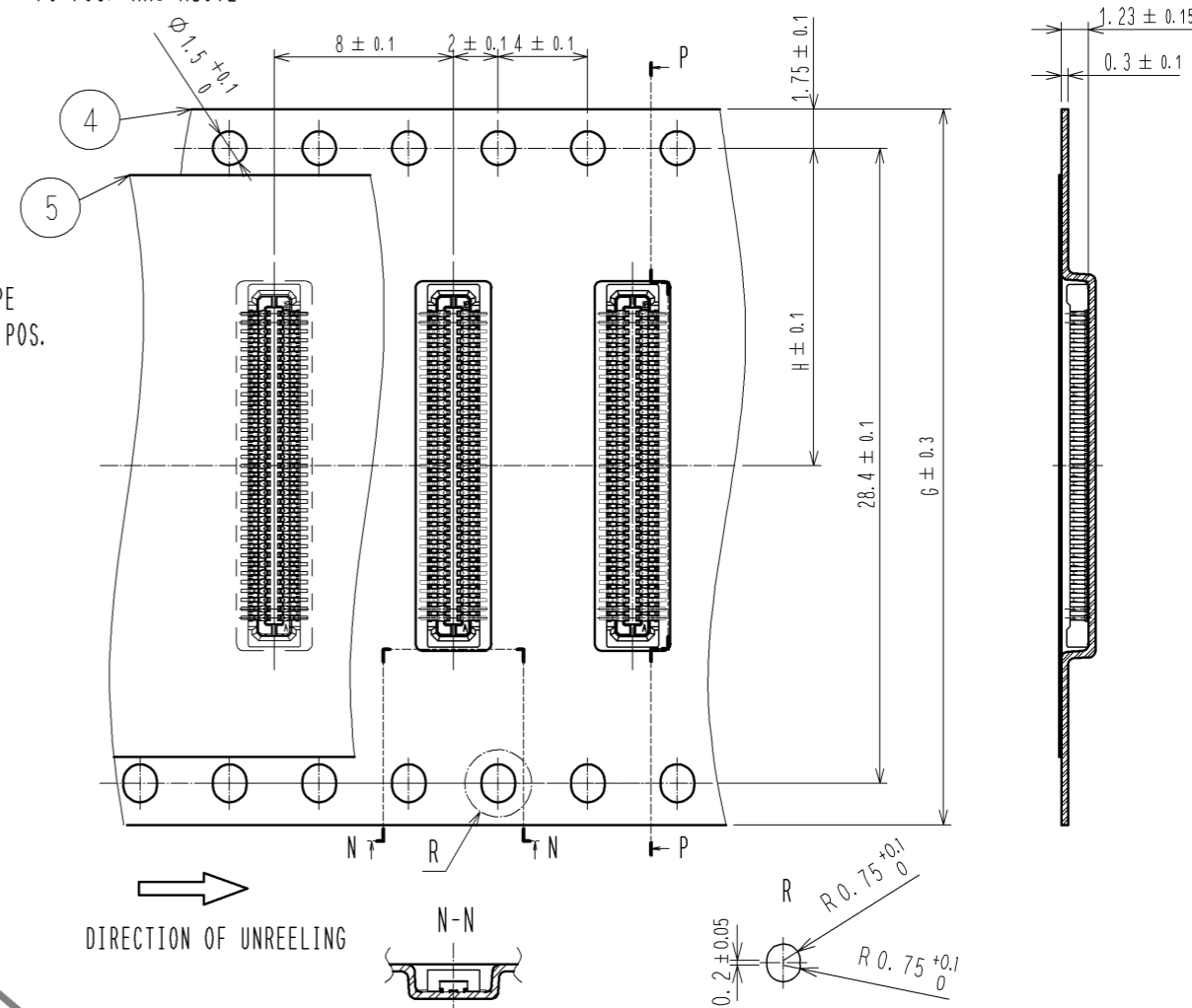
Sep.1.2019 Copyright 2019 HIROSE ELECTRIC CO., LTD. All Rights Reserved.
In case of consideration for using Automotive equipment / device which demand high reliability, kindly contact our sales window correspondents.

EMBOSSED CARRIER TAPE PACKAGING (FREE SIZE)

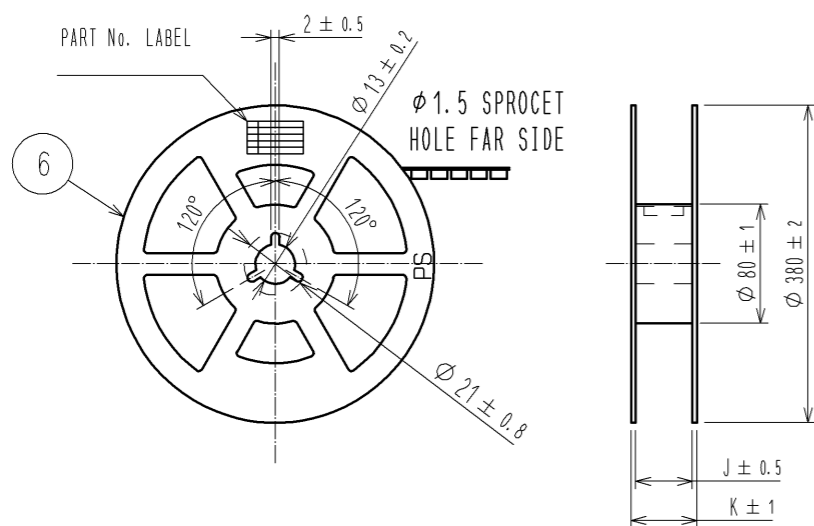
◆ UNDER 60 POS.



◆ 70 POS. AND ABOVE



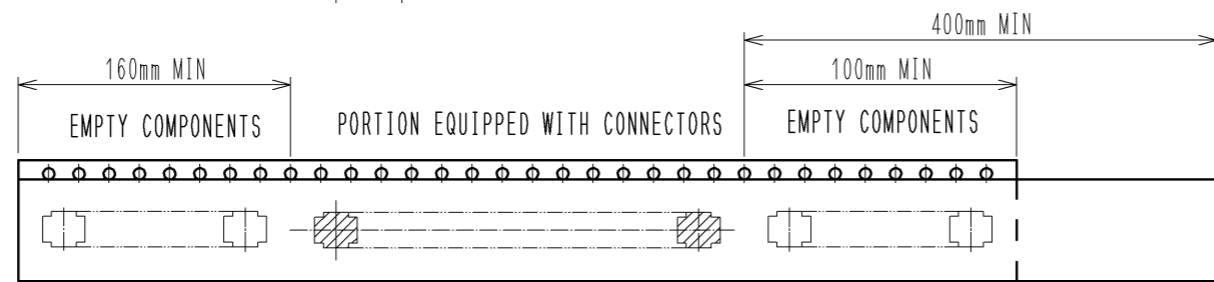
STYLE AND DIMENSION OF REEL (FREE SIZE)



DETAIL OF PART No. LABEL

SUPPLIER	HIROSE ELECTRIC CO., LTD.
QUANTITY	8000
PART NO.	DF37NB-DS-0.4V(51)
CODE NO.	** ** *
DATE OF MANUFACTURED	年 月 日
製造年月日	年 月 日
製品コード	** ** *
製品名	DF37NB-DS-0.4V(51)
数量	8000個
納入者	ヒロセ電機(株)

PART No.	G	H	J	K
DF37NB-10DS-0.4V(51)	16	7.5	17.5	21.5
DF37NB-16DS-0.4V(51)	16	7.5	17.5	21.5
DF37NB-20DS-0.4V(51)	16	7.5	17.5	21.5
DF37NB-24DS-0.4V(51)	16	7.5	17.5	21.5
DF37NB-30DS-0.4V(51)	24	11.5	25.5	29.5
DF37NB-34DS-0.4V(51)	24	11.5	25.5	29.5
DF37NB-40DS-0.4V(51)	24	11.5	25.5	29.5
DF37NB-44DS-0.4V(51)	24	11.5	25.5	29.5
DF37NB-50DS-0.4V(51)	24	11.5	25.5	29.5
DF37NB-60DS-0.4V(51)	24	11.5	25.5	29.5
DF37NB-70DS-0.4V(51)	32	14.2	37.5	33.5
DF37NB-74DS-0.4V(51)	32	14.2	37.5	33.5



NOTES 5. PER REEL 8000 CONNECTORS.

6. THE DIMENSIONS IN PARENTHESSES ARE FOR REFERENCE.

7. REFER TO JIS C 0806(PACKING OF COMPONENTS FOR AUTOMATIC HANDLING)

8. DETAIL OF PART NO. LABEL IS WRITTEN IN JAPANESE.

9. EMBOSS POCKET OF LESS THAN 20 POS. SHALL BE CROSS.

HRS	DRAWING NO.	EDC3-319685-02
	PART NO.	DF37NB-DS-0.4V(51)
	CODE NO.	

3/3

Looking for pricing, stock, or lifecycle information?

Click below to explore more details on WIN SOURCE:

- [View DF37NB-20DS-0.4V\(51\) on WIN SOURCE](#)
- [Hirose Electric Co Ltd Information](#)

Optimize Your Supply Chain with WIN SOURCE Solutions

- ✓ Global Sourcing Solution
- ✓ Obsolete Management
- ✓ Cost Control Management
- ✓ Shortage Management
- ✓ Alternative Solution
- ✓ Excess Inventory Management