



**THE DATASHEET OF
KD441050A000G**



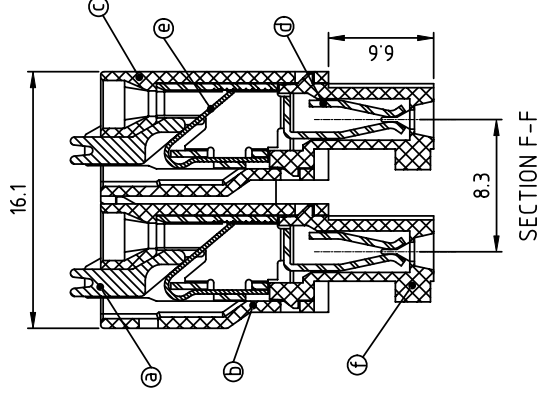
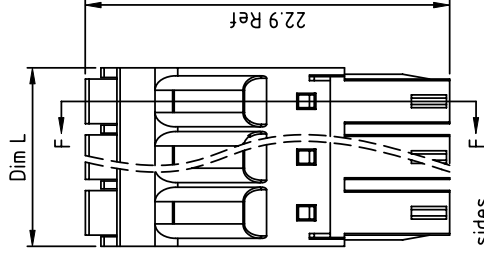
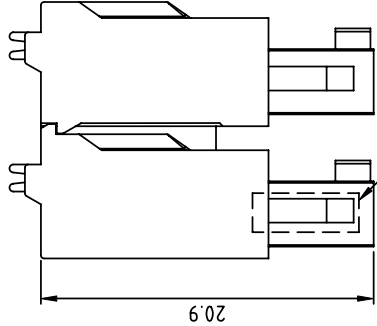
PRODUCT NUMBER	PITCH
KDxx10x0A0J0G	3.50 mm

Dim L = (N/2-1) × 3.5 + 4.2
 Dim P = (N/2-1) × 3.5

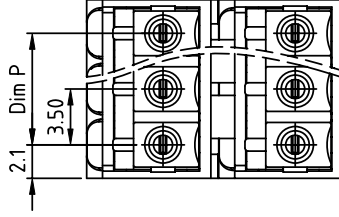
N=Number of poles

POLES	Tolerance
2×2P-2×6P	±0.15
2×7P-2×12P	±0.25
2×13P-2×18P	±0.30
2×19P-2×24P	±0.40

PART NUMBER
 Solid blank
 No. of poles
 04 2x2P
 06 2x3P
 ...
 48 2x24P



2x2P-2x6P Ribs on both sides
 2x7P-2x12P No rib



- Material:
- Item ⓐ T
 - Item ⓑ T
 - Item ⓒ T
 - Item ⓓ F
 - Item ⓔ S
 - Item ⓕ B
- Electrical:
- Voltage
 - Current
 - Wire ran
 - Solid wir
 - Strander
 - Wire str
 - Withstar
 - Operatin
 - Safety /

mat'l. code		surface	tolerances unless oth
ltr	ecn no	dr	date
B	T-24175	HF	052816
sheet index	revision	sheet	1
	B	1	

Looking for pricing, stock, or lifecycle information?

Click below to explore more details on WIN SOURCE:

- ⊖ [View KD441050A000G on WIN SOURCE](#)
- ⊖ [Amphenol Anytek Information](#)

Optimize Your Supply Chain with WIN SOURCE Solutions

- ✓ Global Sourcing Solution
- ✓ Obsolete Management
- ✓ Cost Control Management
- ✓ Shortage Management
- ✓ Alternative Solution
- ✓ Excess Inventory Management