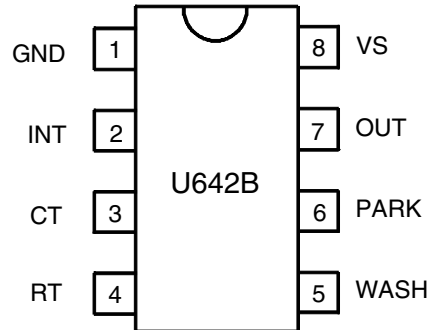


Pin Configuration

Figure 2. Pinning



Pin Description

Pin	Symbol	Function
1	GND	Ground
2	INT	Interval switch
3	CT	Timing capacitor C_2
4	RT	After-wiping time resistance
5	WASH	Wipe/wash switch
6	PARK	Park switch for wiper motor
7	OUT	Relay control output
8	VS	Supply voltage terminal 15

Circuit Description

Interval Function, Pin 2

By closing the interval switch, S_2 , to supply voltage, V_{Batt} , the relay is activated. The internal current source (pin 3) which holds the capacitor C_2 in a charged state is switched-off. As soon as there is a positive potential at the park switch (S_1), the current source F (see Figure 1 on page 1) charges the capacitor C_2 very quickly. After the wiper operation is finished, S_1 is again at ground potential, the relay is in the off position - interval pause begins - the capacitor C_2 is discharged through the current source C, till the voltage at pin 3 is below the threshold of 2 V. Interval pause can be adjusted between 4 s to 20 s with the help of potentiometer R_3 . Now the relay switches on and the next interval cycle begins. Opening of switch S_2 causes the current source A to discharge C_2 immediately and current sources C and F are switched-off.

Wipe/Wash (WIWA) Operation, Pin 5

By closing the WIWA switch, S_3 , to supply voltage, V_{Batt} , the water pump starts spraying water on the windshield. During this function, the current source A is switched-off which keeps the capacitor C_2 in a discharged state. Now the capacitor is charged through the current sources D and F. If (after a time interval of approximately 100 ms) the voltage at the capacitor is greater than 6.5 V, the relay is turned on as long as the switch WIWA is closed.

The after-wiping time begins when the switch is open, the sources D and F are switched off and the source E is activated. Source E discharges the capacitor until the voltage is less than 2.2 V. The relay is off and the wiper-motor is supplied via the park switch until the park position is reached. The after-wiping time is determined by the current source E which can be regulated with the external resistor R_{Time} . When the after-wiping time has elapsed, the source A discharges the capacitor. The relay switch is independent of the park switch S_1 .

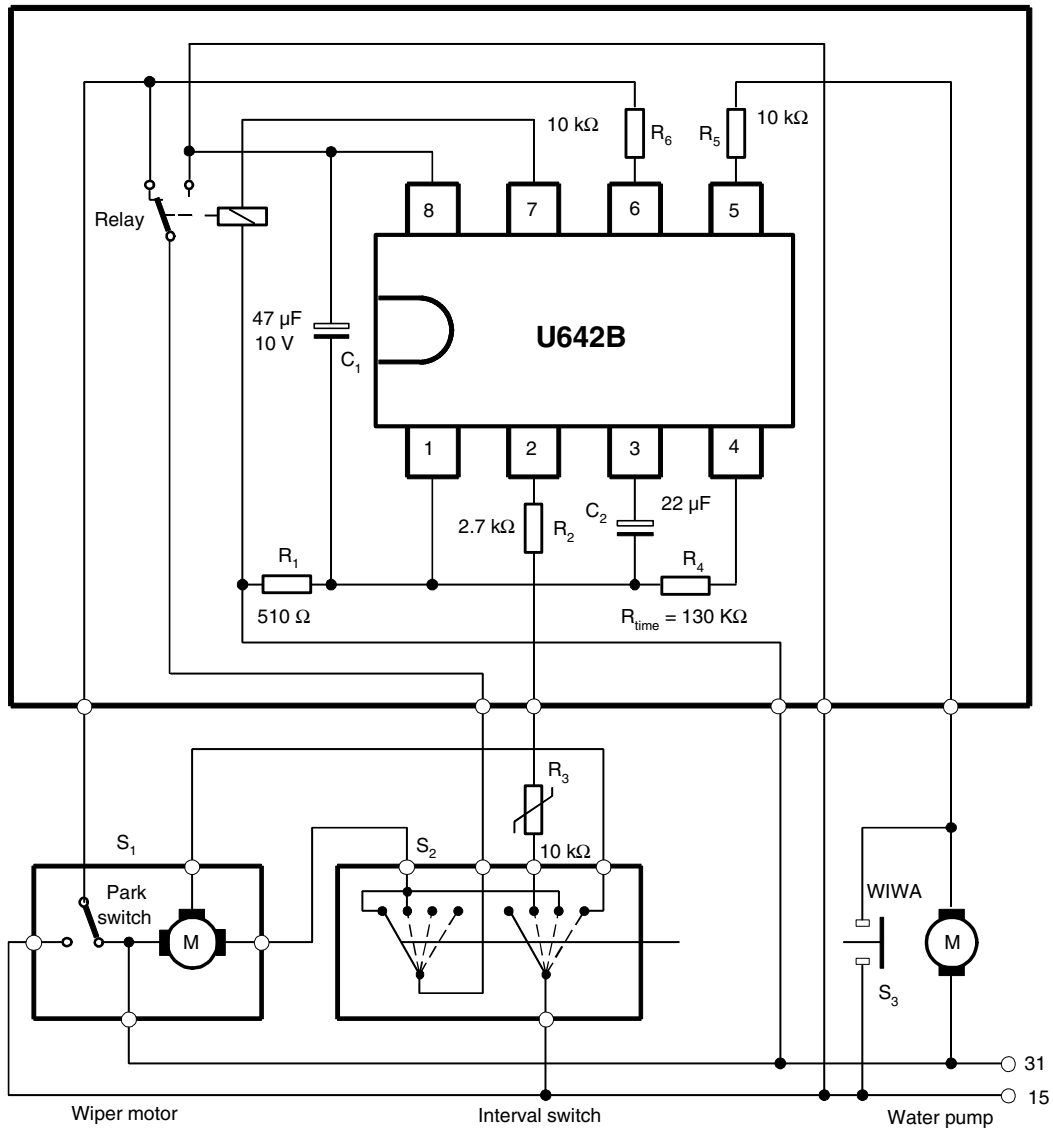
Interval and WIWA Functions

The interval function is interrupted immediately when the wipe/wash mode is activated. The current source A discharges the capacitor to a value of 2 V, afterwards, the normal wash function starts.

Interval wiping starts immediately when the after-wipe time is over. The switching delays are slightly shorter, because the capacitor is already charged to a value of 2 V.

The wipe/wash function is not interrupted when the interval switch S_2 is activated. The interval function begins after the WIWA function has elapsed.

Figure 3. Application Circuit with Interval and Wipe/Wash Operation



Absolute Maximum Ratings

Stresses beyond those listed under “Absolute Maximum Ratings” may cause permanent damage to the device. This is a stress rating only and functional operation of the device at these or any other conditions beyond those indicated in the operational sections of this specification is not implied. Exposure to absolute maximum rating conditions for extended periods may affect device reliability.

Parameters	Pin	Symbol	Value	Unit
Supply voltage t = 60 s, terminal 15	8	V_{Batt}	28	V
Supply current	8	I_8	1.5	A
t = 2 ms			150	mA
Relay control output current (DC)	7	I_7	200	mA
t = 200 ms			1.2	A
Pulse Current (Control Inputs) t = 200 ms				
Park switch, S_1	6	I_6	50	mA
Wipe/Wash switch, S_3	5	I_5	50	
Interval switch, S_2	2	I_2	50	
Power dissipation $T_{amb} = 90^\circ\text{C}$		P_{tot}	500	mW
Storage temperature range		T_{stg}	-55 to +125	$^\circ\text{C}$
Ambient temperature range		T_{amb}	-40 to +85	$^\circ\text{C}$

Thermal Resistance

Parameters		Symbol	Value	Unit
Junction ambient	DIP8	R_{thJA}	120	K/W
	SO8	R_{thJA}	160	K/W

Electrical Characteristics

$V_{Batt} = 12\text{ V}$, $T_{amb} = 25^{\circ}\text{C}$, reference point is pin 8 (see Figure 3 on page 4) unless otherwise specified.

Parameters	Test Conditions	Pin	Symbol	Min.	Typ.	Max.	Unit
Supply voltage		8	V_{Batt}	9		16.5	V
Supply current			I_8		10		mA
Z-diode limitation			V_1		7.6		V
Overvoltage							
Threshold current			I_1		-50		mA
Threshold voltage			V_{Batt}		35		V
Relay Control Output		7					
Saturation voltage	$I_7 = 100\text{ mA}$ $I_7 = 200\text{ mA}$		V_7			-1.0 -1.5	V
Leakage current			I_7		100		μA
Park Switch		6					
Internal pull-up resistance	$R_6 = 10\text{ k}\Omega$		R_6		50		$\text{k}\Omega$
Switching threshold voltage			V_6		-3.3		V
Protection diode	$I_6 = -10\text{ mA}$ $I_6 = 10\text{ mA}$		V_6		-0.8		V
			V_6		7.6		V
Input C_t		3					
Internal resistance			R_3		100		Ω
Interval Input		$R_2 = 2.7\text{ to }30\text{ k}\Omega$ 2					
Protection diode	$I_2 = -10\text{ mA}$ $I_2 = 30\text{ mA}/10\text{ ms}$		V_2		-0.8 7.6		V
WASH Input		$R_5 = 10\text{ k}\Omega$ 5					
Switching threshold/ Hysteresis			V_5		-1.4/ -5.4		V
Protection diode	$I_5 = -10\text{ mA}$ $I_5 = 10\text{ mA}$		V		-0.8 7.6		V
Switching Characteristics		$R_4 = 47\text{ k}\Omega\text{ to }300\text{ k}\Omega$, $I_4 = -150\text{ }\mu\text{A}$					
Interval time	$R_3 = 0\text{ k}\Omega$ $R_3 = 10\text{ k}\Omega$		t_2	3.6 10.8	4 12	4.4 13.2	s
Prewash delay			t_{del}		100		ms
After-wipe-time	$R_4 = 130\text{ k}\Omega$	5	t_5	4.75	5.25	5.75	s

Diagrams

Figure 4. Interval Pause = f (T); $C_t = 22 \mu\text{F}$

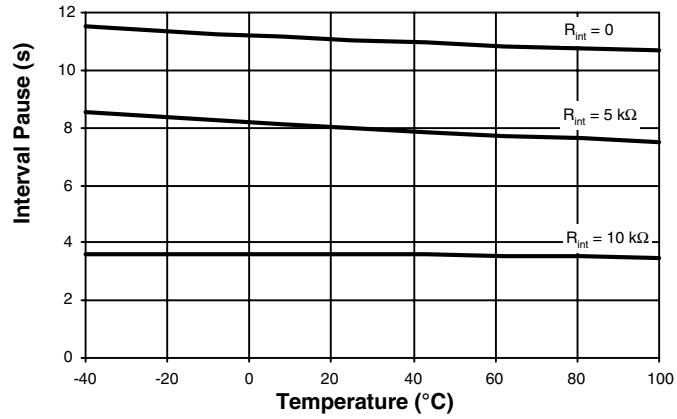


Figure 5. After-wiping Time = f (T); $C_t = 22 \mu\text{F}$; $V_{Batt} = 8 \text{ V}$

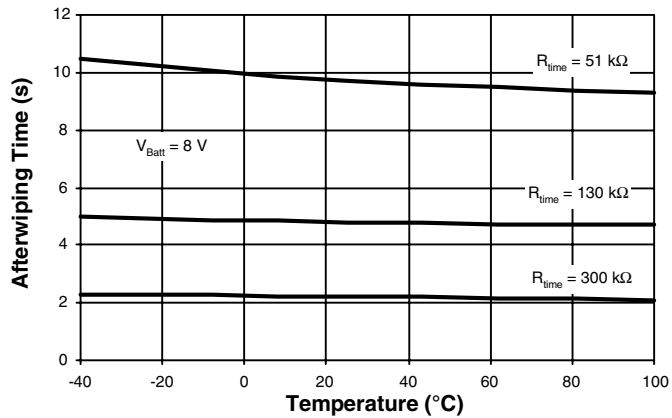


Figure 6. Interval Pause = f (R_{INT}); $C_t = 22 \mu\text{F}$

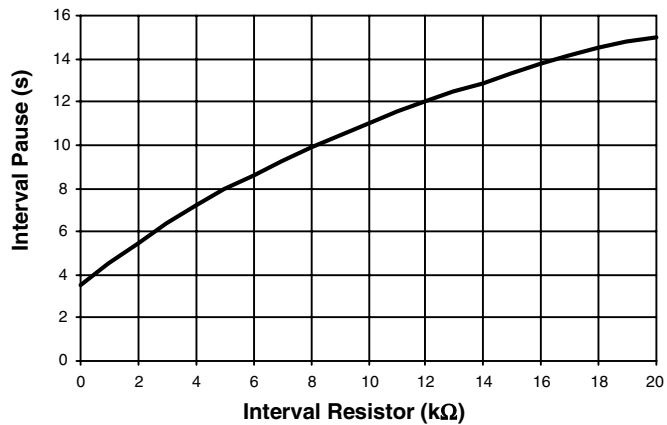
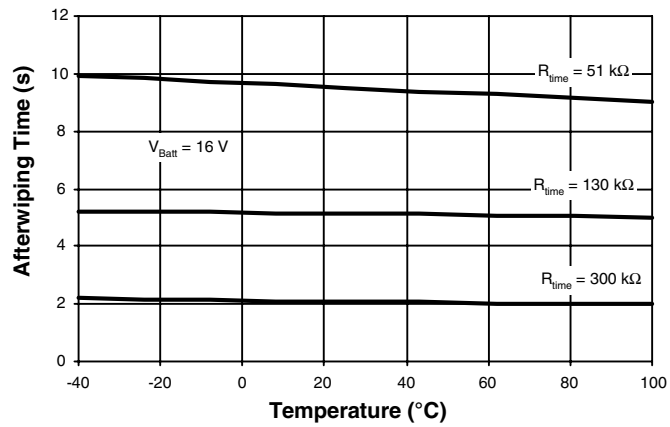


Figure 7. After-wiping Time = f (T); $C_t = 22 \mu\text{F}$; $V_{\text{Batt}} = 16 \text{ V}$



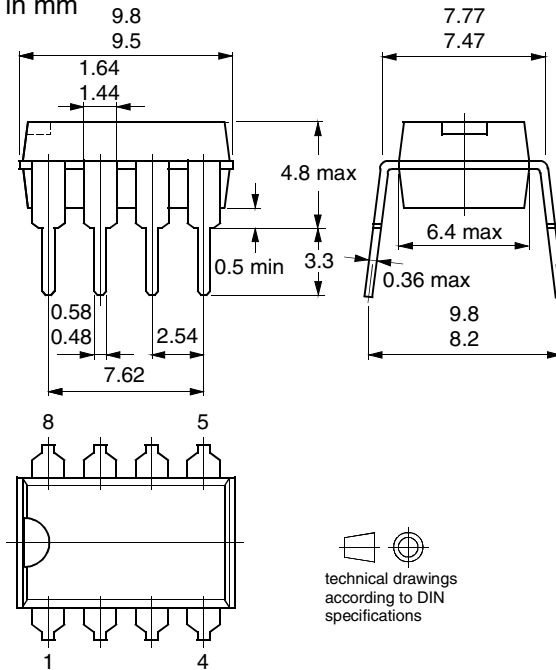
Ordering Information

Extended Type Number	Package	Remarks
U642B	DIP8	–
U642B-FP	SO8	–

Package Information

Package DIP8

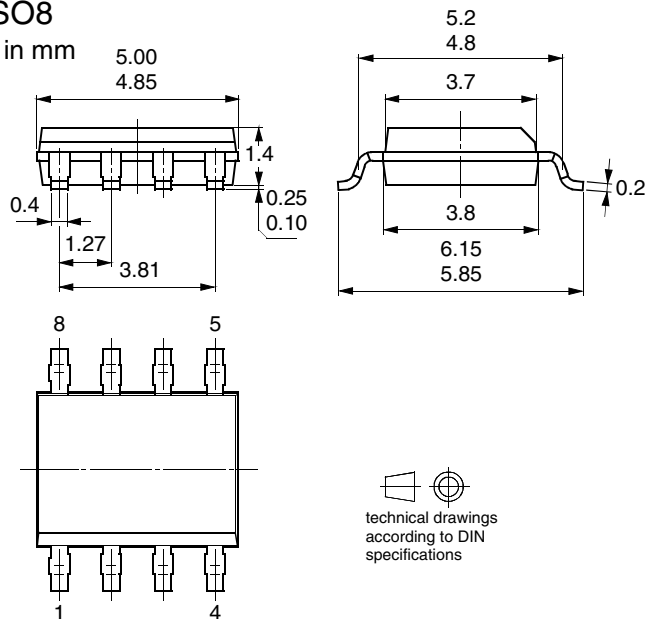
Dimensions in mm



technical drawings according to DIN specifications

Package SO8

Dimensions in mm



technical drawings according to DIN specifications



Atmel Corporation

2325 Orchard Parkway
San Jose, CA 95131, USA
Tel: 1(408) 441-0311
Fax: 1(408) 487-2600

Regional Headquarters

Europe

Atmel Sarl
Route des Arsenaux 41
Case Postale 80
CH-1705 Fribourg
Switzerland
Tel: (41) 26-426-5555
Fax: (41) 26-426-5500

Asia

Room 1219
Chinachem Golden Plaza
77 Mody Road Tsimshatsui
East Kowloon
Hong Kong
Tel: (852) 2721-9778
Fax: (852) 2722-1369

Japan

9F, Tonetsu Shinkawa Bldg.
1-24-8 Shinkawa
Chuo-ku, Tokyo 104-0033
Japan
Tel: (81) 3-3523-3551
Fax: (81) 3-3523-7581

Atmel Operations

Memory

2325 Orchard Parkway
San Jose, CA 95131, USA
Tel: 1(408) 441-0311
Fax: 1(408) 436-4314

Microcontrollers

2325 Orchard Parkway
San Jose, CA 95131, USA
Tel: 1(408) 441-0311
Fax: 1(408) 436-4314

La Chantrerie
BP 70602
44306 Nantes Cedex 3, France
Tel: (33) 2-40-18-18-18
Fax: (33) 2-40-18-19-60

ASIC/ASSP/Smart Cards

Zone Industrielle
13106 Rousset Cedex, France
Tel: (33) 4-42-53-60-00
Fax: (33) 4-42-53-60-01

1150 East Cheyenne Mtn. Blvd.
Colorado Springs, CO 80906, USA
Tel: 1(719) 576-3300
Fax: 1(719) 540-1759

Scottish Enterprise Technology Park
Maxwell Building
East Kilbride G75 0QR, Scotland
Tel: (44) 1355-803-000
Fax: (44) 1355-242-743

RF/Automotive

Theresienstrasse 2
Postfach 3535
74025 Heilbronn, Germany
Tel: (49) 71-31-67-0
Fax: (49) 71-31-67-2340

1150 East Cheyenne Mtn. Blvd.
Colorado Springs, CO 80906, USA
Tel: 1(719) 576-3300
Fax: 1(719) 540-1759

Biometrics/Imaging/Hi-Rel MPU/ High Speed Converters/RF Datacom

Avenue de Rochepleine
BP 123
38521 Saint-Egreve Cedex, France
Tel: (33) 4-76-58-30-00
Fax: (33) 4-76-58-34-80

Literature Requests

www.atmel.com/literature

Disclaimer: Atmel Corporation makes no warranty for the use of its products, other than those expressly contained in the Company's standard warranty which is detailed in Atmel's Terms and Conditions located on the Company's web site. The Company assumes no responsibility for any errors which may appear in this document, reserves the right to change devices or specifications detailed herein at any time without notice, and does not make any commitment to update the information contained herein. No licenses to patents or other intellectual property of Atmel are granted by the Company in connection with the sale of Atmel products, expressly or by implication. Atmel's products are not authorized for use as critical components in life support devices or systems.

© Atmel Corporation 2003. All rights reserved.

Atmel® and combinations thereof are the registered trademarks of Atmel Corporation or its subsidiaries.

Other terms and product names may be the trademarks of others.





Printed on recycled paper.

4774A-AUTO-11/03

Looking for pricing, stock, or lifecycle information?

Click below to explore more details on WIN SOURCE:

-  [View U642B-M on WIN SOURCE](#)
-  [Microchip Technology](#) Information

Optimize Your Supply Chain with WIN SOURCE Solutions

-  Global Sourcing Solution
-  Obsolete Management
-  Cost Control Management
-  Shortage Management
-  Alternative Solution
-  Excess Inventory Management