

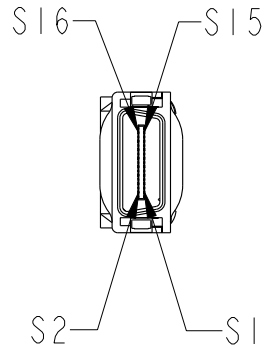


**THE DATASHEET OF  
10007290-P0200CULF**



PRODUCT NUMBER  
SEE NOTE 3  
10007290-XXXXXCXLF

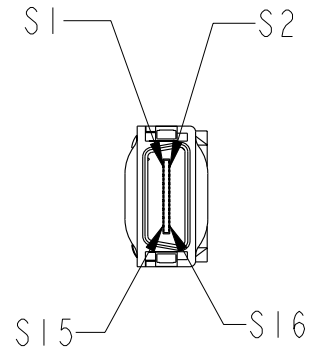
"L2"  
OVERALL LENGTH  
(NOTES 2 AND 3)



P1  
4X EYEMAX  
NOTE 11

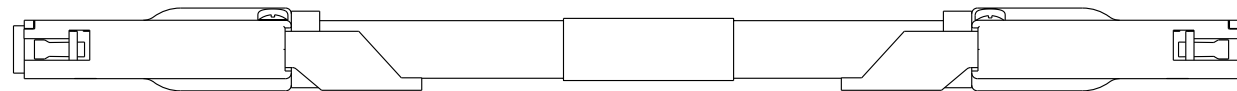
CABLE  
NOTE 3

LABEL  
NOTE 5



P2  
4X EYEMAX  
NOTE 11

NOTE 4



Copyright FCI.

|                    |           |            |  |               |                    |              |
|--------------------|-----------|------------|--|---------------|--------------------|--------------|
| www.fciconnect.com |           |            | surface - <input checked="" type="checkbox"/>                  | tolerance std | projection         | MM           |
|                    |           |            | TOLERANCES UNLESS OTHERWISE SPECIFIED                          |               |                    |              |
| Dr                 | D. INGRAM | 2007-01-04 | ANGULAR  | LINEAR        | size               | A4           |
| Eng                | C. GROSS  | 2007-01-04 | 0° ±°  |               | ±0.10              | Scale 1:2    |
| Chr                | C. GROSS  | 2007-01-04 | Product family   |               | ECN                | V06-1193     |
| Appr               | C. GROSS  | 2007-01-04 | C&A  |               | Spec ref           |              |
|                    |           |            | title<br>4X EYEMAX LATCH-STYLE<br>CABLE ASSEMBLY (INFINIBAND™) |               | dwg no<br>10007290 | Rev.<br>H    |
|                    |           |            | catalog no   | -             | CUSTOMER           | sheet 1 of 3 |

| rev | ecn no   | dr  | date       |
|-----|----------|-----|------------|
| H   | V06-1193 | DAI | 2007-01-04 |
|     |          |     |            |
|     |          |     |            |
|     |          |     |            |
|     |          |     |            |

PRODUCT NUMBER  
SEE NOTE 3  
10007290-XXXXXCXLF

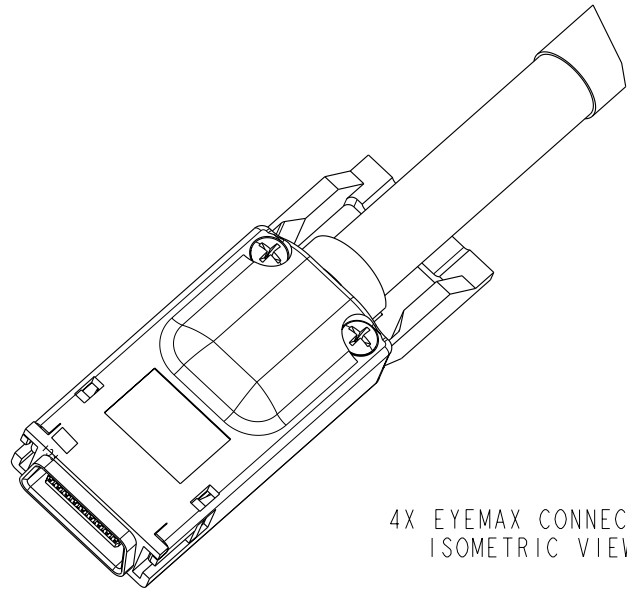
## PIN OUT/WIRING LIST SEE NOTE 6

A

B

C

D



4X EYEMAX CONNECTOR  
ISOMETRIC VIEW

| P1         |           | P2         |           |
|------------|-----------|------------|-----------|
| PIN NUMBER | WIRE ID   | PIN NUMBER | WIRE ID   |
| G1-G9      | GROUND    | G1-G9      | GROUND    |
| S1         | IBtxlp(0) | S16        | IBtxOp(0) |
| S2         | IBtxln(0) | S15        | IBtxOn(0) |
| S3         | IBtxlp(1) | S14        | IBtxOp(1) |
| S4         | IBtxln(1) | S13        | IBtxOn(1) |
| S5         | IBtxlp(2) | S12        | IBtxOp(2) |
| S6         | IBtxln(2) | S11        | IBtxOn(2) |
| S7         | IBtxlp(3) | S10        | IBtxOp(3) |
| S8         | IBtxln(3) | S9         | IBtxOn(3) |
| S9         | IBtxOn(3) | S8         | IBtxln(3) |
| S10        | IBtxOp(3) | S7         | IBtxlp(3) |
| S11        | IBtxOn(2) | S6         | IBtxln(2) |
| S12        | IBtxOp(2) | S5         | IBtxlp(2) |
| S13        | IBtxOn(1) | S4         | IBtxln(1) |
| S14        | IBtxOp(1) | S3         | IBtxlp(1) |
| S15        | IBtxOn(0) | S2         | IBtxln(0) |
| S16        | IBtxOp(0) | S1         | IBtxlp(0) |

A

B

C

D



Copyright FCI.

|  |  |                    |              |
|--|--|--------------------|--------------|
|  | TITLE<br>4X EYEMAX LATCH-STYLE<br>CABLE ASSEMBLY (INFINIBAND™) | DWG NO<br>10007290 | REV.<br>H    |
|  | CATALOG NO<br>-  | CUSTOMER           | SHEET 2 OF 3 |

PRODUCT NUMBER  
SEE NOTE 3  
10007290-XXXXXCXLF

NOTES:

- 1. MATING RECEPTACLE DRAWINGS FCI 58368 OR 58369.
- 2. UNLESS OTHERWISE SPECIFIED ASSEMBLED LENGTH TOLERANCE =
  - < 1 METER = +/- 15.0mm
  - > 1 METER TO 10 METER = +/- 2% OF L2
  - > 10 METER = +0.00% / -4% OF L2

- 3. PART NUMBER DESCRIPTION: PENDING  
10007290-X XX XX C X LF

SIGNAL WIRE  
GAGE (AWG)  
M: 24 AWG  
N: 26 AWG  
P: 28 AWG  
R: 30 AWG

LEAD FREE (SEE NOTE 10)  
E: EQUALIZED  
U: UN-EQUALIZED  
HARDWARE TYPE  
C: PULL TAB

OVERALL LENGTH OF CABLE  
XXXX = XX METERS, XX CENTIMETERS  
EXAMPLES OF XXXX:  
0046 = 0 METERS 46 CENTIMETERS  
0850 = 8 METERS 50 CENTIMETERS

EXAMPLE: 10007290- M0850CULF = 24 AWG, 8.50 METER, PULL TAB, UNEQUALIZED, LEAD FREE

- 4. UNLESS OTHERWISE SPECIFIED LABEL POSITION SHALL BE APPROXIMATELY 50mm FROM REAR OF CONNECTOR.
- 5. LABEL DETAILS:
  - MANUFACTURER CODE OR NAME
  - CUSTOMER P/N OR FCI P/N
  - REVISION
  - DATE CODE WW/YY FORMAT
  - COUNTRY ORIGIN

FONT SHALL BE CLEARLY VISIBLE AND BLACK IN COLOR.

- 6. ALL CABLE ASSEMBLIES SHALL BE TESTED 100% FOR CONTINUITY AS DEFINED IN WIRING LIST.
- 7. UNLESS OTHERWISE SPECIFIED ALL CABLE ASSEMBLIES SHALL BE 100% HI-POT TESTED BY APPLYING 300V FOR MINIMUM OF 10ms, UNLESS ACTIVE COMPONENTS ARE USED IN THIS ASSEMBLY.
- 8. OTHER TESTING PERFORMED AS REQUIRED BY PRODUCT SPECIFICATION:GS-12-216. S-12-216 AND CONNECTOR PRODUCT SPECIFICATION GS-12-209.
- 9. CABLE ASSEMBLIES SHALL WITHSTAND AN AXIAL LOAD OF 171bs/75N AT A RATE OF 25.4mm PER MINUTE, DURATION OF 1 (ONE) HOUR, WITHOUT DAMAGE TO CABLE OR CONNECTOR. CABLE PRODUCT SPECIFICATION: GS-12-216 CONNECTOR PRODUCT SPECIFICATION: GS-12-209

- 10. LEAD FREE PRODUCTS MEET EUROPEAN UNION DIRECTIVES AND OTHER COUNTRY REGULATIONS AS DESCRIBED IN GS-22-008.

LEAD FREE SOLDER TAIL PLATING 2um (80u") MIN. MATTE TIN OVER 1.27um (50u") MIN. NICKEL UNDERPLATE.

PACKAGING OF LEAD FREE PRODUCTS MEETS LABELING AND PACKAGING SPECIFICATION GS-14-920.

- 11. CONNECTOR ASSEMBLIES SHOWN ARE FOR REFERENCE ONLY AND MAY NOT SHOW ALL PART DETAIL. REFERENCE CONNECTOR ASSEMBLY DRAWINGS FOR COMPLETE DETAILS.

- 12. GLOBAL STANDARDS FOR CABLE PACKAGING: GS-14-1093.

- 13. MATERIALS:
  - CABLE: FULLY SHIELDED, 8 DIFFERENTIAL PAIRS
  - COVERS: ZINC ALLOY WITH NICKEL OVERPLATE
  - CABLE COLLARS AND PULL TABS: PLASTIC
  - PLUG ASSEMBLIES: THERMOPLASTIC AND COPPER ALLOY
  - LATCH: STAINLESS STEEL
  - PCB BOARD: FR4 FIBERGLASS

|   |  |                    |              |
|---|--|--------------------|--------------|
|  | title<br>4X EYEMAX LATCH-STYLE<br>CABLE ASSEMBLY (INFINIBAND™) | dwg no<br>10007290 | Rev.<br>H    |
|   | catalog no<br>-  | CUSTOMER           | sheet 3 of 3 |



Copyright FCI.

## Looking for pricing, stock, or lifecycle information?

Click below to explore more details on WIN SOURCE:

 [View 10007290-P0200CULF on WIN SOURCE](#)

 [Amphenol FCI Information](#)

## Optimize Your Supply Chain with WIN SOURCE Solutions

-  Global Sourcing Solution
-  Obsolete Management
-  Cost Control Management
-  Shortage Management
-  Alternative Solution
-  Excess Inventory Management