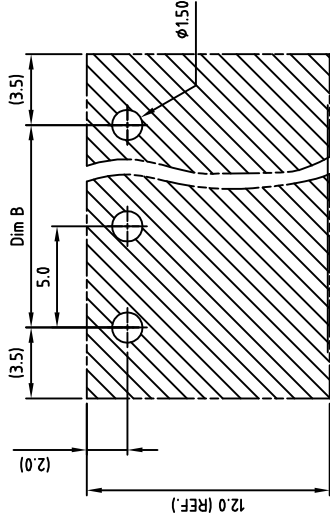
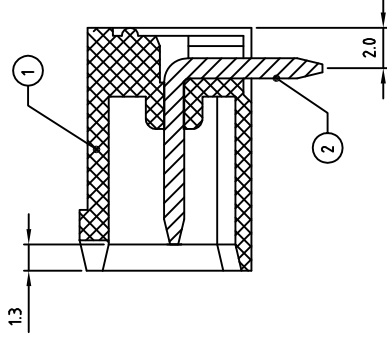
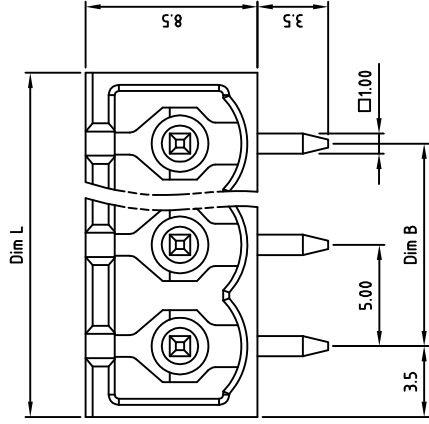
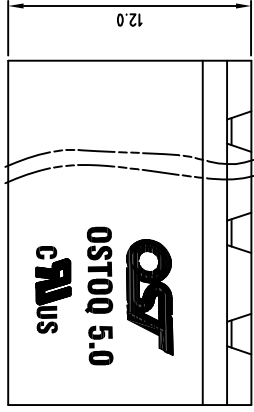




**THE DATASHEET OF
OSTOQ207151**



Transfer or duplication of this document as well as the utilisation or communication of its content are not permitted unless express consent is granted. Violations give rise to claims for damages. All rights reserved in case of patent, utility model or design patent registrations.



RECOMMENDED PCB LAYOUT

	SIGN		DATE
	DESCRIPTION		CHK.

2	PIN	BRASS	
1	BODY	PA66 UL94V-0	
ITEM	NAME OF PART	MA	
DWG.	Marvin Zhang	DATE	2016.05.21
CHK.	Marvin Zhang	DATE	2016.05.21
APP.		DATE	



ON-SHORE TECHNOLOGY, INC.


- Technical data
- Nominal voltage: 5.0V
 - Insulation Withstand Voltage: AC 1600V/MIN
 - Insulation Resistance: 1000MΩ or more
 - Operating temperature range: -30 to 90°C
 - Soldering temperature: 260°C
 - Safety approval: CE, RoHS
 - RoHS Compliance: Yes
 - Undimensioned: Yes

Dim.L=Px5.0+2
 Dim.B=(P-1)x5
 P= number of pins
 0-30mm over 30mm-60mm over 60mm-90mm over 90mm

Part No.: OST

Looking for pricing, stock, or lifecycle information?

Click below to explore more details on WIN SOURCE:

 [View OSTOQ207151](#) on WIN SOURCE

 [On Shore Technology Inc.](#) Information

Optimize Your Supply Chain with WIN SOURCE Solutions

-  Global Sourcing Solution
-  Obsolete Management
-  Cost Control Management
-  Shortage Management
-  Alternative Solution
-  Excess Inventory Management