



**THE DATASHEET OF  
IDSS-14-D-22.00-R**



# OPTIONS

**-T**  
PLATING

-T: TIN BOTH ENDS  
-USE C-10-T

**-G**  
GRAY CABLE

SUBSTITUTE GRAY CABLE FOR STANDARD COLOR CODED CABLE.

USE:  
 IDSD: CB-XX-28-7/36-050-G  
 IDSS: CB-XX-28-7/36-100-G  
 (SEE FIG. 1)

NOTE: USE GRAY CABLE FOR DOUBLE ROW -31 THRU -36 POSITION.

**-ST"X"**  
STRIPPED & TINNED

	"L"	
ST8	1/8	[3.18]
ST4	1/4	[6.35]
ST3	3/8	[9.53]
ST2	1/2	[12.70]

NOTES:  
 1. CONDUCTORS SHALL BE CONSISTENT IN APPEARANCE. SOLDER MUST MAINTAIN CABLE STRAINS WITHIN THE MAX DIA. TOLERANCE.  
 2. USE 60/40 TIN/LEAD SOLDER ONLY.  
 3. NOT AVAILABLE IN 28 POSITION AND UP IN DOUBLE ROW ONLY.

SEE NOTE 1.

**-WXX**  
WIRING REVERSED

SAME AS -SXX EXCEPT OUTER STRIP CONNECTED TO CONDUCTOR #2 AND INSIDE STRIP CONNECTED TO CONDUCTOR #1

**-BXX**  
BREAKOUT

IDSD: SINGLE  
IDSD: DOUBLE

IDSD-XX-D-XX-BXX  
 XX INDICATES NO. OF CONDUCTORS  
 IDSD-XX-S-XX-BXX  
 XX INDICATES NO. OF CONDUCTORS  
 IDSS-XX-D-XX-BXX:  
 XX INDICATES NO. OF POSITIONS  
 IDSS-XX-S-XX-BXX:  
 XX INDICATES NO. OF POSITIONS

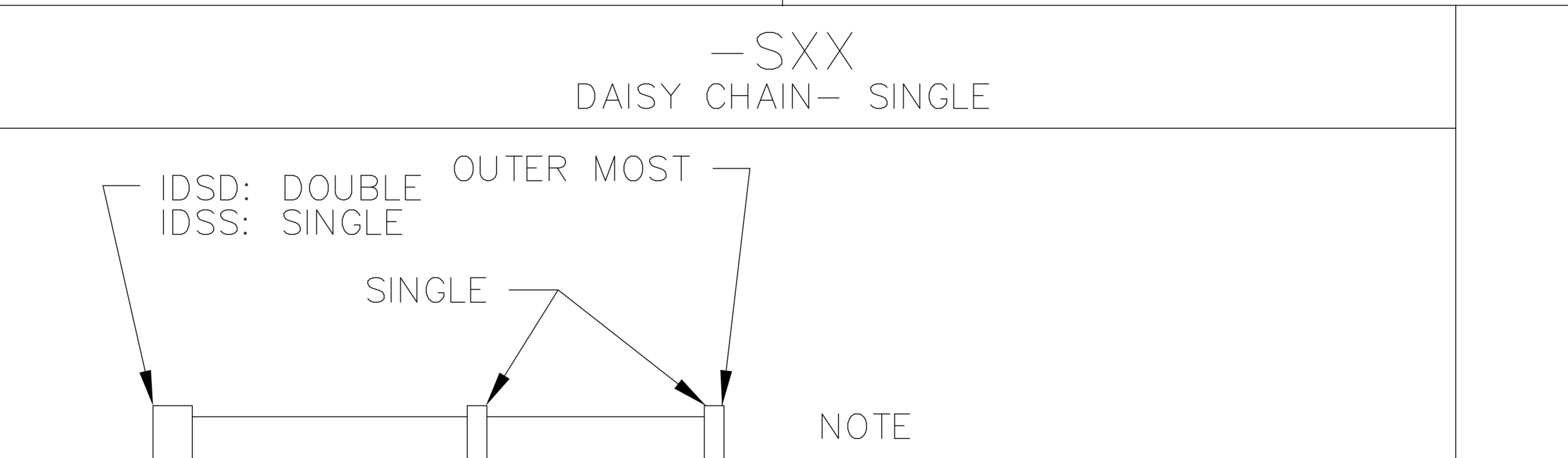
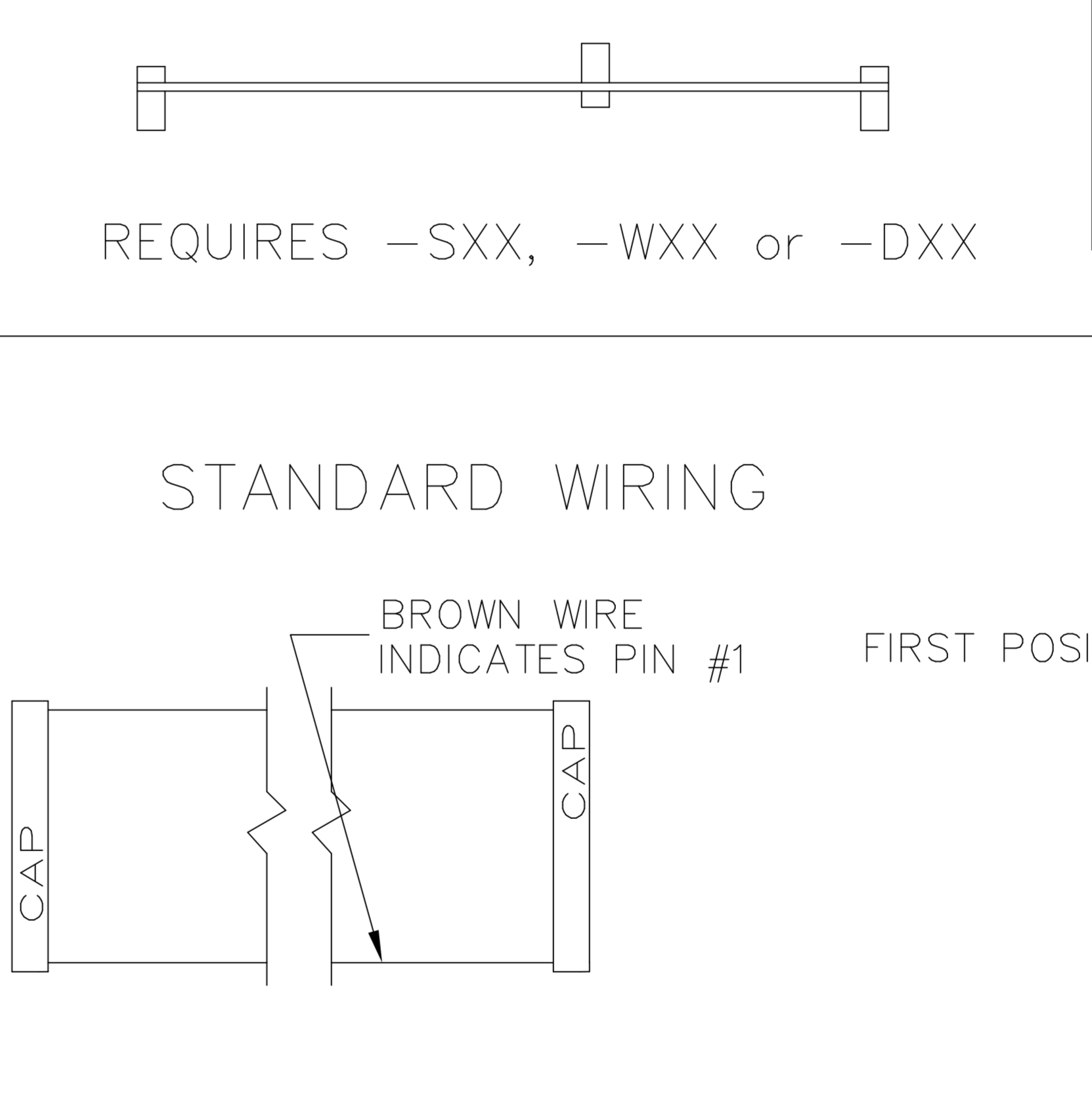
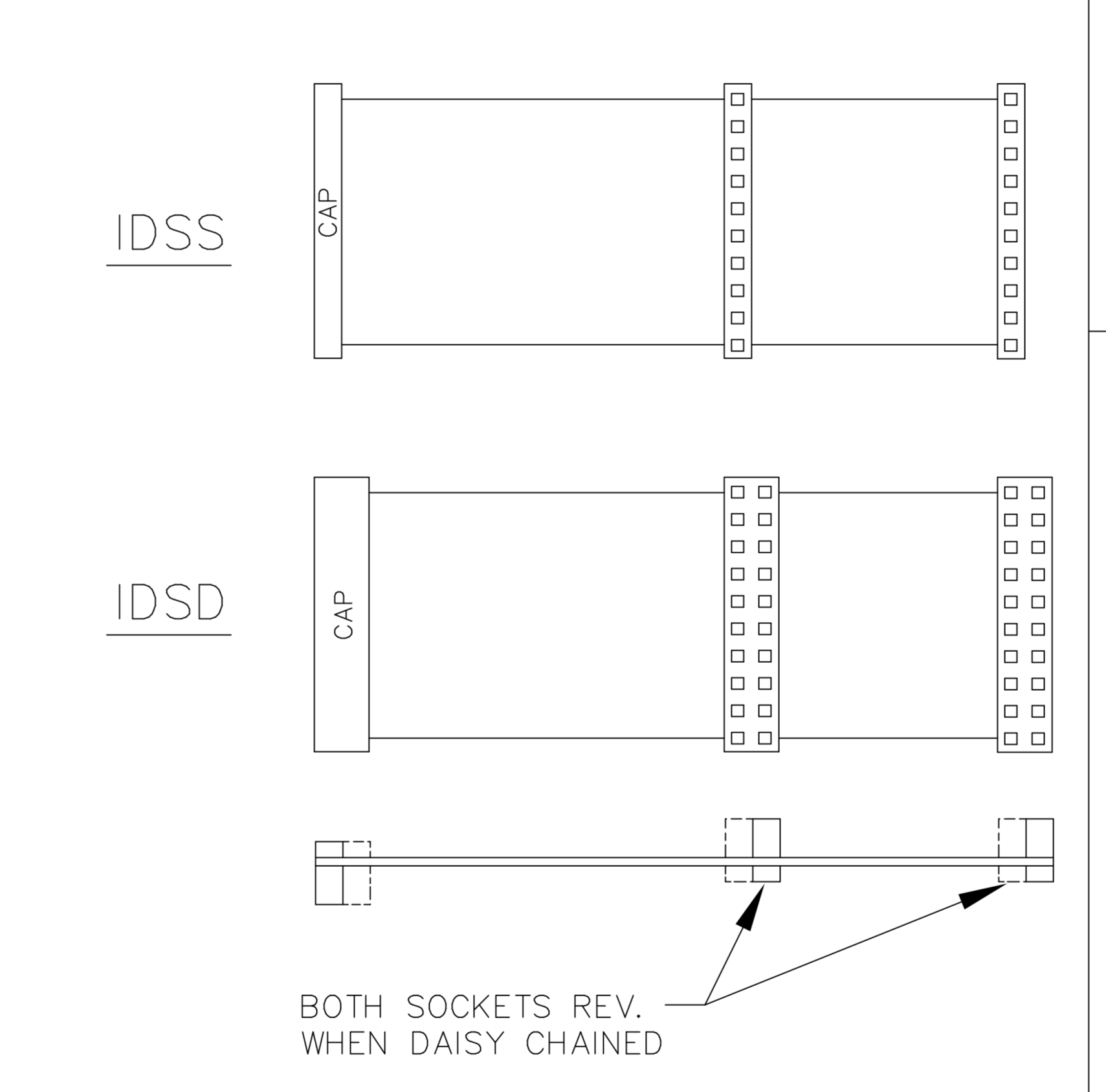
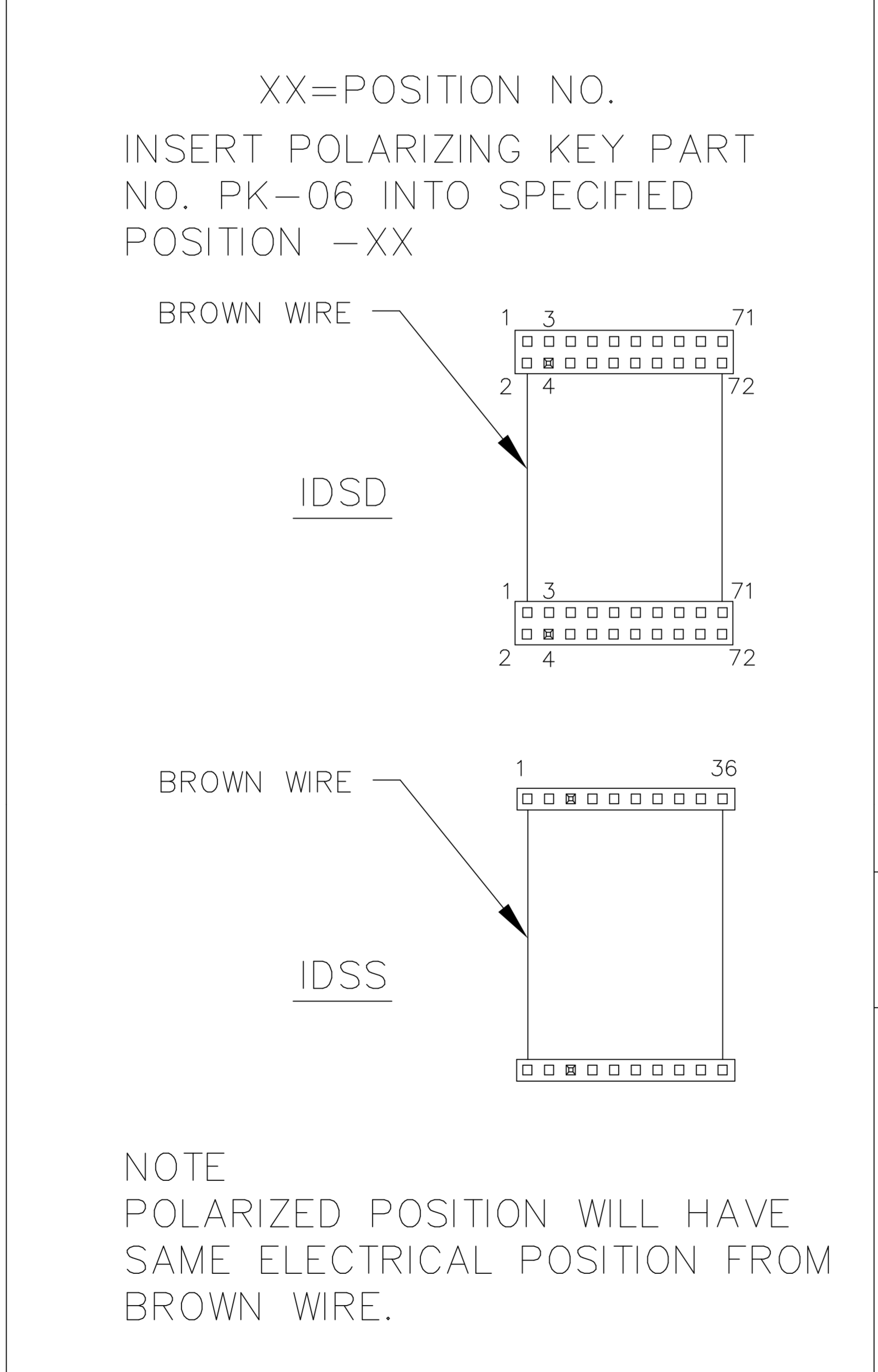
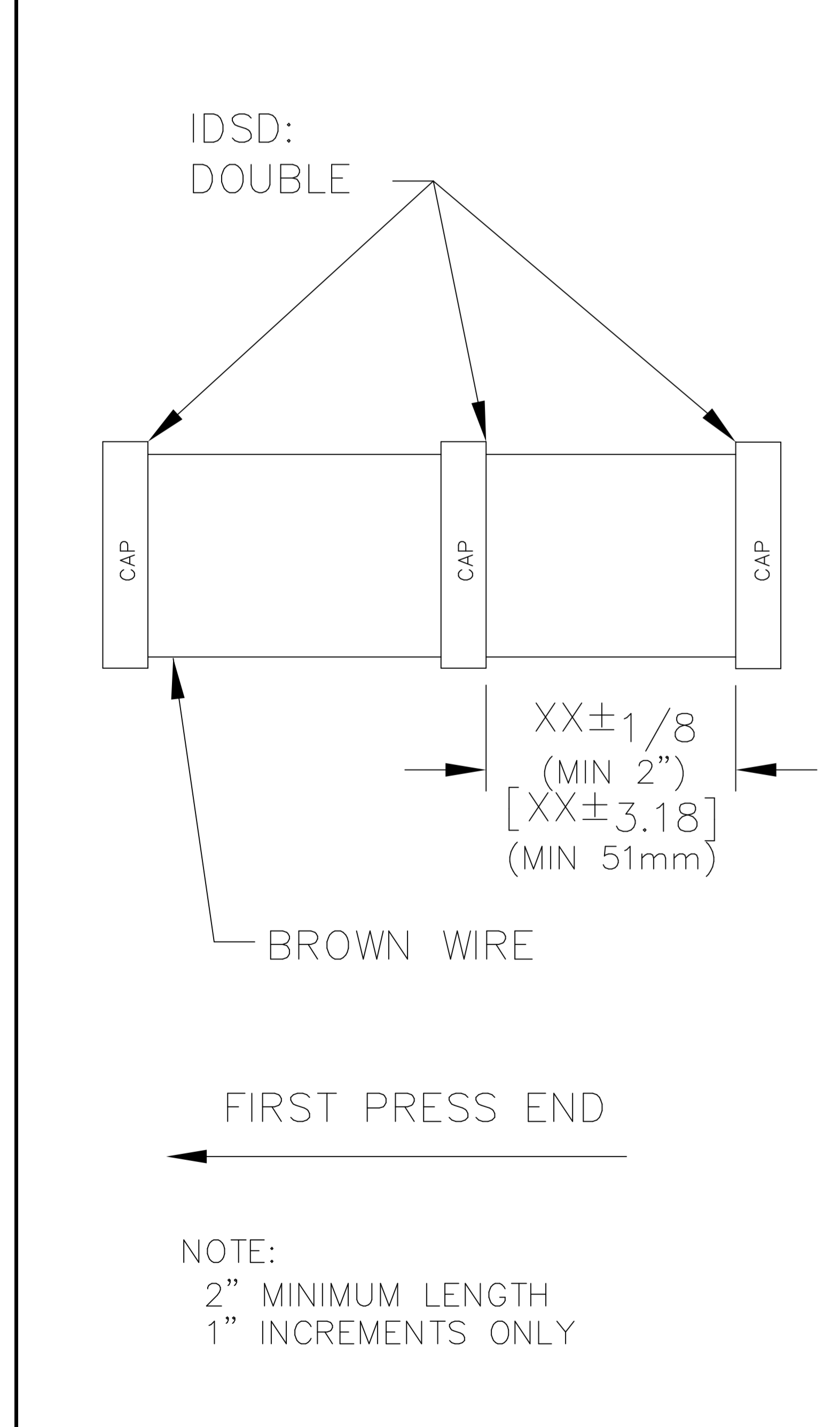
**-DXX** IDSS N/A  
DAISY CHAIN- DOUBLE

**-PXX**  
POLARIZED MATING

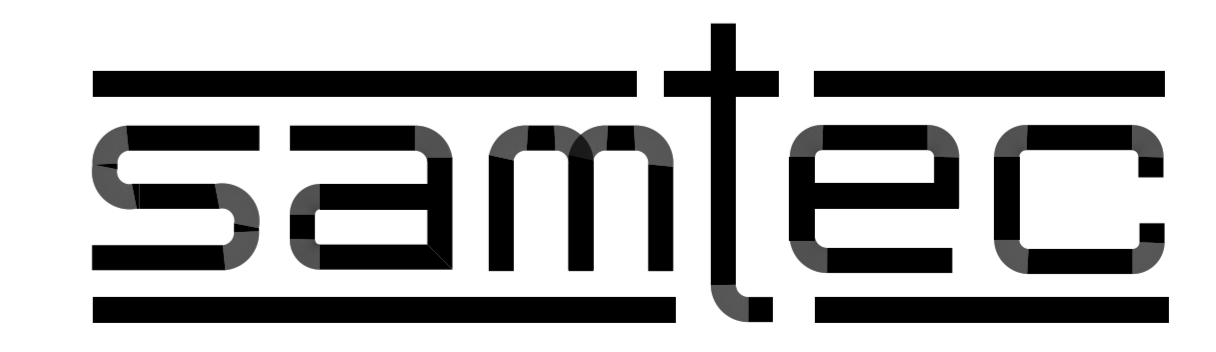
**-R**  
REVERSED CONNECTOR  
NOT AVAILABLE WITH -M & -O

**-M**  
MIDDLE REVERSED  
NOT AVAILABLE WITH -R & -O

**-O**  
OUTSIDE REVERSED  
NOT AVAILABLE WITH -R & -M





**PROPRIETARY NOTE**  
 THIS DOCUMENT CONTAINS INFORMATION CONFIDENTIAL AND PROPRIETARY TO SAMTEC INC. AND SHALL NOT BE REPRODUCED OR TRANSFERRED TO OTHER DOCUMENTS OR DISCLOSED TO OTHERS OR USED FOR ANY PURPOSE OTHER THAN THAT FOR WHICH IT WAS OBTAINED WITHOUT THE EXPRESSED WRITTEN CONSENT OF SAMTEC INC.



520 PARK EAST BLVD. NEW ALBANY, INDIANA 47150  
 PHONE (812) 944-6733 P.O. BOX 1147  
 CODE 55322

## Looking for pricing, stock, or lifecycle information?

Click below to explore more details on WIN SOURCE:

-  [View IDSS-14-D-22.00-R on WIN SOURCE](#)
-  [Samtec Inc. Information](#)

## Optimize Your Supply Chain with WIN SOURCE Solutions

-  Global Sourcing Solution
-  Obsolete Management
-  Cost Control Management
-  Shortage Management
-  Alternative Solution
-  Excess Inventory Management