



**THE DATASHEET OF  
PVT322APBF**



### Microelectronic Power IC

HEXFET<sup>®</sup> Power MOSFET Photovoltaic Relay  
Dual Pole, Normally Open, 0-250V, 170mA AC/DC

## General Description

The PVT322A Series Photovoltaic Relay is a dual-pole, normally open solid-state relay that can replace electromechanical relays in many applications. It utilizes International Rectifier's HEXFET power MOSFET as the output switch, driven by an integrated circuit photovoltaic generator of novel construction. The output switch is controlled by radiation from a GaAlAs light emitting diode (LED) which is optically isolated from the photovoltaic generator.

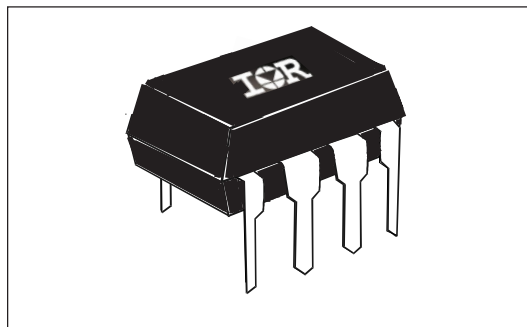
Series PVT322A Relays are packaged in an 8-pin, molded DIP package with either thru-hole or surface mount (gull-wing) terminals. It is available in standard plastic shipping tubes or on tape-and-reel. Please refer to Part Identification information opposite.

## Applications

- On/Off Hook switch
- Tip and Ring Line switching
- General switching

## Features

- HEXFET Power MOSFET output
- Bounce-free operation
- 4,000 V<sub>RMS</sub> I/O isolation
- Linear AC/DC operation
- Solid-State Reliability
- UL Recognized



## Part Identification

|               |                                 |
|---------------|---------------------------------|
| PVT322APbF    | thru-hole                       |
| PVT322ASPbF   | Surface-mount                   |
| PVT322AS-TPbF | Surface-mount,<br>Tape and Reel |

*(HEXFET is the registered trademark for International Rectifier Power MOSFETs)*

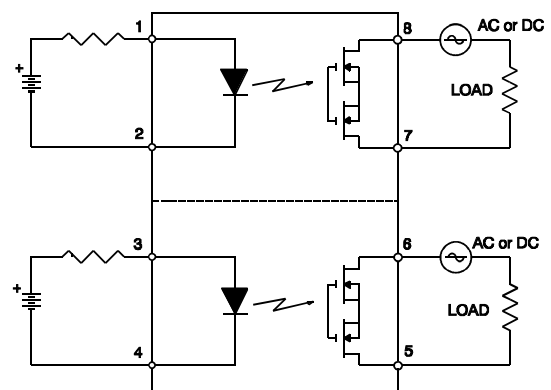
**Electrical Specifications** ( $-40^{\circ}\text{C} \leq T_A \leq +85^{\circ}\text{C}$  unless otherwise specified)

| INPUT CHARACTERISTICS  | Limits    | Units |
|--|-----------|-------|
| Minimum Control Current (See figure 1)                                       | 2.0       | mA    |
| Maximum Control Current for Off-State Resistance @ $T_A=+25^{\circ}\text{C}$ | 0.4       | mA    |
| Control Current Range (Caution: current limit input LED, see figure 5)       | 2.0 to 25 | mA    |
| Maximum Reverse Voltage  | 6.0       | V     |

| OUTPUT CHARACTERISTICS   | Limits         | Units                                  |
|--|----------------|--|
| Operating Voltage Range  | 0 to $\pm 250$ | $V_{(DC \text{ or } AC \text{ peak})}$ |
| Maximum Load Current @ $T_A=+40^{\circ}\text{C}$<br>5mA Control (See figure 1) (single and dual channel operation) | 170            | mA                                     |
| Maximum Peak Load Current (10ms maximum duration)<br>(single and dual channel operation)                           | 500            | mA                                     |
| Maximum On-State Resistance @ $T_A=+25^{\circ}\text{C}$<br>For 50mA Pulsed load, 5mA Control (see figure 3)        | 8              | $\Omega$                               |
| Maximum Off-State Leakage @ $T_A=+25^{\circ}\text{C}$ , $\pm 250\text{V}$ (see figure 4)                           | 1.0            | $\mu\text{A}$                          |
| Maximum Turn-On Time @ $T_A=+25^{\circ}\text{C}$ (see figure 6)<br>For 50mA, 100 $V_{DC}$ load, 5mA Control        | 3.0            | ms                                     |
| Maximum Turn-Off Time @ $T_A=+25^{\circ}\text{C}$ (see figure 6)<br>For 50mA, 100 $V_{DC}$ load, 5mA Control       | 0.5            | ms                                     |
| Maximum Output Capacitance @ 50V <sub>DC</sub>   | 50             | pF                                     |

| GENERAL CHARACTERISTICS  | Limits    | Units              |             |
|--|-----------|--------------------|-------------|
| Minimum Dielectric Strength, Input-Output  | 4000      | $V_{RMS}$          |             |
| Minimum Dielectric Strength, Pole-to-Pole  | 1000      | $V_{DC}$           |             |
| Minimum Insulation Resistance, Input-Output, @ $T_A=+25^{\circ}\text{C}$ , 50%RH, 100V <sub>DC</sub> | $10^{12}$ | $\Omega$           |             |
| Maximum Capacitance, Input-Output  | 1.0       | pF                 |             |
| Maximum Pin Soldering Temperature (10 seconds maximum)   | +260      | $^{\circ}\text{C}$ |             |
| Ambient Temperature Range:   | Operating |                    | -40 to +85  |
|  | Storage   |                    | -40 to +100 |

International Rectifier does not recommend the use of this product in aerospace, avionics, military or life support applications. Users of this International Rectifier product in such applications assume all risks of such use and indemnify International Rectifier against all damages resulting from such use.

**Connection Diagram**


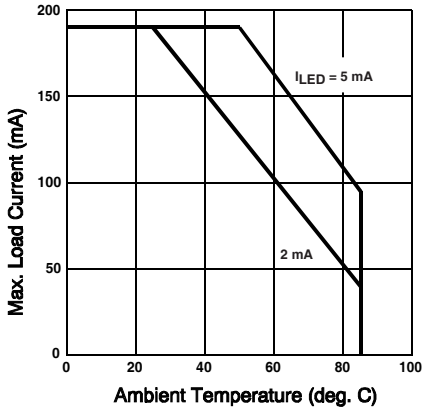


Figure 1. Typical Current Derating Curve

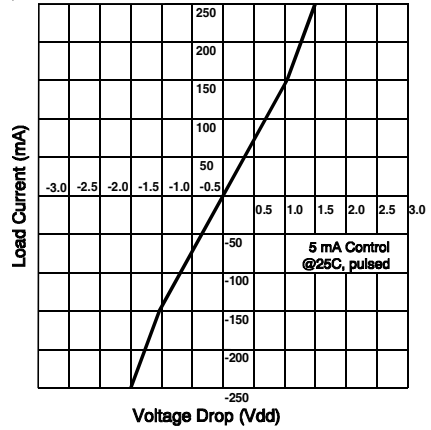


Figure 2. Linearity Characteristics

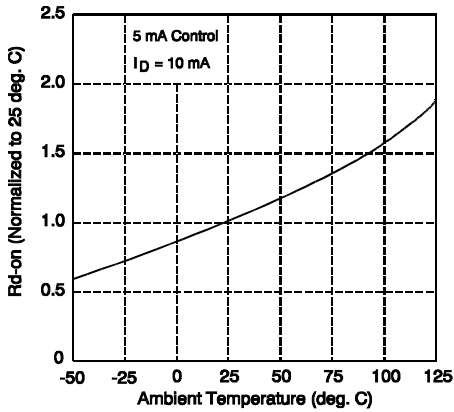


Figure 3. Typical Normalized On-Resistance

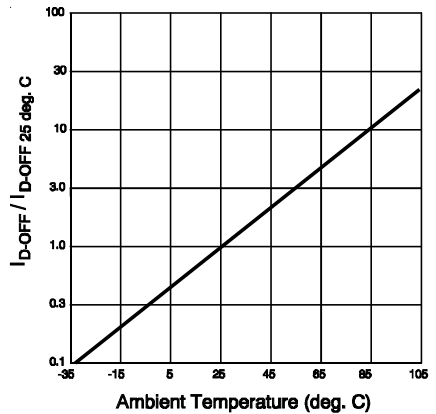


Figure 4. Typical Normalized Off-State Leakage

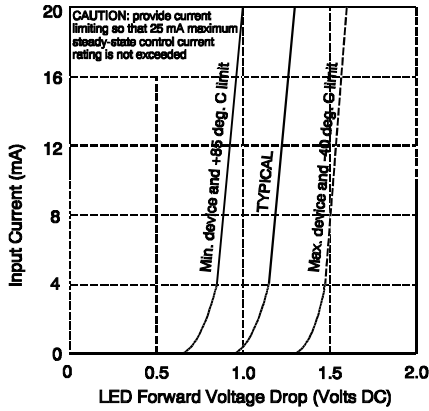


Figure 5. Input Characteristics (Current Controlled)

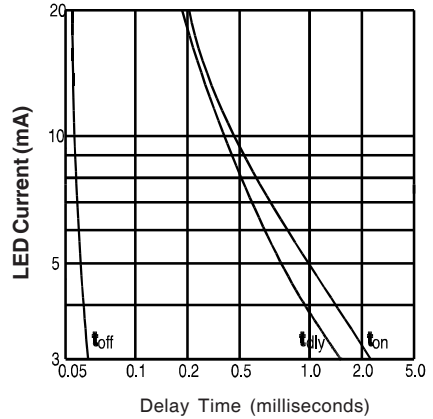


Figure 6. Typical Delay Times

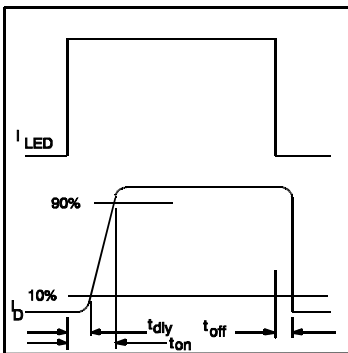


Figure 7. Delay Time Definitions

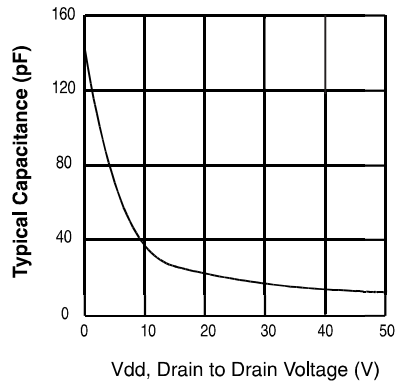
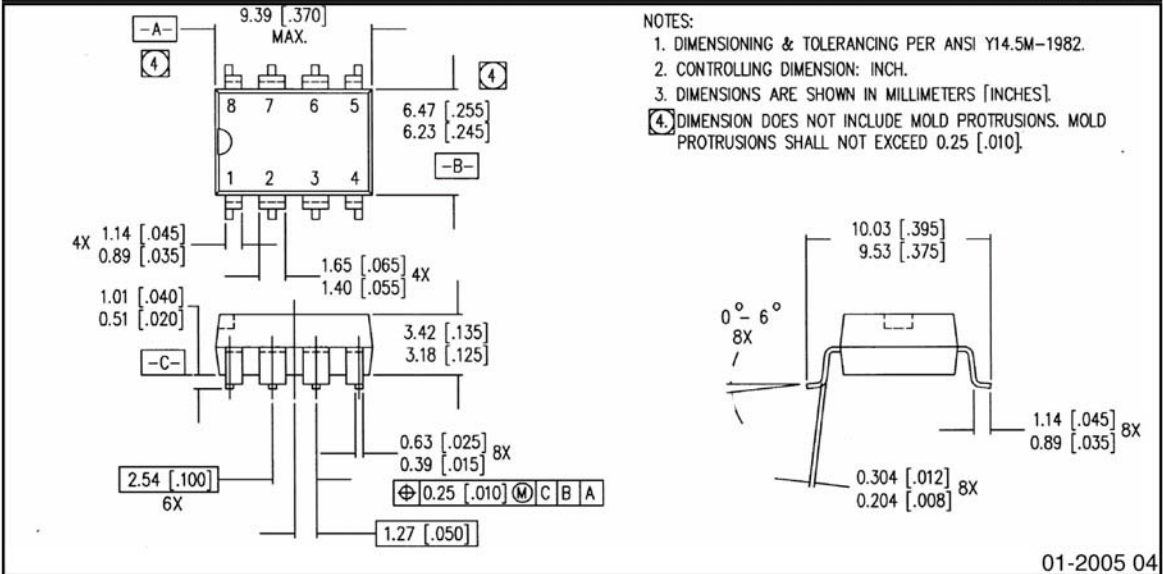
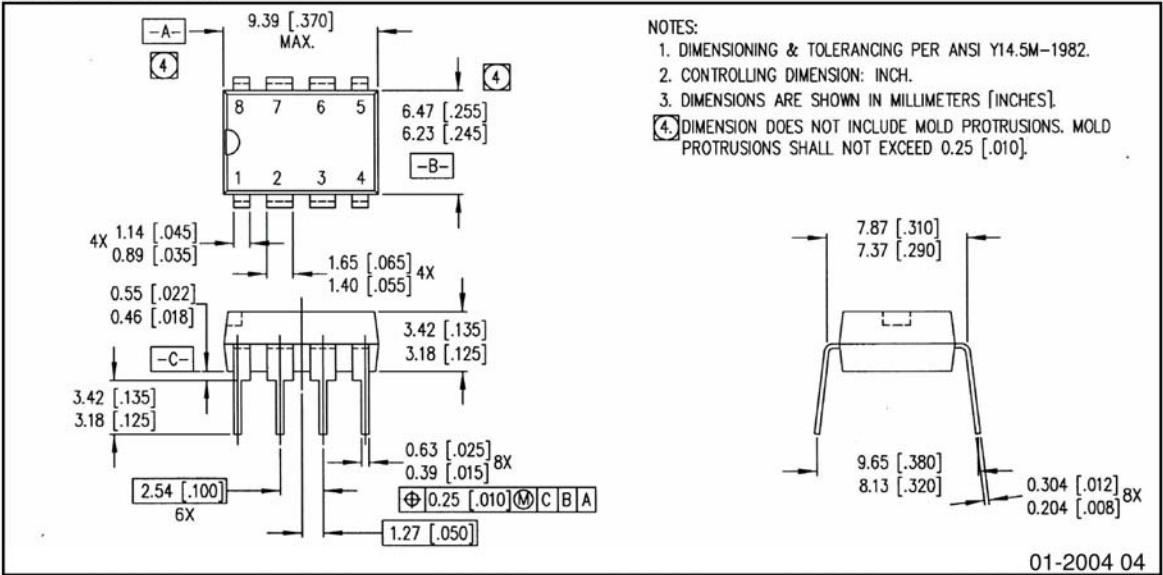


Figure 8. Typical Output Capacitance

### Case Outlines



Note: For the most current drawing please refer to IR website at: <http://www.irf.com/package/>

**Qualification information<sup>†</sup>**

|                            |  |  |
|----------------------------|--|--|
| Qualification level        | Industrial<br>(per JEDEC JESD47I <sup>††</sup> guidelines) |  |
| Moisture Sensitivity Level | PVT322APbF   | N/A  |
|                            | PVT322ASPbF  | MSL4<br>(per JEDEC J-STD-020E & JEDEC J-STD-033C <sup>††</sup> ) |
|                            | PVT322AS-TPbF  |  |
| RoHS compliant             | Yes  |  |

<sup>†</sup> Qualification standards can be found at International Rectifier's web site: <http://www.irf.com/product-info/reliability>

<sup>††</sup> Applicable version of JEDEC standard at the time of product release

**Revision History**

| Date     | Comments   |
|----------|--|
| 6/2/2015 | <ul style="list-style-type: none"> <li>• Added Qualification Information Table on page 6</li> <li>• Updated data sheet with new IR corporate template</li> </ul> |

## Looking for pricing, stock, or lifecycle information?

Click below to explore more details on WIN SOURCE:

-  [View PVT322APBF on WIN SOURCE](#)
-  [Infineon Technologies](#) Information

## Optimize Your Supply Chain with WIN SOURCE Solutions

-  Global Sourcing Solution
-  Obsolete Management
-  Cost Control Management
-  Shortage Management
-  Alternative Solution
-  Excess Inventory Management