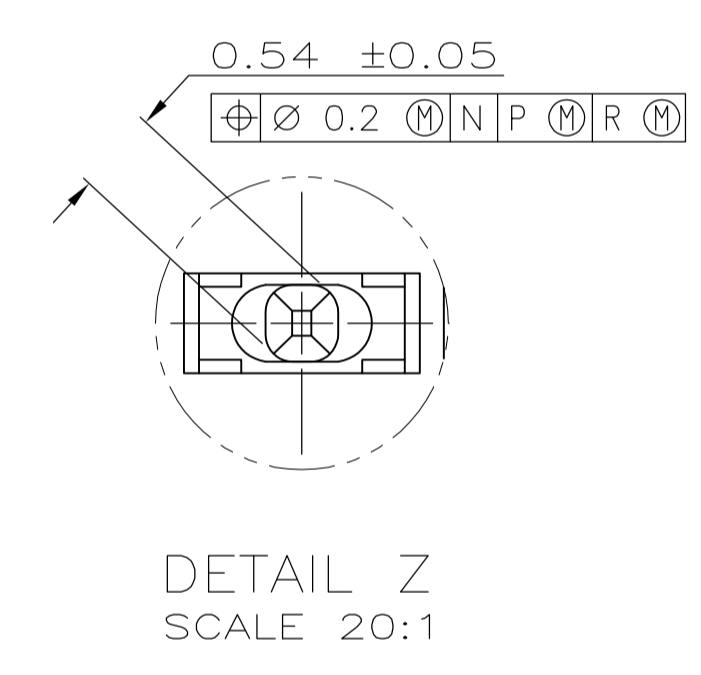


- 1 HOUSING MATERIAL: LIQUID CRYSTAL POLYMER  
COLOR: NATURAL.
- 2 CONTACT MATERIAL: PHOSPHOR BRONZE
- 3 CONTACT FINISH:(B)  
UNDERPLATE (ENTIRE CONTACT):  
0.00127 MIN NICKEL PER SAE-AMS-QQ-N-290  
ON MATING SURFACES:  
CONFORMS TO ALL TESTING SPECIFIED FOR TELCORDIA  
UNCONTROLLED ENVIRONMENT.  
ON LEADS:  
0.0006 MIN MATTE TIN PER ASTM B 545 OVER UNDERPLATE.  
LUBRICATION (MIN MATING SURFACES):  
SURFACE CONDITIONER AFTER PLATING.
- 4 PART MARKING LOCATED APPROXIMATELY AS SHOWN.
- 5 DIMENSION APPLIES WHEN SEATED ON PRINTED CIRCUIT BOARD.
- 6 OBSOLETE PARTS: OBSOLETE CIS STREAMLINING PER D.RENAUD/D.SINISI



OBSOLETE	130	65	131.88	330	-1-5223002-1
	118	59	119.88	300	-1-5223002-0
	106	53	107.88	270	-5223002-9
	94	47	95.88	240	5223002-8
	82	41	83.88	210	5223002-7
	70	35	71.88	180	5223002-6
	58	29	59.88	150	5223002-5
	46	23	47.88	120	5223002-4
	34	17	35.88	90	5223002-3
	22	11	23.88	60	5223002-2
10	5	11.88	30	5223002-1	
C	B	A	NO OF SIGNAL POSN	PART NUMBER	

THIS DRAWING IS A CONTROLLED DOCUMENT.

DIMENSIONS:	TOLERANCES UNLESS OTHERWISE SPECIFIED:	DIN B MCMMASTER 19NOV04	Tyco Electronics Corporation
mm	0 PLC ± -	CIK R WERTZ 19NOV04	Harrisburg, Pa 17105-3608
	1 PLC ± -	APVD R WERTZ 19NOV04	NAME ASSEMBLY, PIN, SIGNAL, VERTICAL, Z-PACK 2mm FB, 5 ROW, PRESS FIT LEADS
	2 PLC ± 0.13	PRODUCT SPEC	APPLICATION SPEC
	3 PLC ± -	SIZE	CAGE CODE DRAWING NO
	4 PLC ± -	WEIGHT	A1 00779 C=5223002
	ANGLES ± -	CUSTOMER DRAWING	SCALE 4:1 SHEET 1 of 1 REV A

## Looking for pricing, stock, or lifecycle information?

Click below to explore more details on WIN SOURCE:

 [View 5223002-2 on WIN SOURCE](#)

 [TE Connectivity](#) Information

## Optimize Your Supply Chain with WIN SOURCE Solutions

-  Global Sourcing Solution
-  Obsolete Management
-  Cost Control Management
-  Shortage Management
-  Alternative Solution
-  Excess Inventory Management