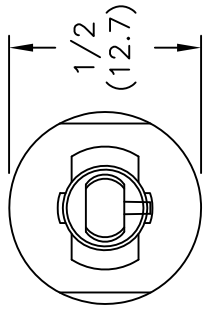




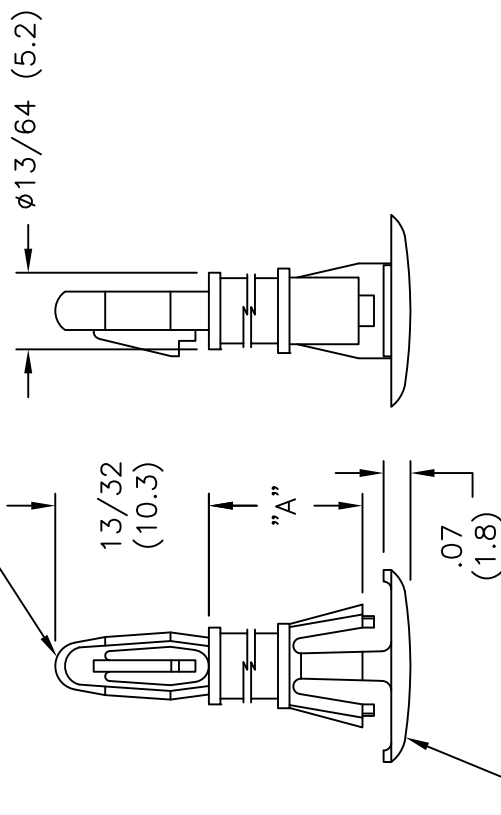
**THE DATASHEET OF
RLCBSR1-10-01**



RLC
RLC
RLC
RLC



TO SNAP-LOCK IN A .156(4.00)
±.003(0.08) DIA. HOLE, IN A
.062(1.57) THICK BOARD/PANEL.



TO SNAP-LOCK IN A .250±.003
(6.35±0.08) DIA. HOLE, IN
A .059 TO .065 (1.50 TO 1.65)
THICK PANEL/BOARD

NOTES:

1. MATERIAL: NYLON 6/6 (RMS-01).
FLAME RETARDANT NYLON (RMS-19),
AVAILABLE BY SPECIAL ORDER.
2. COLOR: NATURAL.

TITLE: REVERSE LOCK CKT. BD. SUPPORT, STYLE #

D	ADDED ø13/64 (5.2), CO 200708	SK 09.14.11
C	SEE ECN #539 FOR CHANGES	SM 12.10.02
B	CHANGED FILE NUMBER	SM 05.03.01
A	MAT'L RMS-19 ADDED	J.L. 12.29.97
REV	DESCRIPTION	ENGR DATE

TOLERANCES UNLESS NOTED .XX=±.010 .XXX=±.015 FRAC=1/64 ANG=1°	FILE # RLCBSR1	DWN: J.B./R.T. APP:
MAT'L: SEE NOTES	RE: RICHCO INC.	DT: 11-17-95 IDT:
		PO BOX 804238, CHICAGO, 60688 (773) 539-4060

Looking for pricing, stock, or lifecycle information?

Click below to explore more details on WIN SOURCE:

-  [View RLCBSR1-10-01](#) on WIN SOURCE
-  [Essentra Components](#) Information

Optimize Your Supply Chain with WIN SOURCE Solutions

-  Global Sourcing Solution
-  Obsolete Management
-  Cost Control Management
-  Shortage Management
-  Alternative Solution
-  Excess Inventory Management