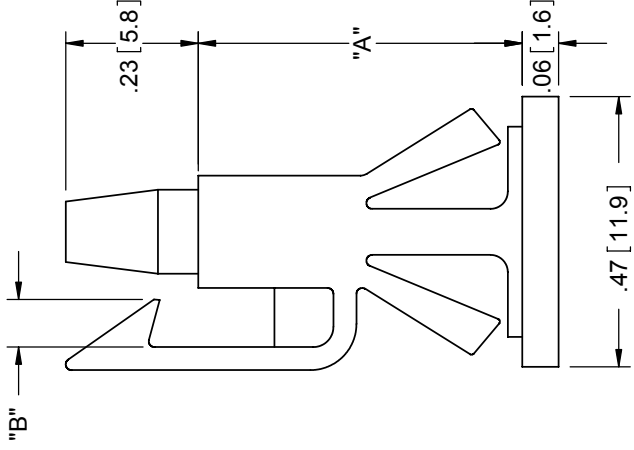
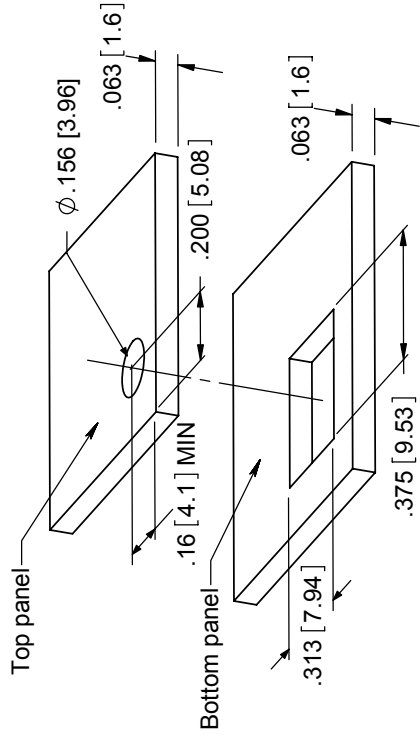
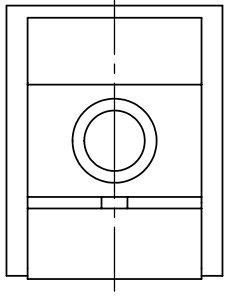
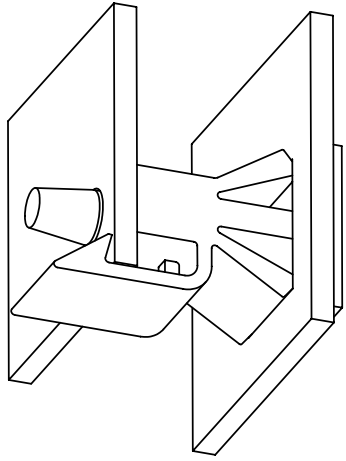




**THE DATASHEET OF
RLEHCBS-8-01BK**





NOTES:

1. Material: Nylon 6/6 (RMS-01)
Flame Retardant Nylon, (RMS-19) available by special order.
To order, replace -01 with -19.
2. Color: Black, Natural, also available by special order.
To order, remove BK from part no.
3. Designed to snap lock into the bottom of a .313 X .375 [7.94 X 9.53] hole, and top panel with $\phi .156$ [3.96] hole .200 [5.08] from edge.
4. Board clearance is dependent on bottom panel thickness.

Part No.

RLEHCBS-5-01B
RLEHCBS-6-01B
RLEHCBS-7-01B
RLEHCBS-8-01B

TITLE: REVERSE LOCKING EDGE HOLDING CIRCUIT BOARD SUPPORT

D	SEE ECN #1256 FOR CHANGES	SK	11/30/06
C	SEE ECN #875 FOR CHANGES	SM	11/01/04
B	ADDED DIMENSIONS, SEE ECN #786 FOR CHANGES	SM	04/30/04
A	RELEASE FOR PRODUCTION	SM	08/26/03
REV.	DESCRIPTION	ENGR.	DATE

CREATED BY: SOLIDWORKS	FILE #:	RLEHCBS
TOLERANCES UNLESS NOTED	SHEET:	1 OF 1
.XX±.010 .XXX±.005 FRAC ±1/64 ANG ±1°	RE:	RICHCO --
	SHEET SIZE:	A

DWN:	D.J.Z.	APP:	D.J.Z.
DT:	06/19/03	CHKD:	SJ
			RICHCO, INC. ENG@RICHCO-INC.COM (773) 539-4060

Looking for pricing, stock, or lifecycle information?

Click below to explore more details on WIN SOURCE:

- ⊖ [View RLEHCBS-8-01BK on WIN SOURCE](#)
- ⊖ [Essentra Components](#) Information

Optimize Your Supply Chain with WIN SOURCE Solutions

- ✓ Global Sourcing Solution
- ✓ Obsolete Management
- ✓ Cost Control Management
- ✓ Shortage Management
- ✓ Alternative Solution
- ✓ Excess Inventory Management