



THE DATASHEET OF AST7525MATRQ



Sales Outline Drawing

Revision **C**

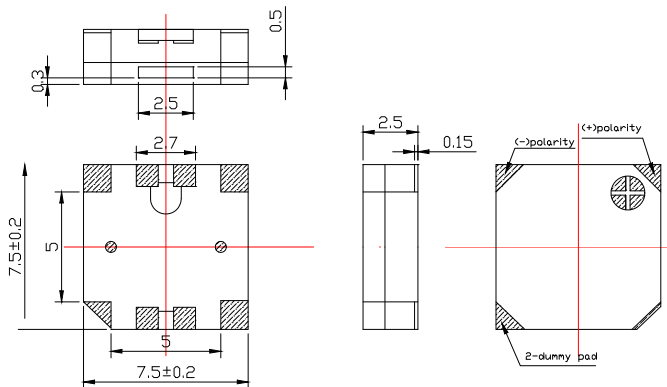
Specifications:

Oscillation Frequency (Hz)	2700
Operating Voltage (Vp-p)	2.5 ~ 4.5
Rated Voltage (Vp-p)	3.6
Current Consumption Max. (mA)	100 at Rated Voltage
Sound Pressure Level (dB/min)	85 at 10cm at Rated Voltage
Coil Resistance (Ω)	15 ± 3
Operating Temperature ($^{\circ}\text{C}$)	$-30 \sim +70$
Storage Temperature ($^{\circ}\text{C}$)	$-40 \sim +80$
Type of Connection Terminal	SMD
Housing	LCP plastic resin (Color : Black)
Weight (Grams)	2.0
Condition by reflow soldering ($^{\circ}\text{C}$)	$245 \pm 5 / 1 \text{ min}$
Condition by hand soldering ($^{\circ}\text{C}$)	$350 \pm 20 / \text{within } 5 \text{ sec}$
Options	For other options contact factory

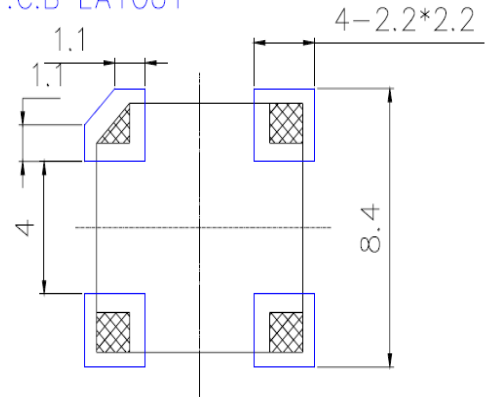
Dimensions: (units: mm)

PS: Vp-p=1/2duty, square wave

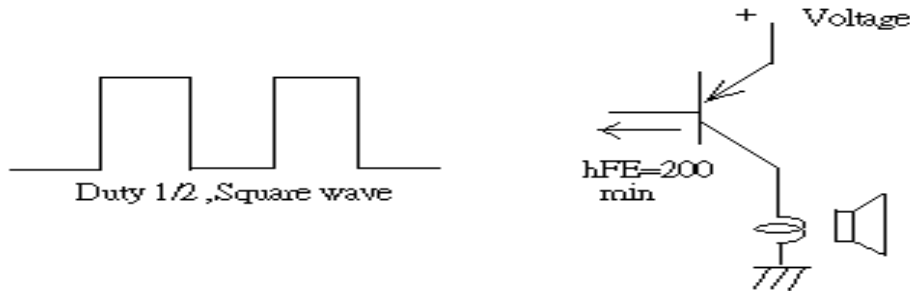
RoHS Compliant



RECOMMENDED P.C.B LAYOUT



Recommend Driving Circuit



Packaging:

Parts are supplied on reels (1000 pcs per tape and reel).
Units do not come with wash label and are not appropriate for aqueous wash.

Looking for pricing, stock, or lifecycle information?

Click below to explore more details on WIN SOURCE:

- ⊖ [View AST7525MATRQ on WIN SOURCE](#)
- ⊖ [Mallory Sonalert Products Inc. Information](#)

Optimize Your Supply Chain with WIN SOURCE Solutions

- ✓ Global Sourcing Solution
- ✓ Obsolete Management
- ✓ Cost Control Management
- ✓ Shortage Management
- ✓ Alternative Solution
- ✓ Excess Inventory Management