



**THE DATASHEET OF  
FTH-14S-01-M**

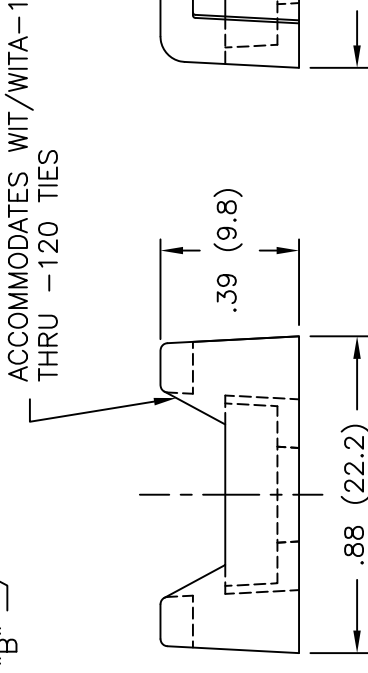
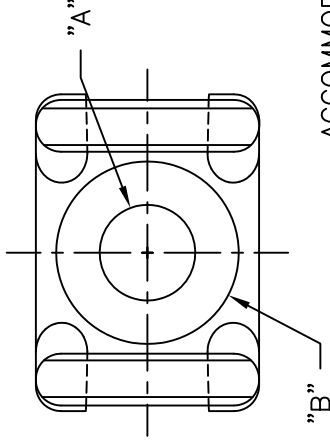


MOUNTING RIVETS FOR - FTH-14R		
USE	FOR PANEL	
RIVET NO.	HOLE DIA.	THICKNESS RANGE
SR-5055	.201 (5.1)	.020-.048 (0.5-1.2)
SR-5065		.048-.087 (1.2-2.2)
SR-5075		.087-.127 (2.2-3.2)
SR-5085		.127-.166 (3.2-4.2)
SR-5095		.166-.205 (4.2-5.2)
SR-5105		.205-.245 (5.2-6.2)

PART NO.
FTH-14R-0
FTH-14S-0

NOTES:

1. MATERIAL: NYLON 6/6 (RMS-01), COLOR NATURAL. BLACK AVAILABLE BY SPECIAL ORDER ONLY. TO ORDER ADD "BK" TO END OF PART NO.
2. FLAME RETARDANT NYLON (RMS-19), COLOR NATURAL. AVAILABLE BY SPECIAL ORDER ONLY; TO ORDER USE P/N FTH-14R-19 OR FTH-14S-19.
3. UV STABILIZED NYLON 6/6 (RMS-46), COLOR BLACK. AVAILABLE BY SPECIAL ORDER ONLY; TO ORDER USE P/N FTH-14R-UVB OR FTH-14S-UVB.
4. MOUNTING SCREW FOR FTH-14R: NO. 10 (M5) FLAT, ROUND, OR PAN HEAD MOUNTING SCREW FOR FTH-14S: NO. 1/4" (M6) ROUND OR PAN HEAD.
5. PACKAGING QUANTITIES ARE REFLECTED AS THE SUFFIX "-LETTER".  
EXAMPLE: FTH-14S-01-M FOR 1000 PCS.  
-C = 100 PCS  
-M = 1000 PCS



G	ADDED NOTE 5, SEE CO 200661	SK 05.12.11	
F	SEE CO 200570 FOR CHANGES	SK 08.04.10	
E	SEE CO 220042 FOR CHANGES	T.Y. 11.11.09	
D	SEE ECN #1124 FOR CHANGES	SK 01.24.06	
C	UPDATED PRINT AND CHANGED FILE NO.	SM 05.30.02	
B	MAT'L RMS-19 ADDED, CABLE TIE NOTE UPDATED	JL 01.05.00	
A	CORRECTED TABLE	AM 5/6/99	
REV	DESCRIPTION	ENGR	DATE



TOLERANCES UNLESS NOTED .XX=±.010 .XXX=±.005 FRAC=±1/64 ANG=±1°
---

TITLE: FLAT TIE HOLDER
FILE # FTH-14X
MAT'L: SEE NOTES
RE: RICHCO, INC.

DWN: E.P.	APP:
DT: 12-30-98	IDT:
RICHCO INC. PO BOX 804238, CHICAGO, 60688 (773) 539-4060	

## Looking for pricing, stock, or lifecycle information?

Click below to explore more details on WIN SOURCE:

-  [View FTH-14S-01-M on WIN SOURCE](#)
-  [Essentra Components](#) Information

## Optimize Your Supply Chain with WIN SOURCE Solutions

-  Global Sourcing Solution
-  Obsolete Management
-  Cost Control Management
-  Shortage Management
-  Alternative Solution
-  Excess Inventory Management