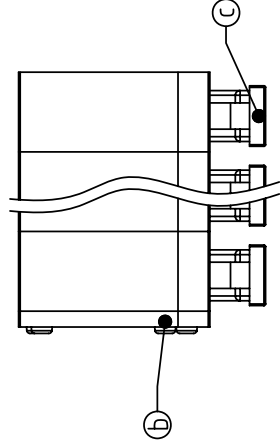




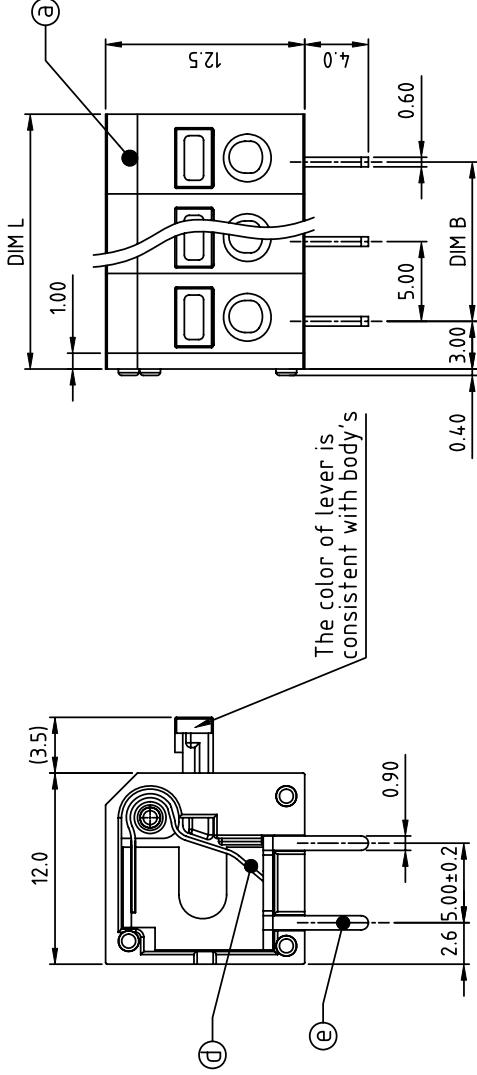
**THE DATASHEET OF
HX200180000G**



PRODUCT NUMBER	PITCH
HXxx01x000J0G	5.00 mm



(15.5)



A

N=Number of poles
 Dim L=(N-1)×5.0+6.0
 Dim B=(N-1)×5.0

Poles	Tolerance
1-4p	±0.15
5-9p	±0.20
10-14p	±0.30
15-19p	±0.40
20-24p	±0.50

PART NO.: HX xx 01 x 0 00J0 G

- End stackable 0 Black (RAL9005)
 - No. of poles 2 Red (RAL3001/D)
 - 01 1 poles 3 Orange(RAL2011/P)
 - 02 2 poles 4 Yellow(RAL1018/A)
 - ... 5 Green(RAL6018/T)
 - 24 24 poles 6 Blue (RAL5015/A)
 - 8 Grey(RAL7004/P)
 - 9 White(RAL1102)
 - C Multiple colors
- Color
- RoHS compliant (lead<4%) in copper Alloy

mat'l. code		tr		date		surface	
ecn	no	dr					tolerances unless otherwise specified
							ASME Y14.5
							angles
							X±1°
							dr
							enfr
							chr
							appd
sheet	revision	A					
index	sheet	1					

form: A4mmXLc

1


2

PDS: Rev

B

Looking for pricing, stock, or lifecycle information?

Click below to explore more details on WIN SOURCE:

-  [View HX2001800000G on WIN SOURCE](#)
-  [Amphenol Anytek Information](#)

Optimize Your Supply Chain with WIN SOURCE Solutions

-  Global Sourcing Solution
-  Obsolete Management
-  Cost Control Management
-  Shortage Management
-  Alternative Solution
-  Excess Inventory Management