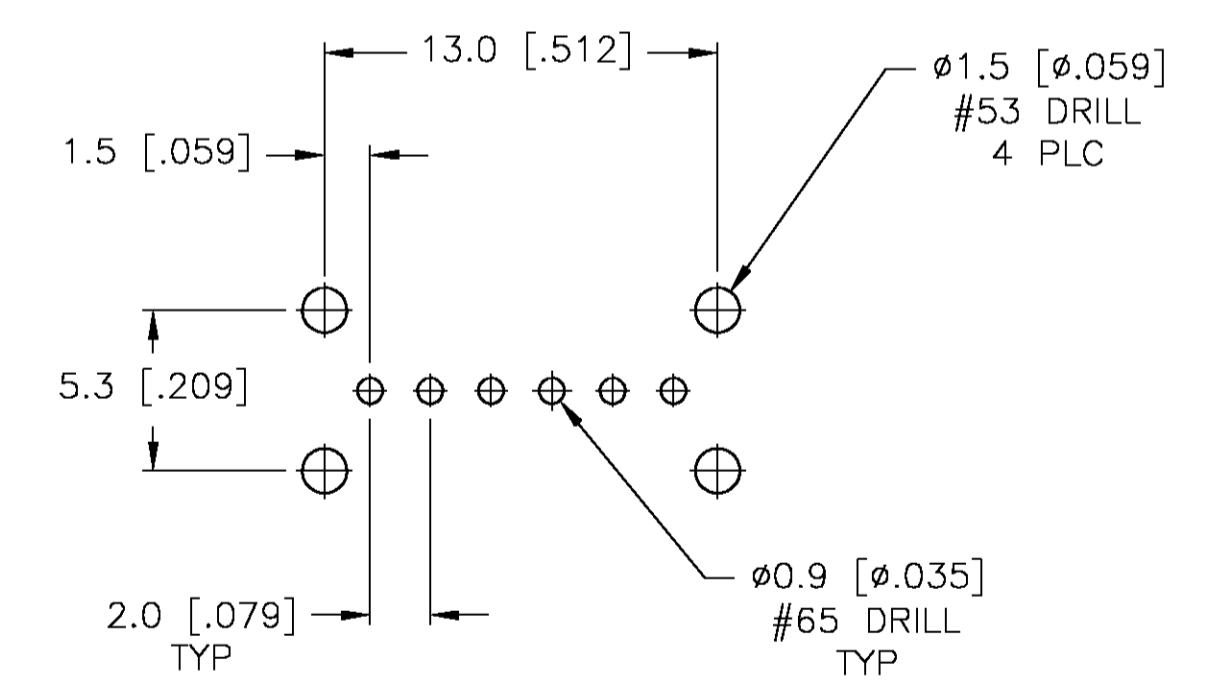
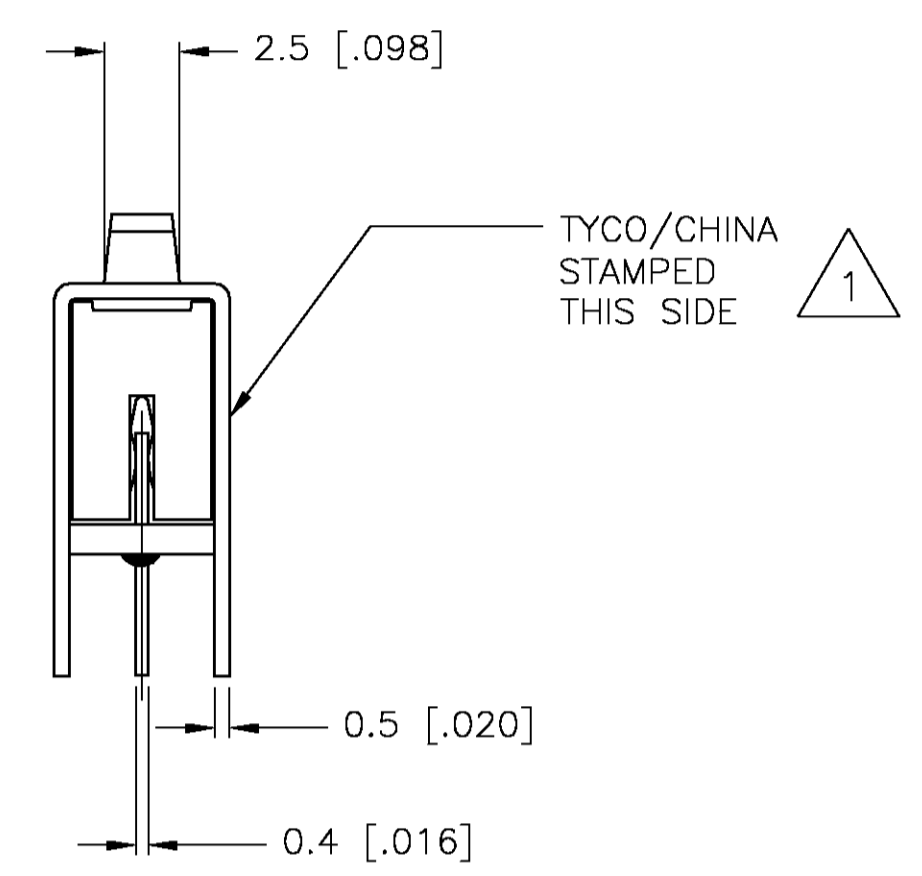
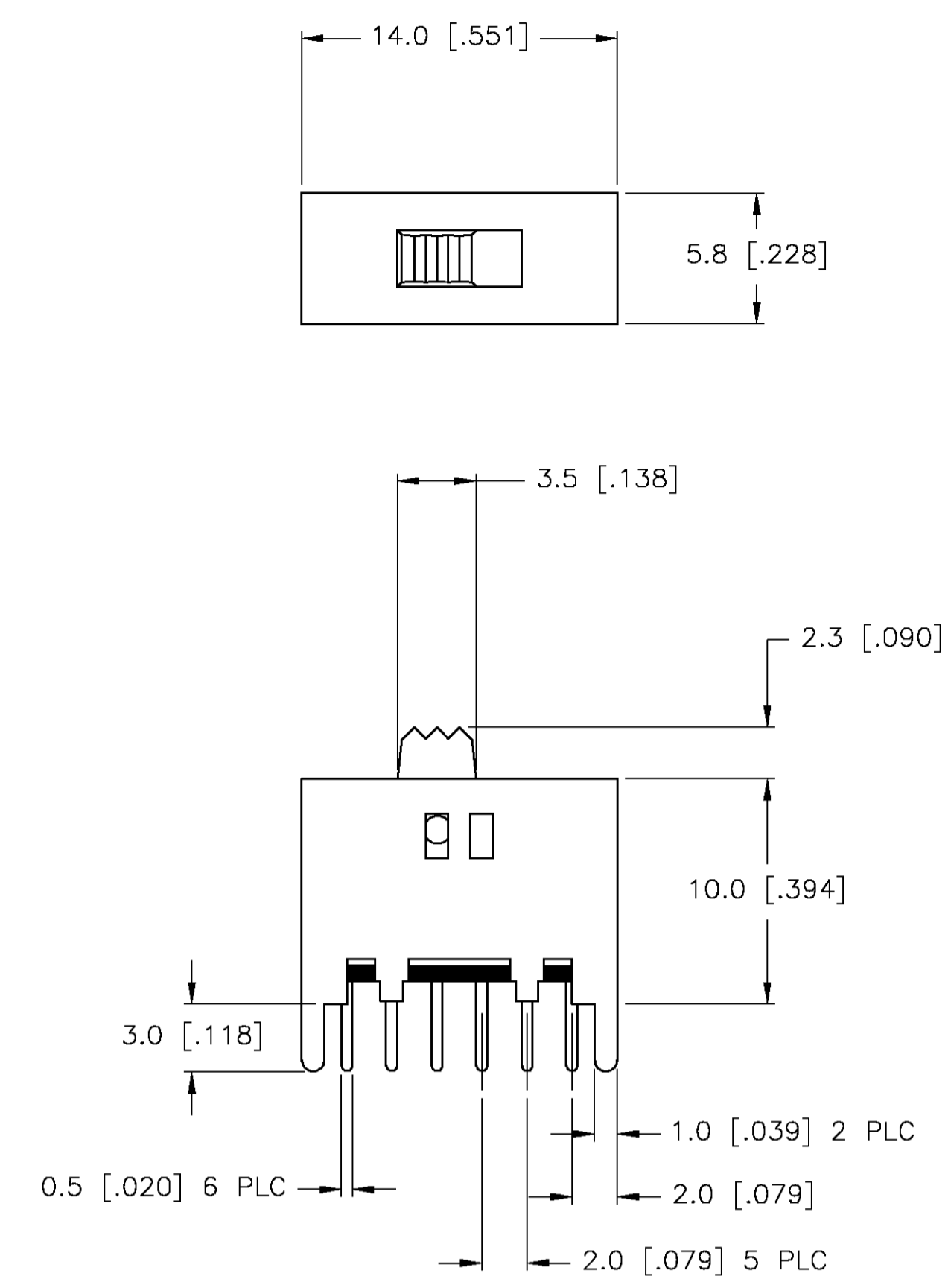
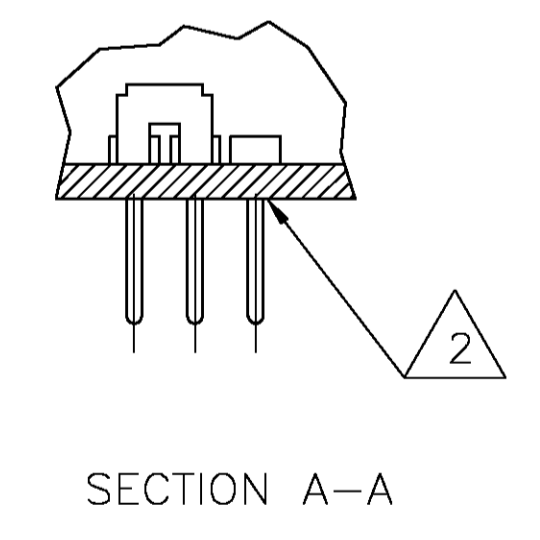




LOC		DIST		REVISIONS			
P	LR	REV	PER	DESCRIPTION	DATE	BY	APPD
B				REV PER 063C-0490-03	30JAN04	RB	MS



RECOMMENDED BOARD LAYOUT



- 1 Mark per 202-37 specification, TYCO/CHINA minimum requirement.
- 2 Anti Solder Wick Seal at Terminal to Board Interface.

Specifications:  
 Make-Before-Break

Material:  
 Frame- Steel, Nickel Plate  
 Actuator- POM UL94HB, Black  
 Moving Contact- Copper Alloy, Silver Clad Plate  
 Terminal- Copper Alloy, Silver or Gold over Nickel Plate  
 Ball- Steel  
 Coil Spring- Galvanized Coil Spring  
 Terminal Seal- Epoxy  
 Board- Phenolic, UL94HB, Natural

Electrical:  
 Contact Rating- 300mA@125VAC (Silver), .4VA@20VDC (Gold) or peak AC, Per EIA-448, Method 6  
 Initial Contact resistance- 20 milliohms max, Per EIA-364-23B, each position  
 Insulation Resistance- 1000 Megohm min. Per EIA-364-21C each position  
 Dielectric strength- 500 Volt AC, Per EIA-364-20B, Condition 1, each position.

Mechanical:  
 Actuation force- 100 to 600 Grams  
 Actuation Travel- 2.0 [.079]  
 Life Expectancy- 15,000 cycles, Per EIA-448, Method 8 and 9  
 Vibration- Per EIA 364-28D, Condition VII, Level E  
 Mechanical Shock- Per EIA-364-27B, Condition A

Environmental:  
 Operating Temperature- -20 to + 85 degrees C, Per EIA 448, Method 10  
 Storage Temperature- -40 to + 100 degrees C  
 Humidity and Temperature Cycling- Per EIA-364-31B, Method III  
 Temperature Life- Per EIA-364-17B, Method B, Temperature Test Condition 3, Time Condition B  
 Thermal Shock- Per EIA-364-32C, -25 to 100 degrees C  
 Solderability- Per EIA-364-52, Class 2, Category 1, 95% Minimum coverage  
 Resistance to Solder Heat- Per EIA-364-56A, Procedure 3, Condition B  
 Mixed Flowing Gas- Per EIA-364-65A, Class IIIA, 20 Days (Gold Plate only)

6-1437576-0	MSS-2200G	GOLD	2 TO 1 5 TO 4	2 TO 3 5 TO 6
5-1437576-9	MSS2200	SILVER	2 TO 1 5 TO 4	2 TO 3 5 TO 6
TYCO PART NO.	T&B PART NO.	PLATING	TYCO 123456	TYCO 123456

TERMINALS CONNECTED WHEN SLIDE IS IN POSITION SHOWN.

THIS DRAWING IS A CONTROLLED DOCUMENT.

DIMENSIONS:	TOLERANCES UNLESS OTHERWISE SPECIFIED:	DIN R BROWN 20JAN04	APVD M SARVER 20JAN04	NAME M SARVER 20JAN04	TYCO Electronics Tyco Electronics Corporation Harrisburg, PA
MM	0 PLC ± - 1 PLC ± 0.3 [.012] 2 PLC ± - 3 PLC ± - 4 PLC ± - ANGLES ± -	PRODUCT SPEC	APPLICATION SPEC	SIZE: CODE/ISSUE: DRAWING NO: A1 00779 C=5-1437576-9	RESTRICTED TO
MATERIAL	FINISH	WEIGHT	CUSTOMER DRAWING	SCALE: 4:1	SHEET 1 OF 1 REV B

SLIDE SWITCH, MSS 1200 SERIES, VERTICAL

NOT THE LATEST REVISION

## Looking for pricing, stock, or lifecycle information?

Click below to explore more details on WIN SOURCE:

 [View MSS2200](#) on WIN SOURCE

 [TE Connectivity](#) Information

## Optimize Your Supply Chain with WIN SOURCE Solutions

-  Global Sourcing Solution
-  Obsolete Management
-  Cost Control Management
-  Shortage Management
-  Alternative Solution
-  Excess Inventory Management