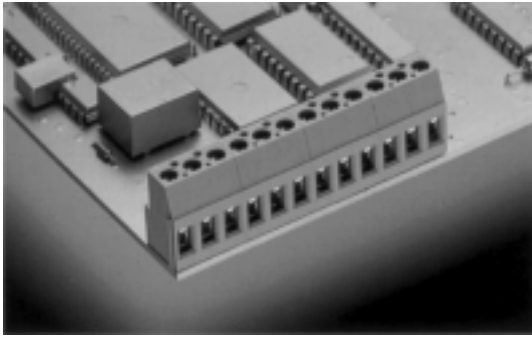




**THE DATASHEET OF
EDZ705/3**



**ED700/X (5.0 mm)
EDZ700/X (5.08 mm)**



2-12 poles, Spacing 5.0 mm and 5.08 mm
insert required no. of poles **X**
How to order see page 5



Ratings:

| | | |
|------------------------|------------------|---------------------------|
| Rated Voltage | 300V | 250 V |
| Rated Current | 20 A | 24 A (T60) |
| Wire Size | AWG 30-12 | 2.5 mm² |
| Test Voltage | | 2.0 kV |
| Rated Torque/ScrewSize | | 0.5 Nm/M3 |

Max. Rated Cross Section

| | |
|-----------------------------|---------------------------|
| Single Wire (solid) | 4.0 mm² |
| Stranded Wire (flexible) | 2.5 mm² |
| Stranded wire with Ferrules | 2.5 mm² |

Dimensions

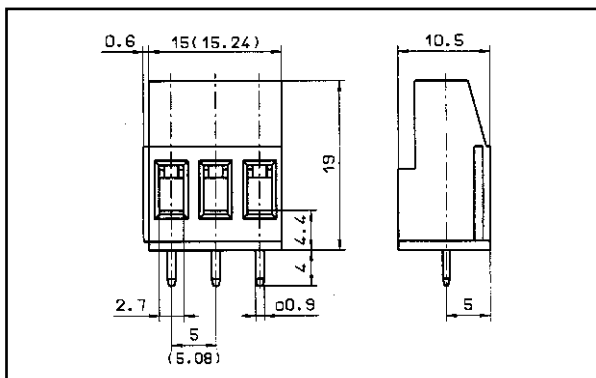
| | |
|-------------------|-------------------------|
| Spacing | 5.0 mm (5.08 mm) |
| PCB Hole Diameter | 1.3 mm |
| Stripped Length | 8.0 mm |

Materials

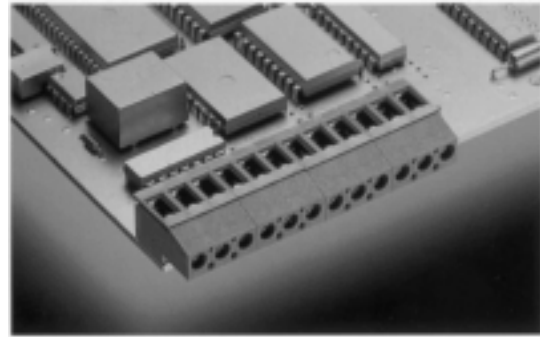
| | |
|---------------------|---------------------|
| Insulating Material | PA |
| Flammability Class | UL94 V-0 |
| Temperature Range | -30°C/+105°C |
| Terminal Block | CuZn |
| Wire Guard | Cu |

Color

Green



**ED705/X (5.0 mm)
EDZ705/X (5.08 mm)**



2-12 poles, Spacing 5.0 mm and 5.08 mm
insert required no. of poles **X**
How to order see page 5



Ratings:

| | | |
|------------------------|------------------|---------------------------|
| Rated Voltage | 300 V | 250 V |
| Rated Current | 15 A | 24 A (T60) |
| Wire Size | AWG 22-14 | 2.5 mm² |
| Test Voltage | | 2.0 kV |
| Rated Torque/ScrewSize | | 0.5 Nm/M3 |

Max. Rated Cross Section

| | |
|-----------------------------|---------------------------|
| Single Wire (solid) | 4.0 mm² |
| Stranded Wire (flexible) | 2.5 mm² |
| Stranded wire with Ferrules | 2.5 mm² |

Dimensions

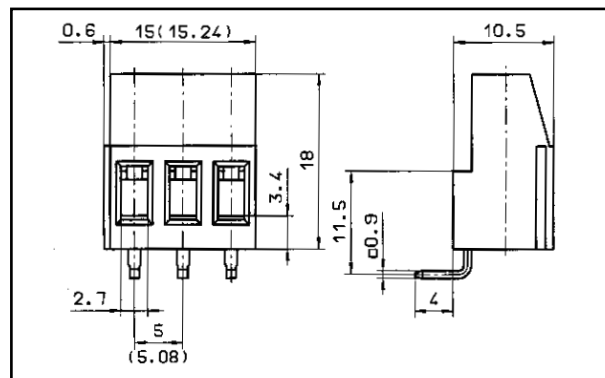
| | |
|-------------------|-------------------------|
| Spacing | 5.0 mm (5.08 mm) |
| PCB Hole Diameter | 1.3 mm |
| Stripped Length | 8.0 mm |

Materials

| | |
|---------------------|---------------------|
| Insulating Material | PA |
| Flammability Class | UL94 V-0 |
| Temperature Range | -30°C/+105°C |
| Terminal Block | CuZn |
| Wire Guard | Cu |

Color

Green



Looking for pricing, stock, or lifecycle information?

Click below to explore more details on WIN SOURCE:

- ⊖ [View EDZ705/3 on WIN SOURCE](#)
- ⊖ [On Shore Technology Inc. Information](#)

Optimize Your Supply Chain with WIN SOURCE Solutions

- ✓ Global Sourcing Solution
- ✓ Obsolete Management
- ✓ Cost Control Management
- ✓ Shortage Management
- ✓ Alternative Solution
- ✓ Excess Inventory Management