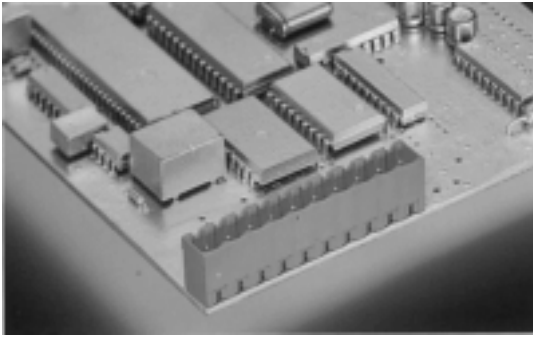




**THE DATASHEET OF
EDSTLZ955/11**



EDSTL955/X (5.0 mm)
EDSTLZ955/X (5.08 mm)



2-24 poles, Spacing 5.0 mm or 5.08 mm
 insert required no. of poles **x**
 How to order see page 5



Ratings:

Rated Voltage	300 V	250 V
Rated Current	15 A	12 A (T60)
Rating Impulse Voltage/Dirt Level		4 kV/3

Dimensions

Spacing	5.0 mm (5.08 mm)
PCB Hole Diameter	1.4 mm

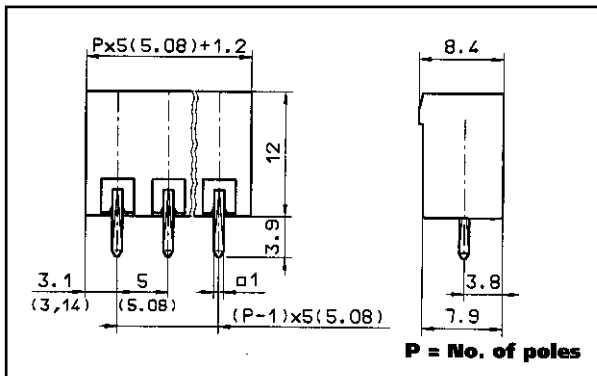
Materials

Insulating Material	PA/PBTP
Flammability Class	UL94 V-0
Temperature Range	-30°C/+105°C
Contact	Cu

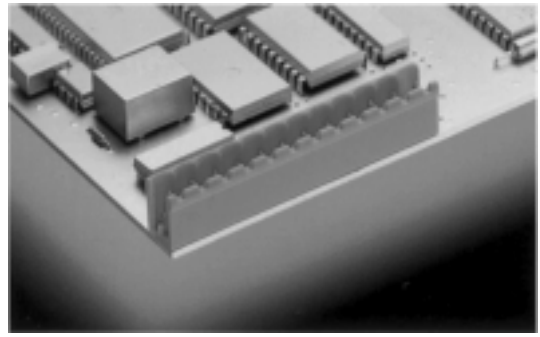
Color

Green

Screw Flange Available
 EDSTL956/X (5.0 mm)
 EDSTLZ956/X (5.08 mm)



EDSTL955/X-OE (5.0 mm)
EDSTLZ955/X-OE (5.08 mm)



2-24 poles, Spacing 5.0 mm or 5.08 mm
 insert required no. of poles **x**
 How to order see page 5



Ratings:

Rated Voltage	300 V	250 V
Rated Current	15 A	12 A (T60)
Rating Impulse Voltage/Dirt Level		4 kV/3

Dimensions

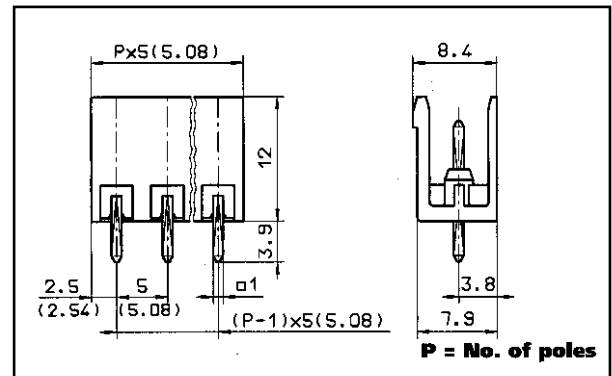
Spacing	5.0 mm (5.08 mm)
PCB Hole Diameter	1.4 mm

Materials

Insulating Material	PA/PBTP
Flammability Class	UL94 V-0
Temperature Range	-30°C/+105°C
Contact Pin	Cu



Color

Green



Looking for pricing, stock, or lifecycle information?

Click below to explore more details on WIN SOURCE:

-  [View EDSTLZ955/11 on WIN SOURCE](#)
-  [On Shore Technology Inc. Information](#)

Optimize Your Supply Chain with WIN SOURCE Solutions

-  Global Sourcing Solution
-  Obsolete Management
-  Cost Control Management
-  Shortage Management
-  Alternative Solution
-  Excess Inventory Management