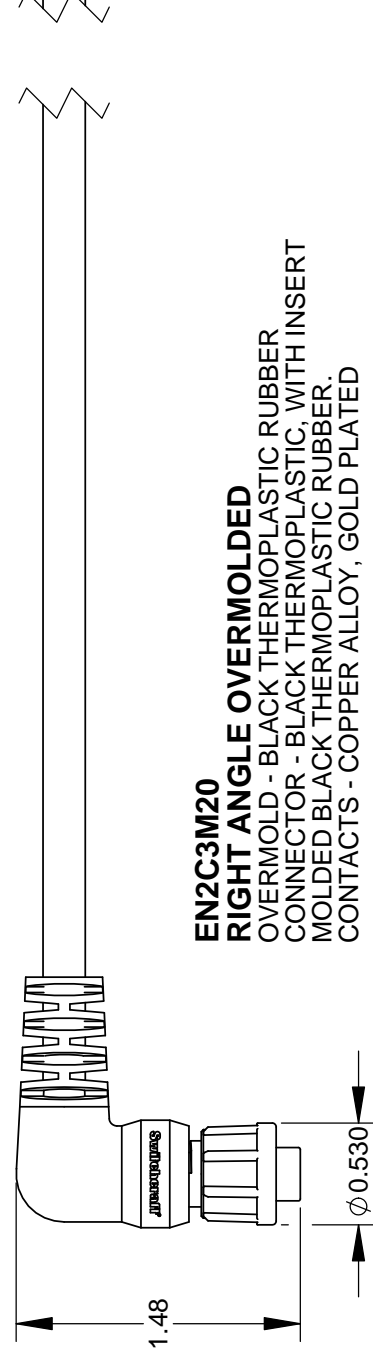
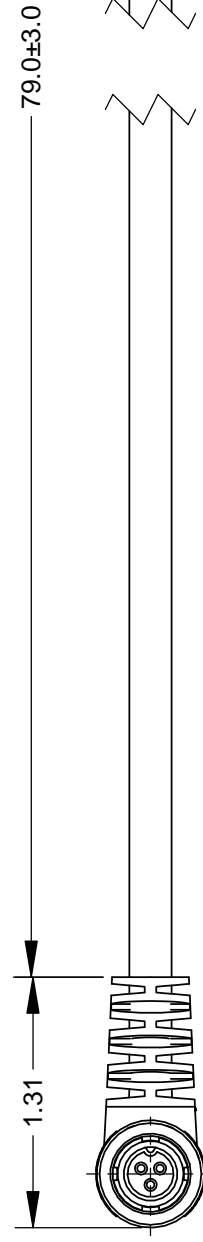


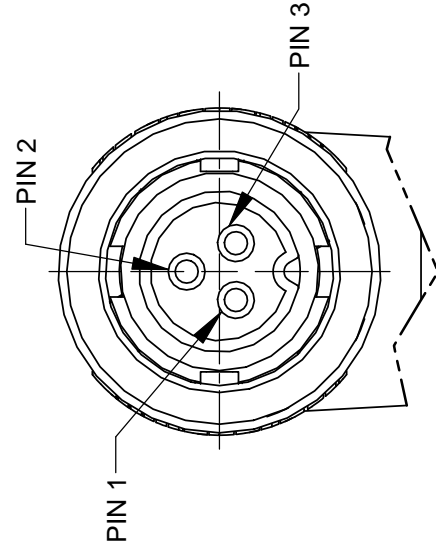


**THE DATASHEET OF
CARAEN2C3M07990**





**EN2C3M20
RIGHT ANGLE OVERMOLDED**
 OVERMOLD - BLACK THERMOPLASTIC RUBBER
 CONNECTOR - BLACK THERMOPLASTIC, WITH INSERT
 MOLDED BLACK THERMOPLASTIC RUBBER.
 CONTACTS - COPPER ALLOY, GOLD PLATED



**EN2C3M20 VIEWED FROM
FRONT MATING
SIDE OF CONNECTOR
SCALE 3 : 1**

WIRING TABLE	
EN2C3M20	WIRE COLOR
PIN 1	BLA
PIN 2	WH
PIN 3	GR

NOTES:

1. THIS PRODUCT IS RoHS COMPLIANT.

REV	ECO NUMBER	DATE	BY	APVD
*	*	*	*	*

UNLESS OTHERWISE SPEC

1. ALL DIMENSIONS IN INCHES [mm]

- TWO PLACE DECIMALS ±0.01

- THREE PLACE DECIMALS ±0.001

DO NOT SCALE DRAWING

SolidWorks CAD

Looking for pricing, stock, or lifecycle information?

Click below to explore more details on WIN SOURCE:

[View CARAEN2C3M07990 on WIN SOURCE](#)

[Switchcraft Inc. Information](#)

Optimize Your Supply Chain with WIN SOURCE Solutions

- ✓ Global Sourcing Solution
- ✓ Obsolete Management
- ✓ Cost Control Management
- ✓ Shortage Management
- ✓ Alternative Solution
- ✓ Excess Inventory Management