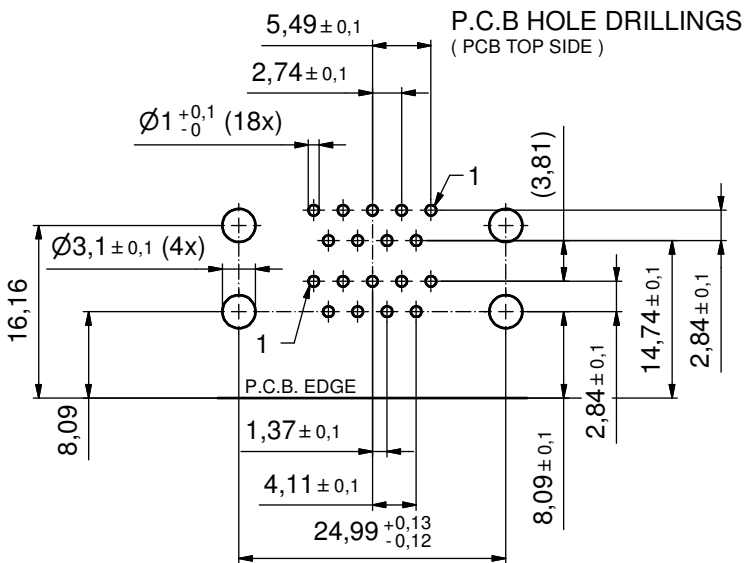
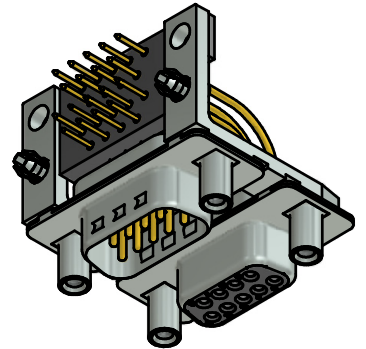
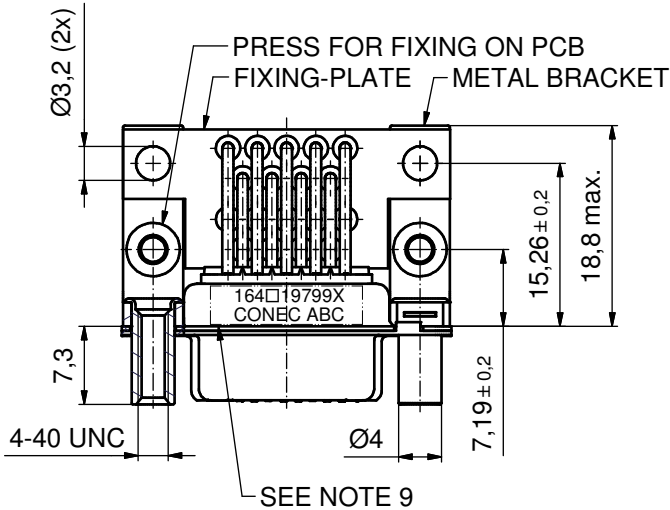
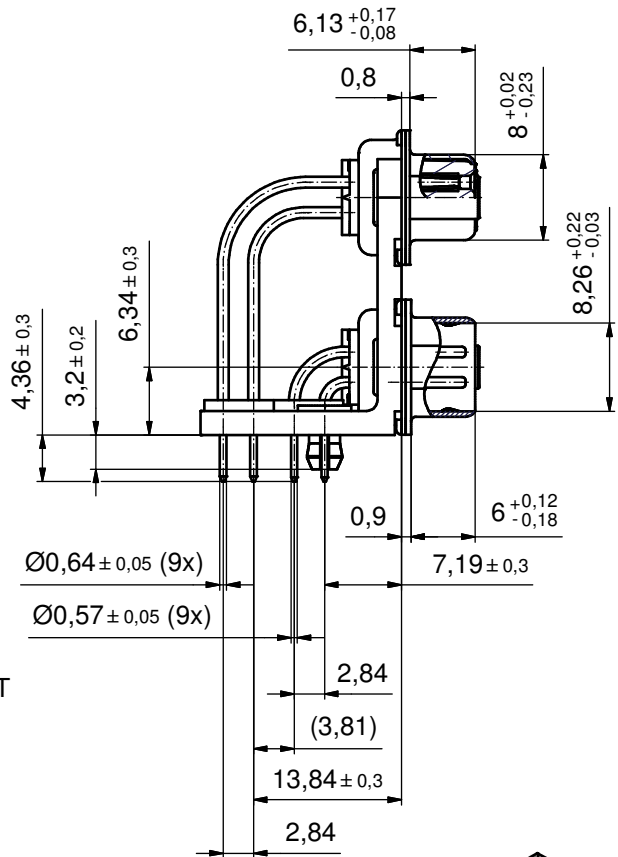
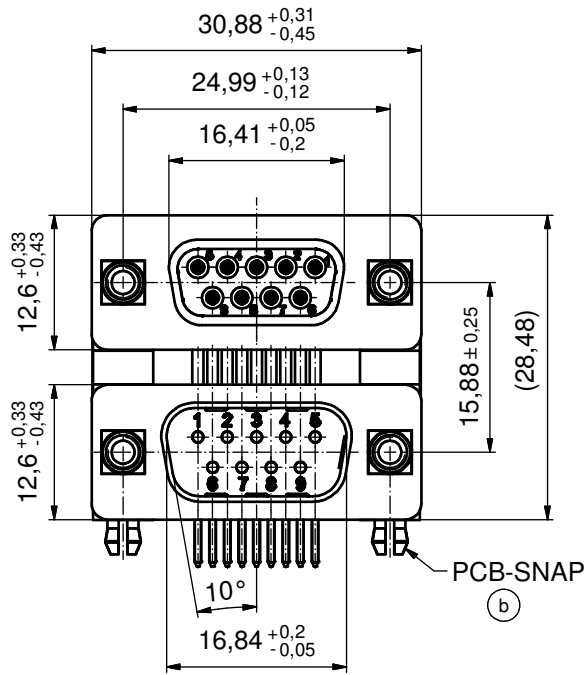




**THE DATASHEET OF  
164A19799X**





**NOTES:**

1. METALSHIELDS: STEEL; min. 315µm TIN over 40-80µm NICKEL
2. INSULATORS: PBT GF UL 94 V-0, BLACK
3. CONTACTS: COPPER ALLOY; PLATING (SEE PART NO):
  - (b) □ PLEASE ADD A for GOLD FLASH over NICKEL (PREFERRED TYPE)
  - PLEASE ADD B for 20µm HARD GOLD over min. 50µm NICKEL
  - PLEASE ADD C for 30µm HARD GOLD over min. 50µm NICKEL
4. METAL BRACKETS: ZINC DIE CAST; 300µm COPPER/40-120µm NICKEL/120-200µm TIN
5. THREADED LOCKS: COPPER ALLOY; min. 200µm TIN over 80µm NICKEL
6. FIXING PLATE: PBT GF UL 94 V-0, BLACK
7. PCB-SNAPS: COPPER ALLOY; min. 200µm TIN over 80µm NICKEL
- (b) PCB-HOLE: Ø3,1±0,1mm; PCB-THICKNESS: 1,6
8. MAXIMUM TORQUE VALUE FOR THREAD: 6 in.LB
9. CONNECTOR IS PART MARKET: 164□19799X CONEC ABC (see note 3)

Directive 2002/95/EC RoHS compliant

THIS DRAWING MAY NOT BE COPIED OR REPRODUCED IN ANY WAY, AND MAY NOT BE PASSED ON TO A THIRD PARTY WITHOUT WRITTEN PERMISSION. OWNERSHIP AND COPYRIGHT OF CONEC GmbH

DO NOT ALTER CAD DRAWING BY HAND

tolerance		dim. in mm	
date	name	drawn	16.01.13 Henneboel
appd.	17.01.13	Fischer	
norm		d-old	16K1A1762
4 x b	A4610	16.01.2013	K.H.
a	Original		
rev.	description	date	name

scale:	2:1
material:	SEE NOTES
title:	
D-SUB DUAL PORT 15.88mm	
9pos. FEMALE / 9pos. MALE	
threaded lock, metal bracket, fixing-plate and clip	
dwg no:	
part no:	(b) 164□19799X (see note 3)
DIN-A3	sh: 1

**CONEC**®

## Looking for pricing, stock, or lifecycle information?

Click below to explore more details on WIN SOURCE:

 [View 164A19799X on WIN SOURCE](#)

 [Conec Information](#)

## Optimize Your Supply Chain with WIN SOURCE Solutions

-  Global Sourcing Solution
-  Obsolete Management
-  Cost Control Management
-  Shortage Management
-  Alternative Solution
-  Excess Inventory Management