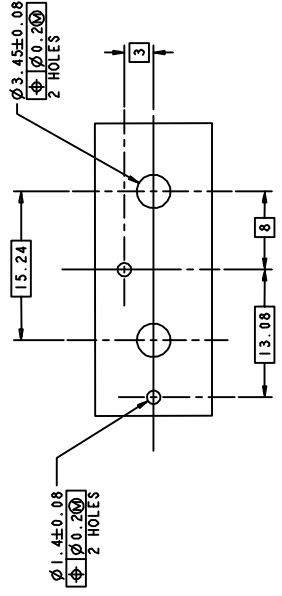
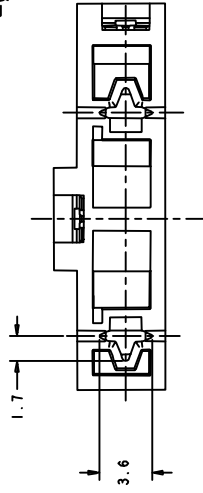
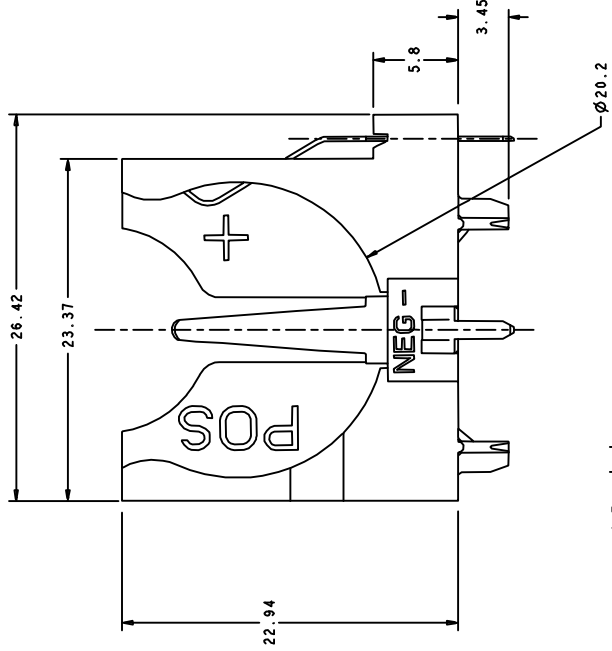
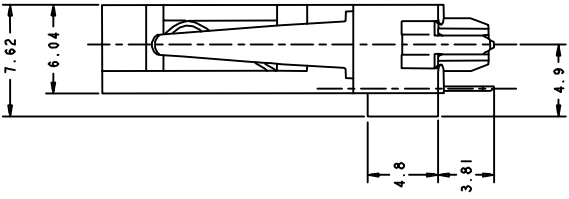




THE DATASHEET OF
6339488-1







PC BOARD LAYOUT VIEWED FROM
COMPONENT SIDE OF BOARD
SCALE 4:1

MP
0
2. C

Looking for pricing, stock, or lifecycle information?

Click below to explore more details on WIN SOURCE:

-  [View 6339488-1 on WIN SOURCE](#)
-  [TE Connectivity Information](#)

Optimize Your Supply Chain with WIN SOURCE Solutions

-  Global Sourcing Solution
-  Obsolete Management
-  Cost Control Management
-  Shortage Management
-  Alternative Solution
-  Excess Inventory Management