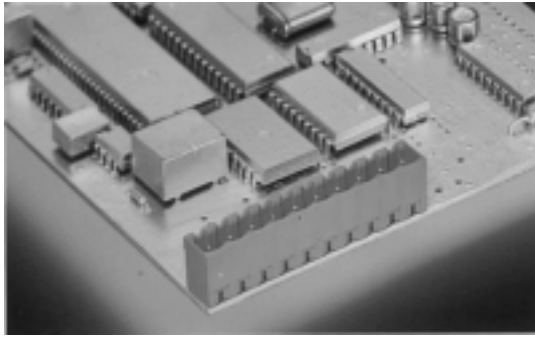




# THE DATASHEET OF EDSTL955/4



**EDSTL955/X (5.0 mm)**  
**EDSTLZ955/X (5.08 mm)**



2-24 poles, Spacing 5.0 mm or 5.08 mm  
 insert required no. of poles **x**  
 How to order see page 5



**Ratings:**

Rated Voltage	<b>300 V</b>	<b>250 V</b>
Rated Current	<b>15 A</b>	<b>12 A (T60)</b>
Rating Impulse Voltage/Dirt Level		<b>4 kV/3</b>

**Dimensions**

Spacing	<b>5.0 mm (5.08 mm)</b>
PCB Hole Diameter	<b>1.4 mm</b>

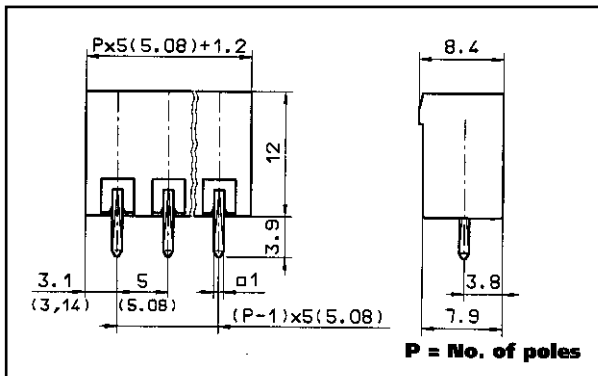
**Materials**

Insulating Material	<b>PA/PBTP</b>
Flammability Class	<b>UL94 V-0</b>
Temperature Range	<b>-30°C/+105°C</b>
Contact	<b>Cu</b>

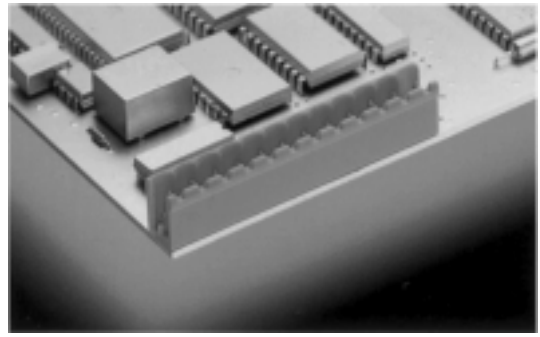
**Color**

Green

**Screw Flange Available**  
 EDSTL956/X (5.0 mm)  
 EDSTLZ956/X (5.08 mm)



**EDSTL955/X-OE (5.0 mm)**  
**EDSTLZ955/X-OE (5.08 mm)**



2-24 poles, Spacing 5.0 mm or 5.08 mm  
 insert required no. of poles **x**  
 How to order see page 5



**Ratings:**

Rated Voltage	<b>300 V</b>	<b>250 V</b>
Rated Current	<b>15 A</b>	<b>12 A (T60)</b>
Rating Impulse Voltage/Dirt Level		<b>4 kV/3</b>

**Dimensions**

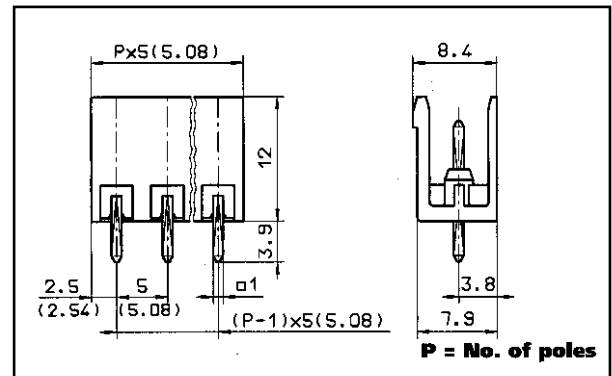
Spacing	<b>5.0 mm (5.08 mm)</b>
PCB Hole Diameter	<b>1.4 mm</b>

**Materials**

Insulating Material	<b>PA/PBTP</b>
Flammability Class	<b>UL94 V-0</b>
Temperature Range	<b>-30°C/+105°C</b>
Contact Pin	<b>Cu</b>



**Color**

Green



## Looking for pricing, stock, or lifecycle information?

Click below to explore more details on WIN SOURCE:

-  [View EDSTL955/4 on WIN SOURCE](#)
-  [On Shore Technology Inc. Information](#)

## Optimize Your Supply Chain with WIN SOURCE Solutions

-  Global Sourcing Solution
-  Obsolete Management
-  Cost Control Management
-  Shortage Management
-  Alternative Solution
-  Excess Inventory Management