



**THE DATASHEET OF
IP4310CX8/P,135**



IP4310CX8/P

Integrated HDMI interface biasing and ESD protection to IEC61000-4-2, level 4

13 October 2009

Product data sheet

1. Product profile

1.1 General description

The IP4310CX8/P is an ESD protection and biasing device for the non-high-speed channels of the HDMI interface. The device provides protection to downstream components from Electrostatic Discharge (ESD) voltages as high as ± 15 kV contact discharge, far exceeding IEC61000-4-2, level 4. The device is fabricated using monolithic silicon technology and integrates three resistors and several low capacitance, high-level ESD-protection diodes in a single *Wafer-Level* chip-scale package. These features make the IP4310CX8/P ideal for use in applications requiring component miniaturization, such as mobile phone handsets.

1.2 Features

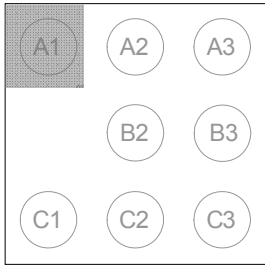
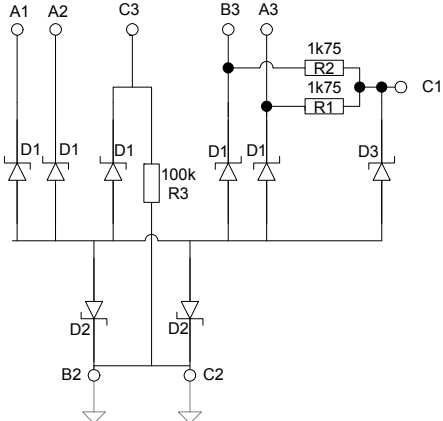
- Pb-free, RoHS compliant and free of Halogen and Antimony (dark green compliant)
- 2 x 1.75 k Ω , 1x 100 k Ω biasing resistors with integrated ESD-protection
- 2 separated back-to-back ESD protection diodes
- Downstream ESD protection up to ± 15 kV (contact) according IEC61000-4-2
- Wafer-Level chip-scale package with 0.4 mm pitch

1.3 Applications

- HDMI non-high-speed interfaces channels in e.g. Cellular and PCS mobile handsets
- DDC, hot plug and CEC line biasing and ESD protection in space constrained appliances

2. Pinning information

Table 1. Pinning IP4310CX8/P

Pin	Description	Simplified outline	Symbol
IP4310CX8/P			
A1	ESD-protection	 <p>Transparent top view WLCSP8</p>	
A2	ESD-protection		
B2, C2	Ground		
C3	Hot plug, ESD-protection		
B3	DDC communication, ESD-protection		
A3	DDC communication, ESD-protection		
C1	Power supply for DDC pull-up resistors		

3. Limiting values

Table 2. Limiting values

Symbol	Parameter	Conditions	Min	Max	Unit
$V_{I/O}$	DC input voltage range for input or output pins		-5.5	+5.5	V
ESD	Electrostatic Discharge All pins to ground (B2&C2)	IEC 61000-4-2, Level 4,			
		Contact	-8 (-15) ¹	+8 (+15) ¹	kV
		Air Discharge	-15	+15	kV
P_{D-ch}	Maximum continuous power dissipation per channel	@ 70 °C		20	mW
T_{stg}	storage temperature range		-55	+150	°C
T_{pk}	Peak solder reflow temperature	10 seconds max.		+260	°C
T_{amb}	Ambient operating temperature		-30	+85	°C

4. Electrical Characteristics

Table 3. Electrical characteristics

$T_{amb} = 25\text{ °C}$ unless otherwise specified.

Symbol	Parameter	Conditions	Min	Typ	Max	Unit
R1, R2	Resistor value		1.575	1.75	1.925	kΩ
R3	Resistor value		80	100	120	kΩ
C_{line}	Line capacitance value All pins to ground (B2, D2)	$V_{dc} = 0\text{ V}$; $f = 100\text{ kHz}$, $V_{ac} = 0.15\text{ V}_{rms}$ all other pins connected to GND				
			8.0	10.0	12.0	pF
		Line capacitance value under HDMI compliance test conditions All pins to ground (B2, D2)	$V_{dc} = 2.5\text{ V}$; $f = 100\text{ kHz}$, $V_{ac} = 3.5\text{ V}_{p-p} = (1.25\text{ V}_{rms})$ all other pins connected to GND			
			4.8	6	7.2	pF
$V_{(BR)}$	Diode breakdown voltage	$I_{test} = 1\text{ mA}$	6	-	11	V
		$I_{test} = -1\text{ mA}$	-11	-	-6	V
I_{lkg}	Diode leakage current ²	$V = +3\text{ V}$	-	-	+50	nA
		$V = -3\text{ V}$	-50	-	-	nA

¹ Device is qualified using 1000 pulses of ±15kV contact discharges each, according to the IEC61000-4-2 model and far exceeds the specified level 4 (8kV contact discharge).

² The leakage for pin C3 cannot be measured due to the 100kΩ resistor. Pins B3, A3 and C1 have to be measured together

5. Application information

5.1 Cross-talk

The setup for cross-talk measurement in a 50 Ω system from one channel to another is shown in Fig 1. Four typical cross-talk measurement results are depicted in Fig 2. Channels not shown there behave similar. Unused channels are terminated with 50 Ω to ground

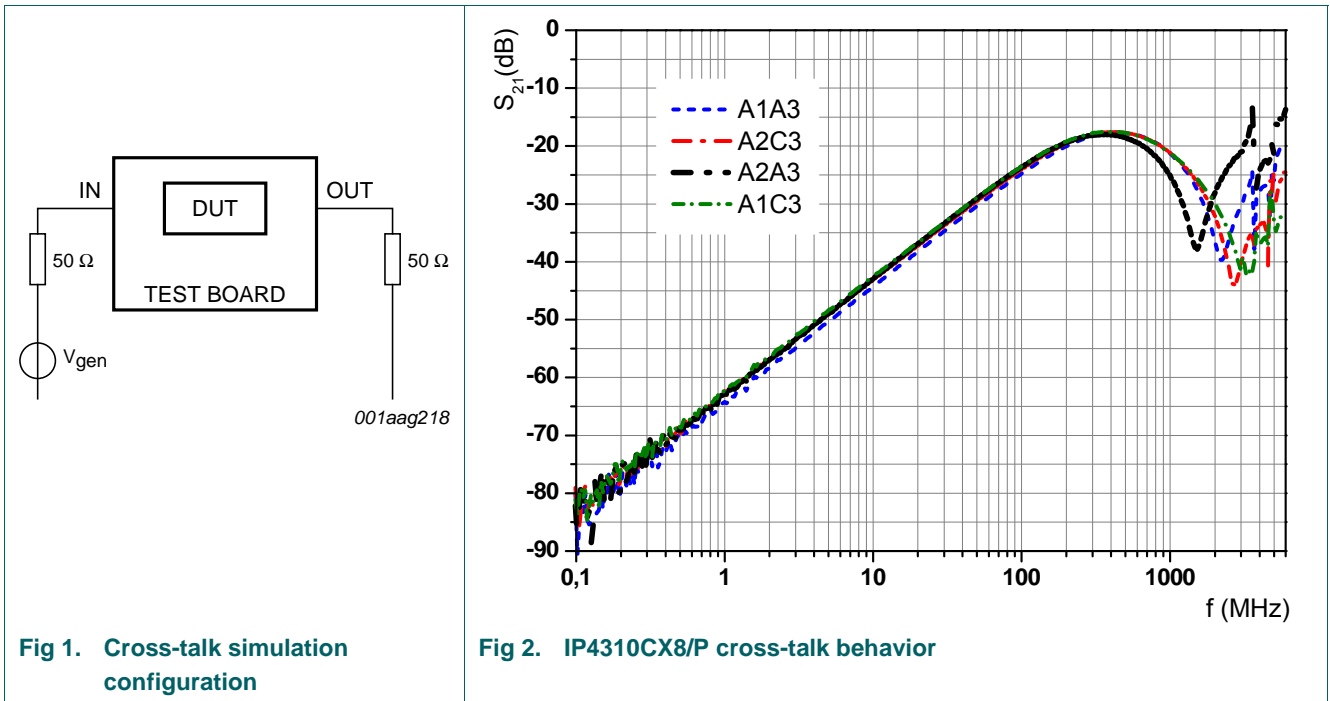


Fig 1. Cross-talk simulation configuration

Fig 2. IP4310CX8/P cross-talk behavior

6. Design/Assembly Recommendations

6.1 PCB Design Guidelines

For the optimum performance, a Non-Solder Mask PCB design (NSMD), also known as a copper-defined design, incorporating laser-drilled micro-vias connecting the ground pads to a buried ground-plane layer is recommended. This results in the lowest possible ground inductance and provides the best high frequency and ESD performance. For this case, the following are the recommended PCB design parameters:

- PCB pad size: 0.20 mm diameter
- Micro-Via diameter: 0.1 mm (0.004")
- Solder Mask opening: 0.37 mm diameter
- Copper thickness: 20-40 μm
- Copper finish: AuNi
- PCB material: FR4

6.2 PCB Assembly Guidelines for Pb-free soldering

The following are recommendations for the assembly of this device:

- Solder Screen Aperture size: 0.33 mm diameter
- Solder Screen thickness: 100 μm (0.004")
- Solder Paste: Pb-free: Sn Ag(3-4) Cu(0.5-0.9)
- Solder/Flux ratio: 50 / 50
- Solder Reflow Profile: see below

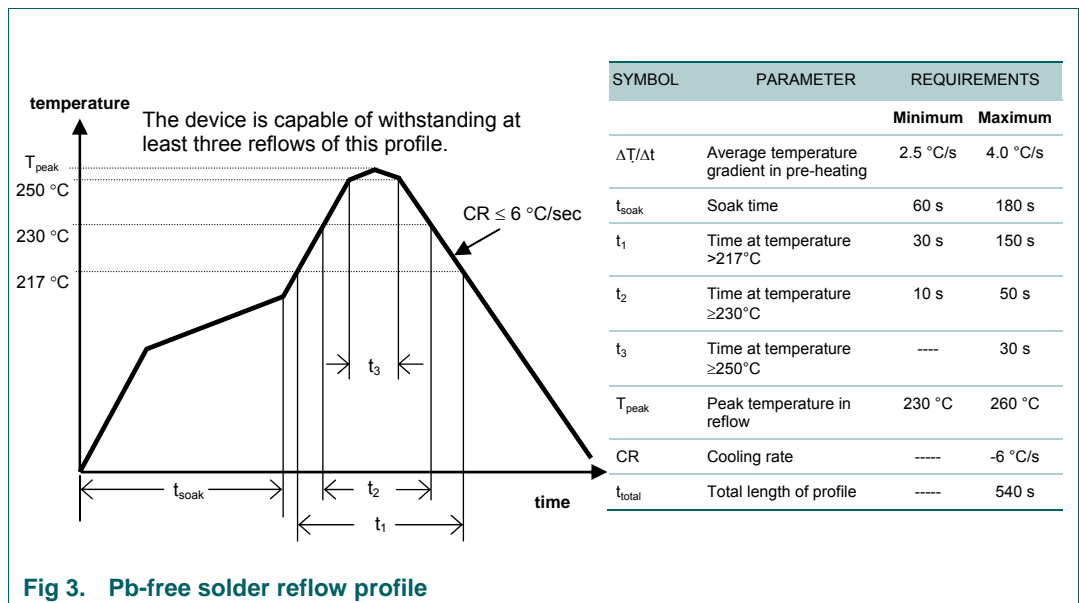


Fig 3. Pb-free solder reflow profile

7. Package outline

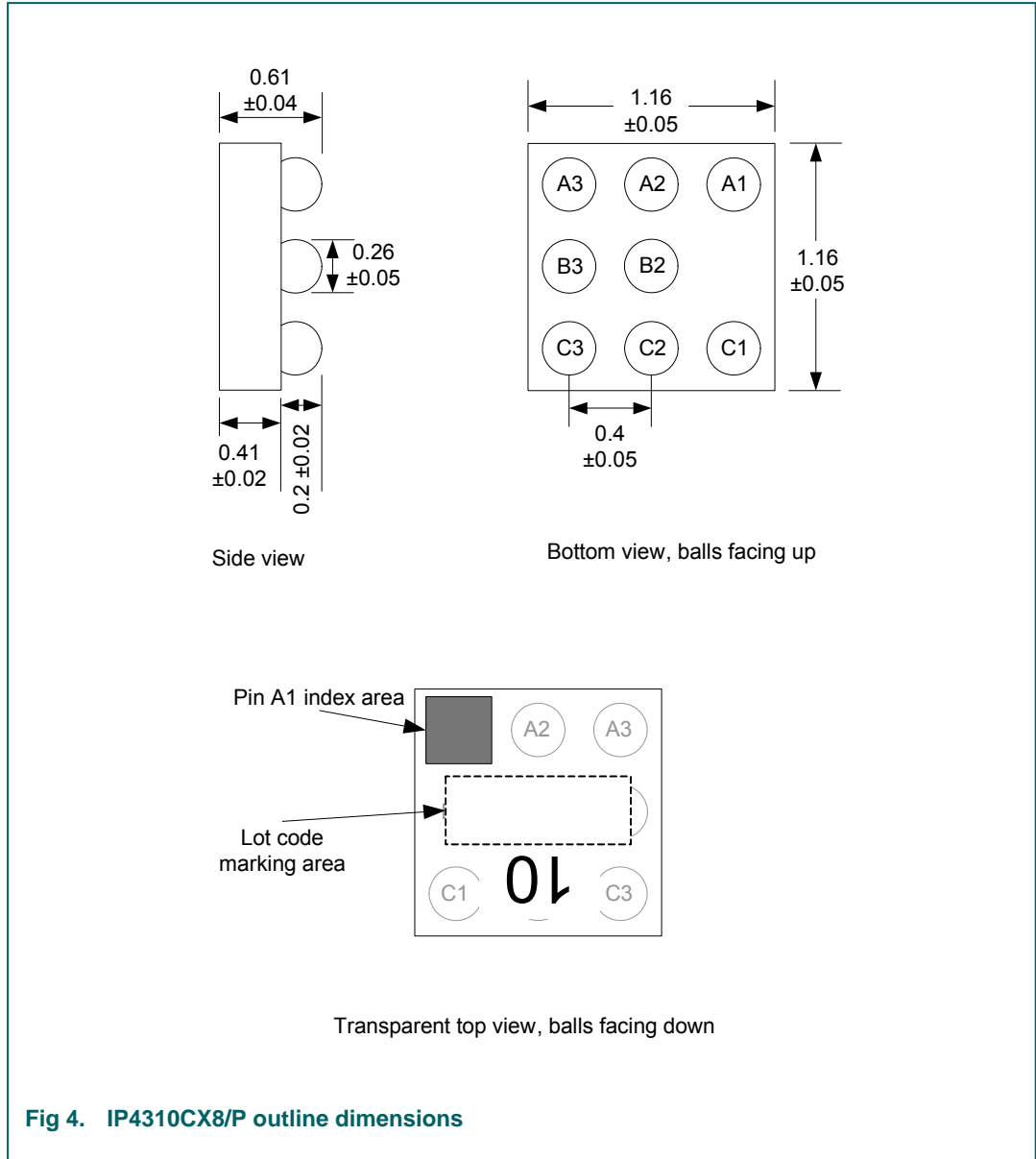


Fig 4. IP4310CX8/P outline dimensions

8. Tape & Reel information

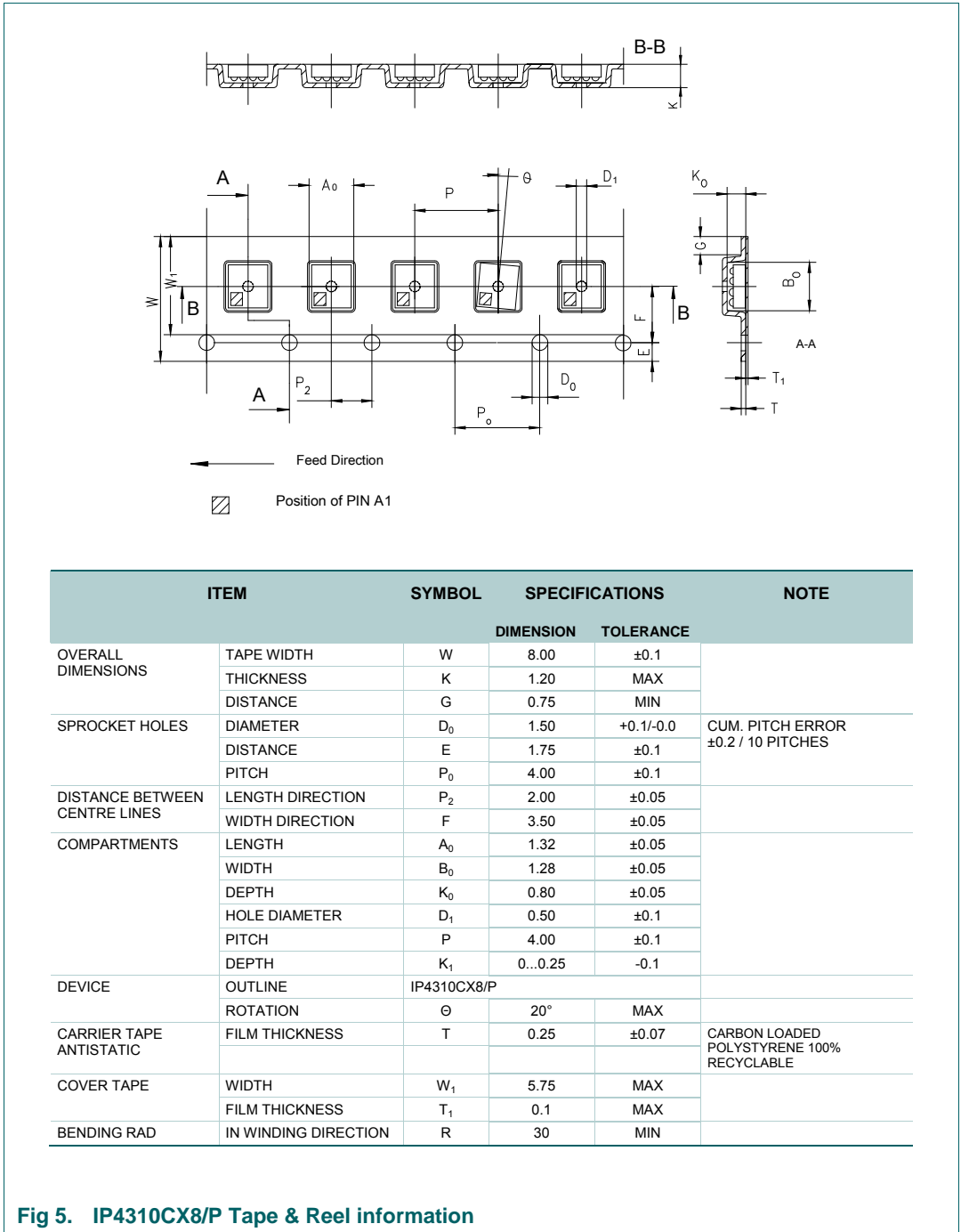


Fig 5. IP4310CX8/P Tape & Reel information

9. Legal information

9.1 Data sheet status

Document status ^{[1],[2]}	Product status ^[3]	Definition
Objective [short] data sheet	Development	This document contains data from the objective specification for product development.
Preliminary [short] data sheet	Qualification	This document contains data from the preliminary specification.
Product [short] data sheet	Production	This document contains the product specification.

[1] Please consult the most recently issued document before initiating or completing a design.

[2] The term 'short data sheet' is explained in section "Definitions".

[3] The product status of device(s) described in this document may have changed since this document was published and may differ in case of multiple devices. The latest product status information is available on the Internet at URL <http://www.nxp.com>.

9.2 Definitions

Draft — The document is a draft version only. The content is still under internal review and subject to formal approval, which may result in modifications or additions. NXP Semiconductors does not give any representations or warranties as to the accuracy or completeness of information included herein and shall have no liability for the consequences of use of such information.

Short data sheet — A short data sheet is an extract from a full data sheet with the same product type number(s) and title. A short data sheet is intended for quick reference only and should not be relied upon to contain detailed and full information. For detailed and full information see the relevant full datasheet, which is available on request via the local NXP Semiconductors sales office. In case of any inconsistency or conflict with the short data sheet, the full data sheet shall prevail.

9.3 Disclaimers

General — Information in this document is believed to be accurate and reliable. However, NXP Semiconductors does not give any representations or warranties, expressed or implied, as to the accuracy or completeness of such information and shall have no liability for the consequences of use of such information.

Right to make changes — NXP Semiconductors reserves the right to make changes to information published in this document, including without limitation specifications and product descriptions, at any time and without notice. This document supersedes and replaces all information supplied prior to the publication hereof.

Suitability for use — NXP Semiconductors products are not designed, authorized or warranted to be suitable for use in medical, military, aircraft, space or life support equipment, nor in applications where failure or

malfunction of a NXP Semiconductors product can reasonably be expected to result in personal injury, death or severe property or environmental damage. NXP Semiconductors accepts no liability for inclusion and/or use of NXP Semiconductors products in such equipment or applications and therefore such inclusion and/or use is for the customer's own risk.

Applications — Applications that are described herein for any of these products are for illustrative purposes only. NXP Semiconductors makes no representation or warranty that such applications will be suitable for the specified use without further testing or modification.

Limiting values — Stress above one or more limiting values (as defined in the Absolute Maximum Ratings System of IEC 60134) may cause permanent damage to the device. Limiting values are stress ratings only and operation of the device at these or any other conditions above those given in the Characteristics sections of this document is not implied. Exposure to limiting values for extended periods may affect device reliability.

Terms and conditions of sale — NXP Semiconductors products are sold subject to the general terms and conditions of commercial sale, as published at <http://www.nxp.com/profile/terms>, including those pertaining to warranty, intellectual property rights infringement and limitation of liability, unless explicitly otherwise agreed to in writing by NXP Semiconductors. In case of any inconsistency or conflict between information in this document and such terms and conditions, the latter will prevail.

No offer to sell or license — Nothing in this document may be interpreted or construed as an offer to sell products that is open for acceptance or the grant, conveyance or implication of any license under any copyrights, patents or other industrial or intellectual property rights.

9.4 Trademarks

Notice: All referenced brands, product names, service names and trademarks are the property of their respective owners.

10. Contact information

For additional information, please visit: <http://www.nxp.com>

For sales office addresses, send an email to: sales.addresses@www.nxp.com

11. Contents

1.	Product profile	1
1.1	General description	1
1.2	Features	1
1.3	Applications.....	1
2.	Pinning information	1
3.	Limiting values	2
4.	Electrical Characteristics	2
5.	Application information	3
5.1	Cross-talk	3
6.	Design/Assembly Recommendations	4
6.1	PCB Design Guidelines.....	4
6.2	PCB Assembly Guidelines for Pb-free soldering	4
7.	Package outline	5
8.	Tape & Reel information	6
9.	Legal information	7
9.1	Data sheet status	7
9.2	Definitions	7
9.3	Disclaimers.....	7
9.4	Trademarks	7
10.	Contact information	7
11.	Contents	8

Please be aware that important notices concerning this document and the product(s) described herein, have been included in the section 'Legal information'.

© NXP B.V. 2006. All rights reserved.

For more information, please visit: <http://www.nxp.com>
 For sales office addresses, email to: sales.addresses@www.nxp.com



Date of release: 13 October 2009

Document identifier: <DOC_ID>



Looking for pricing, stock, or lifecycle information?

Click below to explore more details on WIN SOURCE:

-  [View IP4310CX8/P,135 on WIN SOURCE](#)
-  [Nexperia USA Inc. Information](#)

Optimize Your Supply Chain with WIN SOURCE Solutions

-  Global Sourcing Solution
-  Obsolete Management
-  Cost Control Management
-  Shortage Management
-  Alternative Solution
-  Excess Inventory Management