

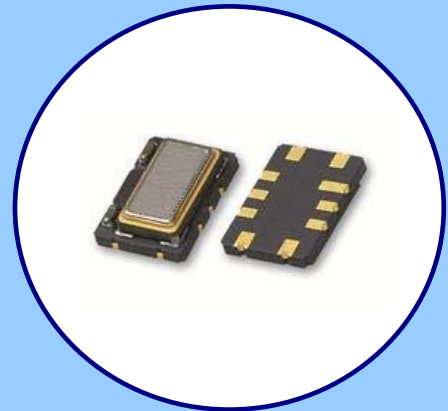


**THE DATASHEET OF
578L128CAT**



FEATURES

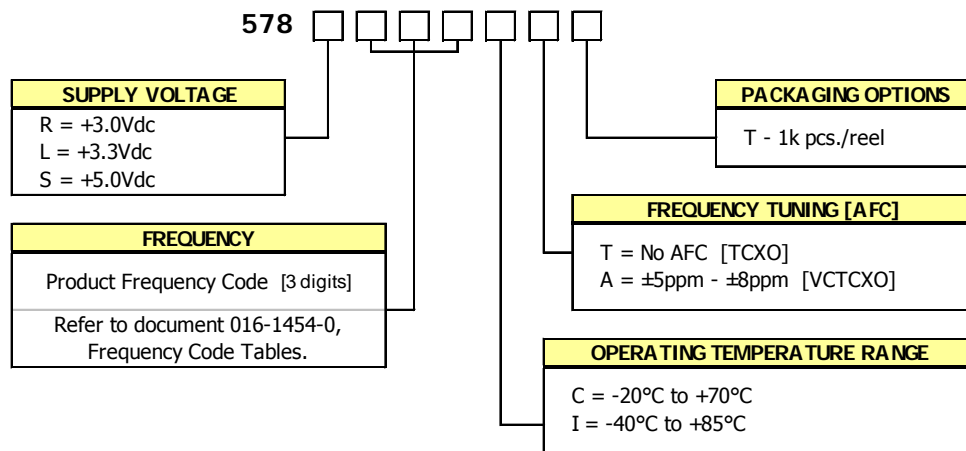
- **Clipped Sine Output**
- **Optional Voltage Control for Frequency Tuning [VCTCXO]**
- 7.0mmx5.0mm Surface Mount Package
- Frequency Range 5 – 52 MHz
- Fundamental Crystal Design
- Operating Voltage, +3.0Vdc, +3.3Vdc or +5.0Vdc
- Overall Frequency Stability ± 4.6 ppm
- Operating Temperature to -40°C to +85°C
- Tape & Reel Packaging Standard, EIA-418
- **RoHS/Green Compliant [6/6]**



APPLICATIONS

The Model 578, a quartz based analog TCXO with Clipped Sine output and optional frequency tuning, is suitable for applications requiring Stratum 3 performance such as base stations, Microcells, Femtocells, 1588 and Synchronous Ethernet timing, wireless communications, test and measurement.

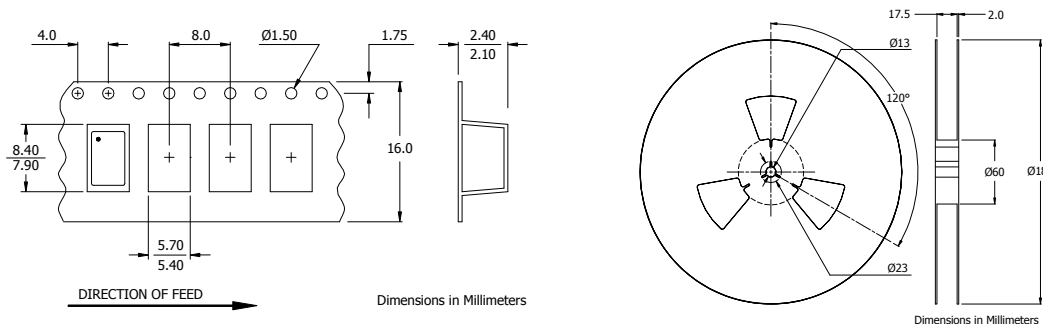
ORDERING INFORMATION



**Not all performance combinations and frequencies may be available.
Contact your local CTS Representative or CTS Customer Service for availability.**

PACKAGING INFORMATION [reference]

Device quantity is 1k pcs. maximum per 180mm reel.

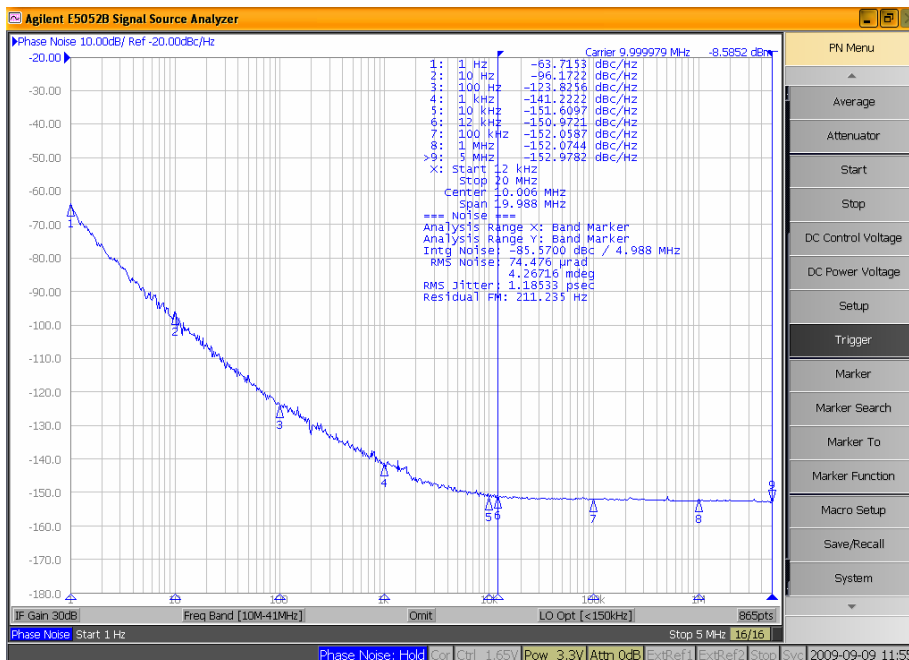


ELECTRICAL CHARACTERISTICS

	PARAMETER	SYMBOL	CONDITIONS	MIN	TYP	MAX	UNIT		
ELECTRICAL PARAMETERS	Maximum Supply Voltage	V _{CC}	-	-0.6	-	6.0	V		
	Maximum Control Voltage	V _C	-	-0.5	-	V _{CC}	V		
	Storage Temperature	T _{STG}	-	-40	-	+100	°C		
	Operating Temperature	T _A	-	-20	+25	+70	°C		
	Order Code 'C'			-40		+85			
	Order Code 'I'								
	Frequency Range	f ₀	-	5	-	52	MHz		
	Supply Voltage	V _{CC}	±5%		2.85	3.0	3.15	V	
	Order Code 'R'				3.14	3.3	3.47		
	Order Code 'L'				4.75	5.0	5.25		
	Order Code 'S'								
	Supply Current	I _{CC}	-	-	-	-	3.5	mA	
	Frequency Stability	Δf/f ₀	Reference to f ₀ , Including 20 years aging @ +25°C, at time of shipment		-	-	4.60	± ppm	
	Overall Frequency Stability				-	-	1.00		
	vs. Initial Calibration				-	-	0.28		
	vs. Operating Temperature				[Fmax. - Fmin.]/2, over -40°C to +85°C	-	-		0.40
	vs. Supply Voltage				±5% change @ +25°C	-	-		0.10
	vs. Load				±5% change	-	-		2.80
	vs. Aging				20 years @ +40°C	-	-		0.37
	Holdover	Δf/f ₀	[Fmax. - Fmin.]/2, over 24 hours	-	-	-	-		
	Control Voltage	V _C	-	0.5	1.5	2.5	V		
	Frequency Tuning [VCTCXO Only]	-	V _C = 1.5V ±1.0V, monotonic positive	5 - 8			± ppm		
	V _C Input Impedance	ZV _C	-	100	-	-	kOhm		
	Output Waveform		AC coupled Clipped Sinewave						
	Output Voltage Levels			0.8	-	-	Vp-p		
	Output Load	R _L // C _L	-	10kOhm // 10pF					
	Output Duty Cycle	SYM	@ 50% Level	45	-	55	%		
	Start Up Time	T _S	-	-	-	2	ms		
Enable Function									
Enable Input Voltage	V _{IH}	Pin 8 Logic '1', Output Enabled	0.7*V _{CC}	-	-	V			
Disable Input Voltage	V _{IL}	Pin 8 Logic '0', Output Disabled [High Imp]	-	-	0.3*V _{CC}				
Phase Noise ¹	-	-				dBc/Hz			

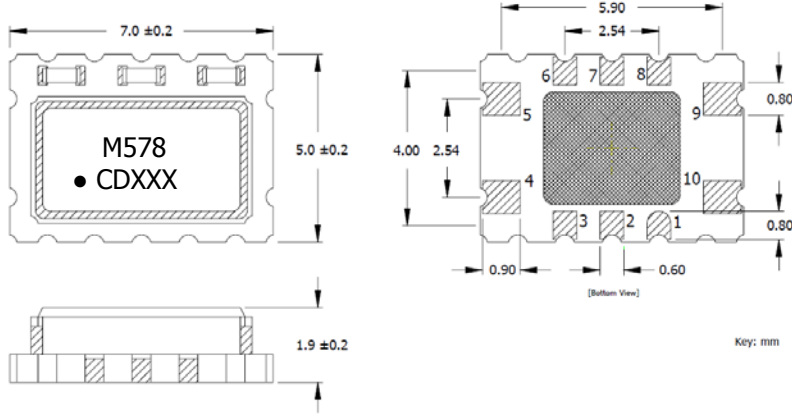
Notes:

1. Phase Noise performance may vary based on output frequency. See example plot at 10 MHz below.



MECHANICAL SPECIFICATIONS

PACKAGE DRAWING



MARKING INFORMATION

1. M578 – CTS Model Series.
 2. ● – Pin 1 identifier.
 3. C – CTS identifier.
 4. D – Date code. See Table II for codes.
 5. xxx – Frequency Code.
- Refer to document 016-1454-0, Frequency Code Tables.

NOTES

1. DO NOT make connections to non-labeled pins. Castellation pins may have internal connections used in the manufacturing process.
2. Termination pads (e4); barrier plating is nickel [Ni] with gold [Au] flash plate.
3. Reflow conditions per JEDEC J-STD-020, 260°C maximum.
4. MSL = 1.

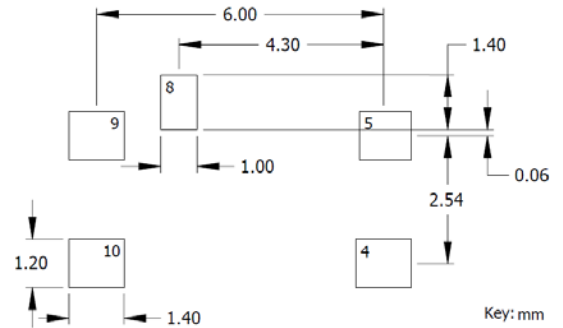
D.U.T. PIN ASSIGNMENTS

PIN	SYMBOL	DESCRIPTION
4	GND	Circuit & Package Ground
5	Output	Clipped Sine Wave Output
8	EOH	Tri-State Enable
9	V _{CC}	Supply Voltage
10	V _C	Control Voltage – VCTCXO [Note 1] GND - TCXO

NOTES

1. Connect to ground for TCXO [no AFC] option.
2. DC-Cut Capacitor Required.
Add 1000pF capacitor between TCXO output and input of load.

SUGGESTED SOLDER PAD GEOMETRY



TEST CIRCUIT – CLIPPED SINE LOAD

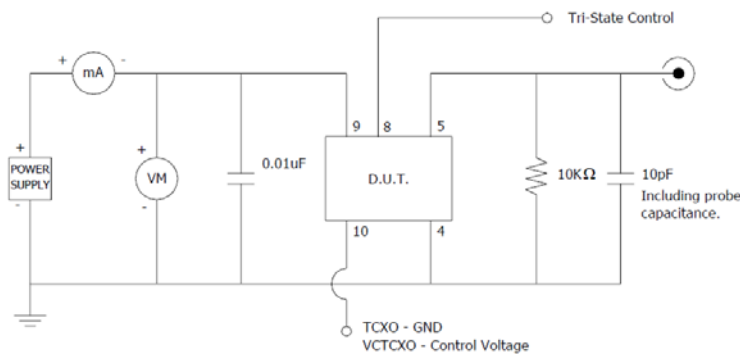




TABLE II – DATE CODE

YEAR		MONTH				JAN	FEB	MAR	APR	MAY	JUN	JUL	AUG	SEP	OCT	NOV	DEC
		2001	2005	2009	2013												
2001	2005	2009	2013	2017	A	B	C	D	E	F	G	H	J	K	L	M	
2002	2006	2010	2014	2018	N	P	Q	R	S	T	U	V	W	X	Y	Z	
2003	2007	2011	2015	2019	a	b	c	d	e	f	g	h	j	k	l	m	
2004	2008	2012	2016	2020	n	p	q	r	s	t	u	v	w	x	y	z	

Looking for pricing, stock, or lifecycle information?

Click below to explore more details on WIN SOURCE:

-  [View 578L128CAT on WIN SOURCE](#)
-  [CTS-Frequency Controls Information](#)

Optimize Your Supply Chain with WIN SOURCE Solutions

-  Global Sourcing Solution
-  Obsolete Management
-  Cost Control Management
-  Shortage Management
-  Alternative Solution
-  Excess Inventory Management