



**THE DATASHEET OF  
ZXLD381FHTA**



**ZXLD381**  
**SINGLE OR MULTI CELL LED DRIVER SOLUTION**

**Summary**

The ZXLD381 is a single cell LED driver designed for applications where step-up voltage conversion from a very low input voltage is required. These applications mainly operate from 1.5V or 1.2V cells. The IC generates constant current pulses that are ideal for driving single or multiple LEDs over a wide range of operating voltages.

The ZXLD381 uses a PFM control technique to drive an internal switching transistor which a low saturation resistance. This ensures high efficiency, even for input voltages as low as 1V.

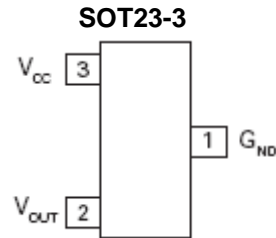
The IC can start up under full load and operates down to an input voltage of only 0.9V.

The ZXLD381 is offered in the space saving SOT23 package or in die form, offering an excellent cost vs performance solution for single cell LED driving applications.

**Features**

- 85% Efficiency
- User adjustable output current
- Single cell operation (0.9V minimum)
- Low saturation voltage switching transistor
- SOT23-3 package
- Available also in Die form
- Simple Application circuit

**Pin Assignments**

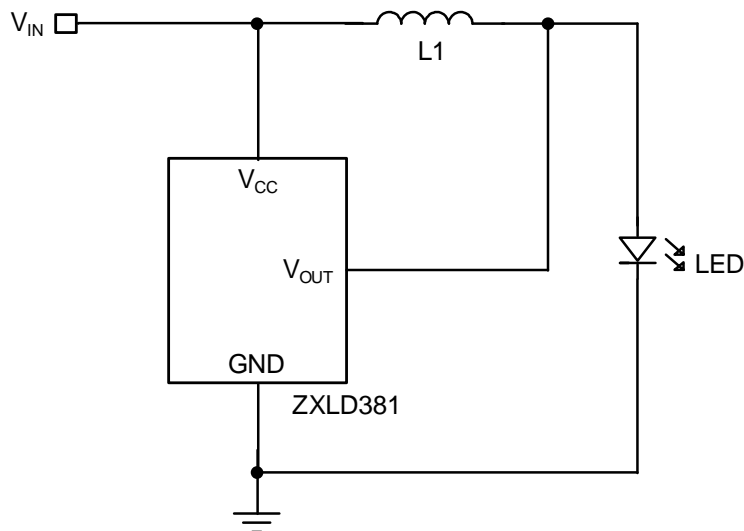


(Top View)

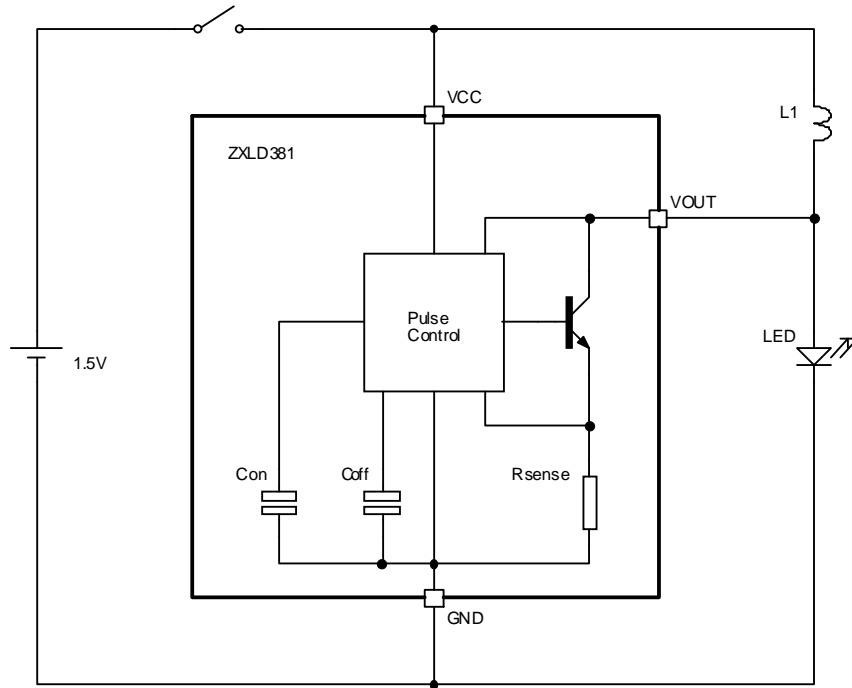
**Application**

- LED flashlights and torches
- LED backlights
- White LED driver

**Typical Application Circuit**



**Block Diagram**



**Fig 1. ZXLD381 Block Diagram**

**Pin Description**

Pin No.	Name	Description
1	GND	Ground
2	V <sub>OUT</sub>	Switch output external inductor/LED
3	V <sub>CC</sub>	Supply voltage, generally Alkaline, NiMH or NiCd single cell

## Absolute Maximum Ratings

Parameter	Rating	Unit
Supply Voltage ( $V_{CC}$ )	-0.6 to 10	V
Output Voltage ( $V_{OUT}$ )	-0.6 to 20	V
Supply Current	20	mA
Output Switch Current	800	mA
Power Dissipation SOT23-3	450	mW
Power Dissipation Die	1	W
Operating Temperature Range	0 to 85	°C
Storage Temperature Range	-55 to 150	°C

## Electrical Characteristics Measured at $T_{AMB} = 25^{\circ}\text{C}$ , $L = 4.7\mu\text{H}$ and $V_{CC} = 1.5\text{V}$ unless otherwise specified.

Parameter	Conditions	Limits			Units
		Min	Typ.	Max	
Supply Voltage Operating Range	$L = 10\mu\text{H}$	0.9		2.2	V
Minimum Supply Start-up Voltage	$L = 10\mu\text{H}$		0.8	0.9	V
Switch Current	At turn-off	250	320	400	mA
Switch Saturation Voltage	$I_{OUT} = 200\text{mA}$		100	300	mV
Switch Leakage Current	$V_{OUT} = 20\text{V}$	40	70	120	$\mu\text{A}$
Mean LED Current	$V_{LED} = 3.5\text{V}$	40	55	70	mA
Efficiency	$V_{LED} = 3.5\text{V}$		85		%
Operating Frequency	$V_{LED} = 3.5\text{V}$		350		kHz
Discharge Pulse Width		0.7	1.5	2.5	$\mu\text{s}$

---

## Device Description

---

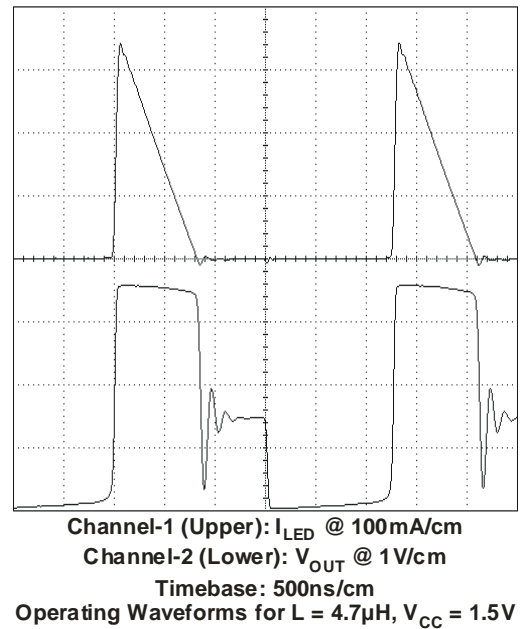
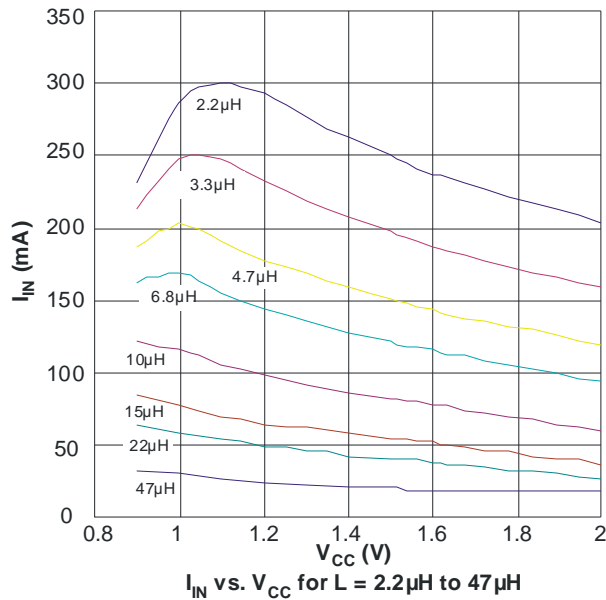
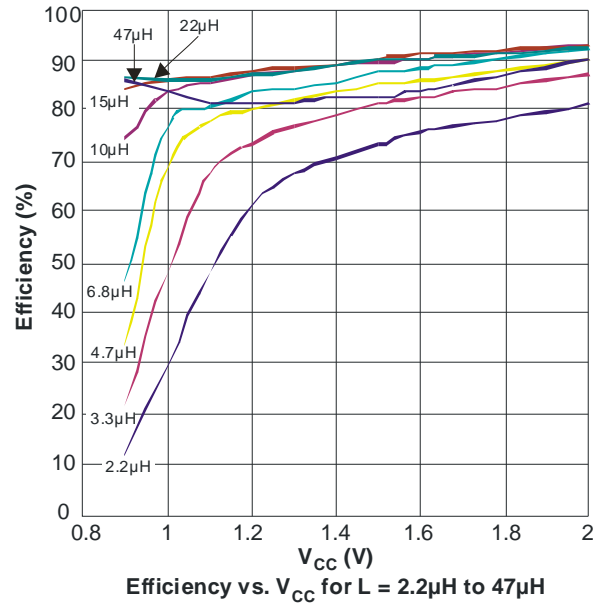
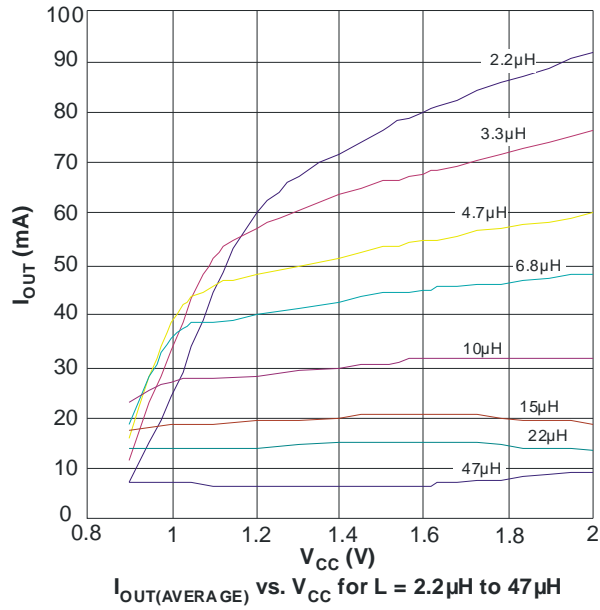
The ZXLD381 is a simple PFM, DC-DC controller combined with a high performance internal switching transistor, enabling the production of a high efficiency boost converter for use in single cell applications. A block diagram is shown for the ZXLD381 in Fig 1.

When power is applied, an oscillator within the pulse control block forces the internal switching transistor to switch on to start an energy charge cycle. The low saturation voltage switch pulls the  $V_{OUT}$  pin close to ground which forces the supply voltage across the external inductor L1. This causes a current to build up, storing energy in the inductor. During this phase, switch current and supply voltage are monitored and used by the pulse control circuit to determine the optimum drive conditions and on-time. At the end of the energy charge cycle, the internal switch is turned off rapidly, interrupting the current flow through L1 which causes the voltage on  $V_{OUT}$  to rise dramatically. When the voltage on  $V_{OUT}$  reaches the load LED's forward (on) voltage, the inductor current is transferred from the internal switch to the LED, starting the energy discharge cycle. With the voltage across the inductor reversed, the current flowing through it (and the LED) now falls. When the inductor current reaches zero, the voltage on the  $V_{OUT}$  pin falls back towards  $V_{CC}$ . This action is sensed by the pulse control circuit, which initiates the next energy charge cycle. Except for low level losses, all the energy stored in the inductor during a charge cycle will be channeled to the load LED during the following discharge cycle.

The current fed into the load LED has a sawtooth waveform, the average (DC) value of which is kept constant by the pulse control circuit for varying supply voltage and temperature. It is possible to change the output current given by the ZXLD381 by changing the value of inductor L1. The larger the inductance of L1, the lower the output current. A table/graph showing the relationship between inductance and output current is given later in this datasheet. Since the output current of the ZXLD381 is a sawtooth waveform, its peak value is substantially larger than the DC/average value. The table also provides this data.

The internal switching transistor has a minimum collector-emitter breakdown voltage of 20V and this sets the maximum load voltage allowable. The minimum value is set by a feature of the pulse control circuit that requires the load voltage to be at least 0.8V greater than  $V_{CC}$ . (The device will function with load voltages smaller than this but output current regulation will be impaired.) Higher than nominal load voltages will lower the average (DC) output current generated for a given inductor value.

**Typical Characteristics**

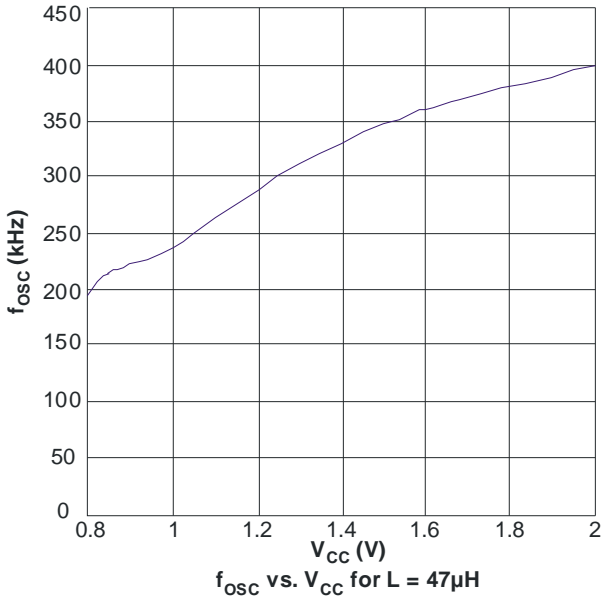


Notes:  $V_{LED} = 3.5V$  for all graphs

---

### Typical Characteristics (Cont.)

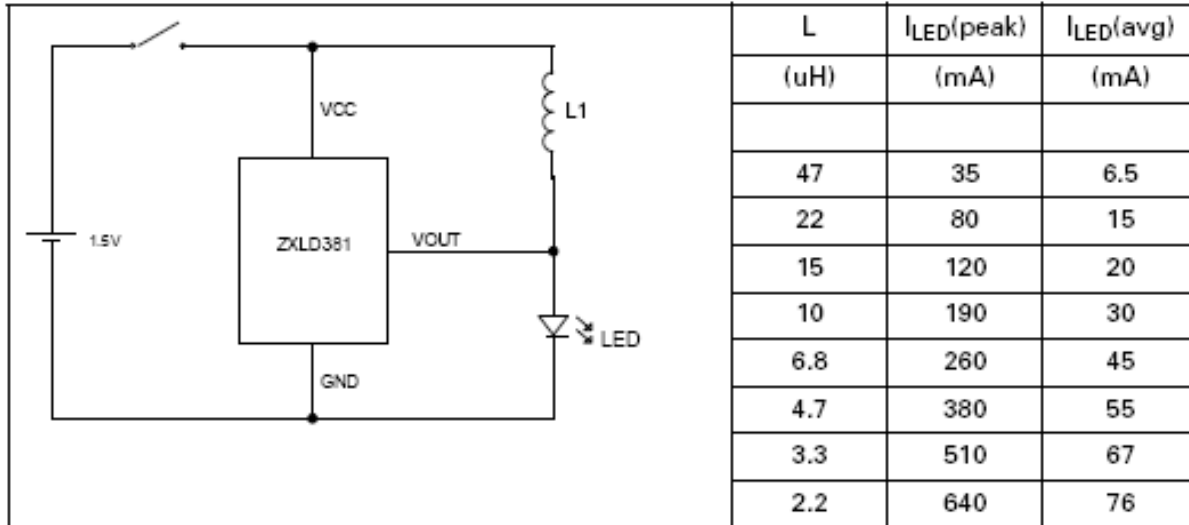
---



Notes:  $V_{LED} = 3.5V$  for all graphs

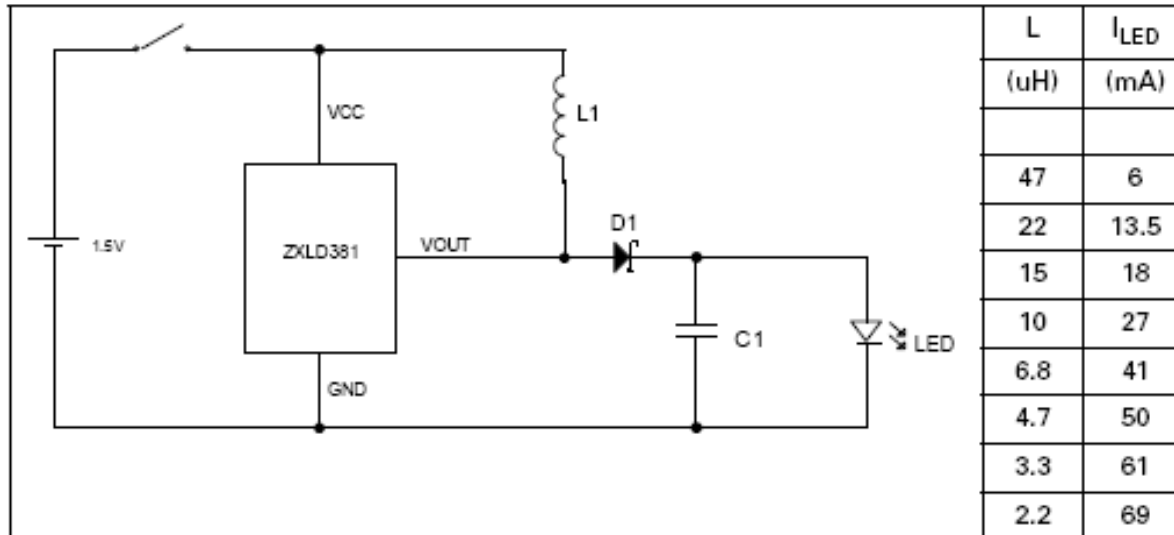
## Application Examples

### Standard Operating Mode



Notes:  $V_{LED} = 3.5V$

### Low Ripple LED Current Mode

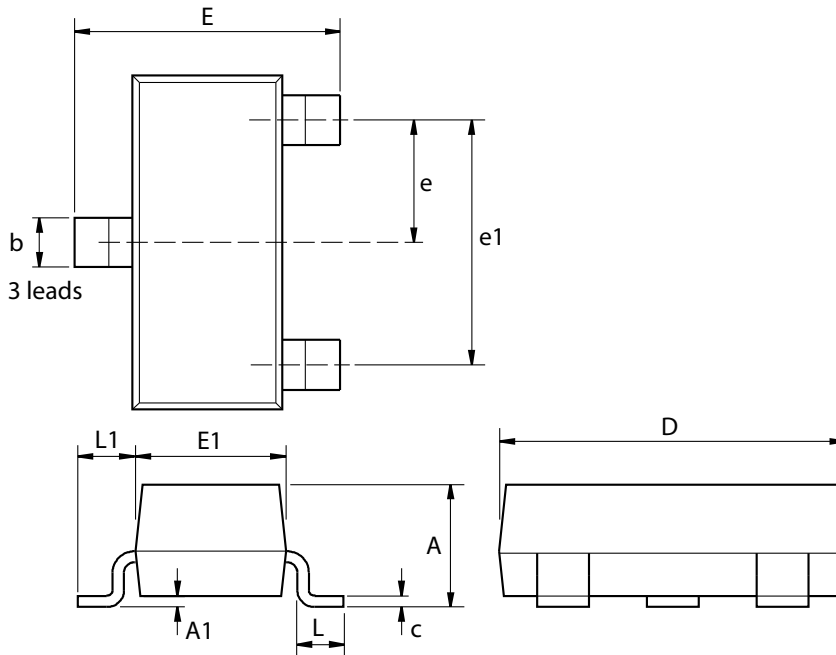


Notes:  $V_{LED} = 3.5V$ , D1 = ZHCS1000, C1 = 1F (low ESR)

**Ordering Information**

Part Number	Package	Part Mark	Tape Width (mm)	Quantity (per reel)
ZXLD381FHTA	SOT23	381	8	3000

**Package Outline Dimensions**



Dim.	Millimeters		Inches		Dim.	Millimeters		Inches	
	Min.	Max.	Min.	Max.		Min.	Max.	Min.	Max.
A	-	1.12	-	0.044	e1	1.90 NOM		0.075 NOM	
A1	0.01	0.10	0.0004	0.004	E	2.10	2.64	0.083	0.104
b	0.30	0.50	0.012	0.020	E1	1.20	1.40	0.047	0.055
c	0.085	0.20	0.003	0.008	L	0.25	0.60	0.0098	0.0236
D	2.80	3.04	0.110	0.120	L1	0.45	0.62	0.018	0.024
e	0.95 NOM		0.037 NOM		-	-	-	-	-

#### IMPORTANT NOTICE

DIODES INCORPORATED MAKES NO WARRANTY OF ANY KIND, EXPRESS OR IMPLIED, WITH REGARDS TO THIS DOCUMENT, INCLUDING, BUT NOT LIMITED TO, THE IMPLIED WARRANTIES OF MERCHANTABILITY AND FITNESS FOR A PARTICULAR PURPOSE (AND THEIR EQUIVALENTS UNDER THE LAWS OF ANY JURISDICTION).

Diodes Incorporated and its subsidiaries reserve the right to make modifications, enhancements, improvements, corrections or other changes without further notice to this document and any product described herein. Diodes Incorporated does not assume any liability arising out of the application or use of this document or any product described herein; neither does Diodes Incorporated convey any license under its patent or trademark rights, nor the rights of others. Any Customer or user of this document or products described herein in such applications shall assume all risks of such use and will agree to hold Diodes Incorporated and all the companies whose products are represented on Diodes Incorporated website, harmless against all damages.

Diodes Incorporated does not warrant or accept any liability whatsoever in respect of any products purchased through unauthorized sales channel. Should Customers purchase or use Diodes Incorporated products for any unintended or unauthorized application, Customers shall indemnify and hold Diodes Incorporated and its representatives harmless against all claims, damages, expenses, and attorney fees arising out of, directly or indirectly, any claim of personal injury or death associated with such unintended or unauthorized application.

Products described herein may be covered by one or more United States, international or foreign patents pending. Product names and markings noted herein may also be covered by one or more United States, international or foreign trademarks.

#### LIFE SUPPORT

Diodes Incorporated products are specifically not authorized for use as critical components in life support devices or systems without the express written approval of the Chief Executive Officer of Diodes Incorporated. As used herein:

A. Life support devices or systems are devices or systems which:

1. are intended to implant into the body, or
2. support or sustain life and whose failure to perform when properly used in accordance with instructions for use provided in the labeling can be reasonably expected to result in significant injury to the user.

B. A critical component is any component in a life support device or system whose failure to perform can be reasonably expected to cause the failure of the life support device or to affect its safety or effectiveness.

Customers represent that they have all necessary expertise in the safety and regulatory ramifications of their life support devices or systems, and acknowledge and agree that they are solely responsible for all legal, regulatory and safety-related requirements concerning their products and any use of Diodes Incorporated products in such safety-critical, life support devices or systems, notwithstanding any devices- or systems-related information or support that may be provided by Diodes Incorporated. Further, Customers must fully indemnify Diodes Incorporated and its representatives against any damages arising out of the use of Diodes Incorporated products in such safety-critical, life support devices or systems.

Copyright © 2010, Diodes Incorporated

[www.diodes.com](http://www.diodes.com)

## Looking for pricing, stock, or lifecycle information?

Click below to explore more details on WIN SOURCE:

- ⊖ [View ZXLD381FHTA on WIN SOURCE](#)
- ⊖ [Diodes Incorporated Information](#)

## Optimize Your Supply Chain with WIN SOURCE Solutions

- ✓ Global Sourcing Solution
- ✓ Obsolete Management
- ✓ Cost Control Management
- ✓ Shortage Management
- ✓ Alternative Solution
- ✓ Excess Inventory Management