



**THE DATASHEET OF  
ZL88702LDF1**



## Features

- **Next Generation ZL880 VoicePort Family with Enhanced Features and Performance**
  - Same API interface as the *VE880 Series*
  - 35% lower BOM cost than previous generation
- **Complete BORSCHT Functions for Two FXS Channels in a Single 64-Pin QFN Package**
  - **B**attery feed, **O**ver-voltage support, integrated **R**inging, line **S**upervision, **C**odec, **H**ybrid (2W/4W), and **T**est
- **Integrated Power Management**
  - Switching power supply tracks line voltage minimizing active and ringing power dissipation
  - Low Power Idle Mode with 45 mW consumption
  - Internal FET drive circuit for lower BOM count
  - Integrated real-time power monitoring tool
- **Ringing**
  - 5 REN with pin for pin compatible 100-V (ZL88701) and 150-V (ZL88702) devices
  - Up to 140- $V_{PK}$  internal sinusoidal or trapezoidal ringing with programmable DC offset
  - Adaptive ringing for lower power
- **Worldwide Programmability**
  - Input impedance, balance impedance, gain
  - DC feed voltage and current limit
  - Ringing frequency, voltage and current limit
  - G.711  $\mu$ -law, A-law, or 16 bit linear coding
  - Call progress tone and Caller ID generation
  - Sample coefficients for more than 70 countries
- **Pin-Selectable PCM/MPI or ZSI Interfaces**
  - SPI Mode 0 and 3 support and no inter byte  $\overline{CS}$  off time. Also supports legacy MPI Interface.
  - ZSI Mode for a smaller number of interface signals to the host and less expensive isolation
- **VoicePath SDK and VP-API-II Software Available to Implement FXS Functions**
- **VeriVoice Software Suites Available for Manufacturing and Subscriber Loop Testing**
  - Utilizes integrated test tool box

142170

June 2012

## Ordering Information

Device OPN <sup>1</sup>	Device Type	Package	Packing
ZL88701LDF1	100V-Tracker	64-pin QFN (9x9)	Tape & Reel
ZL88701LDG1	100V-Tracker	64-pin QFN (9x9)	Tray
ZL88702LDF1	150V-Tracker	64-pin QFN (9x9)	Tape & Reel
ZL88702LDG1	150V-Tracker	64-pin QFN (9x9)	Tray

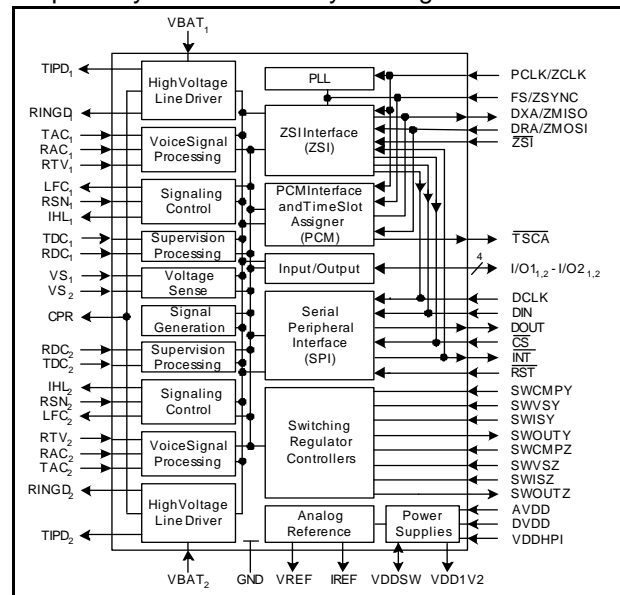
1. The Green package meets RoHS Directive 2002/95/EC of the European Council to minimize the environmental impact of electrical equipment.

## Applications

- **DSL Residential Gateways and Integrated Access Devices (IADs)**
- **Cable eMTAs**
- **PON Single Family Units (SFUs)**
- **Fiber to the Premise/Home/Building (FTTx) Multiple Dwelling Units (MDUs)**

## Description

The Microsemi® ZL88701/702 Dual Channel Tracking Battery Wideband VoicePort Device provides complete BORSCHT functions for two telephone line FXS ports. This device is part of the new *ZL880 Series* featuring enhanced functionality, lower BOM cost, and greater power efficiency, while maintaining software compatibility with the industry leading *VE880 Series*.



**VoicePort Device Block Diagram**



## Looking for pricing, stock, or lifecycle information?

Click below to explore more details on WIN SOURCE:

- ⊖ [View ZL88702LDF1 on WIN SOURCE](#)
- ⊖ [Microsemi Corporation](#) Information

## Optimize Your Supply Chain with WIN SOURCE Solutions

- ✓ Global Sourcing Solution
- ✓ Obsolete Management
- ✓ Cost Control Management
- ✓ Shortage Management
- ✓ Alternative Solution
- ✓ Excess Inventory Management