



**THE DATASHEET OF  
Z8F0812SJ020SG**



**zilog**<sup>®</sup>

*Embedded in Life*

An  IXYS Company

**High Performance 8-Bit Microcontrollers**

**Z8 Encore! XP<sup>®</sup> F0822  
Series**

**Product Specification**

PS022518-1011



**Warning:** DO NOT USE THIS PRODUCT IN LIFE SUPPORT SYSTEMS.

---

## LIFE SUPPORT POLICY

ZILOG'S PRODUCTS ARE NOT AUTHORIZED FOR USE AS CRITICAL COMPONENTS IN LIFE SUPPORT DEVICES OR SYSTEMS WITHOUT THE EXPRESS PRIOR WRITTEN APPROVAL OF THE PRESIDENT AND GENERAL COUNSEL OF ZILOG CORPORATION.

### As used herein

Life support devices or systems are devices which (a) are intended for surgical implant into the body, or (b) support or sustain life and whose failure to perform when properly used in accordance with instructions for use provided in the labeling can be reasonably expected to result in a significant injury to the user. A critical component is any component in a life support device or system whose failure to perform can be reasonably expected to cause the failure of the life support device or system or to affect its safety or effectiveness.

### Document Disclaimer

©2011 Zilog, Inc. All rights reserved. Information in this publication concerning the devices, applications, or technology described is intended to suggest possible uses and may be superseded. ZILOG, INC. DOES NOT ASSUME LIABILITY FOR OR PROVIDE A REPRESENTATION OF ACCURACY OF THE INFORMATION, DEVICES, OR TECHNOLOGY DESCRIBED IN THIS DOCUMENT. ZILOG ALSO DOES NOT ASSUME LIABILITY FOR INTELLECTUAL PROPERTY INFRINGEMENT RELATED IN ANY MANNER TO USE OF INFORMATION, DEVICES, OR TECHNOLOGY DESCRIBED HEREIN OR OTHERWISE. The information contained within this document has been verified according to the general principles of electrical and mechanical engineering.

Z8, Z8 Encore!, Z8 Encore! XP and Z8 Encore! MC are trademarks or registered trademarks of Zilog, Inc. All other product or service names are the property of their respective owners.

# Revision History

Each instance in Revision History reflects a change to this document from its previous revision. For more details, refer to the corresponding pages and appropriate links in the table below.

| Date     | Revision Level | Description  | Page  |
|----------|----------------|--|---|
| Oct 2011 | 18             | Added LDWX information to Load Instructions table, eZ8 CPU Instruction Summary table and to Second Op Code Map after 1FH figure; revised Flash Sector Protect Register description; revised Packaging chapter. | <a href="#">206</a> , <a href="#">212</a> ,<br><a href="#">220</a> , <a href="#">152</a> ,<br><a href="#">221</a> |
| May 2008 | 17             | Removed <i>Flash Microcontrollers</i> from the title throughout the document.  | All   |
| Feb 2008 | 16             | Updated the flag status for BCLR, BIT, and BSET in eZ8 CPU Instruction Summary table.  | <a href="#">208</a>   |
| Dec 2007 | 15             | Updated Zilog logo/text, Foreword section. Updated Z8 Encore! 8K Series to Z8 Encore! XP <sup>®</sup> F0822 Series Flash Microcontrollers throughout the document.   | All   |

## Table of Contents

|  |       |
|--|-------|
| Revision History .....                   | .iii  |
| List of Figures .....                    | .xi   |
| List of Tables .....                     | .xiii |
| Introduction .....                       | 1     |
| Features .....                           | 1     |
| Part Selection Guide .....               | 2     |
| Block Diagram .....                      | 3     |
| CPU and Peripheral Overview .....        | 4     |
| General Purpose Input/Output .....       | 4     |
| Flash Controller .....                   | 4     |
| 10-Bit Analog-to-Digital Converter ..... | 5     |
| UART .....                               | 5     |
| I2C .....                                | 5     |
| Serial Peripheral Interface .....        | 5     |
| Timers .....                             | 5     |
| Interrupt Controller .....               | 5     |
| Reset Controller .....                   | 5     |
| On-Chip Debugger .....                   | 6     |
| Signal and Pin Descriptions .....        | 7     |
| Available Packages .....                 | 7     |
| Pin Configurations .....                 | 7     |
| Signal Descriptions .....                | 10    |
| Pin Characteristics .....                | 13    |
| Address Space .....                      | 14    |
| Register File .....                      | 14    |
| Program Memory .....                     | 15    |
| Data Memory .....                        | 15    |
| Information Area .....                   | 15    |
| Register File Address Map .....          | 17    |
| Reset and Stop Mode Recovery .....       | 21    |
| Reset Types .....                        | 21    |
| System Reset .....                       | 21    |
| Reset Sources .....                      | 22    |
| Power-On Reset .....                     | 22    |
| Voltage Brown-Out Reset .....            | 23    |
| Watchdog Timer Reset .....               | 24    |

|   |    |
|---|----|
| External Pin Reset .....                                  | 24 |
| On-Chip Debugger Initiated Reset .....                    | 25 |
| Stop Mode Recovery .....                                  | 25 |
| Stop Mode Recovery Using WDT Time-Out .....               | 26 |
| Stop Mode Recovery Using a GPIO Port Pin Transition ..... | 26 |
| Low-Power Modes .....                                     | 27 |
| STOP Mode .....   | 27 |
| HALT Mode .....   | 27 |
| General-Purpose Input/Output .....                        | 29 |
| GPIO Port Availability by Device .....                    | 29 |
| Architecture .....  | 29 |
| GPIO Alternate Functions .....                            | 29 |
| GPIO Interrupts .....                                     | 31 |
| GPIO Control Register Definitions .....                   | 31 |
| Port A–C Address Registers .....                          | 32 |
| Port A–C Control Registers .....                          | 33 |
| Port A–C Input Data Registers .....                       | 38 |
| Port A–C Output Data Register .....                       | 39 |
| Interrupt Controller .....                                | 40 |
| Interrupt Vector Listing .....                            | 40 |
| Architecture .....  | 42 |
| Operation .....   | 42 |
| Master Interrupt Enable .....                             | 42 |
| Interrupt Vectors and Priority .....                      | 43 |
| Interrupt Assertion .....                                 | 43 |
| Software Interrupt Assertion .....                        | 44 |
| Interrupt Control Register Definitions .....              | 45 |
| Interrupt Request 0 Register .....                        | 45 |
| Interrupt Request 1 Register .....                        | 46 |
| Interrupt Request 2 Register .....                        | 47 |
| IRQ0 Enable High and Low Bit Registers .....              | 48 |
| IRQ1 Enable High and Low Bit Registers .....              | 49 |
| IRQ2 Enable High and Low Bit Registers .....              | 51 |
| Interrupt Edge Select Register .....                      | 52 |
| Interrupt Control Register .....                          | 53 |
| Timers .....  | 54 |
| Architecture .....  | 55 |
| Operation .....   | 55 |
| Timer Operating Modes .....                               | 55 |
| Reading the Timer Count Values .....                      | 64 |

|  |    |
|--|----|
| Timer Output Signal Operation .....                            | 64 |
| Timer Control Register Definitions .....                       | 64 |
| Timer 0–1 High and Low Byte Registers .....                    | 64 |
| Timer Reload High and Low Byte Registers .....                 | 65 |
| Timer 0–1 PWM High and Low Byte Registers .....                | 66 |
| Timer 0–3 Control 0 Registers .....                            | 67 |
| Timer 0–1 Control 1 Registers .....                            | 68 |
| Watchdog Timer .....   | 70 |
| Operation .....  | 70 |
| Watchdog Timer Refresh .....                                   | 71 |
| Watchdog Timer Time-Out Response .....                         | 71 |
| Watchdog Timer Reload Unlock Sequence .....                    | 73 |
| Watchdog Timer Control Register Definitions .....              | 73 |
| Watchdog Timer Control Register .....                          | 73 |
| Watchdog Timer Reload Upper, High and Low Byte Registers ..... | 75 |
| Universal Asynchronous Receiver/Transmitter .....              | 77 |
| Architecture .....   | 77 |
| Operation .....  | 78 |
| Transmitting Data using Polled Method .....                    | 79 |
| Transmitting Data Using Interrupt-Driven Method .....          | 80 |
| Receiving Data using the Polled Method .....                   | 81 |
| Receiving Data Using Interrupt-Driven Method .....             | 82 |
| Clear To Send Operation .....                                  | 83 |
| Multiprocessor (9-Bit) Mode .....                              | 83 |
| External Driver Enable .....                                   | 85 |
| UART Interrupts .....  | 86 |
| UART Baud Rate Generator .....                                 | 88 |
| UART Control Register Definitions .....                        | 88 |
| UART Transmit Data Register .....                              | 88 |
| UART Receive Data Register .....                               | 89 |
| UART Status 0 Register .....                                   | 90 |
| UART Status 1 Register .....                                   | 91 |
| UART Control 0 and Control 1 Registers .....                   | 92 |
| UART Address Compare Register .....                            | 94 |
| UART Baud Rate High and Low Byte Registers .....               | 95 |
| Infrared Encoder/Decoder .....                                 | 97 |
| Architecture .....   | 97 |
| Operation .....  | 97 |
| Transmitting IrDA Data .....                                   | 98 |
| Receiving IrDA Data .....                                      | 99 |

|  |     |
|--|-----|
| Infrared Endec Control Register Definitions    | 100 |
| Serial Peripheral Interface                    | 101 |
| Architecture                                   | 101 |
| Operation                                      | 103 |
| SPI Signals                                    | 103 |
| SPI Clock Phase and Polarity Control           | 104 |
| Multimaster Operation                          | 106 |
| Slave Operation                                | 107 |
| Error Detection                                | 107 |
| SPI Interrupts                                 | 108 |
| SPI Baud Rate Generator                        | 108 |
| SPI Control Register Definitions               | 109 |
| SPI Data Register                              | 109 |
| SPI Control Register                           | 110 |
| SPI Status Register                            | 111 |
| SPI Mode Register                              | 112 |
| SPI Diagnostic State Register                  | 113 |
| SPI Baud Rate High and Low Byte Registers      | 114 |
| I2C Controller                                 | 115 |
| Architecture                                   | 115 |
| Operation                                      | 116 |
| SDA and SCL Signals                            | 117 |
| I <sup>2</sup> C Interrupts                    | 117 |
| Software Control of I2C Transactions           | 118 |
| Start and Stop Conditions                      | 119 |
| Master Write and Read Transactions             | 119 |
| Address Only Transaction with a 7-Bit Address  | 120 |
| Write Transaction with a 7-Bit Address         | 121 |
| Address-Only Transaction with a 10-Bit Address | 122 |
| Write Transaction with a 10-Bit Address        | 123 |
| Read Transaction with a 7-Bit Address          | 125 |
| Read Transaction with a 10-Bit Address         | 126 |
| I2C Control Register Definitions               | 128 |
| I2C Data Register                              | 129 |
| I2C Status Register                            | 129 |
| I2C Control Register                           | 131 |
| I2C Baud Rate High and Low Byte Registers      | 132 |
| I2C Diagnostic State Register                  | 133 |
| I2C Diagnostic Control Register                | 135 |
| Analog-to-Digital Converter                    | 136 |

|   |     |
|---|-----|
| Architecture .....                                | 136 |
| Operation .....                                   | 137 |
| Automatic Power-Down .....                        | 137 |
| Single-Shot Conversion .....                      | 137 |
| Continuous Conversion .....                       | 138 |
| ADC Control Register Definitions .....            | 139 |
| ADC Control Register .....                        | 139 |
| ADC Data High Byte Register .....                 | 141 |
| ADC Data Low Bits Register .....                  | 142 |
| Flash Memory .....                                | 143 |
| Information Area .....                            | 144 |
| Operation .....                                   | 145 |
| Timing Using the Flash Frequency Registers .....  | 145 |
| Flash Read Protection .....                       | 146 |
| Flash Write/Erase Protection .....                | 146 |
| Byte Programming .....                            | 147 |
| Page Erase .....                                  | 148 |
| Mass Erase .....                                  | 148 |
| Flash Controller Bypass .....                     | 148 |
| Flash Controller Behavior in Debug Mode .....     | 149 |
| Flash Control Register Definitions .....          | 149 |
| Flash Control Register .....                      | 150 |
| Flash Status Register .....                       | 151 |
| Page Select Register .....                        | 152 |
| Flash Sector Protect Register .....               | 152 |
| Flash Frequency High and Low Byte Registers ..... | 153 |
| Option Bits .....                                 | 155 |
| Operation .....                                   | 155 |
| Option Bit Configuration By Reset .....           | 155 |
| Option Bit Address Space .....                    | 155 |
| Flash Memory Address 0000H .....                  | 156 |
| Flash Memory Address 0001H .....                  | 157 |
| On-Chip Debugger .....                            | 158 |
| Architecture .....                                | 158 |
| Operation .....                                   | 159 |
| OCD Interface .....                               | 159 |
| Debug Mode .....                                  | 160 |
| OCD Data Format .....                             | 161 |
| OCD Autobaud Detector/Generator .....             | 161 |
| OCD Serial Errors .....                           | 162 |

|   |     |
|---|-----|
| Breakpoints . . . . .   | 162 |
| OCDNTR Register . . . . .   | 163 |
| On-Chip Debugger Commands . . . . .                               | 164 |
| On-Chip Debugger Control Register Definitions . . . . .           | 169 |
| OCD Control Register . . . . .                                    | 169 |
| OCD Status Register . . . . .                                     | 171 |
| On-Chip Oscillator . . . . .                                      | 172 |
| Operating Modes . . . . .   | 172 |
| Crystal Oscillator Operation . . . . .                            | 172 |
| Oscillator Operation with an External RC Network . . . . .        | 174 |
| Electrical Characteristics . . . . .                              | 176 |
| Absolute Maximum Ratings . . . . .                                | 176 |
| DC Characteristics . . . . .                                      | 178 |
| AC Characteristics . . . . .                                      | 185 |
| On-Chip Peripheral AC and DC Electrical Characteristics . . . . . | 186 |
| General Purpose I/O Port Input Data Sample Timing . . . . .       | 191 |
| General Purpose I/O Port Output Timing . . . . .                  | 192 |
| On-Chip Debugger Timing . . . . .                                 | 193 |
| SPI MASTER Mode Timing . . . . .                                  | 194 |
| SPI SLAVE Mode Timing . . . . .                                   | 195 |
| I2C Timing . . . . .  | 196 |
| UART Timing . . . . .   | 197 |
| eZ8 CPU Instruction Set . . . . .                                 | 199 |
| Assembly Language Programming Introduction . . . . .              | 199 |
| Assembly Language Syntax . . . . .                                | 200 |
| eZ8 CPU Instruction Notation . . . . .                            | 201 |
| Condition Codes . . . . .   | 203 |
| eZ8 CPU Instruction Classes . . . . .                             | 204 |
| eZ8 CPU Instruction Summary . . . . .                             | 208 |
| Flags Register . . . . .  | 217 |
| Op Code Maps . . . . .  | 218 |
| Packaging . . . . .   | 221 |
| Ordering Information . . . . .                                    | 222 |
| Part Number Suffix Designations . . . . .                         | 224 |
| General Purpose RAM . . . . .                                     | 225 |
| Timer 0 Control Registers . . . . .                               | 225 |
| UART Control Registers . . . . .                                  | 230 |
| I2C Control Registers . . . . .                                   | 233 |
| SPI Control Registers . . . . .                                   | 235 |
| Analog-to-Digital Converter Control Registers . . . . .           | 237 |

**Z8 Encore! XP® F0822 Series  
Product Specification**



**x**

|   |     |
|---|-----|
| Interrupt Request Control Registers ..... | 238 |
| GPIO Control Registers .....              | 241 |
| Watchdog Timer Control Registers .....    | 244 |
| Flash Control Registers .....             | 246 |
| Index .....                               | 248 |
| Customer Support .....                    | 258 |

## List of Figures

|            |  |     |
|------------|--|-----|
| Figure 1.  | Z8 Encore! XP® F0822 Series Block Diagram . . . . .                      | 3   |
| Figure 2.  | The Z8F0821 and Z8F0421 MCUs in 20-Pin SSOP and PDIP Packages . . .      | 8   |
| Figure 3.  | The Z8F0822 and Z8F0422 MCUs in 28-Pin SOIC and PDIP Packages . . .      | 8   |
| Figure 4.  | The Z8F0811 and Z8F0411 MCUs in 20-Pin SSOP and PDIP Packages . . .      | 9   |
| Figure 5.  | The Z8F0812 and Z8F0412 MCUs in 28-Pin SOIC and PDIP Packages . . .      | 9   |
| Figure 6.  | Power-On Reset Operation . . . . .                                       | 23  |
| Figure 7.  | Voltage Brown-Out Reset Operation . . . . .                              | 24  |
| Figure 8.  | GPIO Port Pin Block Diagram . . . . .                                    | 30  |
| Figure 9.  | Interrupt Controller Block Diagram . . . . .                             | 42  |
| Figure 10. | Timer Block Diagram . . . . .  | 55  |
| Figure 11. | UART Block Diagram . . . . .   | 78  |
| Figure 12. | UART Asynchronous Data Format without Parity . . . . .                   | 79  |
| Figure 13. | UART Asynchronous Data Format with Parity . . . . .                      | 79  |
| Figure 14. | UART Asynchronous Multiprocessor Mode Data Format . . . . .              | 83  |
| Figure 15. | UART Driver Enable Signal Timing (with 1 Stop Bit and Parity) . . . . .  | 85  |
| Figure 16. | UART Receiver Interrupt Service Routine Flow . . . . .                   | 87  |
| Figure 17. | Infrared Data Communication System Block Diagram . . . . .               | 97  |
| Figure 18. | Infrared Data Transmission . . . . .                                     | 98  |
| Figure 19. | Infrared Data Reception . . . . .  | 99  |
| Figure 20. | SPI Configured as a Master in a Single Master, Single Slave System . . . | 101 |
| Figure 21. | SPI Configured as a Master in a Single Master, Multiple Slave System . . | 102 |
| Figure 22. | SPI Configured as a Slave . . . . .                                      | 102 |
| Figure 23. | SPI Timing When PHASE is 0 . . . . .                                     | 105 |
| Figure 24. | SPI Timing When PHASE is 1 . . . . .                                     | 106 |
| Figure 25. | I <sup>2</sup> C Controller Block Diagram . . . . .                      | 116 |
| Figure 26. | 7-Bit Address Only Transaction Format . . . . .                          | 120 |
| Figure 27. | 7-Bit Addressed Slave Data Transfer Format . . . . .                     | 121 |
| Figure 28. | 10-Bit Address Only Transaction Format . . . . .                         | 122 |
| Figure 29. | 10-Bit Addressed Slave Data Transfer Format . . . . .                    | 123 |
| Figure 30. | Receive Data Transfer Format for a 7-Bit Addressed Slave . . . . .       | 125 |
| Figure 31. | Receive Data Format for a 10-Bit Addressed Slave . . . . .               | 126 |
| Figure 32. | Analog-to-Digital Converter Block Diagram . . . . .                      | 137 |
| Figure 33. | Flash Memory Arrangement . . . . .                                       | 144 |

|  |     |
|--|-----|
| Figure 34. On-Chip Debugger Block Diagram . . . . .  | 158 |
| Figure 35. Interfacing the On-Chip Debugger's DBG Pin with an RS-232 Interface,<br>#1 of 2 . . . . .               | 159 |
| Figure 36. Interfacing the On-Chip Debugger's DBG Pin with an RS-232 Interface,<br>#2 of 2 . . . . .               | 160 |
| Figure 37. OCD Data Format . . . . .   | 161 |
| Figure 38. Recommended 20MHz Crystal Oscillator Configuration . . . . .  | 173 |
| Figure 39. Connecting the On-Chip Oscillator to an External RC Network . . . . .                                   | 174 |
| Figure 40. Typical RC Oscillator Frequency as a Function<br>of External Capacitance with a 45kΩ Resistor . . . . . | 175 |
| Figure 41. Typical Active Mode IDD vs. System Clock Frequency . . . . .  | 179 |
| Figure 42. Maximum Active Mode IDD vs. System Clock Frequency . . . . .  | 180 |
| Figure 43. Typical HALT Mode IDD vs. System Clock Frequency . . . . .  | 181 |
| Figure 44. Maximum HALT Mode ICC vs. System Clock Frequency . . . . .  | 182 |
| Figure 45. Maximum STOP Mode I <sub>DD</sub> with VBO Enabled vs. Power Supply<br>Voltage . . . . .                | 183 |
| Figure 46. Maximum STOP Mode IDD with VBO Disabled vs. Power Supply<br>Voltage . . . . .                           | 184 |
| Figure 47. Analog-to-Digital Converter Frequency Response . . . . .  | 189 |
| Figure 48. Port Input Sample Timing . . . . .  | 191 |
| Figure 49. GPIO Port Output Timing . . . . .   | 192 |
| Figure 50. On-Chip Debugger Timing . . . . .   | 193 |
| Figure 51. SPI MASTER Mode Timing . . . . .  | 194 |
| Figure 52. SPI SLAVE Mode Timing . . . . .   | 195 |
| Figure 53. I <sup>2</sup> C Timing . . . . .   | 196 |
| Figure 54. UART Timing with CTS . . . . .  | 197 |
| Figure 55. UART Timing without CTS . . . . .   | 198 |
| Figure 56. Flags Register . . . . .  | 217 |
| Figure 57. Op Code Map Cell Description . . . . .  | 218 |
| Figure 58. First Op Code Map . . . . .   | 219 |
| Figure 59. Second Op Code Map after 1FH . . . . .  | 220 |

## List of Tables

|           |  |    |
|-----------|--|----|
| Table 1.  | Z8 Encore! XP <sup>®</sup> F0822 Series Part Selection Guide . . . . . | 2  |
| Table 2.  | Z8 Encore! XP <sup>®</sup> F0822 Series Package Options . . . . .      | 7  |
| Table 3.  | Signal Descriptions . . . . .  | 10 |
| Table 4.  | Pin Characteristics . . . . .  | 13 |
| Table 5.  | Z8 Encore! XP <sup>®</sup> F0822 Series Program Memory Maps . . . . .  | 15 |
| Table 6.  | Information Area Map . . . . .   | 16 |
| Table 7.  | Register File Address Map . . . . .                                    | 17 |
| Table 8.  | Reset and Stop Mode Recovery Characteristics and Latency . . . . .     | 21 |
| Table 9.  | Reset Sources and Resulting Reset Type . . . . .                       | 22 |
| Table 10. | Stop Mode Recovery Sources and Resulting Action . . . . .              | 25 |
| Table 11. | Port Availability by Device and Package Type . . . . .                 | 29 |
| Table 12. | Port Alternate Function Mapping . . . . .                              | 30 |
| Table 13. | GPIO Port Registers and Subregisters . . . . .                         | 31 |
| Table 14. | Port A–C GPIO Address Registers (PxADDR) . . . . .                     | 32 |
| Table 15. | Port A–C Control Registers (PxCTL) . . . . .                           | 33 |
| Table 16. | Port A–C Data Direction Subregisters . . . . .                         | 33 |
| Table 17. | Port A–CA–C Alternate Function Subregisters . . . . .                  | 34 |
| Table 18. | Port A–C Output Control Subregisters . . . . .                         | 35 |
| Table 19. | Port A–C High Drive Enable Subregisters . . . . .                      | 36 |
| Table 20. | Port A–C Stop Mode Recovery Source Enable Subregisters . . . . .       | 37 |
| Table 21. | Port A–C Pull-Up Enable Subregisters . . . . .                         | 38 |
| Table 22. | Port A–C Input Data Registers (PxIN) . . . . .                         | 38 |
| Table 23. | Port A–C Output Data Register (PxOUT) . . . . .                        | 39 |
| Table 24. | Interrupt Vectors in Order of Priority . . . . .                       | 41 |
| Table 25. | Interrupt Request 0 Register (IRQ0) . . . . .                          | 45 |
| Table 26. | Interrupt Request 1 Register (IRQ1) . . . . .                          | 46 |
| Table 27. | Interrupt Request 2 Register (IRQ2) . . . . .                          | 47 |
| Table 28. | IRQ0 Enable and Priority Encoding . . . . .                            | 48 |
| Table 29. | IRQ0 Enable High Bit Register (IRQ0ENH) . . . . .                      | 48 |
| Table 30. | IRQ0 Enable Low Bit Register (IRQ0ENL) . . . . .                       | 49 |
| Table 31. | IRQ1 Enable and Priority Encoding . . . . .                            | 49 |
| Table 32. | IRQ1 Enable High Bit Register (IRQ1ENH) . . . . .                      | 50 |
| Table 33. | IRQ1 Enable Low Bit Register (IRQ1ENL) . . . . .                       | 50 |

|           |   |     |
|-----------|---|-----|
| Table 34. | IRQ2 Enable and Priority Encoding                             | 51  |
| Table 35. | IRQ2 Enable High Bit Register (IRQ2ENH)                       | 51  |
| Table 36. | IRQ2 Enable Low Bit Register (IRQ2ENL)                        | 52  |
| Table 37. | Interrupt Edge Select Register (IRQES)                        | 52  |
| Table 38. | Interrupt Control Register (IRQCTL)                           | 53  |
| Table 39. | Timer 0–1 High Byte Register (TxH)                            | 65  |
| Table 40. | Timer 0–1 Low Byte Register (TxL)                             | 65  |
| Table 41. | Timer 0–1 Reload High Byte Register (TxRH)                    | 65  |
| Table 42. | Timer 0–1 Reload Low Byte Register (TxRL)                     | 66  |
| Table 43. | Timer 0–1 PWM High Byte Register (TxPWMH)                     | 66  |
| Table 44. | Timer 0–1 PWM Low Byte Register (TxPWML)                      | 66  |
| Table 45. | Timer 0–3 Control 0 Registers (TxCTL0)                        | 67  |
| Table 46. | Timer 0–1 Control Registers (TxCTL)                           | 68  |
| Table 47. | Watchdog Timer Approximate Time-Out Delays                    | 71  |
| Table 48. | Watchdog Timer Control Register (WDTCTL)                      | 74  |
| Table 49. | Watchdog Timer Events   | 74  |
| Table 50. | Watchdog Timer Reload Upper Byte Register (WDTU)              | 75  |
| Table 51. | Watchdog Timer Reload High Byte Register (WDTH)               | 75  |
| Table 52. | Watchdog Timer Reload Low Byte Register (WDTL)                | 76  |
| Table 53. | UART Transmit Data Register (U0TXD)                           | 89  |
| Table 54. | UART Receive Data Register (U0RXD)                            | 89  |
| Table 55. | UART Status 0 Register (U0STAT0)                              | 90  |
| Table 56. | UART Status 1 Register (U0STAT1)                              | 91  |
| Table 57. | UART Control 0 Register (U0CTL0)                              | 92  |
| Table 58. | UART Control 1 Register (U0CTL1)                              | 93  |
| Table 59. | UART Address Compare Register (U0ADDR)                        | 94  |
| Table 60. | UART Baud Rate High Byte Register (U0BRH)                     | 95  |
| Table 61. | UART Baud Rate Low Byte Register (U0BRL)                      | 95  |
| Table 62. | UART Baud Rates   | 96  |
| Table 63. | SPI Clock Phase (PHASE) and Clock Polarity (CLKPOL) Operation | 105 |
| Table 64. | SPI Data Register (SPIDATA)                                   | 109 |
| Table 65. | SPI Control Register (SPICTL)                                 | 110 |
| Table 66. | SPI Status Register (SPISTAT)                                 | 111 |
| Table 67. | SPI Mode Register (SPIMODE)                                   | 112 |
| Table 68. | SPI Diagnostic State Register (SPIDST)                        | 113 |
| Table 69. | SPI Baud Rate High Byte Register (SPIBRH)                     | 114 |

|            |   |     |
|------------|---|-----|
| Table 70.  | SPI Baud Rate Low Byte Register (SPIBRL) . . . . .                                      | 114 |
| Table 71.  | I <sup>2</sup> C Data Register (I2CDATA) . . . . .                                      | 129 |
| Table 72.  | I <sup>2</sup> C Status Register (I2CSTAT) . . . . .                                    | 129 |
| Table 73.  | I <sup>2</sup> C Control Register (I2CCTL) . . . . .                                    | 131 |
| Table 74.  | I <sup>2</sup> C Baud Rate High Byte Register (I2CBRH) . . . . .                        | 132 |
| Table 75.  | I <sup>2</sup> C Baud Rate Low Byte Register (I2CBRL) . . . . .                         | 133 |
| Table 76.  | I <sup>2</sup> C Diagnostic State Register (I2CDST) . . . . .                           | 133 |
| Table 77.  | I <sup>2</sup> C Diagnostic Control Register (I2CDIAG) . . . . .                        | 135 |
| Table 78.  | ADC Control Register (ADCCTL) . . . . .   | 139 |
| Table 79.  | ADC Data High Byte Register (ADCD_H) . . . . .  | 141 |
| Table 80.  | ADC Data Low Bits Register (ADCD_L) . . . . .   | 142 |
| Table 81.  | Flash Memory Configurations . . . . .   | 143 |
| Table 82.  | Flash Memory Sector Addresses . . . . .   | 143 |
| Table 83.  | Z8 Encore! XP® F0822 Series Information Area Map . . . . .                              | 145 |
| Table 84.  | Flash Control Register (FCTL) . . . . .   | 150 |
| Table 85.  | Flash Status Register (FSTAT) . . . . .   | 151 |
| Table 86.  | Page Select Register (FPS) . . . . .  | 152 |
| Table 87.  | Flash Sector Protect Register (FPROT) . . . . .   | 153 |
| Table 88.  | Flash Frequency High Byte Register (FFREQH) . . . . .                                   | 154 |
| Table 89.  | Flash Frequency Low Byte Register (FFREQL) . . . . .                                    | 154 |
| Table 90.  | Option Bits at Flash Memory Address 0000H for 8K Series Flash<br>Devices . . . . .      | 156 |
| Table 91.  | Options Bits at Flash Memory Address 0001H . . . . .                                    | 157 |
| Table 92.  | OCD Baud-Rate Limits . . . . .  | 162 |
| Table 93.  | On-Chip Debugger Commands . . . . .   | 164 |
| Table 94.  | OCD Control Register (OCDCTL) . . . . .   | 169 |
| Table 95.  | OCD Status Register (OCDSTAT) . . . . .   | 171 |
| Table 96.  | Recommended Crystal Oscillator Specifications (20MHz Operation) . . .                   | 173 |
| Table 97.  | Absolute Maximum Ratings . . . . .  | 176 |
| Table 98.  | DC Characteristics . . . . .  | 178 |
| Table 99.  | AC Characteristics . . . . .  | 185 |
| Table 100. | Power-On Reset and Voltage Brown-Out Electrical Characteristics<br>and Timing . . . . . | 186 |
| Table 101. | External RC Oscillator Electrical Characteristics and Timing . . . . .                  | 187 |
| Table 102. | Flash Memory Electrical Characteristics and Timing . . . . .                            | 187 |
| Table 103. | Reset and Stop Mode Recovery Pin Timing . . . . .                                       | 188 |

|  |     |
|--|-----|
| Table 104. Watchdog Timer Electrical Characteristics and Timing . . . . .              | 188 |
| Table 105. Analog-to-Digital Converter Electrical Characteristics and Timing . . . . . | 190 |
| Table 106. GPIO Port Input Timing . . . . .  | 191 |
| Table 107. GPIO Port Output Timing . . . . .   | 192 |
| Table 108. On-Chip Debugger Timing . . . . .   | 193 |
| Table 109. SPI MASTER Mode Timing . . . . .  | 194 |
| Table 110. SPI SLAVE Mode Timing . . . . .   | 195 |
| Table 111. I <sup>2</sup> C Timing . . . . .   | 196 |
| Table 112. UART Timing with CTS . . . . .  | 197 |
| Table 113. UART Timing without CTS . . . . .   | 198 |
| Table 114. Assembly Language Syntax Example 1 . . . . .                                | 200 |
| Table 115. Assembly Language Syntax Example 2 . . . . .                                | 201 |
| Table 116. Notational Shorthand . . . . .  | 201 |
| Table 117. Additional Symbols . . . . .  | 202 |
| Table 118. Condition Codes . . . . .   | 203 |
| Table 119. Arithmetic Instructions . . . . .   | 204 |
| Table 120. Bit Manipulation Instructions . . . . .                                     | 205 |
| Table 121. Block Transfer Instructions . . . . .                                       | 205 |
| Table 122. CPU Control Instructions . . . . .  | 206 |
| Table 123. Load Instructions . . . . .   | 206 |
| Table 124. Logical Instructions . . . . .  | 207 |
| Table 125. Program Control Instructions . . . . .                                      | 207 |
| Table 126. Rotate and Shift Instructions . . . . .                                     | 208 |
| Table 127. eZ8 CPU Instruction Summary . . . . .                                       | 208 |
| Table 128. Op Code Map Abbreviations . . . . .   | 218 |
| Table 129. Z8 Encore! XP F0830 Series Ordering Matrix . . . . .                        | 222 |
| Table 130. Timer 0–1 High Byte Register (TxH) . . . . .                                | 225 |
| Table 131. Timer 0–1 Low Byte Register (TxL) . . . . .                                 | 226 |
| Table 132. Timer 0–1 Reload High Byte Register (TxRH) . . . . .                        | 226 |
| Table 133. Timer 0–1 Reload Low Byte Register (TxRL) . . . . .                         | 226 |
| Table 134. Timer 0–1 PWM High Byte Register (TxPWMH) . . . . .                         | 227 |
| Table 135. Timer 0–1 PWM Low Byte Register (TxPWML) . . . . .                          | 227 |
| Table 136. Timer 0–3 Control 0 Registers (TxCTL0) . . . . .                            | 227 |
| Table 137. Timer 0–1 Control Registers (TxCTL) . . . . .                               | 228 |
| Table 138. Timer 0–1 High Byte Register (TxH) . . . . .                                | 228 |
| Table 139. Timer 0–1 Low Byte Register (TxL) . . . . .                                 | 228 |

|            |  |     |
|------------|--|-----|
| Table 140. | Timer 0–1 Reload High Byte Register (TxRH) . . . . .             | 228 |
| Table 141. | Timer 0–1 Reload Low Byte Register (TxRL) . . . . .              | 229 |
| Table 142. | Timer 0–1 PWM High Byte Register (TxPWMH) . . . . .              | 229 |
| Table 143. | Timer 0–1 PWM Low Byte Register (TxPWML) . . . . .               | 229 |
| Table 144. | Timer 0–3 Control 0 Registers (TxCTL0) . . . . .                 | 229 |
| Table 145. | Timer 0–1 Control Registers (TxCTL) . . . . .                    | 230 |
| Table 146. | UART Transmit Data Register (U0TXD) . . . . .                    | 230 |
| Table 147. | UART Receive Data Register (U0RXD) . . . . .                     | 230 |
| Table 148. | UART Status 0 Register (U0STAT0) . . . . .                       | 231 |
| Table 149. | UART Control 0 Register (U0CTL0) . . . . .                       | 231 |
| Table 150. | UART Control 1 Register (U0CTL1) . . . . .                       | 231 |
| Table 151. | UART Status 1 Register (U0STAT1) . . . . .                       | 231 |
| Table 152. | UART Address Compare Register (U0ADDR) . . . . .                 | 232 |
| Table 153. | UART Baud Rate High Byte Register (U0BRH) . . . . .              | 232 |
| Table 154. | UART Baud Rate Low Byte Register (U0BRL) . . . . .               | 232 |
| Table 155. | I <sup>2</sup> C Data Register (I2CDATA) . . . . .               | 233 |
| Table 156. | I <sup>2</sup> C Status Register (I2CSTAT) . . . . .             | 233 |
| Table 157. | I <sup>2</sup> C Control Register (I2CCTL) . . . . .             | 233 |
| Table 158. | I <sup>2</sup> C Baud Rate High Byte Register (I2CBRH) . . . . . | 234 |
| Table 159. | I <sup>2</sup> C Baud Rate Low Byte Register (I2CBRL) . . . . .  | 234 |
| Table 160. | I <sup>2</sup> C Diagnostic State Register (I2CDST) . . . . .    | 234 |
| Table 161. | I <sup>2</sup> C Diagnostic Control Register (I2CDIAG) . . . . . | 234 |
| Table 162. | SPI Data Register (SPIDATA) . . . . .                            | 235 |
| Table 163. | SPI Control Register (SPICTL) . . . . .                          | 235 |
| Table 164. | SPI Status Register (SPISTAT) . . . . .                          | 235 |
| Table 165. | SPI Mode Register (SPIMODE) . . . . .                            | 236 |
| Table 166. | SPI Diagnostic State Register (SPIDST) . . . . .                 | 236 |
| Table 167. | SPI Baud Rate High Byte Register (SPIBRH) . . . . .              | 236 |
| Table 168. | SPI Baud Rate Low Byte Register (SPIBRL) . . . . .               | 237 |
| Table 169. | ADC Control Register (ADCCTL) . . . . .                          | 237 |
| Table 170. | ADC Data High Byte Register (ADCD_H) . . . . .                   | 238 |
| Table 171. | ADC Data Low Bits Register (ADCD_L) . . . . .                    | 238 |
| Table 172. | Interrupt Request 0 Register (IRQ0) . . . . .                    | 238 |
| Table 173. | IRQ0 Enable High Bit Register (IRQ0ENH) . . . . .                | 239 |
| Table 174. | IRQ0 Enable Low Bit Register (IRQ0ENL) . . . . .                 | 239 |
| Table 175. | Interrupt Request 1 Register (IRQ1) . . . . .                    | 239 |

|   |     |
|---|-----|
| Table 176. IRQ1 Enable High Bit Register (IRQ1ENH) .....          | 239 |
| Table 177. IRQ1 Enable Low Bit Register (IRQ1ENL) .....           | 240 |
| Table 178. Interrupt Request 2 Register (IRQ2) .....              | 240 |
| Table 179. IRQ2 Enable High Bit Register (IRQ2ENH) .....          | 240 |
| Table 180. IRQ2 Enable Low Bit Register (IRQ2ENL) .....           | 240 |
| Table 181. Interrupt Control Register (IRQCTL) .....              | 241 |
| Table 182. Port A–C GPIO Address Registers (PxADDR) .....         | 241 |
| Table 183. Port A–C Control Registers (PxCTL) .....               | 241 |
| Table 184. Port A–C Input Data Registers (PxIN) .....             | 242 |
| Table 185. Port A–C Output Data Register (PxOUT) .....            | 242 |
| Table 186. Port A–C GPIO Address Registers (PxADDR) .....         | 242 |
| Table 187. Port A–C Control Registers (PxCTL) .....               | 242 |
| Table 188. Port A–C Input Data Registers (PxIN) .....             | 243 |
| Table 189. Port A–C Output Data Register (PxOUT) .....            | 243 |
| Table 190. Port A–C GPIO Address Registers (PxADDR) .....         | 243 |
| Table 191. Port A–C Control Registers (PxCTL) .....               | 243 |
| Table 192. Port A–C Input Data Registers (PxIN) .....             | 244 |
| Table 193. Port A–C Output Data Register (PxOUT) .....            | 244 |
| Table 194. Watchdog Timer Control Register (WDTCTL) .....         | 244 |
| Table 195. Watchdog Timer Reload Upper Byte Register (WDTU) ..... | 245 |
| Table 196. Watchdog Timer Reload High Byte Register (WDTH) .....  | 245 |
| Table 197. Watchdog Timer Reload Low Byte Register (WDTL) .....   | 245 |
| Table 198. Flash Control Register (FCTL) .....                    | 246 |
| Table 199. Flash Status Register (FSTAT) .....                    | 246 |
| Table 200. Page Select Register (FPS) .....                       | 246 |
| Table 201. Flash Sector Protect Register (FPROT) .....            | 247 |
| Table 202. Flash Frequency High Byte Register (FFREQH) .....      | 247 |
| Table 203. Flash Frequency Low Byte Register (FFREQL) .....       | 247 |

## Introduction

Zilog's Z8 Encore! XP<sup>®</sup> MCU product family is a line of Zilog microcontrollers based on the 8-bit eZ8 CPU. Z8 Encore! XP<sup>®</sup> F0822 Series of MCUs adds Flash memory to Zilog's extensive line of 8-bit microcontrollers. The Flash in-circuit programming allows faster development time and program changes in the field. The new eZ8 CPU is upward-compatible with the existing Z8<sup>®</sup> CPU instructions. The rich peripheral set of the Z8 Encore! XP<sup>®</sup> F0822 Series makes it suitable for a variety of applications including motor control, security systems, home appliances, personal electronic devices and sensors.

## Features

The Z8 Encore! XP<sup>®</sup> F0822 Series features:

- 20MHz eZ8 CPU core
- Up to 8KB Flash with in-circuit programming capability
- 1KB Register RAM
- Optional 2- to 5-channel, 10-bit Analog-to-Digital Converter (ADC)
- Full-duplex 9-bit Universal Asynchronous Receiver/Transmitter (UART) with bus transceiver Driver Enable Control
- Inter-Integrated Circuit (I<sup>2</sup>C)
- Serial Peripheral Interface (SPI)
- Infrared Data Association (IrDA)-compliant infrared encoder/decoders
- Two 16-bit timers with Capture, Compare, and PWM capability
- Watchdog Timer (WDT) with internal RC oscillator
- 11 to 19 Input/Output pins depending upon package
- Up to 19 interrupts with configurable priority
- On-Chip Debugger (OCD)
- Voltage Brown-Out (VBO) protection
- Power-On Reset (POR)
- Crystal oscillator with three power settings and RC oscillator option
- 2.7V to 3.6V operating voltage with 5V-tolerant inputs
- 20-pin and 28-pin packages

- 0°C to +70°C standard temperature and –40°C to +105°C extended temperature operating ranges

## Part Selection Guide

Table 1 identifies the basic features and package styles available for each device within the Z8 Encore! XP® F0822 Series.

**Table 1. Z8 Encore! XP® F0822 Series Part Selection Guide**

| Part Number | Flash (KB) | RAM (KB) | I/O | 16-bit Timers with PWM | ADC Inputs | UARTs with IrDA | I <sup>2</sup> C | SPI | Package Pin Counts |    |
|-------------|------------|----------|-----|------------------------|------------|-----------------|------------------|-----|--------------------|----|
|             |            |          |     |                        |            |                 |                  |     | 20                 | 28 |
| Z8F0822     | 8          | 1        | 19  | 2                      | 5          | 1               | 1                | 1   |                    | X  |
| Z8F0821     | 8          | 1        | 11  | 2                      | 2          | 1               | 1                |     | X                  |    |
| Z8F0812     | 8          | 1        | 19  | 2                      | 0          | 1               | 1                | 1   |                    | X  |
| Z8F0811     | 8          | 1        | 11  | 2                      | 0          | 1               | 1                |     | X                  |    |
| Z8F0422     | 4          | 1        | 19  | 2                      | 5          | 1               | 1                | 1   |                    | X  |
| Z8F0421     | 4          | 1        | 11  | 2                      | 2          | 1               | 1                |     | X                  |    |
| Z8F0412     | 4          | 1        | 19  | 2                      | 0          | 1               | 1                | 1   |                    | X  |
| Z8F0411     | 4          | 1        | 11  | 2                      | 0          | 1               | 1                |     | X                  |    |

## Block Diagram

Figure 1 displays the block diagram of the architecture of Z8 Encore! XP<sup>®</sup> F0822 Series devices.

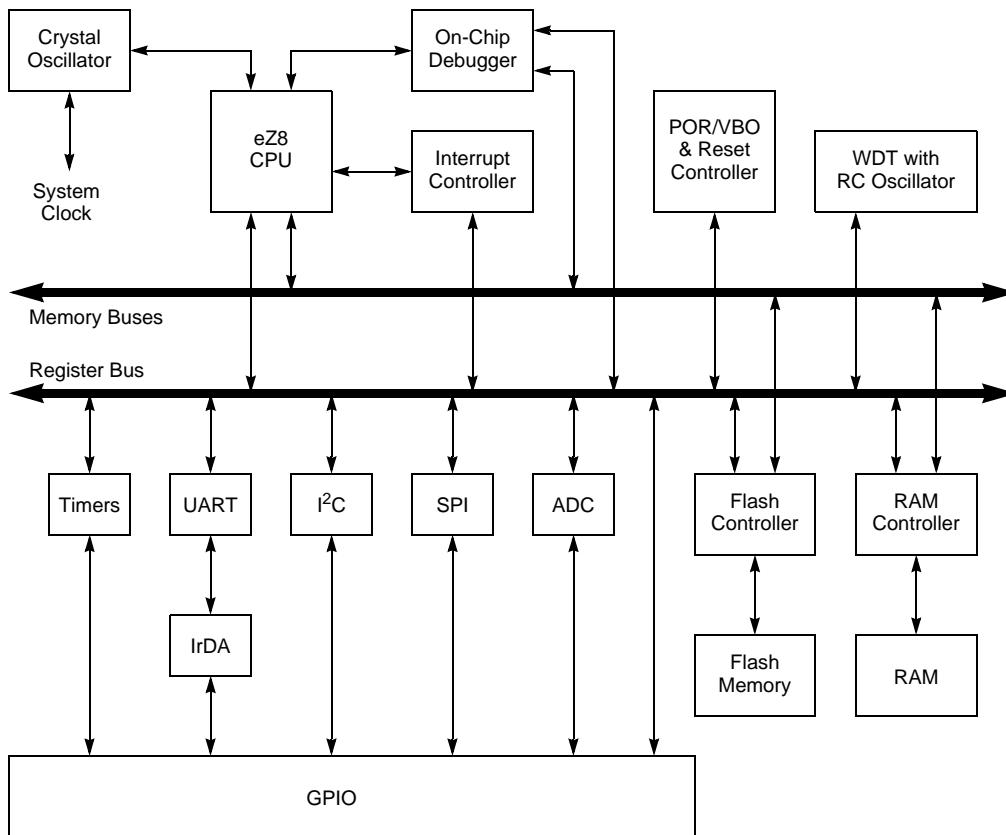


Figure 1. Z8 Encore! XP<sup>®</sup> F0822 Series Block Diagram

## CPU and Peripheral Overview

Zilog's latest eZ8 8-bit CPU meets the continuing demand for faster and more code-efficient microcontrollers. The eZ8 CPU executes a superset of the original Z8<sup>®</sup> instruction set.

The eZ8 CPU features:

- Direct register-to-register architecture allows each register to function as an accumulator, improving execution time and decreasing the required Program memory
- Software stack allows much greater depth in subroutine calls and interrupts than hardware stacks
- Compatible with existing Z8<sup>®</sup> code
- Expanded internal Register File allows access of up to 4KB
- New instructions improve execution efficiency for code developed using higher-level programming languages, including C
- Pipelined instruction fetch and execution
- New instructions for improved performance including BIT, BSWAP, BTJ, CPC, LDC, LDCI, LEA, MULT and SRL
- New instructions support 12-bit linear addressing of the Register File
- Up to 10 MIPS operation
- C-Compiler friendly
- 2 to 9 clock cycles per instruction

For more information about the eZ8 CPU, refer to the [eZ8 CPU Core User Manual \(UM0128\)](#), which is available for download at [www.zilog.com](http://www.zilog.com).

### General Purpose Input/Output

Z8 Encore! XP<sup>®</sup> F0822 Series features 11 to 19 port pins (Ports A–C) for General-Purpose Input/Output (GPIO). The number of available GPIO pins is a function of package type. Each pin is individually programmable. Ports A and C support 5V-tolerant inputs.

### Flash Controller

The Flash Controller programs and erases the contents of Flash memory.

## 10-Bit Analog-to-Digital Converter

The optional Analog-to-Digital Converter (ADC) converts an analog input signal to a 10-bit binary number. The ADC accepts inputs from 2 to 5 different analog input sources.

## UART

The Universal Asynchronous Receiver/Transmitter (UART) is full-duplex and capable of handling asynchronous data transfers. The UART supports 8-bit and 9-bit data modes and selectable parity.

## I<sup>2</sup>C

The Inter-Integrated Circuit (I<sup>2</sup>C) controller makes the Z8 Encore! XP compatible with the I<sup>2</sup>C protocol. The I<sup>2</sup>C Controller consists of two bidirectional bus lines, a serial data (SDA) line, and a serial clock (SCL) line.

## Serial Peripheral Interface

The Serial Peripheral Interface (SPI) allows the Z8 Encore! XP to exchange data between other peripheral devices such as EEPROMs, A/D converters, and ISDN devices. The SPI is a full-duplex, synchronous, and character-oriented channel that supports a four-wire interface.

## Timers

Two 16-bit reloadable timers are used for timing/counting events or for motor control operations. These timers provide a 16-bit programmable reload counter and operate in One-Shot, Continuous, Gated, Capture, Compare, Capture and Compare, and PWM modes.

## Interrupt Controller

Z8 Encore! XP® F0822 Series products support up to 18 interrupts. These interrupts consist of 7 internal peripheral interrupts and 11 GPIO pin interrupt sources. The interrupts have 3 levels of programmable interrupt priority.

## Reset Controller

Z8 Encore! XP® F0822 Series products are reset using the  $\overline{\text{RESET}}$  pin, POR, WDT, STOP Mode exit, or VBO warning signal.

## On-Chip Debugger

Z8 Encore! XP<sup>®</sup> F0822 Series products feature an integrated On-Chip Debugger (OCD). The OCD provides a rich-set of debugging capabilities, such as, reading and writing registers, programming Flash memory, setting breakpoints, and executing code. A single-pin interface provides communication to the OCD.

## Signal and Pin Descriptions

Z8 Encore! XP<sup>®</sup> F0822 Series products are available in a variety of packages, styles, and pin configurations. This chapter describes the signals and available pin configurations for each of the package styles. For information regarding the physical package specifications, see the [Packaging](#) chapter on page 221.

### Available Packages

Table 2 identifies the package styles available for each device within the Z8 Encore! XP<sup>®</sup> F0822 Series.

**Table 2. Z8 Encore! XP<sup>®</sup> F0822 Series Package Options**

| Part Number | 10-Bit ADC | 20-Pin SSOP and PDIP | 28-Pin SOIC and PDIP |
|-------------|------------|----------------------|----------------------|
| Z8F0822     | Yes        |                      | X                    |
| Z8F0821     | Yes        | X                    |                      |
| Z8F0812     | No         |                      | X                    |
| Z8F0811     | No         | X                    |                      |
| Z8F0422     | Yes        |                      | X                    |
| Z8F0421     | Yes        | X                    |                      |
| Z8F0412     | No         |                      | X                    |
| Z8F0411     | No         | X                    |                      |

### Pin Configurations

Figures 2 through 5 display the pin configurations for all of the packages available in the Z8 Encore! XP<sup>®</sup> F0822 Series. See [Table 4](#) on page 13 for a description of the signals.

---

► **Note:** The analog input alternate functions (ANAx) are not available on Z8 Encore! XP<sup>®</sup> F0822 Series devices.

---

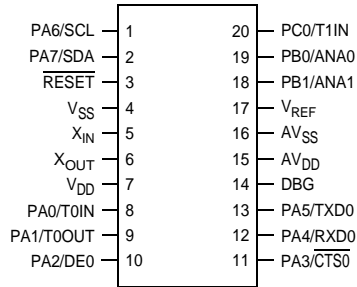


Figure 2. The Z8F0821 and Z8F0421 MCUs in 20-Pin SSOP and PDIP Packages

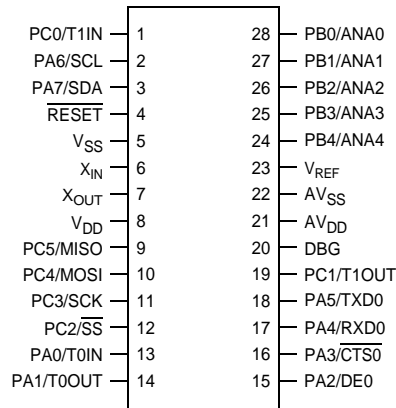


Figure 3. The Z8F0822 and Z8F0422 MCUs in 28-Pin SOIC and PDIP Packages

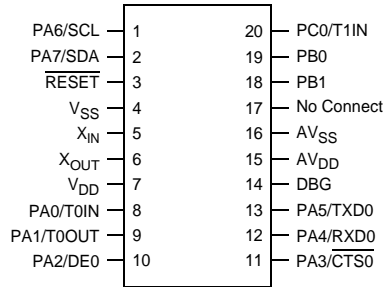


Figure 4. The Z8F0811 and Z8F0411 MCUs in 20-Pin SSOP and PDIP Packages

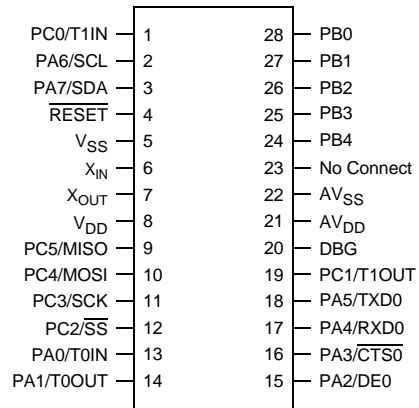


Figure 5. The Z8F0812 and Z8F0412 MCUs in 28-Pin SOIC and PDIP Packages

## Signal Descriptions

Table 3 describes Z8 Encore! XP<sup>®</sup> F0822 Series signals. See the [Pin Configurations](#) section on page 7 to determine the signals available for the specific package styles

**Table 3. Signal Descriptions**

| Signal Mnemonic                      | I/O | Description   |
|--------------------------------------|-----|---|
| <b>General-Purpose I/O Ports A–H</b> |     |   |
| PA[7:0]                              | I/O | <b>Port C</b><br>These pins are used for general-purpose I/O and supports 5V-tolerant inputs.   |
| PB[4:0]                              | I/O | <b>Port B</b><br>These pins are used for general-purpose I/O.   |
| PC[5:0]                              | I/O | <b>Port C</b><br>These pins are used for general-purpose I/O and support 5V-tolerant inputs.  |
| <b>I<sup>2</sup>C Controller</b>     |     |   |
| SCL                                  | I/O | <b>Serial Clock</b><br>This open-drain pin clocks data transfers in accordance with the I <sup>2</sup> C standard protocol. This pin is multiplexed with a GPIO pin. When the GPIO pin is configured for alternate function to enable the SCL function, this pin is open-drain.                   |
| SDA                                  | I/O | <b>Serial Data</b><br>This open-drain pin transfers data between the I <sup>2</sup> C and a slave. This pin is multiplexed with a GPIO pin. When the GPIO pin is configured for alternate function to enable the SDA function, this pin is open-drain.  |
| <b>SPI Controller</b>                |     |   |
| $\overline{SS}$                      | I/O | <b>Slave Select</b><br>This signal can be an output or an input. If the Z8 Encore! XP <sup>®</sup> F0822 Series MCU is the SPI Master, this pin can be configured as the Slave Select output. If the MCU is the SPI Slave, this pin is the input slave select. It is multiplexed with a GPIO pin. |
| SCK                                  | I/O | <b>SPI Serial Clock</b><br>The SPI Master supplies this pin. If the Z8 Encore! XP <sup>®</sup> F0822 Series MCU is the SPI Master, this pin is the output. If the MCU is the SPI Slave, this pin is the input. It is multiplexed with a GPIO pin.   |
| MOSI                                 | I/O | <b>Master-Out/Slave-In</b><br>This signal is the data output from the SPI Master device and the data input to the SPI Slave device. It is multiplexed with a GPIO pin.  |
| MISO                                 | I/O | <b>Master-In/Slave-Out</b><br>This pin is the data input to the SPI Master device and the data output from the SPI Slave device. It is multiplexed with a GPIO pin.   |

Table 3. Signal Descriptions (Continued)

| Signal Mnemonic         | I/O | Description  |
|-------------------------|-----|--|
| <b>UART Controllers</b> |     |  |
| TXD0                    | O   | <b>Transmit Data</b><br>This signal is the transmit output from the UART and IrDA. The TXD signals are multiplexed with GPIO pins.   |
| RXD0                    | I   | <b>Receive Data</b><br>This signal is the receiver input for the UART and IrDA. The RXD signals are multiplexed with GPIO pins.  |
| CTS0                    | I   | <b>Clear To Send</b><br>This signal is control inputs for the UART. The $\overline{\text{CTS}}$ signals are multiplexed with GPIO pins.  |
| DE0                     | O   | <b>Driver Enable</b><br>This signal allows automatic control of external RS-485 drivers. This signal is approximately the inverse of the TXE (Transmit Empty) bit in the UART Status 0 Register. The DE signal can be used to ensure the external RS-485 driver is enabled when data is transmitted by the UART.   |
| <b>Timers</b>           |     |  |
| T0OUT/<br>T1OUT         | O   | <b>Timer Output 0–1</b><br>These signals are output pins from the timers. The Timer Output signals are multiplexed with GPIO pins.   |
| T0IN/T1IN               | I   | <b>Timer Input 0–1</b><br>These signals are used as the Capture, Gating and Counter inputs. The Timer Input signals are multiplexed with GPIO pins.  |
| <b>Analog</b>           |     |  |
| ANA[4:0]                | I   | <b>Analog Input</b><br>These signals are inputs to the Analog-to-Digital Converter (ADC). The ADC analog inputs are multiplexed with GPIO pins.  |
| V <sub>REF</sub>        | I   | <b>Analog-to-Digital Converter Reference Voltage Input</b><br>As an output, Zilog does not recommend the V <sub>REF</sub> signal for use as a reference voltage for external devices. If the ADC is configured to use the internal reference voltage generator, this pin should remain unconnected or capacitively coupled to analog ground (AV <sub>SS</sub> ). |
| <b>Oscillators</b>      |     |  |
| X <sub>IN</sub>         | I   | <b>External Crystal Input</b><br>This pin is the input to the crystal oscillator. A crystal is connected between the external crystal input and the X <sub>OUT</sub> pin to form the oscillator. In addition, this pin is used with external RC networks or external clock drivers to provide the system clock to the system.                                    |

**Table 3. Signal Descriptions (Continued)**

| <b>Signal Mnemonic</b>  | <b>I/O</b> | <b>Description</b>   |
|-------------------------|------------|--|
| X <sub>OUT</sub>        | O          | <b>External Crystal Output</b><br>This pin is the output of the crystal oscillator. A crystal is connected between external crystal output and the X <sub>IN</sub> pin to form the oscillator. When the system clock is referred in this manual, it refers to the frequency of the signal at this pin. This pin must remain unconnected when not using a crystal.  |
| <b>On-Chip Debugger</b> |            |  |
| DBG                     | I/O        | <b>Debug</b><br>This pin is the control and data input and output to and from the OCD. The DBG pin is open-drain and must have an external pull-up resistor to ensure proper operation.<br><br><b>Caution:</b> For operation of the OCD, all power pins (V <sub>DD</sub> and AV <sub>DD</sub> ) must be supplied with power and all ground pins (V <sub>SS</sub> and AV <sub>SS</sub> ) must be properly grounded. |
| <b>Reset</b>            |            |  |
| RESET                   | I          | <b>RESET</b><br>Generates a Reset when asserted (driven Low).  |
| <b>Power Supply</b>     |            |  |
| V <sub>DD</sub>         | I          | Digital Power Supply.  |
| AV <sub>DD</sub>        | I          | <b>Analog Power Supply</b><br>Must be powered up and grounded to VDD, even if not using analog features.   |
| V <sub>SS</sub>         | I          | <b>Digital Ground.</b>   |
| AV <sub>SS</sub>        | I          | <b>Analog Ground</b><br>Must be grounded and connected to VSS, even if not using analog features.  |

## Pin Characteristics

Table 4 provides detailed information about the characteristics for each pin available on Z8 Encore! XP® F0822 Series products. The data in Table 4 is sorted alphabetically by pin symbol mnemonic.

**Table 4. Pin Characteristics**

| Symbol Mnemonic  | Direction | Reset Direction | Active Low or Active High | Tri-State Output | Internal Pull-Up or Pull-Down | Schmitt-Trigger Input | Open Drain Output |
|------------------|-----------|-----------------|---------------------------|------------------|-------------------------------|-----------------------|-------------------|
| AV <sub>DD</sub> | N/A       | N/A             | N/A                       | N/A              | No                            | No                    | N/A               |
| AV <sub>SS</sub> | N/A       | N/A             | N/A                       | N/A              | No                            | No                    | N/A               |
| DBG              | I/O       | I               | N/A                       | Yes              | No                            | Yes                   | Yes               |
| PA[7:0]          | I/O       | I               | N/A                       | Yes              | Programmable pull-up          | Yes                   | Yes, programmable |
| PB[4:0]          | I/O       | I               | N/A                       | Yes              | Programmable pull-up          | Yes                   | Yes, programmable |
| PC[5:0]          | I/O       | I               | N/A                       | Yes              | Programmable pull-up          | Yes                   | Yes, programmable |
| RESET            | I         | I               | Low                       | N/A              | Pull-up                       | Yes                   | N/A               |
| V <sub>DD</sub>  | N/A       | N/A             | N/A                       | N/A              | No                            | No                    | N/A               |
| V <sub>REF</sub> | Analog    | N/A             | N/A                       | N/A              | No                            | No                    | N/A               |
| V <sub>SS</sub>  | N/A       | N/A             | N/A                       | N/A              | No                            | No                    | N/A               |
| X <sub>IN</sub>  | I         | I               | N/A                       | N/A              | No                            | No                    | N/A               |
| X <sub>OUT</sub> | O         | O               | N/A                       | No               | No                            | No                    | No                |

## Address Space

The eZ8 CPU accesses three distinct address spaces:

- The Register File contains addresses for the general-purpose registers and the eZ8 CPU, Peripheral, and GPIO Port Control registers
- The Program Memory contains addresses for all memory locations having executable code and/or data
- The Data Memory contains addresses for all memory locations that hold data only

These three address spaces are covered briefly in the following sections. For more information about the eZ8 CPU and its address space, refer to the [eZ8 CPU Core User Manual \(UM0128\)](#), which is available for download at [www.zilog.com](http://www.zilog.com).

### Register File

The Register File address space in the Z8 Encore! XP® F0822 Series is 4 KB (4096 bytes). It is composed of two sections: Control registers and General-Purpose registers. When instructions are executed, registers are read from when defined as sources and written to when defined as destinations. The architecture of the eZ8 CPU allows all general-purpose registers to function as accumulators, address pointers, index registers, stack areas, or scratch pad memory.

The upper 256 bytes of the 1 KB Register File address space is reserved for control of the eZ8 CPU, the on-chip peripherals, and the I/O ports. These registers are located at addresses from F00H to FFFH. Some of the addresses within the 256-byte Control Register section is reserved (unavailable). Reading from the reserved Register File addresses returns an undefined value. Writing to reserved Register File addresses is not recommended by Zilog because it can produce unpredictable results.

The on-chip RAM always begins at address 000H in the Register File address space. Z8 Encore! XP® F0822 Series contains 1 KB of on-chip RAM. Reading from Register File addresses outside the available RAM addresses (and not within the control register address space) returns an undefined value. Writing to these Register File addresses produces no effect.

## Program Memory

The eZ8 CPU supports 64KB of Program memory address space. Z8 Encore! XP<sup>®</sup> F0822 Series contain 4KB to 8KB on-chip Flash in the Program memory address space, depending on the device. Reading from Program memory addresses outside the available Flash addresses returns FFH. Writing to unimplemented Program memory addresses produces no effect. Table 5 describes the Program memory Maps for Z8 Encore! XP<sup>®</sup> F0822 Series devices.

**Table 5. Z8 Encore! XP<sup>®</sup> F0822 Series Program Memory Maps**

| Program Memory Address (Hex)        | Function                 |
|-------------------------------------|--------------------------|
| <b>Z8F082x and Z8F081x Products</b> |                          |
| 0000-0001                           | Option Bits              |
| 0002-0003                           | Reset Vector             |
| 0004-0005                           | WDT Interrupt Vector     |
| 0006-0007                           | Illegal Instruction Trap |
| 0008-0037                           | Interrupt Vectors*       |
| 0038-1FFF                           | Program Memory           |
| <b>Z8F042x and Z8F041x Products</b> |                          |
| 0000-0001                           | Option Bits              |
| 0002-0003                           | Reset Vector             |
| 0004-0005                           | WDT Interrupt Vector     |
| 0006-0007                           | Illegal Instruction Trap |
| 0008-0037                           | Interrupt Vectors*       |
| 0038-0FFF                           | Program Memory           |

Note: \*See [Table 24 on page 41](#) for a list of the interrupt vectors.

## Data Memory

Z8 Encore! XP<sup>®</sup> F0822 Series does not use the eZ8 CPU's 64KB Data Memory address space.

## Information Area

Table 6 describes the Z8 Encore! XP<sup>®</sup> F0822 Series Information Area. This 512-byte Information Area is accessed by setting bit 7 of the Page Select Register to 1. When access is enabled, the Information Area is mapped into the Program memory and overlays the 512 bytes at addresses FE00H to FFFFH. When the Information Area access is enabled, all

reads from these Program memory addresses return the Information Area data rather than the Program memory data. Access to the Information Area is read-only.

**Table 6. Information Area Map**

| <b>Program Memory Address (Hex)</b> | <b>Function</b>   |
|-------------------------------------|---|
| FE00H–FE3FH                         | Reserved  |
| FE40H–FE53H                         | Part Number: 20-character ASCII alphanumeric code, left-justified and filled with zeros |
| FE54H–FFFFH                         | Reserved  |

## Register File Address Map

Table 7 provides the address map for the Register File of the Z8 Encore! XP<sup>®</sup> F0822 Series products. Not all devices and package styles in the F0822 Series support the ADC, the SPI, or all of the GPIO Ports. Consider registers for unimplemented peripherals to be reserved.

**Table 7. Register File Address Map**

| Address (Hex)              | Register Description              | Mnemonic | Reset (Hex) | Page No            |
|----------------------------|-----------------------------------|----------|-------------|--------------------|
| <b>General Purpose RAM</b> |                                   |          |             |                    |
| 000–3FF                    | General-Purpose Register File RAM | —        | XX          |                    |
| 400–EFF                    | Reserved                          | —        | XX          |                    |
| <b>Timer 0</b>             |                                   |          |             |                    |
| F00                        | Timer 0 High Byte                 | T0H      | 00          | <a href="#">64</a> |
| F01                        | Timer 0 Low Byte                  | T0L      | 01          | <a href="#">64</a> |
| F02                        | Timer 0 Reload High Byte          | T0RH     | FF          | <a href="#">65</a> |
| F03                        | Timer 0 Reload Low Byte           | T0RL     | FF          | <a href="#">65</a> |
| F04                        | Timer 0 PWM High Byte             | T0PWMH   | 00          | <a href="#">66</a> |
| F05                        | Timer 0 PWM Low Byte              | T0PWML   | 00          | <a href="#">66</a> |
| F06                        | Timer 0 Control 0                 | T0CTL0   | 00          | <a href="#">68</a> |
| F07                        | Timer 0 Control 1                 | T0CTL1   | 00          | <a href="#">68</a> |
| <b>Timer 1</b>             |                                   |          |             |                    |
| F08                        | Timer 1 High Byte                 | T1H      | 00          | <a href="#">64</a> |
| F09                        | Timer 1 Low Byte                  | T1L      | 01          | <a href="#">64</a> |
| F0A                        | Timer 1 Reload High Byte          | T1RH     | FF          | <a href="#">65</a> |
| F0B                        | Timer 1 Reload Low Byte           | T1RL     | FF          | <a href="#">65</a> |
| F0C                        | Timer 1 PWM High Byte             | T1PWMH   | 00          | <a href="#">66</a> |
| F0D                        | Timer 1 PWM Low Byte              | T1PWML   | 00          | <a href="#">66</a> |
| F0E                        | Timer 1 Control 0                 | T1CTL0   | 00          | <a href="#">68</a> |
| F0F                        | Timer 1 Control 1                 | T1CTL1   | 00          | <a href="#">68</a> |
| F10–F3F                    | Reserved                          | —        | XX          |                    |

Note: XX = undefined.

Table 7. Register File Address Map (Continued)

| Address (Hex)  | Register Description                 | Mnemonic | Reset (Hex) | Page No             |
|--|--------------------------------------|----------|-------------|---------------------|
| <b>UART 0</b>  |                                      |          |             |                     |
| F40  | UART0 Transmit Data                  | U0TXD    | XX          | <a href="#">88</a>  |
|  | UART0 Receive Data                   | U0RXD    | XX          | <a href="#">89</a>  |
| F41  | UART0 Status 0                       | U0STAT0  | 0000011Xb   | <a href="#">90</a>  |
| F42  | UART0 Control 0                      | U0CTL0   | 00          | <a href="#">92</a>  |
| F43  | UART0 Control 1                      | U0CTL1   | 00          | <a href="#">92</a>  |
| F44  | UART0 Status 1                       | U0STAT1  | 00          | <a href="#">90</a>  |
| F45  | UART0 Address Compare Register       | U0ADDR   | 00          | <a href="#">94</a>  |
| F46  | UART0 Baud Rate High Byte            | U0BRH    | FF          | <a href="#">95</a>  |
| F47  | UART0 Baud Rate Low Byte             | U0BRL    | FF          | <a href="#">95</a>  |
| F48–F4F  | Reserved                             | —        | XX          |                     |
| <b>I<sup>2</sup>C</b>  |                                      |          |             |                     |
| F50  | I <sup>2</sup> C Data                | I2CDATA  | 00          | <a href="#">129</a> |
| F51  | I <sup>2</sup> C Status              | I2CSTAT  | 80          | <a href="#">129</a> |
| F52  | I <sup>2</sup> C Control             | I2CCTL   | 00          | <a href="#">131</a> |
| F53  | I <sup>2</sup> C Baud Rate High Byte | I2CBRH   | FF          | <a href="#">132</a> |
| F54  | I <sup>2</sup> C Baud Rate Low Byte  | I2CBRL   | FF          | <a href="#">132</a> |
| F55  | I <sup>2</sup> C Diagnostic State    | I2CDST   | XX000000b   | <a href="#">133</a> |
| F56  | I <sup>2</sup> C Diagnostic Control  | I2CDIAG  | 00          | <a href="#">135</a> |
| F57–F5F  | Reserved                             | —        | XX          |                     |
| <b>Serial Peripheral Interface (SPI) Unavailable in 20-Pin Package Devices</b> |                                      |          |             |                     |
| F60  | SPI Data                             | SPIDATA  | 01          | <a href="#">109</a> |
| F61  | SPI Control                          | SPICTL   | 00          | <a href="#">110</a> |
| F62  | SPI Status                           | SPISTAT  | 00          | <a href="#">111</a> |
| F63  | SPI Mode                             | SPIMODE  | 00          | <a href="#">112</a> |
| F64  | SPI Diagnostic State                 | SPIDST   | 00          | <a href="#">113</a> |
| F65  | Reserved                             | —        | XX          |                     |
| F66  | SPI Baud Rate High Byte              | SPIBRH   | FF          | <a href="#">114</a> |
| F67  | SPI Baud Rate Low Byte               | SPIBRL   | FF          | <a href="#">114</a> |
| F68–F6F  | Reserved                             | —        | XX          |                     |

Note: XX = undefined.

Table 7. Register File Address Map (Continued)

| Address (Hex)                            | Register Description  | Mnemonic | Reset (Hex) | Page No             |
|--|-----------------------|----------|-------------|---------------------|
| <b>Analog-to-Digital Converter (ADC)</b> |                       |          |             |                     |
| F70                                      | ADC Control           | ADCCTL   | 20          | <a href="#">139</a> |
| F71                                      | Reserved              | —        | XX          |                     |
| F72                                      | ADC Data High Byte    | ADCD_H   | XX          | <a href="#">141</a> |
| F73                                      | ADC Data Low Bits     | ADCD_L   | XX          | <a href="#">142</a> |
| F74–FBF                                  | Reserved              | —        | XX          |                     |
| <b>Interrupt Controller</b>              |                       |          |             |                     |
| FC0                                      | Interrupt Request 0   | IRQ0     | 00          | <a href="#">45</a>  |
| FC1                                      | IRQ0 Enable High Bit  | IRQ0ENH  | 00          | <a href="#">48</a>  |
| FC2                                      | IRQ0 Enable Low Bit   | IRQ0ENL  | 00          | <a href="#">48</a>  |
| FC3                                      | Interrupt Request 1   | IRQ1     | 00          | <a href="#">46</a>  |
| FC4                                      | IRQ1 Enable High Bit  | IRQ1ENH  | 00          | <a href="#">49</a>  |
| FC5                                      | IRQ1 Enable Low Bit   | IRQ1ENL  | 00          | <a href="#">49</a>  |
| FC6                                      | Interrupt Request 2   | IRQ2     | 00          | <a href="#">47</a>  |
| FC7                                      | IRQ2 Enable High Bit  | IRQ2ENH  | 00          | <a href="#">51</a>  |
| FC8                                      | IRQ2 Enable Low Bit   | IRQ2ENL  | 00          | <a href="#">51</a>  |
| FC9–FCC                                  | Reserved              | —        | XX          |                     |
| FCD                                      | Interrupt Edge Select | IRQES    | 00          | <a href="#">52</a>  |
| FCE                                      | Reserved              | —        | 00          |                     |
| FCF                                      | Interrupt Control     | IRQCTL   | 00          | <a href="#">53</a>  |
| <b>GPIO Port A</b>                       |                       |          |             |                     |
| FD0                                      | Port A Address        | PAADDR   | 00          | <a href="#">32</a>  |
| FD1                                      | Port A Control        | PACTL    | 00          | <a href="#">33</a>  |
| FD2                                      | Port A Input Data     | PAIN     | XX          | <a href="#">38</a>  |
| FD3                                      | Port A Output Data    | PAOUT    | 00          | <a href="#">39</a>  |
| <b>GPIO Port B</b>                       |                       |          |             |                     |
| FD4                                      | Port B Address        | PBADDR   | 00          | <a href="#">32</a>  |
| FD5                                      | Port B Control        | PBCTL    | 00          | <a href="#">33</a>  |
| FD6                                      | Port B Input Data     | PBIN     | XX          | <a href="#">38</a>  |
| FD7                                      | Port B Output Data    | PBOUT    | 00          | <a href="#">39</a>  |

Note: XX = undefined.

Table 7. Register File Address Map (Continued)

| Address (Hex)                  | Register Description                  | Mnemonic | Reset (Hex) | Page No  |
|--------------------------------|---------------------------------------|----------|-------------|--|
| <b>GPIO Port C</b>             |                                       |          |             |  |
| FD8                            | Port C Address                        | PCADDR   | 00          | <a href="#">32</a>   |
| FD9                            | Port C Control                        | PCCTL    | 00          | <a href="#">33</a>   |
| FDA                            | Port C Input Data                     | PCIN     | XX          | <a href="#">38</a>   |
| FDB                            | Port C Output Data                    | PCOUT    | 00          | <a href="#">39</a>   |
| FDC-FEF                        | Reserved                              | —        | XX          |  |
| <b>Watchdog Timer (WDT)</b>    |                                       |          |             |  |
| FF0                            | Watchdog Timer Control                | WDTCTL   | XXX00000b   | <a href="#">73</a>   |
| FF1                            | Watchdog Timer Reload Upper Byte      | WDTU     | FF          | <a href="#">75</a>   |
| FF2                            | Watchdog Timer Reload High Byte       | WDTH     | FF          | <a href="#">75</a>   |
| FF3                            | Watchdog Timer Reload Low Byte        | WDTL     | FF          | <a href="#">75</a>   |
| FF4-FF7                        | Reserved                              | —        | XX          |  |
| <b>Flash Memory Controller</b> |                                       |          |             |  |
| FF8                            | Flash Control                         | FCTL     | 00          | <a href="#">150</a>  |
| FF8                            | Flash Status                          | FSTAT    | 00          | <a href="#">151</a>  |
| FF9                            | Page Select                           | FPS      | 00          | <a href="#">152</a>  |
| FF9 (if enabled)               | Flash Sector Protect                  | FPROT    | 00          | <a href="#">153</a>  |
| FFA                            | Flash Programming Frequency High Byte | FFREQH   | 00          | <a href="#">153</a>  |
| FFB                            | Flash Programming Frequency Low Byte  | FFREQL   | 00          | <a href="#">153</a>  |
| <b>Read-Only Memory</b>        |                                       |          |             |  |
| FF8                            | Reserved                              | —        | XX          |  |
| FF9                            | Page Select                           | RPS      | 00          | <a href="#">152</a>  |
| FFA-FFB                        | Reserved                              | —        | XX          |  |
| <b>eZ8 CPU</b>                 |                                       |          |             |  |
| FFC                            | Flags                                 | —        | XX          | Refer to the <a href="#">eZ8 CPU Core User Manual (UM0128)</a> |
| FFD                            | Register Pointer                      | RP       | XX          |  |
| FFE                            | Stack Pointer High Byte               | SPH      | XX          |  |
| FFF                            | Stack Pointer Low Byte                | SPL      | XX          |  |
| Note: XX = undefined.          |                                       |          |             |  |

## Reset and Stop Mode Recovery

The Reset Controller within the Z8 Encore! XP<sup>®</sup> F0822 Series controls Reset and Stop Mode Recovery operation. In typical operation, the following events cause a Reset to occur:

- Power-On Reset (POR)
- Voltage Brown-Out
- WDT time-out (when configured through the WDT\_RES option bit to initiate a Reset)
- External  $\overline{\text{RESET}}$  pin assertion
- On-Chip Debugger initiated Reset (OCDCTL[0] set to 1)

When the Z8 Encore! XP<sup>®</sup> F0822 Series device is in STOP Mode, a Stop Mode Recovery is initiated by any of the following events:

- WDT time-out
- GPIO Port input pin transition on an enabled Stop Mode Recovery source
- DBG pin driven Low

### Reset Types

Z8 Encore! XP<sup>®</sup> F0822 Series provides two types of reset operation (System Reset and Stop Mode Recovery). The type of reset is a function of both the current operating mode of the Z8 Encore! XP<sup>®</sup> F0822 Series device and the source of the Reset. Table 8 lists the types of Resets and their operating characteristics.

**Table 8. Reset and Stop Mode Recovery Characteristics and Latency**

| Reset Type         | Reset Characteristics and Latency           |         |   |
|--------------------|---|---------|---|
|                    | Control Registers                           | eZ8 CPU | Reset Latency (Delay)                             |
| System Reset       | Reset (as applicable)                       | Reset   | 66 WDT Oscillator cycles + 16 System Clock cycles |
| Stop Mode Recovery | Unaffected, except for the WDT_CTL Register | Reset   | 66 WDT Oscillator cycles + 16 System Clock cycles |

### System Reset

During a System Reset, a Z8 Encore! XP<sup>®</sup> F0822 Series device is held in Reset for 66 cycles of the WDT oscillator followed by 16 cycles of the system clock. At the beginning

of Reset, all GPIO pins are configured as inputs. All GPIO programmable pull-ups are disabled.

During Reset, the eZ8 CPU and the on-chip peripherals are idle; however, the on-chip crystal oscillator and WDT oscillator continue to run. The system clock begins operating following the WDT oscillator cycle count. The eZ8 CPU and on-chip peripherals remain idle through all of the 16 cycles of the system clock.

Upon Reset, control registers within the Register File which have a defined Reset value are loaded with their reset values. Other control registers (including the Stack Pointer, Register Pointer, and Flags) and general-purpose RAM are undefined following the Reset. The eZ8 CPU fetches the Reset vector at Program memory addresses 0002H and 0003H and loads that value into the Program Counter. Program execution begins at the Reset vector address.

## Reset Sources

Table 9 lists the reset sources as a function of the operating mode. The remainder of this section provides more detail about the individual reset sources.

► **Note:** A POR/VBO event always has priority over all other possible reset sources to ensure a full system reset occurs.

**Table 9. Reset Sources and Resulting Reset Type**

| Operating Mode       | Reset Source                             | Reset Type   |
|----------------------|--|--|
| NORMAL or HALT modes | POR/VBO                                  | System Reset   |
|                      | WDT time-out when configured for Reset   | System Reset   |
|                      | $\overline{\text{RESET}}$ pin assertion  | System Reset   |
|                      | OCD-initiated Reset (OCDCTL[0] set to 1) | System Reset except the OCD is unaffected by the reset |
| STOP Mode            | POR/ VBO                                 | System Reset   |
|                      | $\overline{\text{RESET}}$ pin assertion  | System Reset   |
|                      | DBG pin driven Low                       | System Reset   |

## Power-On Reset

Each device in the Z8 Encore! XP® F0822 Series contains an internal POR circuit. The POR circuit monitors the supply voltage and holds the device in the Reset state until the supply voltage reaches a safe operating level. After the supply voltage exceeds the POR

voltage threshold ( $V_{POR}$ ), the POR Counter is enabled and counts 66 cycles of the WDT oscillator. After the POR counter times out, the XTAL Counter is enabled to count a total of 16 system clock pulses. The device is held in the Reset state until both the POR Counter and XTAL counter have timed out. After the Z8 Encore! XP<sup>®</sup> F0822 Series device exits the POR state, the eZ8 CPU fetches the Reset vector. Following POR, the POR status bit in the Watchdog Timer Control Register (WDTCTL) is set to 1.

Figure 6 displays POR operation. See the [Electrical Characteristics](#) chapter on page 176 for the POR threshold voltage ( $V_{POR}$ ).

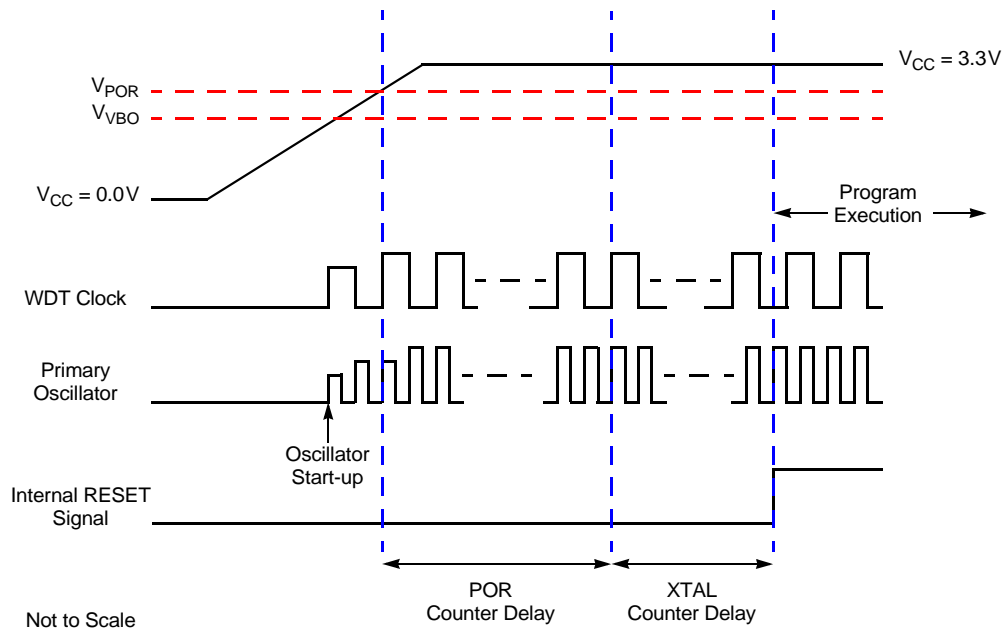


Figure 6. Power-On Reset Operation

## Voltage Brown-Out Reset

The devices in Z8 Encore! XP<sup>®</sup> F0822 Series provides low-voltage brown-out protection. The VBO circuit senses when the supply voltage drops to an unsafe level (below the VBO threshold voltage) and forces the device into the Reset state. While the supply voltage remains below the POR voltage threshold ( $V_{POR}$ ), the VBO block holds the device in the Reset state.

After the supply voltage again exceeds the POR voltage threshold, the device progresses through a full System Reset sequence as described in the POR section. Following POR,

the POR status bit in the Watchdog Timer Control Register (WDTCTL) is set to 1. Figure 7 displays the VBO operation. See the [Electrical Characteristics](#) chapter on page 176 for the VBO and POR threshold voltages ( $V_{VBO}$  and  $V_{POR}$ ).

The VBO circuit can be either enabled or disabled during STOP Mode. Operation during STOP Mode is set by the VBO\_AO option bit. For information about configuring VBO\_AO, see the [Option Bits](#) chapter on page 155.

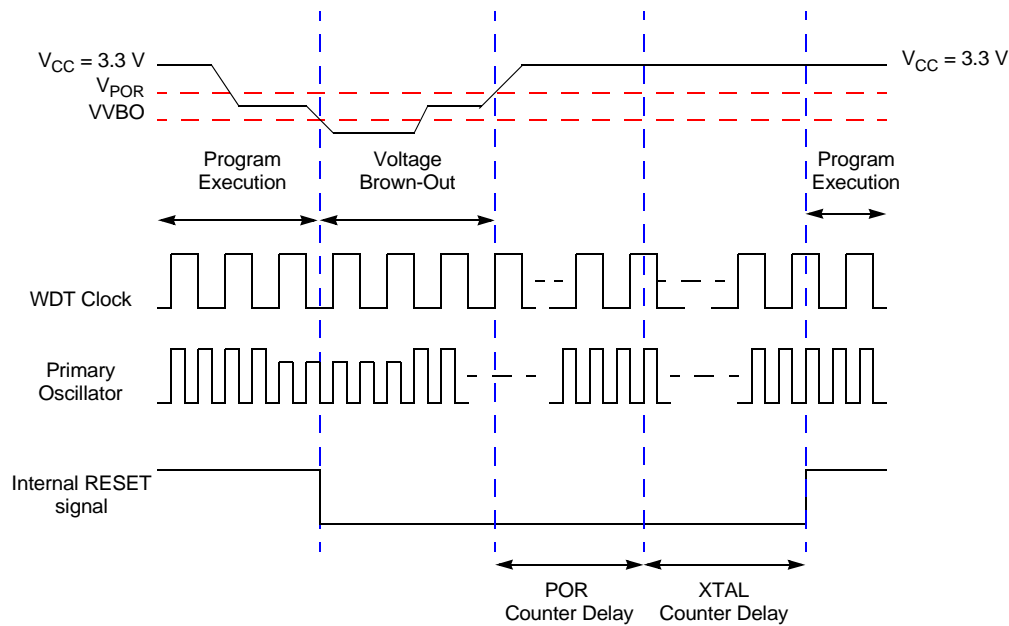


Figure 7. Voltage Brown-Out Reset Operation

## Watchdog Timer Reset

If the device is in NORMAL or HALT Mode, WDT initiates a System Reset at time-out, if the WDT\_RES option bit is set to 1. This setting is the default (unprogrammed) setting of the WDT\_RES option bit. The WDT status bit in the WDT Control Register is set to signify that the reset was initiated by the WDT.

## External Pin Reset

The  $\overline{\text{RESET}}$  pin contains a Schmitt-triggered input, an internal pull-up, an analog filter, and a digital filter to reject noise. After the  $\overline{\text{RESET}}$  pin is asserted for at least 4 system

clock cycles, the device progresses through the System Reset sequence. While the  $\overline{\text{RESET}}$  input pin is asserted Low, Z8 Encore! XP® F0822 Series device continues to be held in the Reset state. If the  $\overline{\text{RESET}}$  pin is held Low beyond the System Reset time-out, the device exits the Reset state immediately following  $\overline{\text{RESET}}$  pin deassertion. Following a System Reset initiated by the external  $\overline{\text{RESET}}$  pin, the EXT status bit in the Watchdog Timer Control Register (WDTCTL) is set to 1.

### On-Chip Debugger Initiated Reset

A POR is initiated using the OCD by setting the RST bit in the OCD Control Register. The OCD block is not reset but the rest of the chip goes through a normal system reset. The RST bit automatically clears during the system reset. Following the system reset, the POR bit in the WDT Control Register is set.

### Stop Mode Recovery

STOP Mode is entered by execution of a stop instruction by the eZ8 CPU. For detailed information about STOP Mode, see the [Low-Power Modes](#) chapter on page 27. During Stop Mode Recovery, the device is held in reset for 66 cycles of the WDT oscillator followed by 16 cycles of the system clock. Stop Mode Recovery only affects the contents of the WDT Control Register and does not affect any other values in the Register File including the Stack Pointer, Register Pointer, Flags, Peripheral Control registers, and General-Purpose RAM.

The eZ8 CPU fetches the Reset vector at Program memory addresses 0002H and 0003H and loads that value into the Program Counter. Program execution begins at the Reset vector address. Following Stop Mode Recovery, the stop bit in the WDT Control Register is set to 1. Table 10 lists the Stop Mode Recovery sources and resulting actions. The text following provides more detailed information about each of the Stop Mode Recovery sources.

**Table 10. Stop Mode Recovery Sources and Resulting Action**

| Operating Mode | Stop Mode Recovery Source   | Action   |
|----------------|---|--|
| STOP Mode      | WDT time-out when configured for Reset                                      | Stop Mode Recovery   |
|                | WDT time-out when configured for interrupt                                  | Stop Mode Recovery followed by interrupt (if interrupts are enabled) |
|                | Data transition on any GPIO Port pin enabled as a Stop Mode Recovery source | Stop Mode Recovery   |

## Stop Mode Recovery Using WDT Time-Out

If the WDT times out during STOP Mode, the device undergoes a Stop Mode Recovery sequence. In the WDT Control Register, the WDT and stop bits are set to 1. If the WDT is configured to generate an interrupt upon time-out and the Z8 Encore! XP<sup>®</sup> F0822 Series device is configured to respond to interrupts, the eZ8 CPU services the WDT interrupt request following the normal Stop Mode Recovery sequence.

## Stop Mode Recovery Using a GPIO Port Pin Transition

Each of the GPIO port pins can be configured as a Stop Mode Recovery input source. On any GPIO pin enabled as a STOP Mode Recover source, a change in the input pin value (from High to Low or from Low to High) initiates Stop Mode Recovery. The GPIO Stop Mode Recovery signals are filtered to reject pulses less than 10ns (typical) in duration. In the WDT Control Register, the stop bit is set to 1.



**Caution:** In STOP Mode, the GPIO Port Input Data registers (PxIN) are disabled. The Port Input Data registers record the Port transition only if the signal stays on the port pin through the end of the Stop Mode Recovery delay. Therefore, short pulses on the port pin initiates Stop Mode Recovery without being written to the Port Input Data Register or without initiating an interrupt (if enabled for that pin).

---

## Low-Power Modes

Z8 Encore! XP<sup>®</sup> F0822 Series products contain power-saving features. The highest level of power reduction is provided by STOP Mode. The next level of power reduction is provided by the HALT Mode.

### STOP Mode

Execution of the eZ8 CPU's stop instruction places the device into STOP Mode. In STOP Mode, the operating characteristics are:

- Primary crystal oscillator is stopped; the X<sub>IN</sub> pin is driven High and the X<sub>OUT</sub> pin is driven Low
- System clock is stopped
- eZ8 CPU is stopped
- Program counter (PC) stops incrementing
- If enabled for operation in STOP Mode, the WDT and its internal RC oscillator continue to operate
- If enabled for operation in STOP Mode through the associated option bit, the VBO protection circuit continues to operate
- All other on-chip peripherals are idle

To minimize current in STOP Mode, WDT must be disabled and all GPIO pins configured as digital inputs must be driven to one of the supply rails (V<sub>CC</sub> or GND). The device can be brought out of STOP Mode using Stop Mode Recovery. For more information about Stop Mode Recovery, see the [Reset and Stop Mode Recovery](#) chapter on page 21.



**Caution:** STOP Mode must not be used when driving the Z8F082x family devices with an external clock driver source.

---

### HALT Mode

Execution of the eZ8 CPU's HALT instruction places the device into HALT Mode. In HALT Mode, the operating characteristics are:

- Primary crystal oscillator is enabled and continues to operate

- System clock is enabled and continues to operate
- eZ8 CPU is stopped
- Program counter stops incrementing
- WDT's internal RC oscillator continues to operate
- If enabled, the WDT continues to operate
- All other on-chip peripherals continue to operate

The eZ8 CPU can be brought out of HALT Mode by any of the following operations:

- Interrupt
- WDT time-out (interrupt or reset)
- Power-On Reset
- Voltage Brown-Out reset
- External  $\overline{\text{RESET}}$  pin assertion

To minimize current in HALT Mode, all GPIO pins which are configured as inputs must be driven to one of the supply rails ( $V_{CC}$  or GND).

## General-Purpose Input/Output

Z8 Encore! XP<sup>®</sup> F0822 Series products support a maximum of 19 Port A–C pins for General-Purpose Input/Output (GPIO) operations. Each port consists Control and Data registers. The GPIO Control registers are used to determine data direction, open-drain, output drive current, programmable pull-ups, Stop Mode Recovery functionality, and alternate pin functions. Each port pin is individually programmable. Ports A and C support 5 V-tolerant inputs.

### GPIO Port Availability by Device

Table 11 lists the port pins available with each device and package type.

**Table 11. Port Availability by Device and Package Type**

| Devices                            | Package | Port A | Port B | Port C |
|------------------------------------|---------|--------|--------|--------|
| Z8X0821, Z8X0811, Z8X0421, Z8X0411 | 20-pin  | [7:0]  | [1:0]  | [0]    |
| Z8X0822, Z8X0812, Z8X0422, Z8X0412 | 28-pin  | [7:0]  | [4:0]  | [5:0]  |

### Architecture

Figure 8 displays a simplified block diagram of a GPIO port pin. It does not display the ability to accommodate alternate functions, variable port current drive strength, and programmable pull-up.

### GPIO Alternate Functions

Many of the GPIO port pins are used as both general-purpose I/O and to provide access to on-chip peripheral functions such as timers and serial communication devices. The Port A–C Alternate Function subregisters configure these pins for either general-purpose I/O or alternate function operation. When a pin is configured for alternate function, control of the port-pin direction (input/output) is passed from the Port A–C Data Direction registers to the alternate function assigned to this pin. Table 12 lists the alternate functions associated with each port pin.

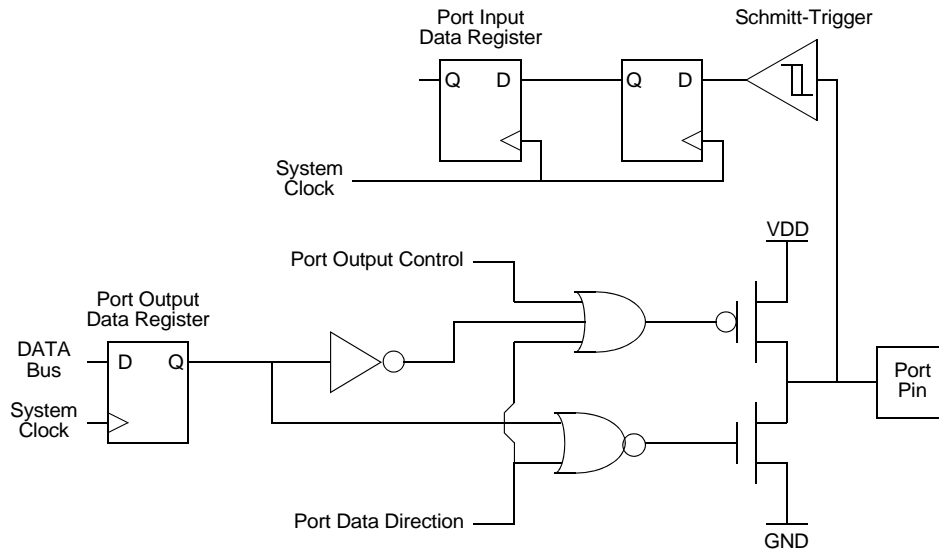


Figure 8. GPIO Port Pin Block Diagram

Table 12. Port Alternate Function Mapping

| Port          | Pin | Mnemonic   | Alternate Function Description                    |
|---------------|-----|------------|---|
| <b>Port A</b> | PA0 | T0IN       | Timer 0 Input                                     |
|               | PA1 | T0OUT      | Timer 0 Output                                    |
|               | PA2 | DE         | UART 0 Driver Enable                              |
|               | PA3 | CTS0       | UART 0 Clear to Send                              |
|               | PA4 | RXD0/IRRX0 | UART 0/IrDA 0 Receive Data                        |
|               | PA5 | TXD0/IRTX0 | UART 0/IrDA 0 Transmit Data                       |
|               | PA6 | SCL        | I <sup>2</sup> C Clock (automatically open-drain) |
|               | PA7 | SDA        | I <sup>2</sup> C Data (automatically open-drain)  |
| <b>Port B</b> | PB0 | ANA0       | ADC Analog Input 0                                |
|               | PB1 | ANA1       | ADC Analog Input 1                                |
|               | PB2 | ANA2       | ADC Analog Input 2                                |
|               | PB3 | ANA3       | ADC Analog Input 3                                |
|               | PB4 | ANA4       | ADC Analog Input 4                                |

**Table 12. Port Alternate Function Mapping (Continued)**

| Port          | Pin | Mnemonic | Alternate Function Description |
|---------------|-----|----------|--------------------------------|
| <b>Port C</b> | PC0 | T1IN     | Timer 1 Input                  |
|               | PC1 | T1OUT    | Timer 1 Output                 |
|               | PC2 | SS       | SPI Slave Select               |
|               | PC3 | SCK      | SPI Serial Clock               |
|               | PC4 | MOSI     | SPI Master Out Slave In        |
|               | PC5 | MISO     | SPI Master In Slave Out        |

## GPIO Interrupts

Many of GPIO port pins are used as interrupt sources. Some port pins are configured to generate an interrupt request on either the rising edge or falling edge of the pin input signal. Other port pin interrupts generate an interrupt when any edge occurs (both rising and falling). For more details about interrupts using the GPIO pins, see Figure 8.

## GPIO Control Register Definitions

Four registers for each port provide access to GPIO control, input data, and output data. Table 13 lists the GPIO port registers and subregisters. Use the Port A–C Address and Control registers together to provide access to subregisters for Port configuration and control.

**Table 13. GPIO Port Registers and Subregisters**

| Port Register Mnemonic    | Port Register Name  |
|---------------------------|---|
| PxADDR                    | Port A–C Address Register (selects subregisters)            |
| PxCTL                     | Port A–C Control Register (provides access to subregisters) |
| PxIN                      | Port A–C Input Data Register                                |
| PxOUT                     | Port A–C Output Data Register                               |
| Port Subregister Mnemonic | Port Register Name  |
| PxDD                      | Data Direction  |
| PxAF                      | Alternate Function  |
| PxOC                      | Output Control (Open-Drain)                                 |
| PxHDE                     | High Drive Enable   |
| PxSMRE                    | Stop Mode Recovery Source Enable                            |
| PxPUE                     | Pull-up Enable  |

## Port A–C Address Registers

The Port A–C Address registers, shown in Table 14, select the GPIO port functionality accessible through the Port A–C Control registers. The Port A–C Address and Control registers combine to provide access to all GPIO port control.

**Table 14. Port A–C GPIO Address Registers (PxADDR)**

| Bit            | 7                | 6 | 5 | 4 | 3 | 2 | 1 | 0 |
|----------------|------------------|---|---|---|---|---|---|---|
| <b>Field</b>   | PADDR[7:0]       |   |   |   |   |   |   |   |
| <b>RESET</b>   | 00H              |   |   |   |   |   |   |   |
| <b>R/W</b>     | R/W              |   |   |   |   |   |   |   |
| <b>Address</b> | FD0H, FD4H, FD8H |   |   |   |   |   |   |   |

| Bit   | Description  |
|-------|--|
| [7:0] | <b>Port Address</b>  |
| PADDR | The Port Address selects one of the subregisters accessible through the Port Control Register.<br>00H = No function. Provides some protection against accidental port reconfiguration.<br>01H = Data Direction.<br>02H = Alternate Function.<br>03H = Output Control (Open-Drain).<br>04H = High Drive Enable.<br>05H = Stop Mode Recovery Source Enable.<br>06H = Pull-up Enable.<br>07H–FFH = no function. |

## Port A–C Control Registers

The Port A–C Control registers, shown in Table 15, set the GPIO port operation. The value in the corresponding Port A–C Address Register determines the control subregisters accessible using the Port A–C Control Register.

**Table 15. Port A–C Control Registers (PxCTL)**

| Bit     | 7                | 6 | 5 | 4 | 3 | 2 | 1 | 0 |
|---------|------------------|---|---|---|---|---|---|---|
| Field   | PCTL             |   |   |   |   |   |   |   |
| RESET   | 00H              |   |   |   |   |   |   |   |
| R/W     | R/W              |   |   |   |   |   |   |   |
| Address | FD1H, FD5H, FD9H |   |   |   |   |   |   |   |

| Bit           | Description  |
|---------------|--|
| [7:0]<br>PCTL | <b>Port Control</b><br>The Port Control Register provides access to all subregisters that configure the GPIO port operation. |

## Port A–C Data Direction Subregisters

The Port A–C Data Direction Subregister, shown in Table 16, is accessed through the Port A–C Control Register by writing 01H to the Port A–C Address Register.

**Table 16. Port A–C Data Direction Subregisters**

| Bit     | 7             | 6   | 5   | 4   | 3   | 2   | 1   | 0   |
|---------|---------------|-----|-----|-----|-----|-----|-----|-----|
| Field   | DD7           | DD6 | DD5 | DD4 | DD3 | DD2 | DD1 | DD0 |
| RESET   | 1             |     |     |     |     |     |     |     |
| R/W     | R/W           |     |     |     |     |     |     |     |
| Address | See footnote. |     |     |     |     |     |     |     |

Note: If 01H is written to the Port A–C Address Register, then it is accessible via the Port A–C Control Register.

| Bit          | Description   |
|--------------|---|
| [7:0]<br>DDx | <b>Data Direction</b><br>These bits control the direction of the associated port pin. Port Alternate Function operation overrides the Data Direction Register setting.<br>0 = Output. Data in the Port A–C Output Data Register is driven onto the port pin.<br>1 = Input. The port pin is sampled and the value written into the Port A–C Input Data Register.<br>The output driver is tri-stated. |

Note: x indicates register bits in the range [7:0].

### Port A–C Alternate Function Subregisters

The Port A–C Alternate Function Subregister, shown in Table 17, is accessed through the Port A–C Control Register by writing 02H to the Port A–C Address Register. The Port A–C Alternate Function subregisters select the alternate functions for the selected pins. To determine the alternate function associated with each port pin, see [Figure 8](#) on page 30.



**Caution:** Do not enable alternate functions for GPIO port pins which do not have an associated alternate function. Failure to follow this guideline can result in unpredictable operation.

**Table 17. Port A–CA–C Alternate Function Subregisters**

| Bit  | 7             | 6   | 5   | 4   | 3   | 2   | 1   | 0   |
|--|---------------|-----|-----|-----|-----|-----|-----|-----|
| Field  | AF7           | AF6 | AF5 | AF4 | AF3 | AF2 | AF1 | AF0 |
| RESET  | 0             |     |     |     |     |     |     |     |
| R/W  | R/W           |     |     |     |     |     |     |     |
| Address  | See footnote. |     |     |     |     |     |     |     |
| Note: If 02H is written to the Port A–C Address Register, then it is accessible via the Port A–C Control Register. |               |     |     |     |     |     |     |     |

| Bit   | Description   |
|---|---|
| [7:0]   | <b>Port Alternate Function enabled</b>  |
| AFx   | 0 = The port pin is in NORMAL Mode and the DDx bit in the Port A–C Data Direction Subregister determines the direction of the pin.<br>1 = The alternate function is selected. Port pin operation is controlled by the alternate function. |
| Note: x indicates register bits in the range [7:0]. |   |

### Port A–C Output Control Subregisters

The Port A–C Output Control Subregister, shown in Table 18, is accessed through the Port A–C Control Register by writing 03H to the Port A–C Address Register. Setting the bits in the Port A–C Output Control subregisters to 1 configures the specified port pins for open-drain operation. These subregisters affect the pins directly and, as a result, alternate functions are also affected.

**Table 18. Port A–C Output Control Subregisters**

| Bit  | 7             | 6    | 5    | 4    | 3    | 2    | 1    | 0    |
|--|---------------|------|------|------|------|------|------|------|
| <b>Field</b>   | POC7          | POC6 | POC5 | POC4 | POC3 | POC2 | POC1 | POC0 |
| <b>RESET</b>   | 0             |      |      |      |      |      |      |      |
| <b>R/W</b>   | R/W           |      |      |      |      |      |      |      |
| <b>Address</b>   | See footnote. |      |      |      |      |      |      |      |
| Note: If 03H is written to the Port A–C Address Register, then it is accessible via the Port A–C Control Register. |               |      |      |      |      |      |      |      |

| Bit   | Description   |
|---|---|
| [7:0]   | <b>Port Output Control</b>  |
| POCx  | These bits function independently of the alternate function bit and always disable the drains if set to 1.<br>0 = The drains are enabled for any output mode (unless overridden by the alternate function).<br>1 = The drain of the associated pin is disabled (open-drain mode). |
| Note: x indicates register bits in the range [7:0]. |   |

### Port A–C High Drive Enable Subregisters

The Port A–C High Drive Enable Subregister, shown in Table 19, is accessed through the Port A–C Control Register by writing 04H to the Port A–C Address Register. Setting the bits in the Port A–C High Drive Enable subregisters to 1 configures the specified port pins for high-output current drive operation. The Port A–C High Drive Enable Subregister affects the pins directly and, as a result, alternate functions are also affected.

**Table 19. Port A–C High Drive Enable Subregisters**

| Bit  | 7             | 6     | 5     | 4     | 3     | 2     | 1     | 0     |
|--|---------------|-------|-------|-------|-------|-------|-------|-------|
| <b>Field</b>   | PHDE7         | PHDE6 | PHDE5 | PHDE4 | PHDE3 | PHDE2 | PHDE1 | PHDE0 |
| <b>RESET</b>   | 0             |       |       |       |       |       |       |       |
| <b>R/W</b>   | R/W           |       |       |       |       |       |       |       |
| <b>Address</b>   | See footnote. |       |       |       |       |       |       |       |
| Note: If 04H is written to the Port A–C Address Register, then it is accessible via the Port A–C Control Register. |               |       |       |       |       |       |       |       |

| Bit   | Description  |
|---|--|
| [7:0]   | <b>Port High Drive Enabled</b>   |
| PHDE <sub>x</sub>                                   | 0 = The port pin is configured for standard-output current drive.<br>1 = The port pin is configured for high-output current drive. |
| Note: x indicates register bits in the range [7:0]. |  |

### Port A–C Stop Mode Recovery Source Enable Subregisters

The Port A–C Stop Mode Recovery Source Enable Subregister, shown in Table 20, is accessed through the Port A–C Control Register by writing 05H to the Port A–C Address Register. Setting the bits in the Port A–C Stop Mode Recovery Source Enable subregisters to 1 configures the specified Port pins as a Stop Mode Recovery source. During STOP Mode, any logic transition on a Port pin enabled as a Stop Mode Recovery source initiates Stop Mode Recovery.

**Table 20. Port A–C Stop Mode Recovery Source Enable Subregisters**

| Bit  | 7             | 6      | 5      | 4      | 3      | 2      | 1      | 0      |
|--|---------------|--------|--------|--------|--------|--------|--------|--------|
| Field  | PSMRE7        | PSMRE6 | PSMRE5 | PSMRE4 | PSMRE3 | PSMRE2 | PSMRE1 | PSMRE0 |
| RESET  | 0             |        |        |        |        |        |        |        |
| R/W  | R/W           |        |        |        |        |        |        |        |
| Address  | See footnote. |        |        |        |        |        |        |        |
| Note: If 05H is written to the Port A–C Address Register, then it is accessible through the Port A–C Control Register. |               |        |        |        |        |        |        |        |

| Bit   | Description   |
|---|---|
| [7:0]   | <b>Port Stop Mode Recovery Source Enabled</b>   |
| PSMRE <sub>x</sub>                                  | 0 = The port pin is not configured as a Stop Mode Recovery source. Transitions on this pin during STOP Mode does not initiate Stop Mode Recovery.<br>1 = The port pin is configured as a Stop Mode Recovery source. Any logic transition on this pin during STOP Mode initiates Stop Mode Recovery. |
| Note: x indicates register bits in the range [7:0]. |   |

### Port A–C Pull-up Enable Subregisters

The Port A–C Pull-Up Enable Subregister, shown in Table 21, is accessed through the Port A–C Control Register by writing 06H to the Port A–C Address Register. Setting the bits in the Port A–C Pull-Up Enable subregisters enables a weak internal resistive pull-up on the specified Port pins.

**Table 21. Port A–C Pull-Up Enable Subregisters**

| Bit            | 7             | 6     | 5     | 4     | 3     | 2     | 1     | 0     |
|----------------|---------------|-------|-------|-------|-------|-------|-------|-------|
| <b>Field</b>   | PPUE7         | PPUE6 | PPUE5 | PPUE4 | PPUE3 | PPUE2 | PPUE1 | PPUE0 |
| <b>RESET</b>   | 0             |       |       |       |       |       |       |       |
| <b>R/W</b>     | R/W           |       |       |       |       |       |       |       |
| <b>Address</b> | See footnote. |       |       |       |       |       |       |       |

Note: If 06H is written to the Port A–C Address Register, then it is accessible through the Port A–C Control Register.

| Bit               | Description   |
|-------------------|---|
| [7:0]             | <b>Port Pull-up Enabled</b>   |
| PPUE <sub>x</sub> | 0 = The weak pull-up on the port pin is disabled.<br>1 = The weak pull-up on the port pin is enabled. |

Note: x indicates register bits in the range [7:0].

### Port A–C Input Data Registers

Reading from the Port A–C Input Data registers, shown in Table 22, returns the sampled values from the corresponding port pins. The Port A–C Input Data registers are read-only.

**Table 22. Port A–C Input Data Registers (PxIN)**

| Bit            | 7                | 6    | 5    | 4    | 3    | 2    | 1    | 0    |
|----------------|------------------|------|------|------|------|------|------|------|
| <b>Field</b>   | PIN7             | PIN6 | PIN5 | PIN4 | PIN3 | PIN2 | PIN1 | PIN0 |
| <b>RESET</b>   | X                |      |      |      |      |      |      |      |
| <b>R/W</b>     | R                |      |      |      |      |      |      |      |
| <b>Address</b> | FD2H, FD6H, FDAH |      |      |      |      |      |      |      |

| Bit   | Description  |
|-------|--|
| [7:0] | <b>Port Input Data</b>   |
| PxIN  | Sampled data from the corresponding port pin input.<br>0 = Input data is logical 0 (Low).<br>1 = Input data is logical 1 (High). |

Note: x indicates register bits in the range [7:0].

## Port A–C Output Data Register

The Port A–C Output Data Register, shown in Table 23, controls the output data to the pins.

**Table 23. Port A–C Output Data Register (PxOUT)**

| Bit     | 7                | 6     | 5     | 4     | 3     | 2     | 1     | 0     |
|---------|------------------|-------|-------|-------|-------|-------|-------|-------|
| Field   | POUT7            | POUT6 | POUT5 | POUT4 | POUT3 | POUT2 | POUT1 | POUT0 |
| RESET   | 0                |       |       |       |       |       |       |       |
| R/W     | R/W              |       |       |       |       |       |       |       |
| Address | FD3H, FD7H, FDBH |       |       |       |       |       |       |       |

| Bit   | Description   |
|-------|---|
| [7:0] | <b>Port Output Data</b>   |
| PxOUT | These bits contain the data to be driven to the port pins. The values are only driven if the corresponding pin is configured as an output and the pin is not configured for alternate function operation.<br>0 = Drive a logical 0 (Low).<br>1 = Drive a logical 1 (High). This High value is not driven if the drain has been disabled by setting the corresponding Port Output Control Register bit to 1. |

Note: x indicates register bits in the range [7:0].

## Interrupt Controller

The interrupt controller on Z8 Encore! XP<sup>®</sup> F0822 Series products prioritizes the interrupt requests from the on-chip peripherals and the GPIO port pins. The features of the interrupt controller include the following:

- 19 unique interrupt vectors:
  - 12 GPIO port pin interrupt sources
  - 7 On-chip peripheral interrupt sources
  
- Flexible GPIO interrupts:
  - 8 selectable rising and falling edge GPIO interrupts
  - 4 dual-edge interrupts
  
- Three levels of individually programmable interrupt priority
- WDT is configured to generate an interrupt

Interrupt Requests (IRQs) allow peripheral devices to suspend CPU operation in an orderly manner and force the CPU to start an Interrupt Service Routine (ISR). Usually this ISR is involved with the exchange of data, status information, or control information between the CPU and the interrupting peripheral. When the service routine is completed, the CPU returns to the operation from which it was interrupted.

The eZ8 CPU supports both vectored and polled interrupt handling. For polled interrupts, the interrupt control has no effect on operation. For more information about interrupt servicing, refer to the [eZ8 CPU Core User Manual \(UM0128\)](#), which is available for download at [www.zilog.com](http://www.zilog.com).

### Interrupt Vector Listing

Table 24 lists all of the interrupts available in order of priority. The interrupt vector is stored with the most significant byte (MSB) at the even program memory address and the least significant byte (LSB) at the following odd program memory address.

**Table 24. Interrupt Vectors in Order of Priority**

| Priority | Program Memory Vector Address | Interrupt Source   |                           |
|----------|-------------------------------|--|---------------------------|
| Highest  | 0002H                         | Reset (not an interrupt)   |                           |
|          | 0004H                         | WDT (see <a href="#">the Watchdog Timer chapter on page 70</a> ) |                           |
|          | 0006H                         | Illegal Instruction Trap (not an interrupt)                      |                           |
|          | 0008H                         | Reserved   |                           |
|          | 000AH                         | Timer 1  |                           |
|          | 000CH                         | Timer 0  |                           |
|          | 000EH                         | UART 0 receiver  |                           |
|          | 0010H                         | UART 0 transmitter   |                           |
|          | 0012H                         | I <sup>2</sup> C   |                           |
|          | 0014H                         | SPI  |                           |
|          | 0016H                         | ADC  |                           |
|          | 0018H                         | Port A7, rising or falling input edge                            |                           |
|          | 001AH                         | Port A6, rising or falling input edge                            |                           |
|          | 001CH                         | Port A5, rising or falling input edge                            |                           |
|          | 001EH                         | Port A4, rising or falling input edge                            |                           |
|          | 0020H                         | Port A3, rising or falling input edge                            |                           |
|          | 0022H                         | Port A2, rising or falling input edge                            |                           |
|          | 0024H                         | Port A1, rising or falling input edge                            |                           |
|          | 0026H                         | Port A0, rising or falling input edge                            |                           |
|          | 0028H                         | Reserved   |                           |
|          | 002AH                         | Reserved   |                           |
|          | 002CH                         | Reserved   |                           |
|          | 002EH                         | Reserved   |                           |
|          | 0030H                         | Port C3, both input edges  |                           |
|          | 0032H                         | Port C2, both input edges  |                           |
|          | 0034H                         | Port C1, both input edges  |                           |
|          | Lowest                        | 0036H  | Port C0, both input edges |

## Architecture

Figure 9 displays a block diagram of the interrupt controller.

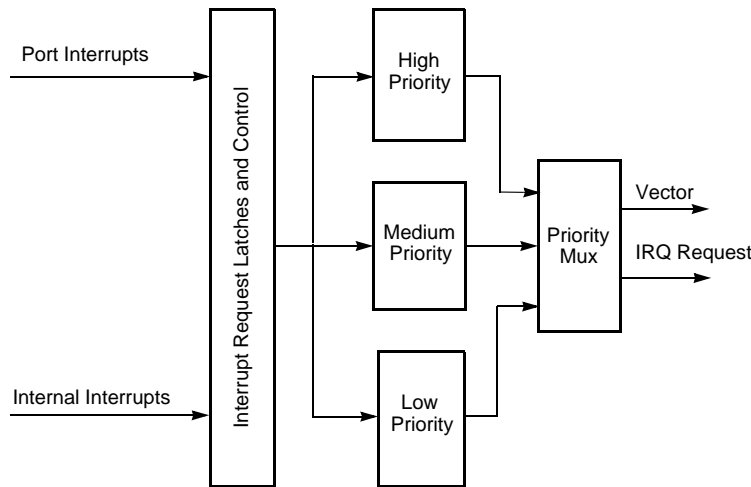


Figure 9. Interrupt Controller Block Diagram

## Operation

This section describes the operational aspects of the following functions.

[Master Interrupt Enable](#): see page 42

[Interrupt Vectors and Priority](#): see page 43

[Interrupt Assertion](#): see page 43

[Software Interrupt Assertion](#): see page 44

### Master Interrupt Enable

The master interrupt enable bit (IRQE) in the Interrupt Control Register globally enables and disables interrupts.

Interrupts are globally enabled by any of the following actions:

- Execution of an Enable Interrupt (EI) instruction
- Execution of an Return from Interrupt (IRET) instruction

- Writing a 1 to the IRQE bit in the Interrupt Control Register

Interrupts are globally disabled by any of the following actions:

- Execution of a Disable Interrupt (DI) instruction
- eZ8 CPU acknowledgement of an interrupt service request from the interrupt controller
- Writing a 0 to the IRQE bit in the Interrupt Control Register
- Reset
- Execution of a trap instruction
- Illegal instruction trap

## Interrupt Vectors and Priority

The interrupt controller supports three levels of interrupt priority. Level 3 is the highest priority, Level 2 is the second highest priority, and Level 1 is the lowest priority. If all of the interrupts were enabled with identical interrupt priority (all as Level 2 interrupts), then interrupt priority would be assigned from highest to lowest as specified in [Table 24](#). Level 3 interrupts always have higher priority than Level 2 interrupts which in turn always have higher priority than Level 1 interrupts. Within each interrupt priority level (Level 1, Level 2, or Level 3), priority is assigned as specified in [Table 24](#). A Reset, WDT interrupt (if enabled), and an Illegal Instruction Trap will always have the highest priority.

## Interrupt Assertion

Interrupt sources assert their interrupt requests for only a single system clock period (single pulse). When the interrupt request is acknowledged by the eZ8 CPU, the corresponding bit in the Interrupt Request Register is cleared until the next interrupt occurs. Writing a 0 to the corresponding bit in the Interrupt Request Register likewise clears the interrupt request.



**Caution:** Zilog recommends not using a coding style that clears bits in the Interrupt Request registers. All incoming interrupts received between execution of the first LDX command and the final LDX command are lost. See Example 1, which follows.

---

**Example 1.** A poor coding style that can result in lost interrupt requests:

```
LDX r0, IRQ0
AND r0, MASK
LDX IRQ0, r0
```

To avoid missing interrupts, use the coding style in Example 2 to clear bits in the Interrupt Request 0 Register:

**Example 2.** A good coding style that avoids lost interrupt requests:

```
ANDX IRQ0, MASK
```

## Software Interrupt Assertion

Program code generates interrupts directly. Writing 1 to the appropriate bit in the Interrupt Request Register triggers an interrupt (assuming that interrupt is enabled). When the interrupt request is acknowledged by the eZ8 CPU, the bit in the Interrupt Request Register is automatically cleared to 0.



**Caution:** Zilog recommends not using a coding style to generate software interrupts by setting bits in the Interrupt Request registers. All incoming interrupts received between execution of the first LDX command and the final LDX command are lost. See Example 3, which follows.

---

**Example 3.** A poor coding style that can result in lost interrupt requests:

```
LDX r0, IRQ0  
OR r0, MASK  
LDX IRQ0, r0
```

To avoid missing interrupts, use the coding style in Example 4 to set bits in the Interrupt Request registers:

**Example 4.** A good coding style that avoids lost interrupt requests:

```
ORX IRQ0, MASK
```

## Interrupt Control Register Definitions

For all interrupts other than the WDT interrupt, the Interrupt Control registers enable individual interrupts, set interrupt priorities, and indicate interrupt requests.

### Interrupt Request 0 Register

The Interrupt Request 0 (IRQ0) Register, shown in Table 25, stores the interrupt requests for both vectored and polled interrupts. When a request is presented to the interrupt controller, the corresponding bit in the IRQ0 Register becomes 1. If interrupts are globally enabled (vectored interrupts), the interrupt controller passes an interrupt request to the eZ8 CPU. If interrupts are globally disabled (polled interrupts), the eZ8 CPU reads the IRQ0 Register to determine if any interrupt requests are pending.

**Table 25. Interrupt Request 0 Register (IRQ0)**

| Bit     | 7        | 6   | 5   | 4     | 3     | 2    | 1    | 0    |
|---------|----------|-----|-----|-------|-------|------|------|------|
| Field   | Reserved | T1I | T0I | U0RXI | U0TXI | I2CI | SPII | ADCI |
| RESET   | 0        |     |     |       |       |      |      |      |
| R/W     | R/W      |     |     |       |       |      |      |      |
| Address | FC0H     |     |     |       |       |      |      |      |

| Bit          | Description   |
|--------------|---|
| [7]          | <b>Reserved</b><br>This bit is reserved and must be programmed to 0.  |
| [6]<br>T1I   | <b>Timer 1 Interrupt Request</b><br>0 = No interrupt request is pending for Timer 1.<br>1 = An interrupt request from Timer 1 is awaiting service.  |
| [5]<br>T0I   | <b>Timer 0 Interrupt Request</b><br>0 = No interrupt request is pending for Timer 0.<br>1 = An interrupt request from Timer 0 is awaiting service.  |
| [4]<br>U0RXI | <b>UART 0 Receiver Interrupt Request</b><br>0 = No interrupt request is pending for the UART 0 receiver.<br>1 = An interrupt request from the UART 0 receiver is awaiting service.          |
| [3]<br>U0TXI | <b>UART 0 Transmitter Interrupt Request</b><br>0 = No interrupt request is pending for the UART 0 transmitter.<br>1 = An interrupt request from the UART 0 transmitter is awaiting service. |
| [2]<br>I2CI  | <b>I<sup>2</sup>C Interrupt Request</b><br>0 = No interrupt request is pending for the I <sup>2</sup> C.<br>1 = An interrupt request from the I <sup>2</sup> C is awaiting service.         |

| Bit         | Description (Continued)  |
|-------------|--|
| [1]<br>SPII | <b>SPI Interrupt Request</b><br>0 = No interrupt request is pending for the SPI.<br>1 = An interrupt request from the SPI is awaiting service. |
| [0]<br>ADCI | <b>ADC Interrupt Request</b><br>0 = No interrupt request is pending for the ADC.<br>1 = An interrupt request from the ADC is awaiting service. |

## Interrupt Request 1 Register

The Interrupt Request 1 (IRQ1) Register, shown in Table 26, stores interrupt requests for both vectored and polled interrupts. When a request is presented to the interrupt controller, the corresponding bit in the IRQ1 Register becomes 1. If interrupts are globally enabled (vectored interrupts), the interrupt controller passes an interrupt request to the eZ8 CPU. If interrupts are globally disabled (polled interrupts), the eZ8 CPU reads the IRQ1 Register to determine if any interrupt requests are pending.

**Table 26. Interrupt Request 1 Register (IRQ1)**

| Bit            | 7    | 6    | 5    | 4    | 3    | 2    | 1    | 0    |
|----------------|------|------|------|------|------|------|------|------|
| <b>Field</b>   | PA7I | PA6I | PA5I | PA4I | PA3I | PA2I | PA1I | PA0I |
| <b>RESET</b>   | 0    |      |      |      |      |      |      |      |
| <b>R/W</b>     | R/W  |      |      |      |      |      |      |      |
| <b>Address</b> | FC3H |      |      |      |      |      |      |      |

| Bit           | Description   |
|---------------|---|
| [7:0]<br>PAxI | <b>Port A Pin x Interrupt Request</b><br>0 = No interrupt request is pending for GPIO Port A pin x.<br>1 = An interrupt request from GPIO Port A pin x is awaiting service. |

Note: x indicates register bits in the range [7:0].

## Interrupt Request 2 Register

The Interrupt Request 2 (IRQ2) Register, shown in Table 27, stores interrupt requests for both vectored and polled interrupts. When a request is presented to the interrupt controller, the corresponding bit in the IRQ2 Register becomes 1. If interrupts are globally enabled (vectored interrupts), the interrupt controller passes an interrupt request to the eZ8 CPU. If interrupts are globally disabled (polled interrupts), the eZ8 CPU reads the IRQ2 Register to determine if any interrupt requests are pending.

**Table 27. Interrupt Request 2 Register (IRQ2)**

| Bit     | 7        | 6 | 5 | 4 | 3    | 2    | 1    | 0    |
|---------|----------|---|---|---|------|------|------|------|
| Field   | Reserved |   |   |   | PC3I | PC2I | PC1I | PC0I |
| RESET   | 0        |   |   |   |      |      |      |      |
| R/W     | R/W      |   |   |   |      |      |      |      |
| Address | FC6H     |   |   |   |      |      |      |      |

| Bit   | Description  |
|-------|--|
| [7:4] | <b>Reserved</b><br>These bits are reserved and must be programmed to 0000.   |
| [3:0] | <b>Port C Pin x Interrupt Request</b>  |
| PCxI  | 0 = No interrupt request is pending for GPIO Port C pin x.<br>1 = An interrupt request from GPIO Port C pin x is awaiting service. |

Note: x indicates register bits in the range [3:0].

## IRQ0 Enable High and Low Bit Registers

Table 28 describes the priority control for IRQ0. The IRQ0 Enable High and Low Bit registers, shown in Tables 29 and 30, form a priority-encoded enabling for interrupts in the Interrupt Request 0 Register. Priority is generated by setting bits in each register.

**Table 28. IRQ0 Enable and Priority Encoding**

| IRQ0ENH[x] | IRQ0ENL[x] | Priority | Description |
|------------|------------|----------|-------------|
| 0          | 0          | Disabled | Disabled    |
| 0          | 1          | Level 1  | Low         |
| 1          | 0          | Level 2  | Nominal     |
| 1          | 1          | Level 3  | High        |

Note: x indicates register bits in the range [7:0].

**Table 29. IRQ0 Enable High Bit Register (IRQ0ENH)**

| Bit            | 7        | 6     | 5     | 4      | 3      | 2      | 1      | 0      |
|----------------|----------|-------|-------|--------|--------|--------|--------|--------|
| <b>Field</b>   | Reserved | T1ENH | T0ENH | U0RENH | U0TENH | I2CENH | SPIENH | ADCENH |
| <b>RESET</b>   | 0        |       |       |        |        |        |        |        |
| <b>R/W</b>     | R/W      |       |       |        |        |        |        |        |
| <b>Address</b> | FC1H     |       |       |        |        |        |        |        |

| Bit           | Description  |
|---------------|--|
| [7]           | <b>Reserved</b><br>This bit is reserved and must be programmed to 0. |
| [6]<br>T1ENH  | <b>Timer 1 Interrupt Request Enable High Bit</b>                     |
| [5]<br>T0ENH  | <b>Timer 0 Interrupt Request Enable High Bit</b>                     |
| [4]<br>U0RENH | <b>UART 0 Receive Interrupt Request Enable High Bit</b>              |
| [3]<br>U0TENH | <b>UART 0 Transmit Interrupt Request Enable High Bit</b>             |
| [2]<br>I2CENH | <b>I<sup>2</sup>C Interrupt Request Enable High Bit</b>              |
| [1]<br>SPIENH | <b>SPI Interrupt Request Enable High Bit</b>                         |
| [0]<br>ADCENH | <b>ADC Interrupt Request Enable High Bit</b>                         |

**Table 30. IRQ0 Enable Low Bit Register (IRQ0ENL)**

| Bit            | 7        | 6     | 5     | 4      | 3      | 2      | 1      | 0      |
|----------------|----------|-------|-------|--------|--------|--------|--------|--------|
| <b>Field</b>   | Reserved | T1ENL | T0ENL | U0RENL | U0TENL | I2CENL | SPIENL | ADCENL |
| <b>RESET</b>   | 0        |       |       |        |        |        |        |        |
| <b>R/W</b>     | R/W      |       |       |        |        |        |        |        |
| <b>Address</b> | FC2H     |       |       |        |        |        |        |        |

| Bit           | Description  |
|---------------|--|
| [7]           | <b>Reserved</b><br>This bit is reserved and must be programmed to 0. |
| [6]<br>T1ENL  | <b>Timer 1 Interrupt Request Enable Low Bit</b>                      |
| [5]<br>T0ENL  | <b>Timer 0 Interrupt Request Enable Low Bit</b>                      |
| [4]<br>U0RENL | <b>UART 0 Receive Interrupt Request Enable Low Bit</b>               |
| [3]<br>U0TENL | <b>UART 0 Transmit Interrupt Request Enable Low Bit</b>              |
| [2]<br>I2CENL | <b>I<sup>2</sup>C Interrupt Request Enable Low Bit</b>               |
| [1]<br>SPIENL | <b>SPI Interrupt Request Enable Low Bit</b>                          |
| [0]<br>ADCENL | <b>ADC Interrupt Request Enable Low Bit</b>                          |

## IRQ1 Enable High and Low Bit Registers

Table 31 describes the priority control for IRQ1. The IRQ1 Enable High and Low Bit registers, shown in Tables 32 and 33, form a priority-encoded enabling for interrupts in the Interrupt Request 1 Register. Priority is generated by setting bits in each register.

**Table 31. IRQ1 Enable and Priority Encoding**

| IRQ1ENH[x] | IRQ1ENL[x] | Priority | Description |
|------------|------------|----------|-------------|
| 0          | 0          | Disabled | Disabled    |
| 0          | 1          | Level 1  | Low         |
| 1          | 0          | Level 2  | Nominal     |
| 1          | 1          | Level 3  | High        |

Note: x indicates register bits in the range [7:0].

**Table 32. IRQ1 Enable High Bit Register (IRQ1ENH)**

| Bit     | 7      | 6      | 5      | 4      | 3      | 2      | 1      | 0      |
|---------|--------|--------|--------|--------|--------|--------|--------|--------|
| Field   | PA7ENH | PA6ENH | PA5ENH | PA4ENH | PA3ENH | PA2ENH | PA1ENH | PA0ENH |
| RESET   | 0      |        |        |        |        |        |        |        |
| R/W     | R/W    |        |        |        |        |        |        |        |
| Address | FC4H   |        |        |        |        |        |        |        |

| Bit   | Description                                     |
|---|---|
| [7:0]<br>PAxENH                                     | Port A Bit[x] Interrupt Request Enable High Bit |
| Note: x indicates register bits in the range [7:0]. |   |

**Table 33. IRQ1 Enable Low Bit Register (IRQ1ENL)**

| Bit     | 7      | 6      | 5      | 4      | 3      | 2      | 1      | 0      |
|---------|--------|--------|--------|--------|--------|--------|--------|--------|
| Field   | PA7ENL | PA6ENL | PA5ENL | PA4ENL | PA3ENL | PA2ENL | PA1ENL | PA0ENL |
| RESET   | 0      |        |        |        |        |        |        |        |
| R/W     | R/W    |        |        |        |        |        |        |        |
| Address | FC5H   |        |        |        |        |        |        |        |

| Bit   | Description                                    |
|---|--|
| [7:0]<br>PAxENL                                     | Port A Bit[x] Interrupt Request Enable Low Bit |
| Note: x indicates register bits in the range [7:0]. |  |

## IRQ2 Enable High and Low Bit Registers

Table 34 describes the priority control for IRQ2. The IRQ2 Enable High and Low Bit registers, shown in Tables 35 and 36, form a priority-encoded enabling for interrupts in the Interrupt Request 2 Register. Priority is generated by setting bits in each register.

**Table 34. IRQ2 Enable and Priority Encoding**

| IRQ2ENH[x] | IRQ2ENL[x] | Priority | Description |
|------------|------------|----------|-------------|
| 0          | 0          | Disabled | Disabled    |
| 0          | 1          | Level 1  | Low         |
| 1          | 0          | Level 2  | Nominal     |
| 1          | 1          | Level 3  | High        |

Note: x indicates register bits in the range [7:0].

**Table 35. IRQ2 Enable High Bit Register (IRQ2ENH)**

| Bit            | 7        | 6 | 5 | 4 | 3     | 2     | 1     | 0     |
|----------------|----------|---|---|---|-------|-------|-------|-------|
| <b>Field</b>   | Reserved |   |   |   | C3ENH | C2ENH | C1ENH | C0ENH |
| <b>RESET</b>   | 0        |   |   |   |       |       |       |       |
| <b>R/W</b>     | R/W      |   |   |   |       |       |       |       |
| <b>Address</b> | FC7H     |   |   |   |       |       |       |       |

| Bit          | Description  |
|--------------|--|
| [7:4]        | <b>Reserved</b><br>These bits are reserved and must be programmed to 0000. |
| [3]<br>C3ENH | <b>Port C3 Interrupt Request Enable High Bit</b>                           |
| [2]<br>C2ENH | <b>Port C2 Interrupt Request Enable High Bit</b>                           |
| [1]<br>C1ENH | <b>Port C1 Interrupt Request Enable High Bit</b>                           |
| [0]<br>C0ENH | <b>Port C0 Interrupt Request Enable High Bit</b>                           |

**Table 36. IRQ2 Enable Low Bit Register (IRQ2ENL)**

| Bit            | 7        | 6 | 5 | 4 | 3     | 2     | 1     | 0     |
|----------------|----------|---|---|---|-------|-------|-------|-------|
| <b>Field</b>   | Reserved |   |   |   | C3ENL | C2ENL | C1ENL | C0ENL |
| <b>RESET</b>   | 0        |   |   |   |       |       |       |       |
| <b>R/W</b>     | R/W      |   |   |   |       |       |       |       |
| <b>Address</b> | FC8H     |   |   |   |       |       |       |       |

| Bit          | Description  |
|--------------|--|
| [7:4]        | <b>Reserved</b><br>These bits are reserved and must be programmed to 0000. |
| [3]<br>C3ENL | <b>Port C3 Interrupt Request Enable Low Bit</b>                            |
| [2]<br>C2ENL | <b>Port C2 Interrupt Request Enable Low Bit</b>                            |
| [1]<br>C1ENL | <b>Port C1 Interrupt Request Enable Low Bit</b>                            |
| [0]<br>C0ENL | <b>Port C0 Interrupt Request Enable Low Bit</b>                            |

## Interrupt Edge Select Register

The Interrupt Edge Select (IRQES) Register, shown in Table 37, determines whether an interrupt is generated for the rising edge or falling edge on the selected GPIO Port input pin. The minimum pulse width must be greater than 1 system clock to guarantee capture of the edge triggered interrupt. Edge detection for pulses less than 1 system clock are not guaranteed.

**Table 37. Interrupt Edge Select Register (IRQES)**

| Bit            | 7    | 6    | 5    | 4    | 3    | 2    | 1    | 0    |
|----------------|------|------|------|------|------|------|------|------|
| <b>Field</b>   | IES7 | IES6 | IES5 | IES4 | IES3 | IES2 | IES1 | IES0 |
| <b>RESET</b>   | 0    |      |      |      |      |      |      |      |
| <b>R/W</b>     | R/W  |      |      |      |      |      |      |      |
| <b>Address</b> | FCDH |      |      |      |      |      |      |      |

| Bit           | Description   |
|---------------|---|
| [7:0]<br>IESx | <b>Interrupt Edge Select x</b><br>0 = An interrupt request is generated on the falling edge of the PAX input.<br>1 = An interrupt request is generated on the rising edge of the PAX input. |

Note: x indicates register bits in the range [7:0].

## Interrupt Control Register

The Interrupt Control (IRQCTL) Register, shown in Table 38, contains the master enable bit for all interrupts.

**Table 38. Interrupt Control Register (IRQCTL)**

| Bit            | 7    | 6        | 5 | 4 | 3 | 2 | 1 | 0 |
|----------------|------|----------|---|---|---|---|---|---|
| <b>Field</b>   | IRQE | Reserved |   |   |   |   |   |   |
| <b>RESET</b>   | 0    |          |   |   |   |   |   |   |
| <b>R/W</b>     | R/W  | R        |   |   |   |   |   |   |
| <b>Address</b> | FCFH |          |   |   |   |   |   |   |

| Bit         | Description   |
|-------------|---|
| [7]<br>IRQE | <b>Interrupt Request Enable</b><br>This bit is set to 1 by execution of an Enable Interrupts (EI) or Interrupt Return (IRET) instruction, or by a direct register write of a 1 to this bit. It is reset to 0 by executing a DI instruction, eZ8 CPU acknowledgement of an interrupt request, Reset or by a direct register write of a 0 to this bit.<br>0 = Interrupts are disabled.<br>1 = Interrupts are enabled. |
| [6:0]       | <b>Reserved</b><br>These bits are reserved and must be programmed to 000000.  |

## Timers

Z8 Encore! XP<sup>®</sup> F0822 Series products contain up to two 16-bit reloadable timers that can be used for timing, event counting, or generation of pulse-width modulated signals. The timer features include:

- 16-bit reload counter
- Programmable prescaler with prescale values from 1 to 128
- PWM output generation
- Capture and compare capability
- External input pin for timer input, clock gating, or capture signal; external input pin signal frequency is limited to a maximum of one-fourth the system clock frequency
- Timer output pin
- Timer interrupt

In addition to the timers described in this chapter, the Baud Rate Generators for any unused UART, SPI, or I<sup>2</sup>C peripherals can also be used to provide basic timing functionality. See the respective serial communication peripheral chapters for information about using the Baud Rate Generators as timers.

## Architecture

Figure 10 displays the architecture of the timers.

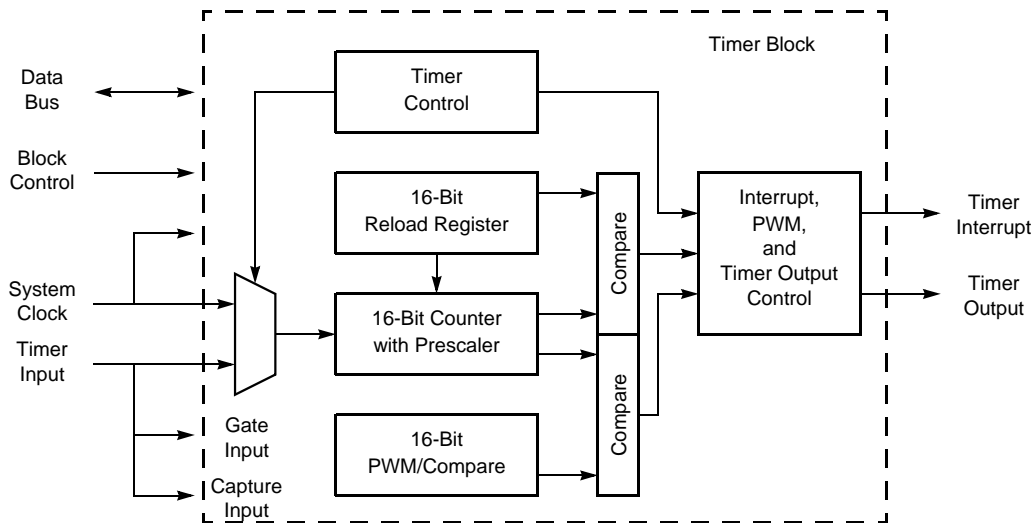


Figure 10. Timer Block Diagram

## Operation

The timers are 16-bit up-counters. Minimum time-out delay is set by loading the value 0001H into the Timer Reload High and Low Byte registers and setting the prescale value to 1. Maximum time-out delay is set by loading the value 0000H into the Timer Reload High and Low Byte registers and setting the prescale value to 128. If the Timer reaches FFFFH, the timer rolls over to 0000H and continues counting.

### Timer Operating Modes

The timers are configured to operate in the following modes:

#### ONE-SHOT Mode

In ONE-SHOT Mode, the timer counts up to the 16-bit reload value stored in the Timer Reload High and Low Byte registers. The timer input is the system clock. Upon reaching the reload value, the timer generates an interrupt and the count value in the Timer High

and Low Byte registers is reset to 0001H. Then, the timer is automatically disabled and stops counting.

Also, if the Timer Output alternate function is enabled, the Timer Output pin changes state for one system clock cycle (from Low to High or vice-versa) on timer reload. If it is required for the Timer Output to make a permanent state change on One-Shot time-out, first set the TPOL bit in the Timer Control Register to the start value before beginning ONE-SHOT Mode. Then, after starting the timer, set TPOL to the opposite bit value.

Observe the following procedure for configuring a timer for ONE-SHOT Mode and initiating the count:

1. Write to the Timer Control Register to:
  - Disable the timer
  - Configure the timer for ONE-SHOT Mode
  - Set the prescale value
  - If using the Timer Output alternate function, set the initial output level (High or Low)
2. Write to the Timer High and Low Byte registers to set the starting count value.
3. Write to the Timer Reload High and Low Byte registers to set the reload value.
4. If appropriate, enable the timer interrupt and set the timer interrupt priority by writing to the relevant interrupt registers.
5. If using the Timer Output function, configure the associated GPIO port pin for the Timer Output alternate function.
6. Write to the Timer Control Register to enable the timer and initiate counting.

In ONE-SHOT Mode, the system clock always provides the timer input. The timer period is calculated using the following equation:

$$\text{ONE-SHOT Mode Time-Out Period (s)} = \frac{(\text{Reload Value} - \text{Start Value}) \times \text{Prescale}}{\text{System Clock Frequency (Hz)}}$$

### **CONTINUOUS Mode**

In CONTINUOUS Mode, the timer counts up to the 16-bit reload value stored in the Timer Reload High and Low Byte registers. The timer input is the system clock. Upon reaching the reload value, the timer generates an interrupt, the count value in the Timer High and Low Byte registers is reset to 0001H and counting resumes. Also, if the Timer Output alternate function is enabled, the Timer Output pin changes state (from Low to High or from High to Low) upon timer reload.

Observe the following procedure for configuring a timer for CONTINUOUS Mode and initiating the count:

1. Write to the Timer Control Register to:
  - Disable the timer
  - Configure the timer for CONTINUOUS Mode
  - Set the prescale value.
  - If using the Timer Output alternate function, set the initial output level (High or Low)
2. Write to the Timer High and Low Byte registers to set the starting count value (usually 0001H). This starting count value only affects the first pass in CONTINUOUS Mode. After the first timer reload in CONTINUOUS Mode, counting always begins at the reset value of 0001H.
3. Write to the Timer Reload High and Low Byte registers to set the reload value.
4. If appropriate, enable the timer interrupt and set the timer interrupt priority by writing to the relevant interrupt registers.
5. If using the Timer Output function, configure the associated GPIO port pin for the Timer Output alternate function.
6. Write to the Timer Control Register to enable the timer and initiate counting.

In CONTINUOUS Mode, the system clock always provides the timer input. The timer period is calculated using the following equation:

$$\text{CONTINUOUS Mode Time-Out Period (s)} = \frac{\text{Reload Value} \times \text{Prescale}}{\text{System Clock Frequency (Hz)}}$$

If an initial starting value other than 0001H is loaded into the Timer High and Low Byte registers, the ONE-SHOT Mode equation must be used to determine the first time-out period.

### COUNTER Mode

In COUNTER Mode, the timer counts input transitions from a GPIO port pin. The timer input is taken from the GPIO Port pin Timer Input alternate function. The TPOL bit in the Timer Control Register selects whether the count occurs on the rising edge or the falling edge of the Timer Input signal. In COUNTER Mode, the prescaler is disabled.



**Caution:** The input frequency of the Timer Input signal must not exceed one-fourth system clock frequency.

---

Upon reaching the reload value stored in the Timer Reload High and Low Byte registers, the timer generates an interrupt, the count value in the Timer High and Low Byte registers is reset to 0001H and counting resumes. Also, if the Timer Output alternate function is enabled, the Timer Output pin changes state (from Low to High or from High to Low) at timer reload.

Observe the following procedure for configuring a timer for COUNTER Mode and initiating the count:

1. Write to the Timer Control Register to:
  - Disable the timer
  - Configure the timer for COUNTER Mode
  - Select either the rising edge or falling edge of the Timer Input signal for the count. This selection also sets the initial logic level (High or Low) for the Timer Output alternate function; however, the Timer Output function does not have to be enabled.
2. Write to the Timer High and Low Byte registers to set the starting count value. This only affects the first pass in COUNTER Mode. After the first timer reload in COUNTER Mode, counting always begins at the reset value of 0001H. Generally, in COUNTER Mode the Timer High and Low Byte registers must be written with the value 0001H.
3. Write to the Timer Reload High and Low Byte registers to set the reload value.
4. If required, enable the timer interrupt and set the timer interrupt priority by writing to the relevant interrupt registers.
5. Configure the associated GPIO port pin for the Timer Input alternate function.
6. If using the Timer Output function, configure the associated GPIO port pin for the Timer Output alternate function.
7. Write to the Timer Control Register to enable the timer.

In COUNTER Mode, the number of timer input transitions since the timer start is calculated using the following equation:

$$\text{COUNTER Mode Timer Input Transitions} = \text{Current Count Value} - \text{Start Value}$$

### PWM Mode

In PWM Mode, the timer outputs a Pulse-Width Modulator output signal through a GPIO port pin. The timer input is the system clock. The timer first counts up to the 16-bit PWM match value stored in the Timer PWM High and Low Byte registers. When the timer count

value matches the PWM value, the Timer Output toggles. The timer continues counting until it reaches the reload value stored in the Timer Reload High and Low Byte registers. Upon reaching the reload value, the timer generates an interrupt, the count value in the Timer High and Low Byte registers is reset to 0001H and counting resumes.

If the TPOL bit in the Timer Control Register is set to 1, the Timer Output signal begins as a High (1) and then transitions to a Low (0) when the timer value matches the PWM value. The Timer Output signal returns to a High (1) after the timer reaches the reload value and is reset to 0001H.

If the TPOL bit in the Timer Control Register is set to 0, the Timer Output signal begins as a Low (0) and then transitions to a High (1) when the timer value matches the PWM value. The Timer Output signal returns to a Low (0) after the timer reaches the reload value and is reset to 0001H.

Observe the following procedure for configuring a timer for PWM Mode and initiating the PWM operation:

1. Write to the Timer Control Register to:
  - Disable the timer
  - Configure the timer for PWM Mode
  - Set the prescale value
  - Set the initial logic level (High or Low) and PWM High/Low transition for the Timer Output alternate function
2. Write to the Timer High and Low Byte registers to set the starting count value (typically 0001H). This only affects the first pass in PWM Mode. After the first timer reset in PWM Mode, counting always begins at the reset value of 0001H.
3. Write to the PWM High and Low Byte registers to set the PWM value.
4. Write to the Timer Reload High and Low Byte registers to set the reload value (PWM period). The reload value must be greater than the PWM value.
5. If required, enable the timer interrupt and set the timer interrupt priority by writing to the relevant interrupt registers.
6. Configure the associated GPIO port pin for the Timer Output alternate function.
7. Write to the Timer Control Register to enable the timer and initiate counting.

The PWM period is calculated using the following equation.

$$\text{PWM Period (s)} = \frac{\text{Reload Value} \times \text{Prescale}}{\text{System Clock Frequency (Hz)}}$$

If an initial starting value other than 0001H is loaded into the Timer High and Low Byte registers, the ONE-SHOT Mode equation is used to determine the first PWM time-out period.

If TPOL is set to 0, the ratio of the PWM output High time to the total period is calculated using the following equation:

$$\text{PWM Output High Time Ratio (\%)} = \frac{\text{Reload Value} - \text{PWM Value}}{\text{Reload Value}} \times 100$$

If TPOL is set to 1, the ratio of the PWM output High time to the total period is calculated using the following equation:

$$\text{PWM Output High Time Ratio (\%)} = \frac{\text{PWM Value}}{\text{Reload Value}} \times 100$$

### CAPTURE Mode

In CAPTURE Mode, the current timer count value is recorded when the appropriate external Timer Input transition occurs. The capture count value is written to the Timer PWM High and Low Byte registers. The timer input is the system clock. The TPOL bit in the Timer Control Register determines if the Capture occurs on a rising edge or a falling edge of the Timer Input signal. When the capture event occurs, an interrupt is generated and the timer continues counting.

The timer continues counting up to the 16-bit reload value stored in the Timer Reload High and Low Byte registers. Upon reaching the reload value, the timer generates an interrupt and continues counting.

Observe the following procedure for configuring a timer for CAPTURE Mode and initiating the count:

1. Write to the Timer Control Register to:
  - Disable the timer
  - Configure the timer for CAPTURE Mode
  - Set the prescale value
  - Set the Capture edge (rising or falling) for the Timer Input
2. Write to the Timer High and Low Byte registers to set the starting count value (typically 0001H).
3. Write to the Timer Reload High and Low Byte registers to set the reload value.
4. Clear the Timer PWM High and Low Byte registers to 0000H. This allows user software to determine if interrupts were generated by either a capture event or a reload. If

the PWM High and Low Byte registers still contains 0000H after the interrupt, then the interrupt was generated by a reload.

5. If required, enable the timer interrupt and set the timer interrupt priority by writing to the relevant interrupt registers.
6. Configure the associated GPIO port pin for the Timer Input alternate function.
7. Write to the Timer Control Register to enable the timer and initiate counting.

In CAPTURE Mode, the elapsed time from timer start to capture event is calculated using the following equation:

$$\text{Capture Elapsed Time (s)} = \frac{(\text{Capture Value} - \text{Start Value}) \times \text{Prescale}}{\text{System Clock Frequency (Hz)}}$$

### COMPARE Mode

In COMPARE Mode, the timer counts up to the 16-bit maximum Compare value stored in the Timer Reload High and Low Byte registers. The timer input is the system clock. Upon reaching the Compare value, the timer generates an interrupt and counting continues (the timer value is not reset to 0001H). Also, if the Timer Output alternate function is enabled, the Timer Output pin changes state (from Low to High or from High to Low) upon Compare.

If the Timer reaches FFFFH, the timer rolls over to 0000H and continue counting.

Observe the following procedure for configuring a timer for COMPARE Mode and initiating the count:

1. Write to the Timer Control Register to:
  - Disable the timer
  - Configure the timer for COMPARE Mode
  - Set the prescale value
  - Set the initial logic level (High or Low) for the Timer Output alternate function, if required
2. Write to the Timer High and Low Byte registers to set the starting count value.
3. Write to the Timer Reload High and Low Byte registers to set the Compare value.
4. If required, enable the timer interrupt and set the timer interrupt priority by writing to the relevant interrupt registers.
5. If using the Timer Output function, configure the associated GPIO port pin for the Timer Output alternate function.
6. Write to the Timer Control Register to enable the timer and initiate counting.

In COMPARE Mode, the system clock always provides the timer input. The Compare time is calculated by the following equation:

$$\text{Compare Mode Time (s)} = \frac{(\text{Compare Value} - \text{Start Value}) \times \text{Prescale}}{\text{System Clock Frequency (Hz)}}$$

### GATED Mode

In GATED Mode, the timer counts only when the Timer Input signal is in its active state (asserted), as determined by the TPOL bit in the Timer Control Register. When the Timer Input signal is asserted, counting begins. A timer interrupt is generated when the Timer Input signal is deasserted or a timer reload occurs. To determine if a Timer Input signal deassertion generated the interrupt, read the associated GPIO input value and compare to the value stored in the TPOL bit.

The timer counts up to the 16-bit reload value stored in the Timer Reload High and Low Byte registers. The timer input is the system clock. When reaching the reload value, the timer generates an interrupt, the count value in the Timer High and Low Byte registers is reset to 0001H and counting resumes (assuming the Timer Input signal is still asserted). Also, if the Timer Output alternate function is enabled, the Timer Output pin changes state (from Low to High or from High to Low) at timer reset.

Observe the following procedure for configuring a timer for GATED Mode and initiating the count:

1. Write to the Timer Control Register to:
  - Disable the timer
  - Configure the timer for GATED Mode
  - Set the prescale value
2. Write to the Timer High and Low Byte registers to set the starting count value. This only affects the first pass in GATED Mode. After the first timer reset in GATED Mode, counting always begins at the reset value of 0001H.
3. Write to the Timer Reload High and Low Byte registers to set the reload value.
4. If appropriate, enable the timer interrupt and set the timer interrupt priority by writing to the relevant interrupt registers.
5. Configure the associated GPIO port pin for the Timer Input alternate function.
6. Write to the Timer Control Register to enable the timer.
7. Assert the Timer Input signal to initiate the counting.

## CAPTURE/COMPARE Mode

In CAPTURE/COMPARE Mode, the timer begins counting on the first external Timer Input transition. The required transition (rising edge or falling edge) is set by the TPOL bit in the Timer Control Register. The timer input is the system clock.

Every subsequent transition of the Timer Input signal (after the first, and if appropriate) captures the current count value. The Capture value is written to the Timer PWM High and Low Byte registers. When the capture event occurs, an interrupt is generated, the count value in the Timer High and Low Byte registers is reset to 0001H and counting resumes.

If no capture event occurs, the timer counts up to the 16-bit Compare value stored in the Timer Reload High and Low Byte registers. Upon reaching the Compare value, the timer generates an interrupt, the count value in the Timer High and Low Byte registers is reset to 0001H and counting resumes.

Observe the following procedure for configuring a timer for CAPTURE/COMPARE Mode and initiating the count:

1. Write to the Timer Control Register to:
  - Disable the timer
  - Configure the timer for CAPTURE/COMPARE Mode
  - Set the prescale value
  - Set the Capture edge (rising or falling) for the Timer Input
2. Write to the Timer High and Low Byte registers to set the starting count value (typically 0001H).
3. Write to the Timer Reload High and Low Byte registers to set the Compare value.
4. If appropriate, enable the timer interrupt and set the timer interrupt priority by writing to the relevant interrupt registers.
5. Configure the associated GPIO port pin for the Timer Input alternate function.
6. Write to the Timer Control Register to enable the timer.
7. Counting begins on the first appropriate transition of the Timer Input signal. No interrupt is generated by this first edge.

In CAPTURE/COMPARE Mode, the elapsed time from timer start to capture event is calculated using the following equation:

$$\text{Capture Elapsed Time (s)} = \frac{(\text{Capture Value} - \text{Start Value}) \times \text{Prescale}}{\text{System Clock Frequency (Hz)}}$$

## Reading the Timer Count Values

The current count value in the timers can be read while counting (enabled). This capability has no effect on timer operation. When the timer is enabled and the Timer High Byte Register is read, the contents of the Timer Low Byte Register are placed in a holding register. A subsequent read from the Timer Low Byte Register returns the value in the holding register. This operation allows accurate reads of the full 16-bit timer count value while enabled. When the timers are not enabled, a read from the Timer Low Byte Register returns the actual value in the counter.

## Timer Output Signal Operation

Timer Output is a GPIO port pin alternate function. Generally, the Timer Output is toggled every time the counter is reloaded.

## Timer Control Register Definitions

This section defines the features of the following Timer Control registers.

[Timer 0–1 High and Low Byte Registers](#): see page 64

[Timer Reload High and Low Byte Registers](#): see page 65

[Timer 0–1 PWM High and Low Byte Registers](#): see page 66

[Timer 0–3 Control 0 Registers](#): see page 67

[Timer 0–1 Control 1 Registers](#): see page 68

## Timer 0–1 High and Low Byte Registers

The Timer 0–1 High and Low Byte (TxH and TxL) registers, shown in Tables 39 and 40, contain the current 16-bit timer count value. When the timer is enabled, a read from TxH causes the value in TxL to be stored in a temporary holding register. A read from TMRL always returns this temporary register when the timers are enabled. When the timer is disabled, reads from the TMRL reads the register directly.

Zilog does not recommend writing to the Timer High and Low Byte registers while the timer is enabled. There are no temporary holding registers available for write operations, so simultaneous 16-bit writes are not possible. If either the Timer High or Low Byte registers are written during counting, the 8-bit written value is placed in the counter (High or Low Byte) at the next clock edge. The counter continues counting from the new value.

**Table 39. Timer 0–1 High Byte Register (TxH)**

| Bit     | 7          | 6 | 5 | 4 | 3 | 2 | 1 | 0 |
|---------|------------|---|---|---|---|---|---|---|
| Field   | TH         |   |   |   |   |   |   |   |
| RESET   | 0          |   |   |   |   |   |   |   |
| R/W     | R/W        |   |   |   |   |   |   |   |
| Address | F00H, F08H |   |   |   |   |   |   |   |

**Table 40. Timer 0–1 Low Byte Register (TxL)**

| Bit     | 7          | 6 | 5 | 4 | 3 | 2 | 1 | 0 |
|---------|------------|---|---|---|---|---|---|---|
| Field   | TL         |   |   |   |   |   |   |   |
| RESET   | 0          |   |   |   |   |   |   | 1 |
| R/W     | R/W        |   |   |   |   |   |   |   |
| Address | F01H, F09H |   |   |   |   |   |   |   |

| Bit             | Description   |
|-----------------|---|
| [7:0]<br>TH, TL | <b>Timer High and Low Bytes</b><br>These 2 bytes, {TMRH[7:0], TMRL[7:0]}, contain the current 16-bit timer count value. |

## Timer Reload High and Low Byte Registers

The Timer 0–1 Reload High and Low Byte (TxRH and TxRL) registers, shown in Tables 41 and 42, store a 16-bit reload value, {TRH[7:0], TRL[7:0]}. Values written to the Timer Reload High Byte Register are stored in a temporary holding register. When a write to the Timer Reload Low Byte Register occurs, the temporary holding register value is written to the Timer High Byte Register. This operation allows simultaneous updates of the 16-bit Timer reload value.

In COMPARE Mode, the Timer Reload High and Low Byte registers store the 16-bit Compare value.

**Table 41. Timer 0–1 Reload High Byte Register (TxRH)**

| Bit     | 7          | 6 | 5 | 4 | 3 | 2 | 1 | 0 |
|---------|------------|---|---|---|---|---|---|---|
| Field   | TRH        |   |   |   |   |   |   |   |
| RESET   | 1          |   |   |   |   |   |   |   |
| R/W     | R/W        |   |   |   |   |   |   |   |
| Address | F02H, F0AH |   |   |   |   |   |   |   |

**Table 42. Timer 0–1 Reload Low Byte Register (TxRL)**

| Bit     | 7          | 6 | 5 | 4 | 3 | 2 | 1 | 0 |
|---------|------------|---|---|---|---|---|---|---|
| Field   | TRL        |   |   |   |   |   |   |   |
| RESET   | 1          |   |   |   |   |   |   |   |
| R/W     | R/W        |   |   |   |   |   |   |   |
| Address | F03H, F0BH |   |   |   |   |   |   |   |

| Bit         | Description  |
|-------------|--|
| [7]         | <b>Timer Reload Register High and Low</b>  |
| TRH,<br>TRL | These two bytes form the 16-bit reload value, {TRH[7:0], TRL[7:0]}. This value sets the maximum count value which initiates a timer reload to 0001H. In COMPARE Mode, these two bytes form the 16-bit Compare value. |

## Timer 0–1 PWM High and Low Byte Registers

The Timer 0–1 PWM High and Low Byte (TxPWMH and TxPWML) registers, shown in Tables 43 and 44, are used for Pulse-Width Modulator (PWM) operations. These registers also store the Capture values for the CAPTURE and CAPTURE/COMPARE modes.

**Table 43. Timer 0–1 PWM High Byte Register (TxPWMH)**

| Bit     | 7          | 6 | 5 | 4 | 3 | 2 | 1 | 0 |
|---------|------------|---|---|---|---|---|---|---|
| Field   | PWMH       |   |   |   |   |   |   |   |
| RESET   | 0          |   |   |   |   |   |   |   |
| R/W     | R/W        |   |   |   |   |   |   |   |
| Address | F04H, F0CH |   |   |   |   |   |   |   |

**Table 44. Timer 0–1 PWM Low Byte Register (TxPWML)**

| Bit     | 7          | 6 | 5 | 4 | 3 | 2 | 1 | 0 |
|---------|------------|---|---|---|---|---|---|---|
| Field   | PWML       |   |   |   |   |   |   |   |
| RESET   | 0          |   |   |   |   |   |   |   |
| R/W     | R/W        |   |   |   |   |   |   |   |
| Address | F05H, F0DH |   |   |   |   |   |   |   |

| Bit                    | Description   |
|------------------------|---|
| [7:0]<br>PWMH,<br>PWML | <b>Pulse-Width Modulator High and Low Bytes</b><br>These two bytes, {PWMH[7:0], PWML[7:0]}, form a 16-bit value that is compared to the current 16-bit timer count. When a match occurs, the PWM output changes state. The PWM output value is set by the TPOL bit in the Timer Control (TxCTL) Register.<br>The TxPWMH and TxPWML registers also store the 16-bit captured timer value when operating in CAPTURE or CAPTURE/COMPARE modes. |

### Timer 0–3 Control 0 Registers

The Timer 0–3 Control 0 (TxCTL0) registers, shown in Table 45, allow cascading of the Timers.

**Table 45. Timer 0–3 Control 0 Registers (TxCTL0)**

| Bit            | 7                      | 6 | 5 | 4   | 3        | 2 | 1 | 0 |
|----------------|------------------------|---|---|-----|----------|---|---|---|
| <b>Field</b>   | Reserved               |   |   | CSC | Reserved |   |   |   |
| <b>RESET</b>   | 0                      |   |   |     |          |   |   |   |
| <b>R/W</b>     | R/W                    |   |   |     |          |   |   |   |
| <b>Address</b> | F06H, F0EH, F16H, F1EH |   |   |     |          |   |   |   |

| Bit        | Description  |
|------------|--|
| [7:5]      | <b>Reserved</b><br>These bits are reserved and must be programmed to 000.  |
| [4]<br>CSC | <b>Cascade Timers</b><br>0 = Timer Input signal comes from the pin.<br>1 = For Timer 0, input signal is connected to Timer 1 output. For Timer 1, the input signal is connected to the Timer 0 output. |
| [3:0]      | <b>Reserved</b><br>These bits are reserved and must be programmed to 0000.   |

## Timer 0–1 Control 1 Registers

The Timer 0–1 Control (TxCTL) registers, shown in Table 46, enable/disable the timers, set the prescaler value, and determine the timer operating mode.

**Table 46. Timer 0–1 Control Registers (TxCTL)**

| Bit            | 7          | 6    | 5    | 4 | 3 | 2     | 1 | 0 |
|----------------|------------|------|------|---|---|-------|---|---|
| <b>Field</b>   | TEN        | TPOL | PRES |   |   | TMODE |   |   |
| <b>RESET</b>   | 0          |      |      |   |   |       |   |   |
| <b>R/W</b>     | R/W        |      |      |   |   |       |   |   |
| <b>Address</b> | F07H, F0FH |      |      |   |   |       |   |   |

| Bit         | Description   |
|-------------|---|
| [7]<br>TEN  | <p><b>Timer Enable</b><br/>0 = Timer is disabled.<br/>1 = Timer enabled to count.</p>   |
| [6]<br>TPOL | <p><b>Timer Input/Output Polarity</b><br/>Operation of this bit is a function of the current operating mode of the timer.</p> <p><b>ONE-SHOT Mode</b><br/>When the timer is disabled, the Timer Output signal is set to the value of this bit.<br/>When the timer is enabled, the Timer Output signal is complemented upon timer reload.</p> <p><b>CONTINUOUS Mode</b><br/>When the timer is disabled, the Timer Output signal is set to the value of this bit. When the timer is enabled, the Timer Output signal is complemented upon timer reload.</p> <p><b>COUNTER Mode</b><br/>If the timer is enabled the Timer Output signal is complemented after timer reload.<br/>0 = Count occurs on the rising edge of the Timer Input signal.<br/>1 = Count occurs on the falling edge of the Timer Input signal.</p> <p><b>PWM Mode</b><br/>0 = Timer Output is forced Low (0) when the timer is disabled. When enabled, the Timer Output is forced High (1) upon PWM count match and forced Low (0) upon reload.<br/>1 = Timer Output is forced High (1) when the timer is disabled. When enabled, the Timer Output is forced Low (0) upon PWM count match and forced High (1) upon reload.</p> <p><b>CAPTURE Mode</b><br/>0 = Count is captured on the rising edge of the Timer Input signal.<br/>1 = Count is captured on the falling edge of the Timer Input signal.</p> <p><b>COMPARE Mode</b><br/>When the timer is disabled, the Timer Output signal is set to the value of this bit. When the timer is enabled, the Timer Output signal is complemented upon timer reload.</p> |

| Bit               | Description (Continued)  |
|-------------------|--|
| [6]               | <b>GATED Mode</b>  |
| TPOL<br>(cont'd.) | 0 = Timer counts when the Timer Input signal is High (1) and interrupts are generated on the falling edge of the Timer Input.<br>1 = Timer counts when the Timer Input signal is Low (0) and interrupts are generated on the rising edge of the Timer Input.   |
|                   | <b>CAPTURE/COMPARE Mode</b>  |
|                   | 0 = Counting is started on the first rising edge of the Timer Input signal. The current count is captured on subsequent rising edges of the Timer Input signal.<br>1 = Counting is started on the first falling edge of the Timer Input signal. The current count is captured on subsequent falling edges of the Timer Input signal.   |
| [5:3]             | <b>Prescale Value</b>  |
| PRES              | The timer input clock is divided by $2^{\text{PRES}}$ , where PRES is set from 0 to 7. The prescaler is reset each time the timer is disabled to ensure proper clock division each time the timer is restarted.<br>000 = Divide by 1.<br>001 = Divide by 2.<br>010 = Divide by 4.<br>011 = Divide by 8.<br>100 = Divide by 16.<br>101 = Divide by 32.<br>110 = Divide by 64.<br>111 = Divide by 128. |
| [2:0]             | <b>Timer Mode</b>  |
| TMODE             | 000 = ONE-SHOT Mode.<br>001 = CONTINUOUS Mode.<br>010 = COUNTER Mode.<br>011 = PWM Mode.<br>100 = CAPTURE Mode.<br>101 = COMPARE Mode.<br>110 = GATED Mode.<br>111 = CAPTURE/COMPARE Mode.   |

## Watchdog Timer

Watchdog Timer (WDT) protects against corrupt or unreliable software, power faults, and other system-level problems which can place the Z8 Encore! XP<sup>®</sup> F0822 Series device into unsuitable operating states. It includes the following features:

- On-chip RC oscillator
- A selectable time-out response; either Reset or Interrupt
- 24-bit programmable time-out value

### Operation

WDT is a retriggerable one-shot timer that resets or interrupts the Z8 Encore! XP<sup>®</sup> F0822 Series device when the WDT reaches its terminal count. It uses its own dedicated on-chip RC oscillator as its clock source. The WDT has only two modes of operation: ON and OFF. When enabled, it always counts and must be refreshed to prevent a time-out. An enable is performed by executing the WDT instruction or by setting the WDT\_AO option bit. The WDT\_AO bit enables the WDT to operate all of the time, even if a WDT instruction has not been executed.

The WDT is a 24-bit reloadable downcounter that uses three 8-bit registers in the eZ8 CPU register space to set the reload value. The nominal WDT time-out period is calculated using the following equation:

$$\text{WDT Time-out Period (ms)} = \frac{\text{WDT Reload Value}}{10}$$

In this equation, the WDT reload value is the decimal value of the 24-bit value furnished by {WDTU[7:0], WDTH[7:0], WDTL[7:0]}; the typical Watchdog Timer RC oscillator frequency is 10kHz. WDT cannot be refreshed after it reaches 000002H. The WDT reload value must not be set to values below 000004H.

Table 47 lists the approximate time-out delays based on minimum and maximum WDT reload values.

**Table 47. Watchdog Timer Approximate Time-Out Delays**

| WDT Reload Value (Hex) | WDT Reload Value (Decimal) | Approximate Time-Out Delay (with 10kHz Typical WDT Oscillator Frequency) |                        |
|------------------------|----------------------------|--|------------------------|
|                        |                            | Typical  | Description            |
| 000004                 | 4                          | 400µs  | Minimum time-out delay |
| FFFFFF                 | 16,777,215                 | 1677.5s  | Maximum time-out delay |

## Watchdog Timer Refresh

When first enabled, the WDT is loaded with the value in the WDT Reload registers. The WDT then counts down to 000000H unless a WDT instruction is executed by the eZ8 CPU. Execution of the WDT instruction causes the downcounter to be reloaded with the WDT reload value stored in the WDT Reload registers. Counting resumes following the reload operation.

When Z8 Encore! XP<sup>®</sup> F0822 Series device is operating in DEBUG Mode (using the OCD), the WDT is continuously refreshed to prevent spurious WDT time-outs.

## Watchdog Timer Time-Out Response

The WDT times out when the counter reaches 000000H. A WDT time-out generates either an Interrupt or a Reset. The WDT\_RES option bit determines the time-out response of the WDT. For information regarding programming of the WDT\_RES option bit, see the [Option Bits](#) chapter on page 155.

### WDT Interrupt in Normal Operation

If configured to generate an interrupt when a time-out occurs, the WDT issues an interrupt request to the interrupt controller and sets the WDT status bit in the WDT Control Register. If interrupts are enabled, the eZ8 CPU responds to the interrupt request by fetching the WDT interrupt vector and executing the code from the vector address. After time-out and interrupt generation, the WDT counter rolls over to its maximum value of FFFFFH and continues counting. The WDT counter is not automatically returned to its reload value.

### WDT Reset in STOP Mode

If enabled in STOP Mode and configured to generate a Reset when a time-out occurs and the device is in STOP Mode, the WDT initiates a Stop Mode Recovery. Both the WDT status bit and the stop bit in the WDT Control Register is set to 1 following the WDT time-out in STOP Mode. For more information, see the [Reset and Stop Mode Recovery](#) chapter on page 21. Default operation is for the WDT and its RC oscillator to be enabled during STOP Mode.

To minimize power consumption in STOP Mode, the WDT and its RC oscillator is disabled in STOP Mode. The following sequence configures the WDT to be disabled when the Z8F082x family device enters STOP Mode following execution of a stop instruction:

1. Write 55H to the Watchdog Timer Control Register (WDTCTL).
2. Write AAH to the Watchdog Timer Control Register (WDTCTL).
3. Write 81H to the Watchdog Timer Control Register (WDTCTL) to configure the WDT and its oscillator to be disabled during STOP Mode. Alternatively, write 00H to the WDTCTL as the third step in this sequence to reconfigure the WDT and its oscillator to be enabled during STOP Mode. This sequence only affects WDT operation in STOP Mode.

### WDT Reset in Normal Operation

If configured to generate a Reset when a time-out occurs, the WDT forces the device into the Reset state. The WDT status bit in the WDT Control Register is set to 1. For more information about Reset, see the [Reset and Stop Mode Recovery](#) chapter on page 21.

### WDT Reset in STOP Mode

If enabled in STOP Mode and configured to generate a Reset when a time-out occurs and the device is in STOP Mode, the WDT initiates a Stop Mode Recovery. Both the WDT status bit and the stop bit in the WDT Control Register is set to 1 following WDT time-out in STOP Mode. For more information about Reset, see the [Reset and Stop Mode Recovery](#) chapter on page 21. Default operation is for the WDT and its RC oscillator to be enabled during STOP Mode.

### WDT RC Disable in STOP Mode

To minimize power consumption in STOP Mode, the WDT and its RC oscillator can be disabled in STOP Mode. The following sequence configures the WDT to be disabled when the Z8F082x family device enters STOP Mode following execution of a stop instruction:

1. Write 55H to the Watchdog Timer Control Register (WDTCTL).
2. Write AAH to the Watchdog Timer Control Register (WDTCTL).
3. Write 81H to the Watchdog Timer Control Register (WDTCTL) to configure the WDT and its oscillator to be disabled during STOP Mode. Alternatively, write 00H to the Watchdog Timer Control Register (WDTCTL) as the third step in this sequence to reconfigure the WDT and its oscillator to be enabled during STOP Mode. This sequence only affects WDT operation in STOP Mode.

## Watchdog Timer Reload Unlock Sequence

Writing the unlock sequence to the WDTCTL address unlocks the three Watchdog Timer Reload Byte registers (WDTU, WDTL, and WDTM) to allow changes to the time-out period. These write operations to the WDTCTL address produce no effect on the bits in the WDTCTL. The locking mechanism prevents spurious writes to the Reload registers. The following sequence is required to unlock the Watchdog Timer Reload Byte registers (WDTU, WDTL, and WDTM) for write access.

1. Write 55H to the Watchdog Timer Control Register (WDTCTL).
2. Write AAH to the Watchdog Timer Control Register (WDTCTL).
3. Write the Watchdog Timer Reload Upper Byte Register (WDTU).
4. Write the Watchdog Timer Reload High Byte Register (WDTM).
5. Write the Watchdog Timer Reload Low Byte Register (WDTL).

All three Watchdog Timer Reload registers must be written in this order. There must be no other register writes between each of these operations. If a register write occurs, the lock state machine resets and no further writes occur unless the sequence is restarted. The value in the Watchdog Timer Reload registers is loaded into the counter when the WDT is first enabled and every time a WDT instruction is executed.

## Watchdog Timer Control Register Definitions

This section defines the features of the following Watchdog Timer Control registers.

[Watchdog Timer Control Register \(WDTCTL\)](#): see page 74

[Watchdog Timer Reload Upper Byte Register \(WDTU\)](#): see page 75

[Watchdog Timer Reload High Byte Register \(WDTM\)](#): see page 75

[Watchdog Timer Reload Low Byte Register \(WDTL\)](#): see page 76

## Watchdog Timer Control Register

The Watchdog Timer Control Register (WDTCTL), shown in Table 48, is a read-only Register that indicates the source of the most recent Reset event, a Stop Mode Recovery event, and a WDT time-out. Reading this register resets the upper four bits to 0.

Writing the 55H, AAH unlock sequence to the Watchdog Timer Control Register (WDTCTL) address unlocks the three Watchdog Timer Reload Byte registers (WDTU, WDTM, and WDTL) to allow changes to the time-out period. These write operations to the WDTCTL address produce no effect on the bits in the WDTCTL. The locking mechanism prevents spurious writes to the Reload registers.

**Table 48. Watchdog Timer Control Register (WDTCTL)**

| Bit     | 7             | 6    | 5   | 4   | 3        | 2 | 1 | 0 |
|---------|---------------|------|-----|-----|----------|---|---|---|
| Field   | POR           | STOP | WDT | EXT | Reserved |   |   |   |
| RESET   | See Table 49. |      |     |     | 0        |   |   |   |
| R/W     | R             |      |     |     |          |   |   |   |
| Address | FF0H          |      |     |     |          |   |   |   |

| Bit         | Description  |
|-------------|--|
| [7]<br>POR  | <b>Power-On Reset Indicator</b><br>If this bit is set to 1, a POR event occurred. This bit is reset to 0, if a WDT time-out or Stop Mode Recovery occurs. This bit is also reset to 0, when the register is read.  |
| [6]<br>STOP | <b>Stop Mode Recovery Indicator</b><br>If this bit is set to 1, a Stop Mode Recovery occurred. If the STOP and WDT bits are both set to 1, the Stop Mode Recovery occurred due to a WDT time-out. If the stop bit is 1 and the WDT bit is 0, the Stop Mode Recovery was not caused by a WDT time-out. This bit is reset by a POR or a WDT time-out that occurred while not in STOP Mode. Reading this register also resets this bit. |
| [5]<br>WDT  | <b>Watchdog Timer Time-Out Indicator</b><br>If this bit is set to 1, a WDT time-out occurred. A POR resets this pin. A Stop Mode Recovery due a change in an input pin also resets this bit. Reading this register resets this bit.  |
| [4]<br>EXT  | <b>External Reset Indicator</b><br>If this bit is set to 1, a Reset initiated by the external $\overline{\text{RESET}}$ pin occurred. A POR or a Stop Mode Recovery from a change in an input pin resets this bit. Reading this register resets this bit.  |
| [3:0]       | <b>Reserved</b><br>These bits are reserved and must be programmed to 0000.   |

**Table 49. Watchdog Timer Events**

| Reset or Stop Mode Recovery Event                     | POR | STOP | WDT | EXT |
|---|-----|------|-----|-----|
| Power-On Reset  | 1   | 0    | 0   | 0   |
| Reset through $\overline{\text{RESET}}$ pin assertion | 0   | 0    | 0   | 1   |
| Reset through WDT time-out                            | 0   | 0    | 1   | 0   |
| Reset through the OCD (OCTCTL[1] set to 1)            | 1   | 0    | 0   | 0   |
| Reset from STOP Mode through the DBG Pin driven Low   | 1   | 0    | 0   | 0   |
| Stop Mode Recovery through GPIO pin transition        | 0   | 1    | 0   | 0   |
| Stop Mode Recovery through WDT time-out               | 0   | 1    | 1   | 0   |

## Watchdog Timer Reload Upper, High and Low Byte Registers

The Watchdog Timer Reload Upper, High and Low Byte (WDTU, WDTH, WDTL) registers, shown in Tables 50 through 52, form the 24-bit reload value that is loaded into the WDT, when a WDT instruction executes. The 24-bit reload value is {WDTU[7:0], WDTH[7:0], WDTL[7:0]}. Writing to these registers sets the required reload value. Reading from these registers returns the current WDT count value.



**Caution:** The 24-bit WDT reload value must not be set to a value less than 000004H.

**Table 50. Watchdog Timer Reload Upper Byte Register (WDTU)**

| Bit   | 7    | 6 | 5 | 4 | 3 | 2 | 1 | 0 |
|---|------|---|---|---|---|---|---|---|
| Field   | WDTU |   |   |   |   |   |   |   |
| RESET   | 1    |   |   |   |   |   |   |   |
| R/W   | R/W* |   |   |   |   |   |   |   |
| Address   | FF1H |   |   |   |   |   |   |   |
| Note: *R/W = a read returns the current WDT count value; a write sets the appropriate reload value. |      |   |   |   |   |   |   |   |

| Bit           | Description   |
|---------------|---|
| [7:0]<br>WDTU | <b>WDT Reload Upper Byte</b><br>Most significant byte (MSB), bits [23:16] of the 24-bit WDT reload value. |

**Table 51. Watchdog Timer Reload High Byte Register (WDTH)**

| Bit   | 7    | 6 | 5 | 4 | 3 | 2 | 1 | 0 |
|---|------|---|---|---|---|---|---|---|
| Field   | WDTH |   |   |   |   |   |   |   |
| RESET   | 1    |   |   |   |   |   |   |   |
| R/W   | R/W* |   |   |   |   |   |   |   |
| Address   | FF2H |   |   |   |   |   |   |   |
| Note: *R/W = a read returns the current WDT count value; a write sets the appropriate reload value. |      |   |   |   |   |   |   |   |

| Bit           | Description   |
|---------------|---|
| [7:0]<br>WDTH | <b>WDT Reload High Byte</b><br>Middle byte, bits [15:8] of the 24-bit WDT reload value. |

**Table 52. Watchdog Timer Reload Low Byte Register (WDTL)**

| Bit   | 7    | 6 | 5 | 4 | 3 | 2 | 1 | 0 |
|---|------|---|---|---|---|---|---|---|
| <b>Field</b>  | WDTL |   |   |   |   |   |   |   |
| <b>RESET</b>  | 1    |   |   |   |   |   |   |   |
| <b>R/W</b>  | R/W* |   |   |   |   |   |   |   |
| <b>Address</b>  | FF3H |   |   |   |   |   |   |   |
| Note: *R/W = a read returns the current WDT count value; a write sets the appropriate reload value. |      |   |   |   |   |   |   |   |

| Bit   | Description  |
|-------|--|
| [7:0] | <b>WDT Reload Low</b>  |
| WDTL  | Least significant byte (LSB), bits [7:0] of the 24-bit WDT reload value. |

## ***Universal Asynchronous Receiver/ Transmitter***

The Universal Asynchronous Receiver/Transmitter (UART) is a full-duplex communication channel capable of handling asynchronous data transfers. The UART uses a single 8-bit data mode with selectable parity. Features of the UART include:

- 8-bit asynchronous data transfer
- Selectable even- and odd-parity generation and checking
- Option of one or two stop bits
- Separate transmit and receive interrupts
- Framing, parity, overrun, and break detection
- Separate transmit and receive enables
- 16-bit Baud Rate Generator
- Selectable MULTIPROCESSOR (9-Bit) Mode with three configurable interrupt schemes
- BRG timer mode
- Driver Enable output for external bus transceivers

### **Architecture**

The UART consists of three primary functional blocks: Transmitter, Receiver, and Baud Rate Generator. The UART's transmitter and receiver functions independently, but use the same baud rate and data format. Figure 11 displays the UART architecture.

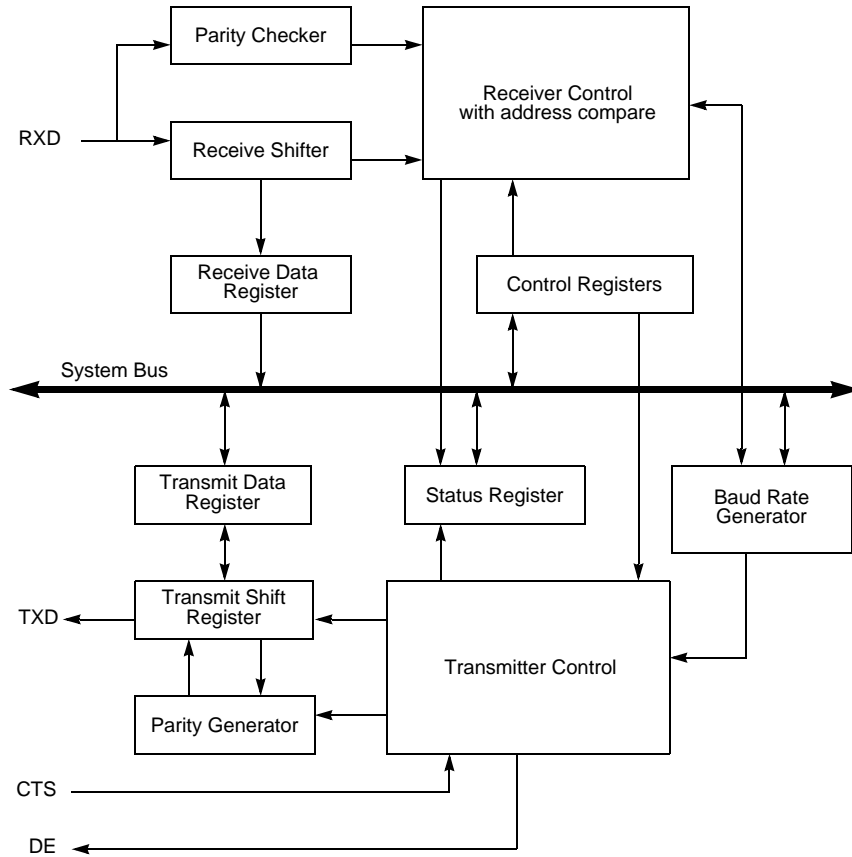


Figure 11. UART Block Diagram

## Operation

The UART always transmits and receives data in an 8-bit data format, least-significant bit first. An even or odd parity bit is optionally added to the data stream. Each character begins with an active Low start bit and ends with either 1 or 2 active High stop bits. Figures 12 and 13 display the asynchronous data format used by the UART without parity and with parity, respectively.

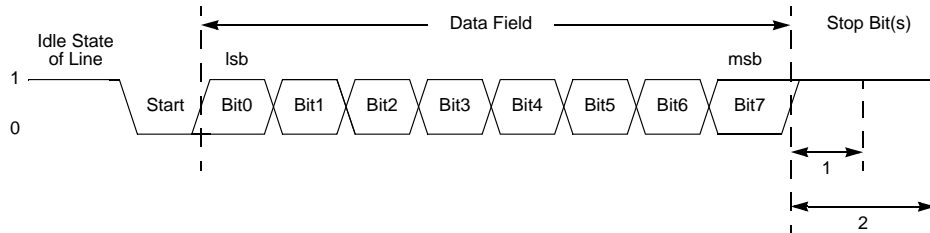


Figure 12. UART Asynchronous Data Format without Parity

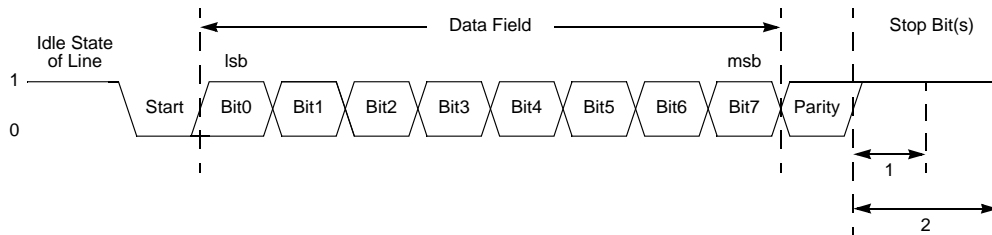


Figure 13. UART Asynchronous Data Format with Parity

## Transmitting Data using Polled Method

Observe the following procedure to transmit data using polled method of operation:

1. Write to the UART Baud Rate High Byte and Low Byte registers to set the required baud rate.
2. Enable the UART pin functions by configuring the associated GPIO port pins for alternate function operation.
3. If MULTIPROCESSOR Mode is required, write to the UART Control 1 Register to enable multiprocessor (9-bit) mode functions.
  - Set the Multiprocessor Mode Select (MPEN) to enable MULTIPROCESSOR Mode.
4. Write to the UART Control 0 Register to:
  - Set the transmit enable bit (TEN) to enable the UART for data transmission
  - If parity is required, and MULTIPROCESSOR Mode is not enabled, set the parity enable bit (PEN) and select either even or odd parity (PSEL).

- Set or clear the CTSE bit to enable or disable control from the remote receiver using the  $\overline{\text{CTS}}$  pin.
- 5. Check the TDRE bit in the UART Status 0 Register to determine if the Transmit Data Register is empty (indicated by a 1). If empty, continue to [Step 6](#). If the Transmit Data Register is full (indicated by a 0), continue to monitor the TDRE bit until the Transmit Data Register becomes available to receive new data.
- 6. Write the UART Control 1 Register to select the outgoing address bit:
  - Set the Multiprocessor Bit Transmitter (MPBT) if sending an address byte, clear it if sending a data byte.
- 7. Write data byte to the UART Transmit Data Register. The transmitter automatically transfers data to the Transmit Shift Register and then transmits the data.
- 8. If required, and multiprocessor mode is enabled, make any changes to the Multiprocessor Bit Transmitter (MPBT) value.
- 9. To transmit additional bytes, return to [Step 5](#).

## Transmitting Data Using Interrupt-Driven Method

The UART Transmitter interrupt indicates the availability of the Transmit Data Register to accept new data for transmission. Follow the below steps to configure the UART for interrupt-driven data transmission:

1. Write to the UART Baud Rate High and Low Byte registers to set the required baud rate.
2. Enable the UART pin functions by configuring the associated GPIO port pins for alternate function operation.
3. Execute a DI instruction to disable interrupts.
4. Write to the Interrupt Control registers to enable the UART Transmitter interrupt and set the required priority.
5. If MULTIPROCESSOR Mode is required, write to the UART Control 1 Register to enable MULTIPROCESSOR (9-Bit) Mode functions:
  - Set the Multiprocessor Mode Select (MPEN) to enable MULTIPROCESSOR Mode.
6. Write to the UART Control 0 Register to:
  - Set the transmit enable (TEN) bit to enable the UART for data transmission
  - Enable parity, if required, and if MULTIPROCESSOR Mode is not enabled, and select either even or odd parity.

- Set or clear the CTSE bit to enable or disable control from the remote receiver through the  $\overline{\text{CTS}}$  pin.
7. Execute an EI instruction to enable interrupts.

The UART is now configured for interrupt-driven data transmission. Because the UART Transmit Data Register is empty, an interrupt is generated immediately. When the UART transmit interrupt is detected, the associated ISR performs the following:

1. Write the UART Control 1 Register to select the outgoing address bit:
  - Set the Multiprocessor Bit Transmitter (MPBT) if sending an address byte; clear it if sending a data byte.
2. Write the data byte to the UART Transmit Data Register. The transmitter automatically transfers data to the Transmit Shift Register and then transmits the data.
3. Clear the UART transmit interrupt bit in the applicable Interrupt Request Register.
4. Execute the IRET instruction to return from the ISR and waits for the Transmit Data Register to again become empty.

## Receiving Data using the Polled Method

Observe the following procedure to configure the UART for polled data reception:

1. Write to the UART Baud Rate High and Low Byte registers to set the required baud rate.
2. Enable the UART pin functions by configuring the associated GPIO port pins for alternate function operation.
3. Write to the UART Control 1 Register to enable Multiprocessor mode functions, if appropriate.
4. Write to the UART Control 0 Register to:
  - Set the receive enable bit (REN) to enable the UART for data reception
  - Enable parity, if required, and if MULTIPROCESSOR Mode is not enabled, and select either even or odd parity.
5. Check the RDA bit in the UART Status 0 Register to determine if the Receive Data Register contains a valid data byte (indicated by 1). If RDA is set to 1 to indicate available data, continue to [Step 6](#). If the Receive Data Register is empty (indicated by a 0), continue to monitor the RDA bit awaiting reception of the valid data.

6. Read data from the UART Receive Data Register. If operating in MULTIPROCESSOR (9-Bit) Mode, further actions may be required depending on the Multiprocessor Mode bits MPMD[1:0].
7. Return to [Step 5](#) to receive additional data.

## Receiving Data Using Interrupt-Driven Method

The UART Receiver interrupt indicates the availability of new data (as well as error conditions). Observe the following procedure to configure the UART receiver for interrupt-driven operation:

1. Write to the UART Baud Rate High and Low Byte registers to set the required baud rate.
2. Enable the UART pin functions by configuring the associated GPIO port pins for alternate function operation.
3. Execute a DI instruction to disable interrupts.
4. Write to the Interrupt Control registers to enable the UART Receiver interrupt and set the required priority.
5. Clear the UART Receiver interrupt in the applicable Interrupt Request Register.
6. Write to the UART Control 1 Register to enable MULTIPROCESSOR (9-Bit) Mode functions, if appropriate.
  - Set the Multiprocessor Mode Select (MPEN) to enable MULTIPROCESSOR Mode.
  - Set the Multiprocessor Mode bits, MPMD[1:0], to select the required address matching scheme.
  - Configure the UART to interrupt on received data and errors or errors only (interrupt on errors only is unlikely to be useful for Z8 Encore! XP devices without a DMA block)
7. Write the device address to the Address Compare Register (automatic multiprocessor modes only).
8. Write to the UART Control 0 Register to:
  - Set the receive enable bit (REN) to enable the UART for data reception
  - Enable parity, if required, and if MULTIPROCESSOR Mode is not enabled, and select either even or odd parity.
9. Execute an EI instruction to enable interrupts.

The UART is now configured for interrupt-driven data reception. When the UART Receiver Interrupt is detected, the associated ISR performs the following operations:

1. Check the UART Status 0 Register to determine the source of the interrupt, whether error, break or received data.
2. If the interrupt was due to data available, read the data from the UART Receive Data Register. If operating in MULTIPROCESSOR (9-Bit) Mode, further actions may be required depending on the Multiprocessor Mode bits MPMD[1:0].
3. Clear the UART Receiver Interrupt in the applicable Interrupt Request Register.
4. Execute the IRET instruction to return from the ISR and await more data.

### Clear To Send Operation

The CTS pin, if enabled by the CTSE bit of the UART Control 0 Register, performs flow control on the outgoing transmit datastream. The Clear To Send ( $\overline{CTS}$ ) input pin is sampled one system clock before beginning any new character transmission. To delay transmission of the next data character, an external receiver must deassert  $\overline{CTS}$  at least one system clock cycle before a new data transmission begins. For multiple character transmissions, this would be done during stop bit transmission. If  $\overline{CTS}$  deasserts in the middle of a character transmission, the current character is sent completely.

### Multiprocessor (9-Bit) Mode

The UART features a MULTIPROCESSOR (9-Bit) Mode that uses an extra (9th) bit for selective communication when a number of processors share a common UART bus. In MULTIPROCESSOR Mode (also referred to as 9-bit mode), the multiprocessor bit is transmitted following the 8 bits of data and immediately preceding the stop bit(s); this character format is shown in Figure 14.

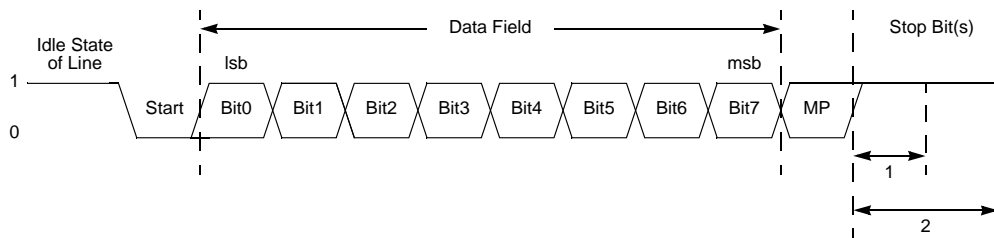


Figure 14. UART Asynchronous Multiprocessor Mode Data Format

In MULTIPROCESSOR (9-Bit) Mode, the Parity bit location (9th bit) becomes the Multiprocessor control bit. The UART Control 1 and Status 1 registers provide MULTIPROCESSOR (9-Bit) Mode control and status information. If an automatic address matching scheme is enabled, the UART Address Compare Register holds the network address of the device.

### MULTIPROCESSOR (9-bit) Mode Receive Interrupts

When multiprocessor mode is enabled, the UART only processes frames addressed to it. The determination of whether a frame of data is addressed to the UART can be made in hardware, software, or combination of the two depending on the multiprocessor configuration bits. In general, the address compare feature reduces the load on the CPU, because it is not required to access the UART when it receives data directed to other devices on the multinode network. The following MULTIPROCESSOR modes are available in hardware:

- Interrupt on all address bytes
- Interrupt on matched address bytes and correctly framed data bytes
- Interrupt only on correctly framed data bytes

These modes are selected with MPMD[1:0] in the UART Control 1 Register. For all MULTIPROCESSOR modes, bit MPEN of the UART Control 1 Register must be set to 1.

The first scheme is enabled by writing 01b to MPMD[1:0]. In this mode, all incoming address bytes cause an interrupt, while data bytes never cause an interrupt. The ISR must manually check the address byte that caused triggered the interrupt. If it matches the UART address, the software should clear MPMD[0]. At this point, each new incoming byte interrupts the CPU. The software is then responsible for determining the end-of-frame. It checks for the end-of-frame by reading the MPRX bit of the UART Status 1 Register for each incoming byte. If MPRX=1, then a new frame begins. If the address of this new frame is different from the UART's address, then MPMD[0] must be set to 1 causing the UART interrupts to go inactive until the next address byte. If the new frame's address matches the UART's address, then the data in the new frame should be processed as well.

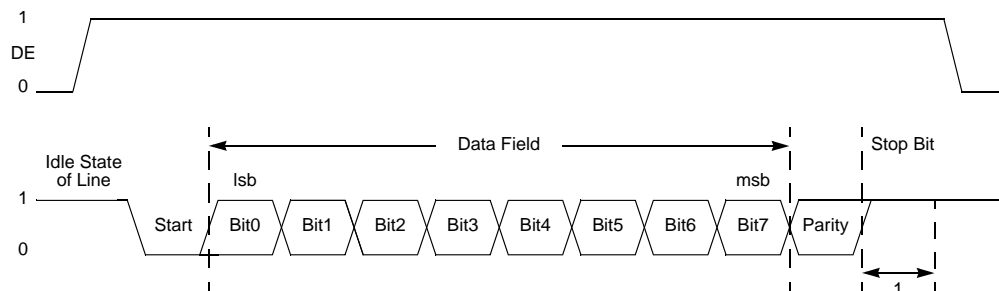
The second scheme is enabled by setting MPMD[1:0] to 10b and writing the UART's address into the UART Address Compare Register. This mode introduces more hardware control, interrupting only on frames that match the UART's address. When an incoming address byte does not match the UART's address, it is ignored. All successive data bytes in this frame are also ignored. When a matching address byte occurs, an interrupt is issued and further interrupts occur on each successive data byte. The first data byte in the frame contains the NEWFRM=1 in the UART Status 1 Register. When the next address byte occurs, the hardware compares it to the UART's address. If there is a match, the interrupts continue and the NEWFRM bit is set for the first byte of the new frame. If there is no match, then the UART ignores all incoming bytes until the next address match.

The third scheme is enabled by setting MPMD[1:0] to 11b and by writing the UART's address into the UART Address Compare Register. This mode is identical to the second scheme, except that there are no interrupts on address bytes. The first data byte of each frame is still accompanied by a NEWFRM assertion.

## External Driver Enable

The UART provides a Driver Enable (DE) signal for off-chip bus transceivers. This feature reduces the software overhead associated with using a GPIO pin to control the transceiver when communicating on a multitransceiver bus, such as RS-485.

Driver Enable is an active High signal that envelopes the entire transmitted data frame including parity and stop bits, as shown in Figure 15. The Driver Enable signal asserts when a byte is written to the UART Transmit Data Register. The Driver Enable signal asserts at least one UART bit period and no greater than two UART bit periods before the start bit is transmitted. This format allows a setup time to enable the transceiver. The Driver Enable signal deasserts one system clock period after the last stop bit is transmitted. This one system clock delay allows both time for data to clear the transceiver before disabling it, as well as the ability to determine if another character follows the current character. In the event of back to back characters (new data must be written to the Transmit Data Register before the previous character is completely transmitted) the DE signal is not deasserted between characters. The DEPOL bit in the UART Control Register 1 sets the polarity of the Driver Enable signal.



**Figure 15. UART Driver Enable Signal Timing (with 1 Stop Bit and Parity)**

The Driver Enable to start bit setup time is calculated as follows:

$$\left( \frac{1}{\text{Baud Rate (Hz)}} \right) \leq \text{DE to Start Bit Setup Time (s)} \leq \left( \frac{2}{\text{Baud Rate (Hz)}} \right)$$

## UART Interrupts

The UART features separate interrupts for the transmitter and the receiver. In addition, when the UART primary functionality is disabled, the BRG also functions as a basic timer with interrupt capability.

### Transmitter Interrupts

The transmitter generates a single interrupt when the Transmit Data Register Empty bit (TDRE) is set to 1. This indicates that the transmitter is ready to accept new data for transmission. The TDRE interrupt occurs after the Transmit Shift Register has shifted the first bit of data out. At this point, the Transmit Data Register can be written with the next character to send. This provides 7 bit periods of latency to load the Transmit Data Register before the Transmit Shift Register completes shifting the current character. Writing to the UART Transmit Data Register clears the TDRE bit to 0.

### Receiver Interrupts

The receiver generates an interrupt when any of the following occurs:

- A data byte is received and is available in the UART Receive Data Register. This interrupt can be disabled independent of the other receiver interrupt sources. The received data interrupt occurs after the receive character is received and placed in the Receive Data Register. Software must respond to this received data available condition before the next character is completely received to avoid an overrun error. In MULTIPROCESSOR Mode (MPEN = 1), the receive data interrupts are dependent on the multiprocessor configuration and the most recent address byte.
- A break is received.
- An overrun is detected.
- A data framing error is detected.

### UART Overrun Errors

When an overrun error condition occurs the UART prevents overwriting of the valid data currently in the Receive Data Register. The break detect and overrun status bits are not displayed until the valid data is read.

After the valid data has been read, the UART Status 0 Register is updated to indicate the overrun condition (and Break Detect, if applicable). The RDA bit is set to 1 to indicate that the Receive Data Register contains a data byte. However, because the overrun error occurred, this byte cannot contain valid data and should be ignored. The BRKD bit indicates if the overrun was caused by a break condition on the line. After reading the status byte indicating an overrun error, the Receive Data Register must be read again to clear the error bits in the UART Status 0 Register. Updates to the Receive Data Register occur only when the next data word is received.

## UART Data and Error Handling Procedure

Figure 16 displays the recommended procedure for UART receiver ISRs.

### Baud Rate Generator Interrupts

If the BRG interrupt enable is set, the UART Receiver interrupt asserts when the UART Baud Rate Generator reloads. This action allows the BRG to function as an additional counter if the UART functionality is not employed.

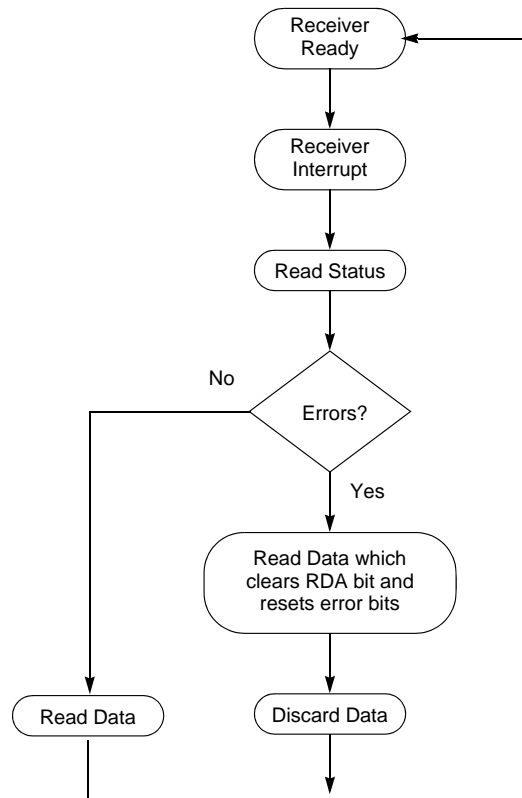


Figure 16. UART Receiver Interrupt Service Routine Flow

## UART Baud Rate Generator

The UART Baud Rate Generator creates a lower frequency baud rate clock for data transmission. The input to the BRG is the system clock. The UART Baud Rate High and Low Byte registers combine to create a 16-bit baud rate divisor value (BRG[15:0]) that sets the data transmission rate (baud rate) of the UART. The UART data rate is calculated using the following equation:

$$\text{UART Data Rate (bits/s)} = \frac{\text{System Clock Frequency (Hz)}}{16 \times \text{UART Baud Rate Divisor Value}}$$

When the UART is disabled, the BRG functions as a basic 16-bit timer with interrupt upon time-out. Observe the following procedure to configure the BRG as a timer with interrupt upon time-out:

1. Disable the UART by clearing the REN and TEN bits in the UART Control 0 Register to 0.
2. Load the appropriate 16-bit count value into the UART Baud Rate High and Low Byte registers.
3. Enable the BRG timer function and associated interrupt by setting the BKGCTL bit in the UART Control 1 Register to 1.

When configured as a general-purpose timer, the interrupt interval is calculated using the following equation:

$$\text{Interrupt Interval (s)} = \text{System Clock Period (s)} \times \text{BRG[15:0]}$$

## UART Control Register Definitions

The UART Control registers support the UART and the associated Infrared Encoder/Decoders. See the [Infrared Encoder/Decoder](#) chapter on page 97 for more information about the infrared operation.

## UART Transmit Data Register

Data bytes written to the UART Transmit Data Register, shown in Table 53, are shifted out on the TXD<sub>x</sub> pin. The write-only UART Transmit Data Register shares a Register File address with the read-only UART Receive Data Register.

**Table 53. UART Transmit Data Register (U0TXD)**

| Bit     | 7    | 6 | 5 | 4 | 3 | 2 | 1 | 0 |
|---------|------|---|---|---|---|---|---|---|
| Field   | TXD  |   |   |   |   |   |   |   |
| RESET   | X    | X | X | X | X | X | X | X |
| R/W     | W    | W | W | W | W | W | W | W |
| Address | F40H |   |   |   |   |   |   |   |

| Bit   | Description  |
|-------|--|
| [7:0] | <b>Transmit Data</b>   |
| TXD   | UART transmitter data byte to be shifted out through the TXDx pin. |

## UART Receive Data Register

Data bytes received through the RXDx pin are stored in the UART Receive Data Register, which is shown in Table 54. The read-only UART Receive Data Register shares a Register File address with the write-only UART Transmit Data Register.

**Table 54. UART Receive Data Register (U0RXD)**

| Bit     | 7    | 6 | 5 | 4 | 3 | 2 | 1 | 0 |
|---------|------|---|---|---|---|---|---|---|
| Field   | RXD  |   |   |   |   |   |   |   |
| RESET   | X    |   |   |   |   |   |   |   |
| R/W     | R    |   |   |   |   |   |   |   |
| Address | F40H |   |   |   |   |   |   |   |

| Bit   | Description                                |
|-------|--|
| [7:0] | <b>Receive Data</b>                        |
| RXD   | UART receiver data byte from the RXDx pin. |

## UART Status 0 Register

The UART Status 0 and Status 1 registers, shown in Tables 55 and 56, identify the current UART operating configuration and status.

**Table 55. UART Status 0 Register (U0STAT0)**

| Bit     | 7    | 6  | 5  | 4  | 3    | 2    | 1   | 0   |
|---------|------|----|----|----|------|------|-----|-----|
| Field   | RDA  | PE | OE | FE | BRKD | TDRE | TXE | CTS |
| RESET   | 0    |    |    |    |      | 1    |     | X   |
| R/W     | R    |    |    |    |      |      |     |     |
| Address | F41H |    |    |    |      |      |     |     |

| Bit         | Description   |
|-------------|---|
| [7]<br>RDA  | <b>Receive Data Available</b><br>This bit indicates that the UART Receive Data Register has received data. Reading the UART Receive Data Register clears this bit.<br>0 = The UART Receive Data Register is empty.<br>1 = There is a byte in the UART Receive Data Register.  |
| [6]<br>PE   | <b>Parity Error</b><br>This bit indicates that a parity error has occurred. Reading the UART Receive Data Register clears this bit.<br>0 = No parity error has occurred.<br>1 = A parity error has occurred.  |
| [5]<br>OE   | <b>Overrun Error</b><br>This bit indicates that an overrun error has occurred. An overrun occurs when new data is received and the UART Receive Data Register has not been read. If the RDA bit is reset to 0, then reading the UART Receive Data Register clears this bit.<br>0 = No overrun error occurred.<br>1 = An overrun error occurred. |
| [4]<br>FE   | <b>Framing Error</b><br>This bit indicates that a framing error (no stop bit following data reception) was detected. Reading the UART Receive Data Register clears this bit.<br>0 = No framing error occurred.<br>1 = A framing error occurred.   |
| [3]<br>BRKD | <b>Break Detect</b><br>This bit indicates that a break occurred. If the data bits, parity/multiprocessor bit, and stop bit(s) are all zeros then this bit is set to 1. Reading the UART Receive Data Register clears this bit.<br>0 = No break occurred.<br>1 = A break occurred.   |
| [2]<br>TDRE |   |

| Bit        | Description (Continued)  |
|------------|--|
| [1]<br>TXE | <b>Transmitter Data Register Empty</b><br>This bit indicates that the UART Transmit Data Register is empty and ready for additional data. Writing to the UART Transmit Data Register resets this bit.<br>0 = Do not write to the UART Transmit Data Register.<br>1 = The UART Transmit Data Register is ready to receive an additional byte to be transmitted. |
| [0]<br>CTS | <b>CTS Signal</b><br>When this bit is read it returns the level of the $\overline{\text{CTS}}$ signal.   |

## UART Status 1 Register

The UART Status 1 Register, shown in Table 56, contains multiprocessor control and status bits.

**Table 56. UART Status 1 Register (U0STAT1)**

| Bit            | 7        | 6 | 5 | 4   | 3 | 2 | 1      | 0    |
|----------------|----------|---|---|-----|---|---|--------|------|
| <b>Field</b>   | Reserved |   |   |     |   |   | NEWFRM | MPRX |
| <b>RESET</b>   | 0        |   |   |     |   |   |        |      |
| <b>R/W</b>     | R        |   |   | R/W |   |   | R      |      |
| <b>Address</b> | F44H     |   |   |     |   |   |        |      |

| Bit           | Description  |
|---------------|--|
| [7:2]         | <b>Reserved</b><br>These bits are reserved and must be programmed to 000000.   |
| [1]<br>NEWFRM | <b>New Frame</b><br>Status bit denoting the start of a new frame. Reading the UART Receive Data Register resets this bit to 0.<br>0 = The current byte is not the first data byte of a new frame.<br>1 = The current byte is the first data byte of a new frame. |
| [0]<br>MPRX   | <b>Multiprocessor Receive</b><br>Returns the value of the last multiprocessor bit received. Reading from the UART Receive Data Register resets this bit to 0.  |

## UART Control 0 and Control 1 Registers

The UART Control 0 and Control 1 registers, shown in Tables 57 and 58, configure the properties of the UART's transmit and receive operations. The UART Control registers must not be written while the UART is enabled.

**Table 57. UART Control 0 Register (UOCTL0)**

| Bit     | 7    | 6   | 5    | 4   | 3    | 2    | 1    | 0    |
|---------|------|-----|------|-----|------|------|------|------|
| Field   | TEN  | REN | CTSE | PEN | PSEL | SBRK | STOP | LBEN |
| RESET   | 0    |     |      |     |      |      |      |      |
| R/W     | R/W  |     |      |     |      |      |      |      |
| Address | F42H |     |      |     |      |      |      |      |

| Bit         | Description   |
|-------------|---|
| [7]<br>TEN  | <b>Transmit Enable</b><br>This bit enables or disables the transmitter. The enable is also controlled by the $\overline{\text{CTS}}$ signal and the CTSE bit. If the $\overline{\text{CTS}}$ signal is Low and the CTSE bit is 1, the transmitter is enabled.<br>0 = Transmitter disabled.<br>1 = Transmitter enabled.  |
| [6]<br>REN  | <b>Receive Enable</b><br>This bit enables or disables the receiver.<br>0 = Receiver disabled.<br>1 = Receiver enabled.  |
| [5]<br>CTSE | <b>CTS Enable</b><br>0 = The CTS signal has no effect on the transmitter.<br>1 = The UART recognizes the $\overline{\text{CTS}}$ signal as an enable control from the transmitter.  |
| [4]<br>PEN  | <b>Parity Enable</b><br>This bit enables or disables parity. Even or odd is determined by the PSEL bit. This bit is overridden by the MPEN bit.<br>0 = Parity is disabled.<br>1 = The transmitter sends data with an additional parity bit and the receiver receives an additional parity bit.  |
| [3]<br>PSEL | <b>Parity Select</b><br>0 = Even parity is transmitted and expected on all received data.<br>1 = Odd parity is transmitted and expected on all received data.   |
| [2]<br>SBRK | <b>Send Break</b><br>This bit pauses or breaks data transmission by forcing the Transmit data output to 0. Sending a break interrupts any transmission in progress, so ensure that the transmitter has finished sending data before setting this bit. The UART does not automatically generate a stop bit when SBRK is deasserted. Software must time the duration of the break and the duration of any appropriate stop bit time following the break.<br>0 = No break is sent.<br>1 = The output of the transmitter is zero. |

| Bit         | Description (Continued)   |
|-------------|---|
| [1]<br>STOP | <b>Stop Bit Select</b><br>0 = The transmitter sends one stop bit.<br>1 = The transmitter sends two stop bits. |
| [0]<br>LBEN | <b>Loop Back Enable</b><br>0 = Normal operation.<br>1 = All transmitted data is looped back to the receiver.  |

Table 58. UART Control 1 Register (U0CTL1)

| Bit     | 7       | 6    | 5       | 4    | 3     | 2      | 1      | 0    |
|---------|---------|------|---------|------|-------|--------|--------|------|
| Field   | MPMD[1] | MPEN | MPMD[0] | MPBT | DEPOL | BRGCTL | RDAIRQ | IREN |
| RESET   | 0       |      |         |      |       |        |        |      |
| R/W     | R/W     |      |         |      |       |        |        |      |
| Address | F43H    |      |         |      |       |        |        |      |

| Bit                | Description  |
|--------------------|--|
| [7,5]<br>MPMD[1,0] | <b>Multiprocessor Mode</b><br>If MULTIPROCESSOR (9-Bit) Mode is enabled,<br>00 = The UART generates an interrupt request on all received bytes (data and address).<br>01 = The UART generates an interrupt request only on received address bytes.<br>10 = The UART generates an interrupt request when a received address byte matches the value stored in the Address Compare Register and on all successive data bytes until an address mismatch occurs.<br>11 = The UART generates an interrupt request on all received data bytes for which the most recent address byte matched the value in the Address Compare Register. |
| [6]<br>MPEN        | <b>Multiprocessor (9-Bit) Enable</b><br>This bit is used to enable MULTIPROCESSOR (9-Bit) Mode.<br>0 = Disable MULTIPROCESSOR (9-Bit) Mode.<br>1 = Enable MULTIPROCESSOR (9-Bit) Mode.   |
| [4]<br>MPBT        | <b>Multiprocessor Bit Transmit</b><br>This bit is applicable only when MULTIPROCESSOR (9-Bit) Mode is enabled.<br>0 = Send a 0 in the multiprocessor bit location of the data stream (9th bit).<br>1 = Send a 1 in the multiprocessor bit location of the data stream (9th bit).   |
| [3]<br>DEPOL       | <b>Driver Enable Polarity</b><br>0 = DE signal is Active High.<br>1 = DE signal is Active Low.   |

| Bit           | Description (Continued)   |
|---------------|---|
| [2]<br>BRGCTL | <p><b>Baud Rate Control</b></p> <p>This bit causes different UART behavior depending on whether the UART receiver is enabled (REN = 1 in the UART Control 0 Register).<br/>When the UART receiver is not enabled, this bit determines whether the BRG will issue interrupts.<br/>0 = Reads from the Baud Rate High and Low Byte registers return the BRG reload value<br/>1 = The BRG generates a receive interrupt when it counts down to zero. Reads from the Baud Rate High and Low Byte registers return the current BRG count value.</p> <p>When the UART receiver is enabled, this bit allows reads from the Baud Rate registers to return the BRG count value instead of the reload value.<br/>0 = Reads from the Baud Rate High and Low Byte registers return the BRG reload value.<br/>1 = Reads from the Baud Rate High and Low Byte registers return the current BRG count value. Unlike the Timers, there is no mechanism to latch the High Byte when the Low Byte is read.</p> |
| [1]<br>RDAIRQ | <p><b>Receive Data Interrupt Enable</b></p> <p>0 = Received data and receiver errors generates an interrupt request to the Interrupt Controller.<br/>1 = Received data does not generate an interrupt request to the Interrupt Controller. Only receiver errors generate an interrupt request.</p>  |
| [0]<br>IREN   | <p><b>Infrared Encoder/Decoder Enable</b></p> <p>0 = Infrared Encoder/Decoder is disabled. UART operates normally operation.<br/>1 = Infrared Encoder/Decoder is enabled. The UART transmits and receives data through the Infrared Encoder/Decoder.</p>  |

## UART Address Compare Register

The UART Address Compare Register, shown in Table 59, stores the multinode network address of the UART. When the MPMD[1] bit of UART Control Register 0 is set, all incoming address bytes will be compared to the value stored in the Address Compare Register. Receive interrupts and RDA assertions will only occur in the event of a match.

**Table 59. UART Address Compare Register (UOADDR)**

| Bit     | 7         | 6 | 5 | 4 | 3 | 2 | 1 | 0 |
|---------|-----------|---|---|---|---|---|---|---|
| Field   | COMP_ADDR |   |   |   |   |   |   |   |
| RESET   | 0         |   |   |   |   |   |   |   |
| R/W     | R/W       |   |   |   |   |   |   |   |
| Address | F45H      |   |   |   |   |   |   |   |

| Bit                | Description  |
|--------------------|--|
| [7:0]<br>COMP_ADDR | <p><b>Compare Address</b></p> <p>This 8-bit value is compared to the incoming address bytes.</p> |

## UART Baud Rate High and Low Byte Registers

The UART Baud Rate High and Low Byte registers, shown in Tables 60 and 61, combine to create a 16-bit baud rate divisor value (BRG[15:0]) that sets the data transmission rate (baud rate) of the UART.

**Table 60. UART Baud Rate High Byte Register (U0BRH)**

| Bit     | 7    | 6 | 5 | 4 | 3 | 2 | 1 | 0 |
|---------|------|---|---|---|---|---|---|---|
| Field   | BRH  |   |   |   |   |   |   |   |
| RESET   | 1    |   |   |   |   |   |   |   |
| R/W     | R/W  |   |   |   |   |   |   |   |
| Address | F46H |   |   |   |   |   |   |   |

**Table 61. UART Baud Rate Low Byte Register (U0BRL)**

| Bit     | 7    | 6 | 5 | 4 | 3 | 2 | 1 | 0 |
|---------|------|---|---|---|---|---|---|---|
| Field   | BRL  |   |   |   |   |   |   |   |
| RESET   | 1    |   |   |   |   |   |   |   |
| R/W     | R/W  |   |   |   |   |   |   |   |
| Address | F47H |   |   |   |   |   |   |   |

The UART data rate is calculated using the following equation:

$$\text{UART Baud Rate (bits/s)} = \frac{\text{System Clock Frequency (Hz)}}{16 \times \text{UART Baud Rate Divisor Value}}$$

For a given UART data rate, the integer baud rate divisor value is calculated using the following equation:

$$\text{UART Baud Rate Divisor Value (BRG)} = \text{Round}\left(\frac{\text{System Clock Frequency (Hz)}}{16 \times \text{UART Data Rate (bits/s)}}\right)$$

The baud rate error relative to the desired baud rate is calculated using the following equation:

$$\text{UART Baud Rate Error (\%)} = 100 \times \left( \frac{\text{Actual Data Rate} - \text{Desired Data Rate}}{\text{Desired Data Rate}} \right)$$

For reliable communication, the UART baud rate error must never exceed 5 percent. Table 62 provides information about data rate errors for popular baud rates and commonly used crystal oscillator frequencies.

**Table 62. UART Baud Rates**

| 10.0MHz System Clock     |                       |                   |           | 5.5296MHz System Clock |                       |                   |           |
|--------------------------|-----------------------|-------------------|-----------|------------------------|-----------------------|-------------------|-----------|
| Desired Rate (kHz)       | BRG Divisor (Decimal) | Actual Rate (kHz) | Error (%) | Desired Rate (kHz)     | BRG Divisor (Decimal) | Actual Rate (kHz) | Error (%) |
| 1250.0                   | N/A                   | N/A               | N/A       | 1250.0                 | N/A                   | N/A               | N/A       |
| 625.0                    | 1                     | 625.0             | 0.00      | 625.0                  | N/A                   | N/A               | N/A       |
| 250.0                    | 3                     | 208.33            | -16.67    | 250.0                  | 1                     | 345.6             | 38.24     |
| 115.2                    | 5                     | 125.0             | 8.51      | 115.2                  | 3                     | 115.2             | 0.00      |
| 57.6                     | 11                    | 56.8              | -1.36     | 57.6                   | 6                     | 57.6              | 0.00      |
| 38.4                     | 16                    | 39.1              | 1.73      | 38.4                   | 9                     | 38.4              | 0.00      |
| 19.2                     | 33                    | 18.9              | 0.16      | 19.2                   | 18                    | 19.2              | 0.00      |
| 9.60                     | 65                    | 9.62              | 0.16      | 9.60                   | 36                    | 9.60              | 0.00      |
| 4.80                     | 130                   | 4.81              | 0.16      | 4.80                   | 72                    | 4.80              | 0.00      |
| 2.40                     | 260                   | 2.40              | -0.03     | 2.40                   | 144                   | 2.40              | 0.00      |
| 1.20                     | 521                   | 1.20              | -0.03     | 1.20                   | 288                   | 1.20              | 0.00      |
| 0.60                     | 1042                  | 0.60              | -0.03     | 0.60                   | 576                   | 0.60              | 0.00      |
| 0.30                     | 2083                  | 0.30              | 0.2       | 0.30                   | 1152                  | 0.30              | 0.00      |
| 3.579545MHz System Clock |                       |                   |           | 1.8432MHz System Clock |                       |                   |           |
| Desired Rate (kHz)       | BRG Divisor (Decimal) | Actual Rate (kHz) | Error (%) | Desired Rate (kHz)     | BRG Divisor (Decimal) | Actual Rate (kHz) | Error (%) |
| 1250.0                   | N/A                   | N/A               | N/A       | 1250.0                 | N/A                   | N/A               | N/A       |
| 625.0                    | N/A                   | N/A               | N/A       | 625.0                  | N/A                   | N/A               | N/A       |
| 250.0                    | 1                     | 223.72            | -10.51    | 250.0                  | N/A                   | N/A               | N/A       |
| 115.2                    | 2                     | 111.9             | -2.90     | 115.2                  | 1                     | 115.2             | 0.00      |
| 57.6                     | 4                     | 55.9              | -2.90     | 57.6                   | 2                     | 57.6              | 0.00      |
| 38.4                     | 6                     | 37.3              | -2.90     | 38.4                   | 3                     | 38.4              | 0.00      |
| 19.2                     | 12                    | 18.6              | -2.90     | 19.2                   | 6                     | 19.2              | 0.00      |
| 9.60                     | 23                    | 9.73              | 1.32      | 9.60                   | 12                    | 9.60              | 0.00      |
| 4.80                     | 47                    | 4.76              | -0.83     | 4.80                   | 24                    | 4.80              | 0.00      |
| 2.40                     | 93                    | 2.41              | 0.23      | 2.40                   | 48                    | 2.40              | 0.00      |
| 1.20                     | 186                   | 1.20              | 0.23      | 1.20                   | 96                    | 1.20              | 0.00      |
| 0.60                     | 373                   | 0.60              | -0.04     | 0.60                   | 192                   | 0.60              | 0.00      |
| 0.30                     | 746                   | 0.30              | -0.04     | 0.30                   | 384                   | 0.30              | 0.00      |

## Infrared Encoder/Decoder

Z8 Encore! XP<sup>®</sup> F0822 Series products contain a fully-functional, high-performance UART to Infrared Encoder/Decoder (enec). The infrared enec is integrated with an on-chip UART to allow easy communication between the Z8 Encore! XP and IrDA Physical Layer Specification, v1.3-compliant infrared transceivers. Infrared communication provides secure, reliable, low-cost, point-to-point communication between PCs, PDAs, cell phones, printers, and other infrared enabled devices.

### Architecture

Figure 17 displays the architecture of the infrared enec.

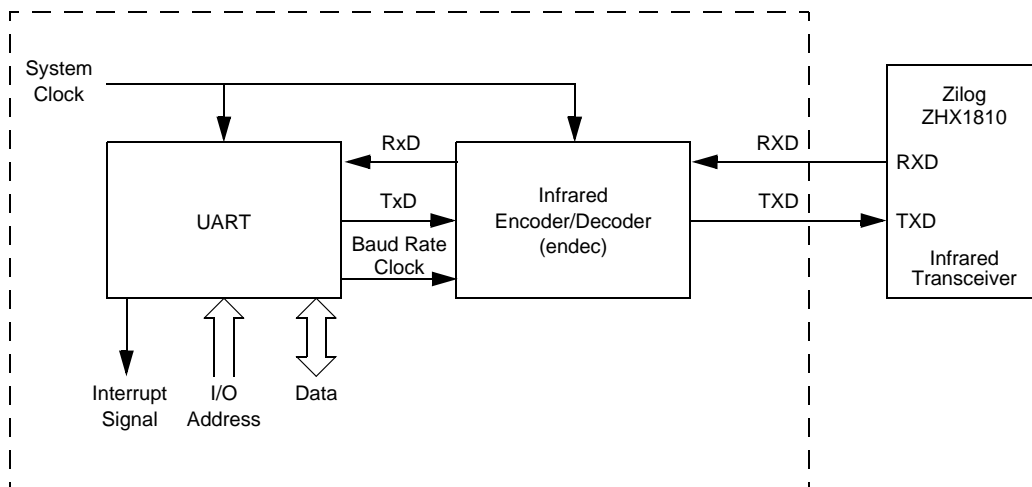


Figure 17. Infrared Data Communication System Block Diagram

### Operation

When the infrared enec is enabled, the transmit data from the associated on-chip UART is encoded as digital signals in accordance with the IrDA standard and output to the infrared transceiver through the TXD pin. Similarly, data received from the infrared transceiver is passed to the infrared enec through the RXD pin, decoded by the infrared enec, and

then passed to the UART. Communication is half-duplex, which means simultaneous data transmission and reception is not allowed.

The baud rate is set by the UART's Baud Rate Generator and supports IrDA standard baud rates from 9600 baud to 115.2 Kbaud. Higher baud rates are possible, but do not meet IrDA specifications. The UART must be enabled to use the infrared endec. The infrared endec data rate is calculated using the following equation.

$$\text{Infrared Data Rate (bits/s)} = \frac{\text{System Clock Frequency (Hz)}}{16 \times \text{UART Baud Rate Divisor Value}}$$

### Transmitting IrDA Data

The data to be transmitted using the infrared transceiver is first sent to the UART. The UART's transmit signal (TXD) and baud rate clock are used by the IrDA to generate the modulation signal (IR\_TXD) that drives the infrared transceiver. Each UART/Infrared data bit is 16-clocks wide. If the data to be transmitted is 1, the IR\_TXD signal remains Low for the full 16-clock period. If the data to be transmitted is 0, a 3-clock High pulse is output following a 7-clock Low period. After the 3-clock High pulse, a 6-clock Low pulse is output to complete the full 16-clock data period. Figure 18 displays IrDA data transmission. When the infrared endec is enabled, the UART's TXD signal is internal to the Z8 Encore! XP<sup>®</sup> F0822 Series products while the IR\_TXD signal is output through the TXD pin.

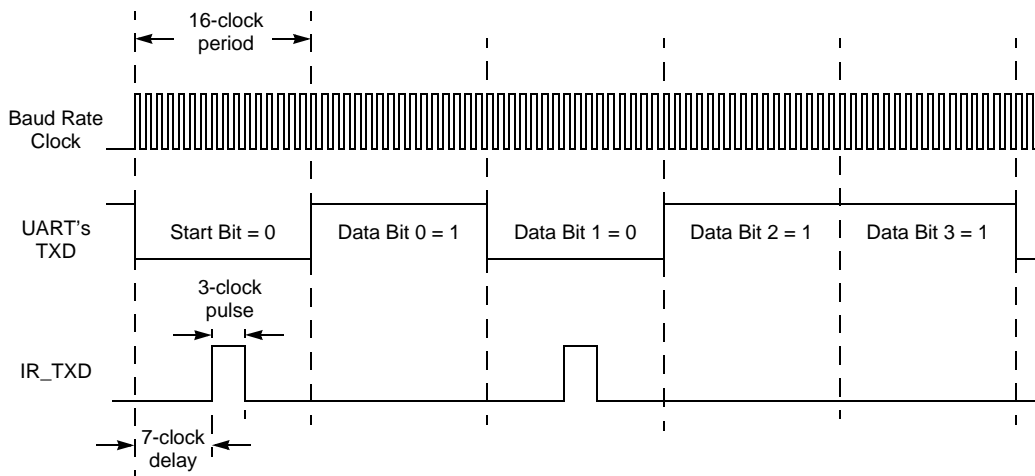


Figure 18. Infrared Data Transmission

## Receiving IrDA Data

Data received from the infrared transceiver through the **IR\_RXD** signal through the **RXD** pin is decoded by the infrared endec and passed to the UART. The UART's baud rate clock is used by the infrared endec to generate the demodulated signal (**RXD**) that drives the UART. Each UART/Infrared data bit is 16-clocks wide. Figure 19 displays data reception. When the infrared endec is enabled, the UART's **RXD** signal is internal to the Z8 Encore! XP® F0822 Series products while the **IR\_RXD** signal is received through the **RXD** pin.

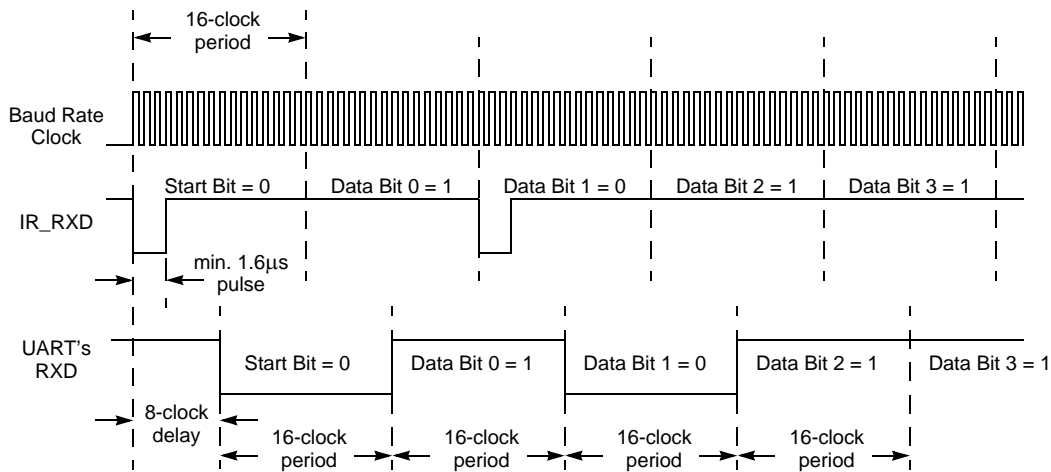


Figure 19. Infrared Data Reception



**Caution:** The system clock frequency must be at least 1.0MHz to ensure proper reception of the 1.6µs minimum width pulses allowed by the IrDA standard.

### Endec Receiver Synchronization

The IrDA receiver uses a local baud rate clock counter (0 to 15 clock periods) to generate an input stream for the UART and to create a sampling window for detection of incoming pulses. The generated UART input (UART RXD) is delayed by 8 baud rate clock periods with respect to the incoming IrDA data stream. When a falling edge in the input data stream is detected, the endec counter is reset. When the count reaches a value of 8, the UART RXD value is updated to reflect the value of the decoded data. When the count reaches 12 baud clock periods, the sampling window for the next incoming pulse opens. The window remains open until the count again reaches 8 (or, in other words, 24 baud

clock periods since the previous pulse was detected). This period allows the endec a sampling window of  $-4$  to  $+8$  baud rate clocks around the expected time of an incoming pulse. If an incoming pulse is detected inside this window, this process is repeated. If the incoming data is a logical 1 (no pulse), the endec returns to its initial state and waits for the next falling edge. As each falling edge is detected, the endec clock counter is reset to resynchronize the endec to the incoming signal. This routine allows the endec to tolerate jitter and baud rate errors in the incoming data stream. Resynchronizing the endec does not alter the operation of the UART, which ultimately receives the data. The UART is only synchronized to the incoming data stream when a start bit is received.

## Infrared Endec Control Register Definitions

All infrared endec configuration and status information is set by the UART control registers as defined in [the UART Control Register Definitions](#) section on page 88.



**Caution:** To prevent spurious signals during IrDA data transmission, set the IREN bit in the UART Control 1 Register to 1 to enable the infrared endec before enabling the GPIO port alternate function for the corresponding pin.

---

## Serial Peripheral Interface

The Serial Peripheral Interface (SPI) is a synchronous interface allowing several SPI-type devices to be interconnected. SPI-compatible devices include EEPROMs, Analog-to-Digital Converters, and ISDN devices. Features of the SPI include:

- Full-duplex, synchronous, and character-oriented communication
- Four-wire interface
- Data transfers rates up to a maximum of one-half the system clock frequency
- Error detection
- Dedicated Baud Rate Generator

The SPI is not available in 20-pin package devices

### Architecture

The SPI is be configured as either a Master (in single- or multiple-master systems) or a Slave, as shown in Figures 20 through 22.

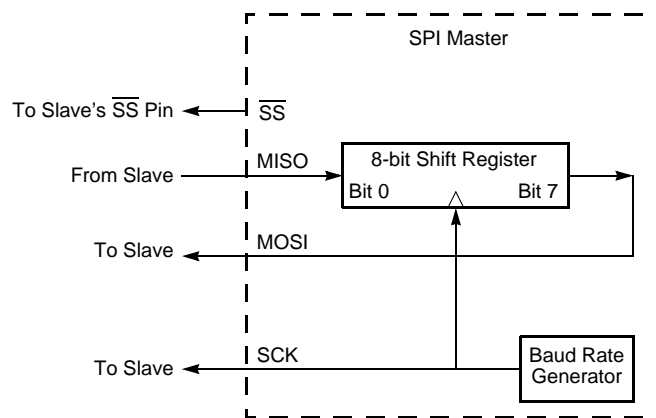


Figure 20. SPI Configured as a Master in a Single Master, Single Slave System

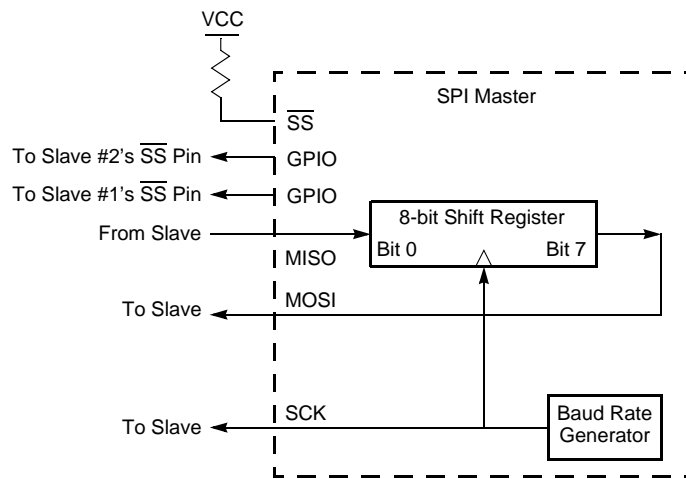


Figure 21. SPI Configured as a Master in a Single Master, Multiple Slave System

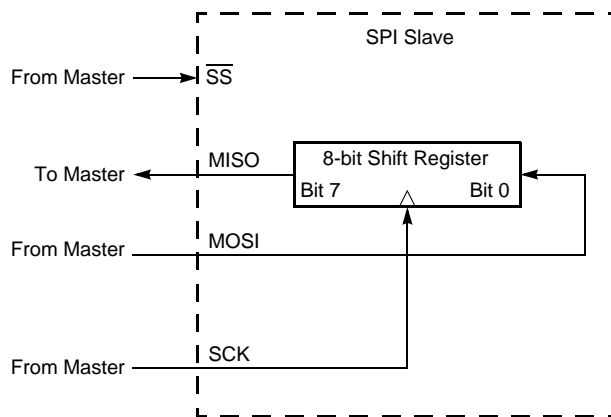


Figure 22. SPI Configured as a Slave

## Operation

The SPI is a full-duplex, synchronous, and character-oriented channel that supports a four-wire interface (serial clock, transmit, receive and Slave select). The SPI block consists of a transmit/receive shift register, a Baud Rate (clock) Generator and a control unit.

During an SPI transfer, data is sent and received simultaneously by both the Master and the Slave SPI devices. Separate signals are required for data and the serial clock. When an SPI transfer occurs, a multibit (typically 8-bit) character is shifted out one data pin and a multibit character is simultaneously shifted in on a second data pin. An 8-bit shift register in the Master and another 8-bit shift register in the Slave are connected as a circular buffer. The SPI Shift Register is single-buffered in the transmit and receive directions. New data to be transmitted cannot be written into the shift register until the previous transmission is complete and receive data (if valid) has been read.

### SPI Signals

The four basic SPI signals are:

- MISO (Master-In, Slave-Out)
- MOSI (Master-Out, Slave-In)
- SCK (Serial Clock)
- $\overline{SS}$  (Slave Select)

The following sections discuss these SPI signals. Each signal is described in both Master and Slave modes.

#### Master-In/Slave-Out

The Master-In/Slave-Out (MISO) pin is configured as an input in a Master device and as an output in a Slave device. It is one of the two lines that transfer serial data, with the most significant bit sent first. The MISO pin of a Slave device is placed in a high-impedance state if the Slave is not selected. When the SPI is not enabled, this signal is in a high-impedance state.

#### Master-Out/Slave-In

The Master-Out/Slave-In (MOSI) pin is configured as an output in a Master device and as an input in a Slave device. It is one of the two lines that transfer serial data, with the most significant bit sent first. When the SPI is not enabled, this signal is in a high-impedance state.

## Serial Clock

The Serial Clock (SCK) synchronizes data movement both in and out of the device through its MOSI and MISO pins. In MASTER Mode, the SPI's Baud Rate Generator creates the serial clock. The Master drives the serial clock out its own SCK pin to the Slave's SCK pin. When the SPI is configured as a Slave, the SCK pin is an input and the clock signal from the Master synchronizes the data transfer between the Master and Slave devices. Slave devices ignore the SCK signal, unless the  $\overline{SS}$  pin is asserted. When configured as a slave, the SPI block requires a minimum SCK period of greater than or equal to 8 times the system ( $X_{IN}$ ) clock period.

The Master and Slave are each capable of exchanging a character of data during a sequence of NUMBITS clock cycles (see the NUMBITS field in the SPI Mode Register). In both Master and Slave SPI devices, data is shifted on one edge of the SCK and is sampled on the opposite edge where data is stable. Edge polarity is determined by the SPI phase and polarity control.

## Slave Select

The active Low Slave Select ( $\overline{SS}$ ) input signal selects a Slave SPI device.  $\overline{SS}$  must be Low prior to all data communication to and from the Slave device.  $\overline{SS}$  must stay Low for the full duration of each character transferred. The  $\overline{SS}$  signal can stay Low during the transfer of multiple characters or can deassert between each character.

When the SPI is configured as the only Master in an SPI system, the  $\overline{SS}$  pin is set as either an input or an output. For communication between the Z8 Encore! XP<sup>®</sup> F0822 Series device's SPI Master and external Slave devices, the  $\overline{SS}$  signal, as an output, asserts the  $\overline{SS}$  input pin on one of the Slave devices. Other GPIO output pins can also be employed to select external SPI Slave devices.

When the SPI is configured as one Master in a multimaster SPI system, the  $\overline{SS}$  pin should be set as an input. The  $\overline{SS}$  input signal on the Master must be High. If the  $\overline{SS}$  signal goes Low (indicating another Master is driving the SPI bus), a Collision error flag is set in the SPI Status Register.

## SPI Clock Phase and Polarity Control

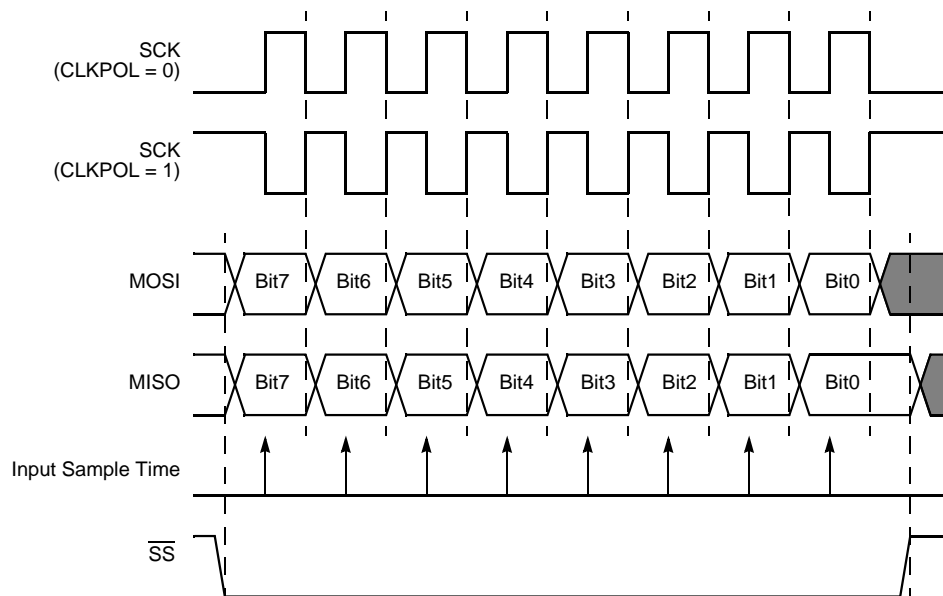
The SPI supports four combinations of serial clock phase and polarity using two bits in the SPI Control Register. The clock polarity bit, CLKPOL, selects an active High or active Low clock and has no effect on the transfer format. Table 63 lists the SPI Clock Phase and Polarity Operation parameters. The clock phase bit, PHASE, selects one of two fundamentally different transfer formats. For proper data transmission, the clock phase and polarity must be identical for the SPI Master and the SPI Slave. The Master always places data on the MOSI line a half-cycle before the receive clock edge (SCK signal), in order for the Slave to latch the data.

**Table 63. SPI Clock Phase (PHASE) and Clock Polarity (CLKPOL) Operation**

| PHASE | CLKPOL | SCK Transmit Edge | SCK Receive Edge | SCK Idle State |
|-------|--------|-------------------|------------------|----------------|
| 0     | 0      | Falling           | Rising           | Low            |
| 0     | 1      | Rising            | Falling          | High           |
| 1     | 0      | Rising            | Falling          | Low            |
| 1     | 1      | Falling           | Rising           | High           |

**Transfer Format PHASE is 0**

Figure 23 displays the timing diagram for an SPI transfer in which PHASE is cleared to 0. The two SCK waveforms show polarity with CLKPOL reset to 0 and with CLKPOL set to one. The diagram can be interpreted as either a Master or Slave timing diagram, because the SCK Master-In/Slave-Out (MISO) and Master-Out/Slave-In (MOSI) pins are directly connected between the Master and the Slave.



**Figure 23. SPI Timing When PHASE is 0**

### Transfer Format PHASE is 1

Figure 24 displays the timing diagram for an SPI transfer in which PHASE is one. Two waveforms are depicted for SCK, one for CLKPOL reset to 0 and another for CLKPOL set to 1.

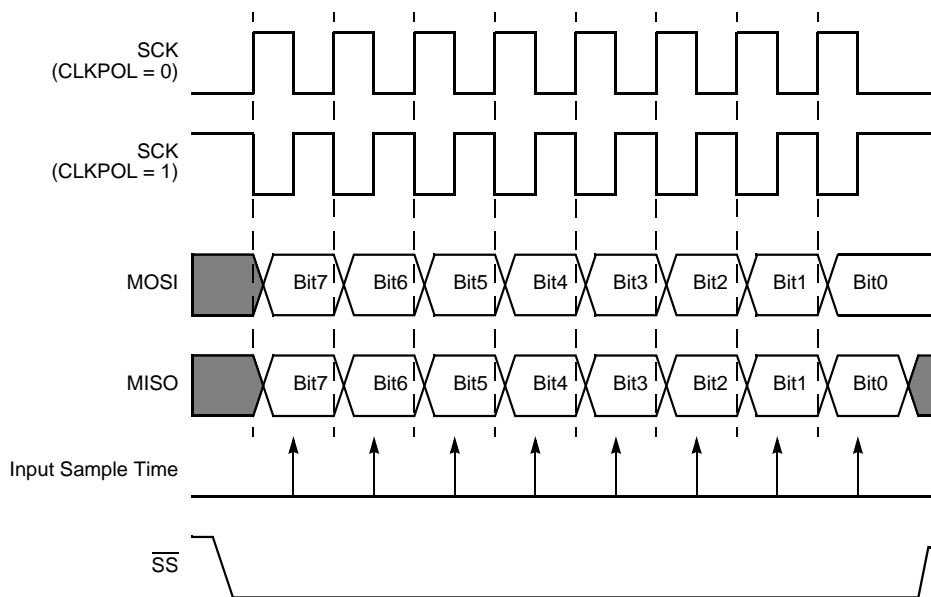


Figure 24. SPI Timing When PHASE is 1

### Multimaster Operation

In a multimaster SPI system, all SCK pins are tied together, all MOSI pins are tied together and all MISO pins are tied together. All SPI pins must then be configured in OPEN-DRAIN Mode to prevent bus contention. At any one time, only one SPI device is configured as the Master and all other SPI devices on the bus are configured as Slaves. The Master enables a single Slave by asserting the  $\overline{SS}$  pin on that Slave only. Then, the single Master drives data out its SCK and MOSI pins to the SCK and MOSI pins on the Slaves (including those which are not enabled). The enabled Slave drives data out its MISO pin to the MISO Master pin.

For a Master device operating in a multimaster system, if the  $\overline{SS}$  pin is configured as an input and is driven Low by another Master, the COL bit is set to 1 in the SPI Status Register. The COL bit indicates the occurrence of a multimaster collision (mode fault error condition).

## Slave Operation

The SPI block is configured for SLAVE Mode operation by setting the SPIEN bit to 1 and the MMEN bit to 0 in the SPICTL Register and setting the SSIO bit to 0 in the SPIMODE Register. The IRQE, PHASE, CLKPOL, and WOR bits in the SPICTL Register and the NUMBITS field in the SPIMODE Register must be set to be consistent with the other SPI devices. The STR bit in the SPICTL Register can be used, if appropriate, to force a *start-up* interrupt. The BIRQ bit in the SPICTL Register and the SSV bit in the SPIMODE Register is not used in SLAVE Mode. The SPI Baud Rate Generator is not used in SLAVE Mode; therefore, the SPIBRH and SPIBRL registers are not required to be initialized.

If the slave has data to send to the master, the data must be written to the SPIDAT Register before the transaction starts (first edge of SCK when  $\overline{SS}$  is asserted). If the SPIDAT Register is not written prior to the slave transaction, the MISO pin outputs whatever value is currently in the SPIDAT Register.

Due to the delay resulting from synchronization of the SPI input signals to the internal system clock, the maximum SPICLK baud rate that can be supported in SLAVE Mode is the system clock frequency ( $X_{IN}$ ) divided by 8. This rate is controlled by the SPI Master.

## Error Detection

The SPI contains error detection logic to support SPI communication protocols and recognize when communication errors have occurred. The SPI Status Register indicates when a data transmission error has been detected.

### Overrun (Write Collision)

An overrun error (write collision) indicates a write to the SPI Data Register was attempted while a data transfer is in progress (in either Master or Slave modes). An overrun sets the OVR bit in the SPI Status Register to 1. Writing a 1 to OVR clears this error flag. The data register is not altered when a write occurs while data transfer is in progress.

### Mode Fault (Multimaster Collision)

A mode fault indicates when more than one Master is trying to communicate at the same time (a multimaster collision). The mode fault is detected when the enabled Master's  $\overline{SS}$  pin is asserted. A mode fault sets the COL bit in the SPI Status Register to 1. Writing a 1 to COL clears this error flag.

### SLAVE Mode Abort

In SLAVE Mode, if the  $\overline{SS}$  pin deasserts before all bits in a character have been transferred, the transaction aborts. When this condition occurs, the ABT bit is set in the SPISTAT Register, and so is the IRQ bit (indicating that the transaction is complete). The next time  $\overline{SS}$  asserts, the MISO pin outputs SPIDAT[7], regardless of where the previous transaction left off. Writing a 1 to ABT clears this error flag.

## SPI Interrupts

When SPI interrupts are enabled, the SPI generates an interrupt after character transmission/reception completes in both Master and Slave modes. A character is defined to be 1 through 8 bits by the NUMBITS field in the SPI Mode Register. In SLAVE Mode it is not necessary for  $\overline{SS}$  to deassert between characters to generate the interrupt. The SPI in SLAVE Mode also generates an interrupt if the  $\overline{SS}$  signal deasserts prior to transfer of all of the bits in a character (see the previous paragraph). Writing a 1 to the IRQ bit in the SPI Status Register clears the pending SPI interrupt request. The IRQ bit must be cleared to 0 by the ISR to generate future interrupts. To start the transfer process, an SPI interrupt can be forced by software writing a 1 to the STR bit in the SPICTL Register.

If the SPI is disabled, an SPI interrupt can be generated by a BRG time-out. This timer function must be enabled by setting the BIRQ bit in the SPICTL Register. This BRG time-out does not set the IRQ bit in the SPISTAT Register, just the SPI interrupt bit in the interrupt controller.

## SPI Baud Rate Generator

In SPI MASTER Mode, the BRG creates a lower frequency serial clock (SCK) for data transmission synchronization between the Master and the external Slave. The input to the BRG is the system clock. The SPI Baud Rate High and Low Byte registers combine to form a 16-bit reload value, BRG[15:0], for the SPI Baud Rate Generator. The SPI baud rate is calculated using the following equation:

$$\text{SPI Baud Rate (bits/s)} = \frac{\text{System Clock Frequency (Hz)}}{2 \times \text{BRG}[15:0]}$$

The minimum baud rate is obtained by setting BRG[15:0] to 0000H for a clock divisor value of (2 x 65536 = 131072).

When the SPI is disabled, BRG functions as a basic 16-bit timer with interrupt upon time-out. Observe the following procedure to configure BRG as a timer with interrupt upon time-out:

1. Disable the SPI by clearing the SPIEN bit in the SPI Control Register to 0.
2. Load the appropriate 16-bit count value into the SPI Baud Rate High and Low Byte registers.
3. Enable BRG timer function and associated interrupt by setting the BIRQ bit in the SPI Control Register to 1.

When configured as a general-purpose timer, the interrupt interval is calculated using the following equation:

$$\text{Interrupt Interval (s)} = \text{System Clock Period (s)} \times \text{BRG}[15:0]$$

## SPI Control Register Definitions

This section defines the features of the following Serial Peripheral Interface registers.

[SPI Data Register](#): see page 109

[SPI Control Register](#): see page 110

[SPI Status Register](#): see page 111

[SPI Mode Register](#): see page 112

[SPI Diagnostic State Register](#): see page 113

[SPI Baud Rate High and Low Byte Registers](#): see page 114

### SPI Data Register

The SPI Data Register, shown in Table 64, stores both the outgoing (transmit) data and the incoming (receive) data. Reads from the SPI Data Register always return the current contents of the 8-bit Shift Register. Data is shifted out starting with bit 7. The last bit received resides in bit position 0.

With the SPI configured as a Master, writing a data byte to this register initiates the data transmission. With the SPI configured as a Slave, writing a data byte to this register loads the shift register in preparation for the next data transfer with the external Master. In either the Master or Slave modes, if a transmission is already in progress, writes to this register are ignored and the Overrun error flag, OVR, is set in the SPI Status Register.

When the character length is less than 8 bits (as set by the NUMBITS field in the SPI Mode Register), the transmit character must be set as *left-justified* in the SPI Data Register. A received character of less than 8 bits is right justified (last bit received is in bit position 0). For example, if the SPI is configured for 4-bit characters, the transmit characters must be written to SPIDATA[7:4] and the received characters are read from SPIDATA[3:0].

**Table 64. SPI Data Register (SPIDATA)**

| Bit     | 7    | 6 | 5 | 4 | 3 | 2 | 1 | 0 |
|---------|------|---|---|---|---|---|---|---|
| Field   | DATA |   |   |   |   |   |   |   |
| RESET   | X    |   |   |   |   |   |   |   |
| R/W     | R/W  |   |   |   |   |   |   |   |
| Address | F60H |   |   |   |   |   |   |   |

| Bit           | Description                                      |
|---------------|--|
| [7:0]<br>DATA | <b>SPI Data</b><br>Transmit and/or receive data. |

## SPI Control Register

The SPI Control Register, shown in Table 65, configures the SPI for transmit and receive operations.

**Table 65. SPI Control Register (SPICTL)**

| Bit            | 7    | 6   | 5    | 4     | 3      | 2   | 1    | 0     |
|----------------|------|-----|------|-------|--------|-----|------|-------|
| <b>Field</b>   | IRQE | STR | BIRQ | PHASE | CLKPOL | WOR | MMEN | SPIEN |
| <b>RESET</b>   | 0    |     |      |       |        |     |      |       |
| <b>R/W</b>     | R/W  |     |      |       |        |     |      |       |
| <b>Address</b> | F61H |     |      |       |        |     |      |       |

| Bit           | Description  |
|---------------|--|
| [7]<br>IRQE   | <b>Interrupt Request Enable</b><br>0 = SPI interrupts are disabled. No interrupt requests are sent to the Interrupt Controller.<br>1 = SPI interrupts are enabled. Interrupt requests are sent to the Interrupt Controller.  |
| [6]<br>STR    | <b>Start an SPI Interrupt Request</b><br>0 = No effect.<br>1 = Setting this bit to 1 also sets the IRQ bit in the SPI Status Register to 1. Setting this bit forces the SPI to send an interrupt request to the Interrupt Control. This bit can be used by software for a function similar to transmit buffer empty in a UART. Writing a 1 to the IRQ bit in the SPI Status Register clears this bit to 0. |
| [5]<br>BIRQ   | <b>BRG Timer Interrupt Request</b><br>If the SPI is enabled, this bit has no effect. If the SPI is disabled:<br>0 = BRG timer function is disabled.<br>1 = BRG timer function and time-out interrupt are enabled.  |
| [4]<br>PHASE  | <b>Phase Select</b><br>Sets the phase relationship of the data to the clock. For more information about operation of the PHASE bit, see the <a href="#">SPI Clock Phase and Polarity Control</a> section on page 104.  |
| [3]<br>CLKPOL | <b>Clock Polarity</b><br>0 = SCK idles Low (0).<br>1 = SCK idle High (1).  |
| [2]<br>WOR    | <b>Wire-OR (Open-Drain) Mode Enabled</b><br>0 = SPI signal pins not configured for open-drain.<br>1 = All four SPI signal pins (SCK, $\overline{SS}$ , MISO, MOSI) configured for open-drain function. This setting is typically used for multimaster and/or multislave configurations.  |
| [1]<br>MMEN   | <b>SPI MASTER Mode Enable</b><br>0 = SPI configured in SLAVE Mode.<br>1 = SPI configured in MASTER Mode.   |
| [0]<br>SPIEN  | <b>SPI Enable</b><br>0 = SPI disabled.<br>1 = SPI enabled.   |

## SPI Status Register

The SPI Status Register, shown in Table 66, indicates the current state of the SPI. All bits revert to their reset state if the SPIEN bit in the SPICTL Register equals 0.

**Table 66. SPI Status Register (SPISTAT)**

| Bit  | 7    | 6   | 5   | 4   | 3        | 2 | 1    | 0    |
|--|------|-----|-----|-----|----------|---|------|------|
| Field  | IRQ  | OVR | COL | ABT | Reserved |   | TXST | SLAS |
| RESET  | 0    |     |     |     |          |   |      | 1    |
| R/W  | R/W* |     |     |     | R        |   |      |      |
| Address  | F62H |     |     |     |          |   |      |      |
| Note: *R/W = read access; write a 1 to clear the bit to 0. |      |     |     |     |          |   |      |      |

| Bit         | Description   |
|-------------|---|
| [7]<br>IRQ  | <b>Interrupt Request</b><br>If SPIEN = 1, this bit is set if the STR bit in the SPICTL Register is set, or upon completion of an SPI Master or Slave transaction. This bit does not set if SPIEN = 0 and the SPI Baud Rate Generator is used as a timer to generate the SPI interrupt.<br>0 = No SPI interrupt request pending.<br>1 = SPI interrupt request is pending.  |
| [6]<br>OVR  | <b>Overrun</b><br>0 = An overrun error has not occurred.<br>1 = An overrun error has been detected.   |
| [5]<br>COL  | <b>Collision</b><br>0 = A multimaster collision (mode fault) has not occurred.<br>1 = A multimaster collision (mode fault) has been detected.   |
| [4]<br>ABT  | <b>SLAVE Mode Transaction Abort</b><br>This bit is set if the SPI is configured in SLAVE Mode, a transaction is occurring and $\overline{SS}$ deasserts before all bits of a character have been transferred as defined by the NUMBITS field of the SPIMODE Register. The IRQ bit also sets, indicating the transaction has completed.<br>0 = A SLAVE Mode transaction abort has not occurred.<br>1 = A SLAVE Mode transaction abort has been detected. |
| [3:2]       | <b>Reserved</b><br>These bits are reserved and must be programmed to 00.  |
| [1]<br>TXST | <b>Transmit Status</b><br>0 = No data transmission currently in progress.<br>1 = Data transmission currently in progress.   |
| [0]<br>SLAS | <b>Slave Select</b><br>If SPI is enabled as a Slave, then the following bit settings are true:<br>0 = $\overline{SS}$ input pin is asserted (Low)<br>1 = $\overline{SS}$ input is not asserted (High).<br>If SPI is enabled as a Master, this bit is not applicable.  |

## SPI Mode Register

The SPI Mode Register, shown in Table 67, configures the character bit width and the direction and value of the  $\overline{SS}$  pin.

**Table 67. SPI Mode Register (SPIMODE)**

| Bit     | 7        | 6 | 5    | 4            | 3 | 2 | 1    | 0   |
|---------|----------|---|------|--------------|---|---|------|-----|
| Field   | Reserved |   | DIAG | NUMBITS[2:0] |   |   | SSIO | SSV |
| RESET   | 0        |   |      |              |   |   |      |     |
| R/W     | R        |   | R/W  |              |   |   |      |     |
| Address | F63H     |   |      |              |   |   |      |     |

| Bit                   | Description  |
|-----------------------|--|
| [7:6]                 | <b>Reserved</b><br>These bits are reserved and must be programmed to 00.   |
| [5]<br>DIAG           | <b>Diagnostic Mode Control Bit</b><br>This bit is for SPI diagnostics. Setting this bit allows the BRG value to be read using the SPIBRH and SPIBRL Register locations.<br>0 = Reading SPIBRH, SPIBRL returns the value in the SPIBRH and SPIBRL registers<br>1 = Reading SPIBRH returns bits [15:8] of the SPI Baud Rate Generator; and reading SPIBRL returns bits [7:0] of the SPI Baud Rate Counter. The Baud Rate Counter High and Low byte values are not buffered.<br><br><b>Caution:</b> Be careful when reading these values while the BRG is counting, because the read may interfere with the operation of the BRG counter. |
| [4:2]<br>NUMBITS[2:0] | <b>Number of Data Bits Per Character to Transfer</b><br>This field contains the number of bits to shift for each character transfer. See the <a href="#">SPI Data Register</a> section on page 109 for information about valid bit positions when the character length is less than 8 bits.<br>000 = 8 bits.<br>001 = 1 bit.<br>010 = 2 bits.<br>011 = 3 bits.<br>100 = 4 bits.<br>101 = 5 bits.<br>110 = 6 bits.<br>111 = 7 bits.   |

| Bit         | Description (Continued)   |
|-------------|---|
| [1]<br>SSIO | <b>Slave Select I/O</b><br>0 = $\overline{SS}$ pin configured as an input.<br>1 = $\overline{SS}$ pin configured as an output (MASTER Mode only).   |
| [0]<br>SSV  | <b>Slave Select Value</b><br>If SSIO = 1 and SPI is configured as a Master:<br>0 = $\overline{SS}$ pin driven Low (0).<br>1 = $\overline{SS}$ pin driven High (1).<br>This bit has no effect if SSIO = 0 or SPI is configured as a Slave. |

## SPI Diagnostic State Register

The SPI Diagnostic State Register, shown in Table 68, provides observability of internal state. This register is a read-only register that is used for SPI diagnostics.

**Table 68. SPI Diagnostic State Register (SPIDST)**

| Bit            | 7     | 6     | 5        | 4 | 3 | 2 | 1 | 0 |
|----------------|-------|-------|----------|---|---|---|---|---|
| <b>Field</b>   | SCKEN | TCKEN | SPISTATE |   |   |   |   |   |
| <b>RESET</b>   | 0     |       |          |   |   |   |   |   |
| <b>R/W</b>     | R     |       |          |   |   |   |   |   |
| <b>Address</b> | F64H  |       |          |   |   |   |   |   |

| Bit               | Description   |
|-------------------|---|
| [7]<br>SCKEN      | <b>Shift Clock Enable</b><br>0 = The internal Shift Clock Enable signal is deasserted.<br>1 = The internal Shift Clock Enable signal is asserted (shift register is updated upon the next system clock).  |
| [6]<br>TCKEN      | <b>Transmit Clock Enable</b><br>0 = The internal Transmit Clock Enable signal is deasserted.<br>1 = The internal Transmit Clock Enable signal is asserted. When this signal is asserted, the serial data output is updated upon the next system clock (MOSI or MISO). |
| [5:0]<br>SPISTATE | <b>SPI State Machine</b><br>Defines the current state of the internal SPI State Machine.  |

## SPI Baud Rate High and Low Byte Registers

The SPI Baud Rate High and Low Byte registers, shown in Tables 69 and 70, combine to form a 16-bit reload value, BRG[15:0], for the SPI Baud Rate Generator. When configured as a general purpose timer, the interrupt interval is calculated using the following equation:

$$\text{Interrupt Interval (s)} = \text{System Clock Period (s)} \times \text{BRG}[15:0]$$

**Table 69. SPI Baud Rate High Byte Register (SPIBRH)**

| Bit     | 7    | 6 | 5 | 4 | 3 | 2 | 1 | 0 |
|---------|------|---|---|---|---|---|---|---|
| Field   | BRH  |   |   |   |   |   |   |   |
| RESET   | 1    |   |   |   |   |   |   |   |
| R/W     | R/W  |   |   |   |   |   |   |   |
| Address | F66H |   |   |   |   |   |   |   |

| Bit   | Description  |
|-------|--|
| [7:0] | <b>SPI Baud Rate High Byte</b>   |
| BRH   | Most significant byte, BRG[15:8], of the SPI Baud Rate Generator's reload value. |

**Table 70. SPI Baud Rate Low Byte Register (SPIBRL)**

| Bit     | 7    | 6 | 5 | 4 | 3 | 2 | 1 | 0 |
|---------|------|---|---|---|---|---|---|---|
| Field   | BRL  |   |   |   |   |   |   |   |
| RESET   | 1    |   |   |   |   |   |   |   |
| R/W     | R/W  |   |   |   |   |   |   |   |
| Address | F67H |   |   |   |   |   |   |   |

| Bit   | Description  |
|-------|--|
| [7:0] | <b>SPI Baud Rate Low Byte</b>  |
| BRL   | Least significant byte, BRG[7:0], of the SPI Baud Rate Generator's reload value. |

## *I<sup>2</sup>C Controller*

The I<sup>2</sup>C Controller makes the F0822 Series products bus-compatible with the I<sup>2</sup>C protocol. The I<sup>2</sup>C Controller consists of two bidirectional bus lines: a serial data signal (SDA) and a serial clock signal (SCL). Features of the I<sup>2</sup>C Controller include:

- Transmit and Receive Operation in MASTER Mode
- Maximum data rate of 400 kbit/s
- 7-bit and 10-bit addressing modes for Slaves
- Unrestricted number of data bytes transmitted per transfer

The I<sup>2</sup>C Controller in the F0822 Series products does not operate in SLAVE Mode.

### **Architecture**

Figure 25 displays the architecture of the I<sup>2</sup>C Controller.

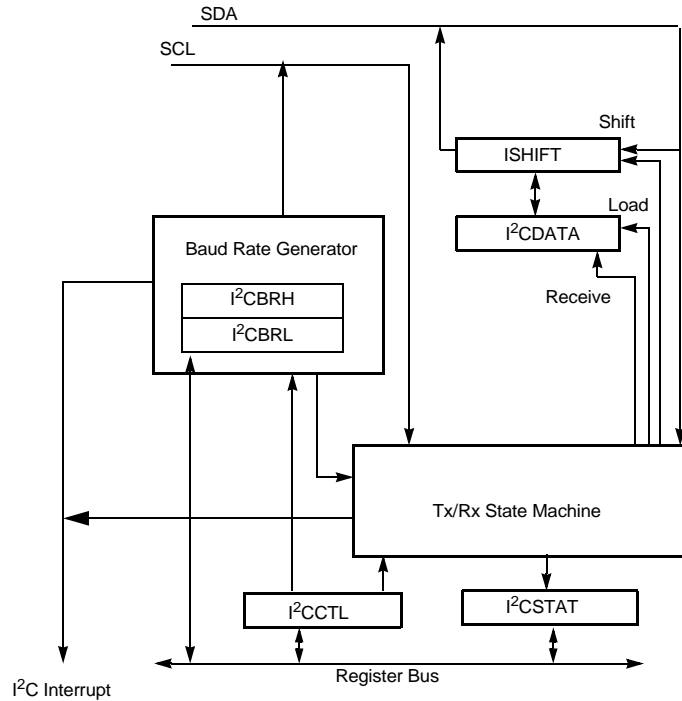


Figure 25. I<sup>2</sup>C Controller Block Diagram

## Operation

The I<sup>2</sup>C Controller operates in MASTER Mode to transmit and receive data. Only a single master is supported. Arbitration between two masters must be accomplished in software. I<sup>2</sup>C supports the following operations:

- Master transmits to a 7-bit slave
- Master transmits to a 10-bit slave
- Master receives from a 7-bit slave
- Master receives from a 10-bit slave

## SDA and SCL Signals

I<sup>2</sup>C sends all addresses, data and acknowledge signals over the SDA line, most-significant bit first. SCL is the common clock for the I<sup>2</sup>C Controller. When the SDA and SCL pin alternate functions are selected for their respective GPIO ports, the pins are automatically configured for open-drain operation.

The master (I<sup>2</sup>C) is responsible for driving the SCL clock signal, although the clock signal becomes skewed by a slow slave device. During the Low period of the clock, the slave pulls the SCL signal Low to suspend the transaction. The master releases the clock at the end of the Low period and notices that the clock remains Low instead of returning to a High level. When the slave releases the clock, the I<sup>2</sup>C Controller continues the transaction. All data is transferred in bytes and there is no limit to the amount of data transferred in one operation. When transmitting data or acknowledging read data from the slave, the SDA signal changes in the middle of the Low period of SCL and is sampled in the middle of the High period of SCL.

## I<sup>2</sup>C Interrupts

The I<sup>2</sup>C Controller contains four sources of interrupts: Transmit, Receive, Not Acknowledge and Baud Rate Generator. These four interrupt sources are combined into a single interrupt request signal to the interrupt controller. The transmit interrupt is enabled by the IEN and TXI bits of the control register. The Receive and Not Acknowledge interrupts are enabled by the IEN bit of the control register. BRG interrupt is enabled by the BIRQ and IEN bits of the control register.

Not Acknowledge interrupts occur when a Not Acknowledge condition is received from the slave or sent by the I<sup>2</sup>C Controller and neither the start or stop bit is set. The Not Acknowledge event sets the NCKI bit of the I<sup>2</sup>C Status Register and can only be cleared by setting the start or stop bit in the I<sup>2</sup>C Control Register. When this interrupt occurs, the I<sup>2</sup>C Controller waits until either the stop or start bit is set before performing any action. In an ISR, the NCKI bit should always be checked prior to servicing transmit or receive interrupt conditions because it indicates the transaction is being terminated.

Receive interrupts occur when a byte of data has been received by the I<sup>2</sup>C Controller (Master reading data from Slave). This procedure sets the RDRF bit of the I<sup>2</sup>C Status Register. The RDRF bit is cleared by reading the I<sup>2</sup>C Data Register. The RDRF bit is set during the acknowledge phase. The I<sup>2</sup>C Controller pauses after the acknowledge phase until the receive interrupt is cleared before performing any other action.

Transmit interrupts occur when the TDRE bit of the I<sup>2</sup>C Status Register sets and the TXI bit in the I<sup>2</sup>C Control Register is set. Transmit interrupts occur under the following conditions when the Transmit Data Register is empty:

- The I<sup>2</sup>C Controller is enabled

- The first bit of the byte of an address is shifting out and the RD bit of the I<sup>2</sup>C Status Register is deasserted
- The first bit of a 10-bit address shifts out
- The first bit of write data shifts out

---

► **Note:** Writing to the I<sup>2</sup>C Data Register always clears the TRDE bit to 0. When TDRE is asserted, the I<sup>2</sup>C Controller pauses at the beginning of the Acknowledge cycle of the byte currently shifting out until the data register is written with the next value to send or the stop or start bits are set indicating the current byte is the last one to send.

---

The fourth interrupt source is the BRG. If the I<sup>2</sup>C Controller is disabled (IEN bit in the I2CCTL Register = 0) and the BIRQ bit in the I2CCTL Register = 1, an interrupt is generated when the BRG counts down to 1. This allows the I<sup>2</sup>C Baud Rate Generator to be used by software as a general purpose timer when IEN = 0.

## Software Control of I<sup>2</sup>C Transactions


Software controls I<sup>2</sup>C transactions by using the I<sup>2</sup>C Controller interrupt, by polling the I<sup>2</sup>C Status Register or by DMA. Note that not all products include a DMA Controller.

To use interrupts, the I<sup>2</sup>C interrupt must be enabled in the Interrupt Controller. The TXI bit in the I<sup>2</sup>C Control Register must be set to enable transmit interrupts.

To control transactions by polling, the interrupt bits (TDRE, RDRF and NCKI) in the I<sup>2</sup>C Status Register should be polled. The TDRE bit asserts regardless of the state of the TXI bit.

Either or both transmit and receive data movement can be controlled by the DMA Controller. The DMA Controller channel(s) must be initialized to select the I<sup>2</sup>C transmit and receive requests. Transmit DMA requests require that the TXI bit in the I<sup>2</sup>C Control Register be set.

---

 **Caution:** A transmit (write) DMA operation hangs if the slave responds with a Not Acknowledge before the last byte has been sent. After receiving the Not Acknowledge, the I<sup>2</sup>C Controller sets the NCKI bit in the Status Register and pauses until either the stop or start bits in the Control Register are set.

For a receive (read) DMA transaction to send a Not Acknowledge on the last byte, the receive DMA must be set up to receive  $n-1$  bytes, then software must set the NAK bit and receive the last (nth) byte directly.

---

## Start and Stop Conditions

The Master (I<sup>2</sup>C) drives all Start and Stop signals and initiates all transactions. To start a transaction, the I<sup>2</sup>C Controller generates a start condition by pulling the SDA signal Low while SCL is High. To complete a transaction, the I<sup>2</sup>C Controller generates a Stop condition by creating a Low-to-High transition of the SDA signal while the SCL signal is High. The start and stop bits in the I<sup>2</sup>C Control Register control the sending of start and stop conditions. A Master is also allowed to end one transaction and begin a new one by issuing a restart. This restart issuance is accomplished by setting the start bit at the end of a transaction rather than setting the stop bit.

---


► **Note:** The start condition is not sent until the start bit is set and data has been written to the I<sup>2</sup>C Data Register.

---

## Master Write and Read Transactions

The following sections provide Zilog's recommended procedure for performing I<sup>2</sup>C write and read transactions from the I<sup>2</sup>C Controller (Master) to slave I<sup>2</sup>C devices. In general, software should rely on the TDRE, RDRF and NCKI bits of the status register (these bits generate interrupts) to initiate software actions. When using interrupts or DMA, the TXI bit is set to start each transaction and cleared at the end of each transaction to eliminate a *trailing* transmit interrupt.

---

 **Caution:** Caution should be used in using the ACK status bit within a transaction because it is difficult for software to tell when it is updated by hardware.

---

When writing data to a slave, the I<sup>2</sup>C pauses at the beginning of the Acknowledge cycle if the data register has not been written with the next value to be sent (TDRE bit in the I<sup>2</sup>C Status Register equal to 1). In this scenario where software is not keeping up with the I<sup>2</sup>C bus (TDRE asserted longer than one byte time), the Acknowledge clock cycle for byte  $n$  is delayed until the data register is written with byte  $n+1$ , and appears to be grouped with the data clock cycles for byte  $n+1$ . If either the start or stop bit is set, the I<sup>2</sup>C does not pause prior to the Acknowledge cycle because no additional data is sent.

When a Not Acknowledge condition is received during a write (either during the address or data phases), the I<sup>2</sup>C Controller generates the Not Acknowledge interrupt (NCKI = 1) and pause until either the stop or start bit is set. Unless the Not Acknowledge was received on the last byte, the data register will already have been written with the next address or data byte to send. In this case the FLUSH bit of the control register should be set at the same time the stop or start bit is set to remove the stale transmit data and enable subsequent transmit interrupts.

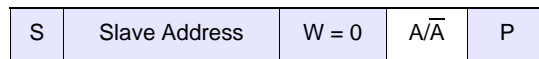
When reading data from the slave, the I<sup>2</sup>C pauses after the data Acknowledge cycle until the receive interrupt is serviced and the RDRF bit of the status register is cleared by reading the I<sup>2</sup>C Data Register. After the I<sup>2</sup>C Data Register has been read, the I<sup>2</sup>C reads the next data byte.

### Address Only Transaction with a 7-Bit Address

In situations in which software determines whether a slave with a 7-bit address is responding without sending or receiving data, a transaction can be performed that only consists of an address phase. Figure 26 displays this *address only* transaction to determine if a slave with a 7-bit address will acknowledge.

As an example, this transaction can be used after a write has been executed to an EEPROM to determine when the EEPROM completes its internal write operation and is again responding to I<sup>2</sup>C transactions. If the slave does not acknowledge, the transaction is repeated until the slave does acknowledge.

Figure 26 illustrates the format of a 7-bit address-only transaction.



**Figure 26. 7-Bit Address Only Transaction Format**

Observe the following procedure for an address-only transaction to a 7-bit addressed slave:

1. Software asserts the IEN bit in the I<sup>2</sup>C Control Register.
2. Software asserts the TXI bit of the I<sup>2</sup>C Control Register to enable Transmit interrupts.
3. The I<sup>2</sup>C interrupt asserts, because the I<sup>2</sup>C Data Register is empty (TDRE = 1).
4. Software responds to the TDRE bit by writing a 7-bit Slave address plus write bit (=0) to the I<sup>2</sup>C Data Register. As an alternative this could be a read operation instead of a write operation.
5. Software sets the start and stop bits of the I<sup>2</sup>C Control Register and clears the TXI bit.
6. The I<sup>2</sup>C Controller sends the start condition to the I<sup>2</sup>C Slave.
7. The I<sup>2</sup>C Controller loads the I<sup>2</sup>C Shift Register with the contents of the I<sup>2</sup>C Data Register.
8. Software polls the stop bit of the I<sup>2</sup>C Control Register. Hardware deasserts the stop bit when the address only transaction is completed.
9. Software checks the ACK bit of the I<sup>2</sup>C Status Register. If the slave acknowledged, the ACK bit is equal to 1. If the slave does not acknowledge, the ACK bit is equal to 0.

The NCKI interrupt does not occur in the not acknowledge case because the stop bit was set.

## Write Transaction with a 7-Bit Address

Figure 27 displays the data transfer format for a 7-bit addressed slave. Shaded regions indicate data transferred from the I<sup>2</sup>C Controller to slaves and unshaded regions indicate data transferred from the slaves to the I<sup>2</sup>C Controller.

|   |               |       |   |      |   |      |   |      |     |     |
|---|---------------|-------|---|------|---|------|---|------|-----|-----|
| S | Slave Address | W = 0 | A | Data | A | Data | A | Data | A/A | P/S |
|---|---------------|-------|---|------|---|------|---|------|-----|-----|

**Figure 27. 7-Bit Addressed Slave Data Transfer Format**

Observe the following procedure for a transmit operation to a 7-bit addressed slave:

1. Software asserts the IEN bit in the I<sup>2</sup>C Control Register.
2. Software asserts the TXI bit of the I<sup>2</sup>C Control Register to enable transmit interrupts.
3. The I<sup>2</sup>C interrupt asserts, because the I<sup>2</sup>C Data Register is empty.
4. Software responds to the TDRE bit by writing a 7-bit Slave address plus write bit (=0) to the I<sup>2</sup>C Data Register.
5. Software asserts the start bit of the I<sup>2</sup>C Control Register.
6. The I<sup>2</sup>C Controller sends the start condition to the I<sup>2</sup>C Slave.
7. The I<sup>2</sup>C Controller loads the I<sup>2</sup>C Shift Register with the contents of the I<sup>2</sup>C Data Register.
8. After one bit of address has been shifted out by the SDA signal, the transmit interrupt is asserted (TDRE = 1).
9. Software responds by writing the transmit data into the I<sup>2</sup>C Data Register.
10. The I<sup>2</sup>C Controller shifts the rest of the address and write bit out by the SDA signal.
11. If the I<sup>2</sup>C Slave sends an acknowledge (by pulling the SDA signal Low) during the next High period of SCL the I<sup>2</sup>C Controller sets the ACK bit in the I<sup>2</sup>C Status Register. Continue to [Step 12](#).

If the slave does not acknowledge, the Not Acknowledge interrupt occurs (NCKI bit is set in the Status Register, ACK bit is cleared). Software responds to the Not Acknowledge interrupt by setting the stop and flush bits and clearing the TXI bit. The I<sup>2</sup>C Controller sends the stop condition on the bus and clears the stop and NCKI bits. The transaction is complete; ignore the remaining steps in this sequence.

12. The I<sup>2</sup>C Controller loads the contents of the I<sup>2</sup>C Shift Register with the contents of the I<sup>2</sup>C Data Register.
13. The I<sup>2</sup>C Controller shifts the data out of using the SDA signal. After the first bit is sent, the transmit interrupt is asserted.
14. If more bytes remain to be sent, return to [Step 9](#).
15. Software responds by setting the stop bit of the I<sup>2</sup>C Control Register (or start bit to initiate a new transaction). In the STOP case, software clears the TXI bit of the I<sup>2</sup>C Control Register at the same time.
16. The I<sup>2</sup>C Controller completes transmission of the data on the SDA signal.
17. The slave can either Acknowledge or Not Acknowledge the last byte. Because either the stop or start bit is already set, the NCKI interrupt does not occur.
18. The I<sup>2</sup>C Controller sends the stop (or restart) condition to the I<sup>2</sup>C bus. The stop or start bit is cleared.

### Address-Only Transaction with a 10-Bit Address

In situations in which software must determine if a slave with a 10-bit address is responding without sending or receiving data, a transaction is performed which only consists of an address phase. Figure 28 displays this *address only* transaction to determine if a slave with a 10-bit address will acknowledge.

As an example, this transaction is used after a write has been executed to an EEPROM to determine when the EEPROM completes its internal write operation and is again responding to I<sup>2</sup>C transactions. If the slave does not acknowledge, the transaction is repeated until the slave is able to acknowledge.

|   |                                 |       |     |                           |     |
|---|---------------------------------|-------|-----|---------------------------|-----|
| S | Slave Address<br>1st Seven Bits | W = 0 | A/A | Slave Address<br>2nd Byte | A/A |
|---|---------------------------------|-------|-----|---------------------------|-----|

**Figure 28. 10-Bit Address Only Transaction Format**

Observe the following procedure for an address-only transaction to a 10-bit addressed slave:

1. Software asserts the IEN bit in the I<sup>2</sup>C Control Register.
2. Software asserts the TXI bit of the I<sup>2</sup>C Control Register to enable transmit interrupts.
3. The I<sup>2</sup>C interrupt asserts, because the I<sup>2</sup>C Data Register is empty (TDRE = 1).
4. Software responds to the TDRE interrupt by writing the first slave address byte. The least-significant bit must be 0 for the write operation.
5. Software asserts the start bit of the I<sup>2</sup>C Control Register.

6. The I<sup>2</sup>C Controller sends the start condition to the I<sup>2</sup>C Slave.
7. The I<sup>2</sup>C Controller loads the I<sup>2</sup>C Shift Register with the contents of the I<sup>2</sup>C Data Register.
8. After one bit of an address is shifted out by the SDA signal, the transmit interrupt is asserted.
9. Software responds by writing the second byte of the address into the contents of the I<sup>2</sup>C Data Register.
10. The I<sup>2</sup>C Controller shifts the rest of the first byte of address and write bit out the SDA signal.
11. If the I<sup>2</sup>C Slave sends an acknowledge by pulling the SDA signal Low during the next High period of SCL and the I<sup>2</sup>C Controller sets the ACK bit in the I<sup>2</sup>C Status Register, continue to [Step 12](#).

If the slave does not acknowledge the first address byte, the I<sup>2</sup>C Controller sets the NCKI bit and clears the ACK bit in the I<sup>2</sup>C Status Register. Software responds to the Not Acknowledge interrupt by setting the stop and flush bits and clearing the TXI bit. The I<sup>2</sup>C Controller sends the stop condition on the bus and clears the stop and NCKI bits. The transaction is complete; ignore the remaining steps in this sequence.

12. The I<sup>2</sup>C Controller loads the I<sup>2</sup>C Shift Register with the contents of the I<sup>2</sup>C Data Register (2nd byte of address).
13. The I<sup>2</sup>C Controller shifts the second address byte out the SDA signal. After the first bit has been sent, the transmit interrupt is asserted.
14. Software responds by setting the stop bit in the I<sup>2</sup>C Control Register. The TXI bit can be cleared at the same time.
15. Software polls the stop bit of the I<sup>2</sup>C Control Register. Hardware deasserts the stop bit when the transaction is completed (stop condition has been sent).
16. Software checks the ACK bit of the I<sup>2</sup>C Status Register. If the slave acknowledged, the ACK bit is equal to 1. If the slave does not acknowledge, the ACK bit is equal to 0. The NCKI interrupt do not occur because the stop bit was set.

## Write Transaction with a 10-Bit Address

Figure 29 displays the data transfer format for a 10-bit addressed slave. Shaded regions indicate data transferred from the I<sup>2</sup>C Controller to slaves and unshaded regions indicate data transferred from the slaves to the I<sup>2</sup>C Controller.

|   |                                 |       |   |                           |   |      |   |      |     |     |
|---|---------------------------------|-------|---|---------------------------|---|------|---|------|-----|-----|
| S | Slave Address<br>1st Seven Bits | W = 0 | A | Slave Address<br>2nd Byte | A | Data | A | Data | A/A | P/S |
|---|---------------------------------|-------|---|---------------------------|---|------|---|------|-----|-----|

Figure 29. 10-Bit Addressed Slave Data Transfer Format

The first seven bits transmitted in the first byte are 11110xx. The two xx bits are the two most-significant bits of the 10-bit address. The lowest bit of the first byte transferred is the read/write control bit (=0). The transmit operation is carried out in the same manner as 7-bit addressing.

Observe the following procedure for a transmit operation on a 10-bit addressed slave:

1. Software asserts the IEN bit in the I<sup>2</sup>C Control Register.
2. Software asserts the TXI bit of the I<sup>2</sup>C Control Register to enable transmit interrupts.
3. The I<sup>2</sup>C interrupt asserts because the I<sup>2</sup>C Data Register is empty.
4. Software responds to the TDRE interrupt by writing the first slave address byte to the I<sup>2</sup>C Data Register. The least-significant bit must be 0 for the write operation.
5. Software asserts the start bit of the I<sup>2</sup>C Control Register.
6. The I<sup>2</sup>C Controller sends the start condition to the I<sup>2</sup>C Slave.
7. The I<sup>2</sup>C Controller loads the I<sup>2</sup>C Shift Register with the contents of the I<sup>2</sup>C Data Register.
8. After one bit of address is shifted out by the SDA signal, the transmit interrupt is asserted.
9. Software responds by writing the second byte of address into the contents of the I<sup>2</sup>C Data Register.
10. The I<sup>2</sup>C Controller shifts the rest of the first byte of address and write bit out the SDA signal.
11. If the I<sup>2</sup>C Slave acknowledges the first address byte by pulling the SDA signal Low during the next High period of SCL, the I<sup>2</sup>C Controller sets the ACK bit in the I<sup>2</sup>C Status Register. Continue to [Step 12](#).

If the slave does not acknowledge the first address byte, the I<sup>2</sup>C Controller sets the NCKI bit and clears the ACK bit in the I<sup>2</sup>C Status Register. Software responds to the Not Acknowledge interrupt by setting the stop and flush bits and clearing the TXI bit. The I<sup>2</sup>C Controller sends the stop condition on the bus and clears the stop and NCKI bits. The transaction is complete; ignore the remainder of this sequence.

12. The I<sup>2</sup>C Controller loads the I<sup>2</sup>C Shift Register with the contents of the I<sup>2</sup>C Data Register.
13. The I<sup>2</sup>C Controller shifts the second address byte out the SDA signal. After the first bit has been sent, the transmit interrupt is asserted.
14. Software responds by writing a data byte to the I<sup>2</sup>C Data Register.
15. The I<sup>2</sup>C Controller completes shifting the contents of the shift register on the SDA signal.

16. If the I<sup>2</sup>C Slave sends an acknowledge by pulling the SDA signal Low during the next High period of SCL, the I<sup>2</sup>C Controller sets the ACK bit in the I<sup>2</sup>C Status Register. Continue to [Step 17](#).

If the slave does not acknowledge the second address byte or one of the data bytes, the I<sup>2</sup>C Controller sets the NCKI bit and clears the ACK bit in the I<sup>2</sup>C Status Register. Software responds to the Not Acknowledge interrupt by setting the stop and flush bits and clearing the TXI bit. The I<sup>2</sup>C Controller sends the stop condition on the bus and clears the stop and NCKI bits. The transaction is complete; ignore the remainder of this sequence.

17. The I<sup>2</sup>C Controller shifts the data out by the SDA signal. After the first bit is sent, the transmit interrupt is asserted.
18. If more bytes remain to be sent, return to [Step 14](#).
19. If the last byte is currently being sent, software sets the stop bit of the I<sup>2</sup>C Control Register (or start bit to initiate a new transaction). In the stop case, software simultaneously clears the TXI bit of the I<sup>2</sup>C Control Register.
20. The I<sup>2</sup>C Controller completes transmission of the last data byte on the SDA signal.
21. The slave can either Acknowledge or Not Acknowledge the last byte. Because either the stop or start bit is already set, the NCKI interrupt does not occur.
22. The I<sup>2</sup>C Controller sends the stop (or restart) condition to the I<sup>2</sup>C bus and clears the stop (or start) bit.

## Read Transaction with a 7-Bit Address

Figure 30 displays the data transfer format for a read operation to a 7-bit addressed slave. The shaded regions indicate data transferred from the I<sup>2</sup>C Controller to slaves and unshaded regions indicate data transferred from the slaves to the I<sup>2</sup>C Controller.

|   |               |       |   |      |   |      |   |     |
|---|---------------|-------|---|------|---|------|---|-----|
| S | Slave Address | R = 1 | A | Data | A | Data | A | P/S |
|---|---------------|-------|---|------|---|------|---|-----|

**Figure 30. Receive Data Transfer Format for a 7-Bit Addressed Slave**

Observe the following procedure for a read operation to a 7-bit addressed slave:

1. Software writes the I<sup>2</sup>C Data Register with a 7-bit Slave address plus the read bit (=1).
2. Software asserts the start bit of the I<sup>2</sup>C Control Register.
3. If this transfer is a single byte transfer, Software asserts the NAK bit of the I<sup>2</sup>C Control Register so that after the first byte of data has been read by the I<sup>2</sup>C Controller, a Not Acknowledge is sent to the I<sup>2</sup>C Slave.
4. The I<sup>2</sup>C Controller sends the start condition.

5. The I<sup>2</sup>C Controller shifts the address and read bit out the SDA signal.
6. If the I<sup>2</sup>C Slave acknowledges the address by pulling the SDA signal Low during the next High period of SCL, the I<sup>2</sup>C Controller sets the ACK bit in the I<sup>2</sup>C Status Register. Continue to [Step 7](#).

If the slave does not acknowledge, the Not Acknowledge interrupt occurs (NCKI bit is set in the Status Register, ACK bit is cleared). Software responds to the Not Acknowledge interrupt by setting the stop bit and clearing the TXI bit. The I<sup>2</sup>C Controller sends the stop condition on the bus and clears the stop and NCKI bits. The transaction is complete; ignore the remainder of this sequence.

7. The I<sup>2</sup>C Controller shifts in the byte of data from the I<sup>2</sup>C Slave on the SDA signal. The I<sup>2</sup>C Controller sends a Not Acknowledge to the I<sup>2</sup>C Slave if the NAK bit is set (last byte), else it sends an Acknowledge.
8. The I<sup>2</sup>C Controller asserts the Receive interrupt (RDRF bit set in the Status Register).
9. Software responds by reading the I<sup>2</sup>C Data Register which clears the RDRF bit. If there is only one more byte to receive, set the NAK bit of the I<sup>2</sup>C Control Register.
10. If there are more bytes to transfer, return to [Step 7](#).
11. After the last byte is shifted in, a Not Acknowledge interrupt is generated by the I<sup>2</sup>C Controller.
12. Software responds by setting the stop bit of the I<sup>2</sup>C Control Register.
13. A stop condition is sent to the I<sup>2</sup>C Slave, the stop and NCKI bits are cleared.

## Read Transaction with a 10-Bit Address

Figure 31 displays the read transaction format for a 10-bit addressed slave. The shaded regions indicate data transferred from the I<sup>2</sup>C Controller to slaves and unshaded regions indicate data transferred from the slaves to the I<sup>2</sup>C Controller.

|   |                             |     |   |                           |   |   |                             |     |   |      |   |      |   |   |
|---|-----------------------------|-----|---|---------------------------|---|---|-----------------------------|-----|---|------|---|------|---|---|
| S | Slave Address<br>1st 7 bits | W=0 | A | Slave Address<br>2nd Byte | A | S | Slave Address<br>1st 7 bits | R=1 | A | Data | A | Data | A | P |
|---|-----------------------------|-----|---|---------------------------|---|---|-----------------------------|-----|---|------|---|------|---|---|

**Figure 31. Receive Data Format for a 10-Bit Addressed Slave**

The first seven bits transmitted in the first byte are 11110XX. The two XX bits are the two most significant bits of the 10-bit address. The lowest bit of the first byte transferred is the write control bit.

Observe the following procedure for the data transfer procedure for a read operation to a 10-bit addressed slave:

1. Software writes 11110B followed by the two address bits and a 0 (write) to the I<sup>2</sup>C Data Register.
2. Software asserts the start and TXI bits of the I<sup>2</sup>C Control Register.
3. The I<sup>2</sup>C Controller sends the start condition.
4. The I<sup>2</sup>C Controller loads the I<sup>2</sup>C Shift Register with the contents of the I<sup>2</sup>C Data Register.
5. After the first bit has been shifted out, a transmit interrupt is asserted.
6. Software responds by writing the lower eight bits of address to the I<sup>2</sup>C Data Register.
7. The I<sup>2</sup>C Controller completes shifting of the two address bits and a 0 (write).
8. If the I<sup>2</sup>C Slave acknowledges the first address byte by pulling the SDA signal Low during the next High period of SCL, the I<sup>2</sup>C Controller sets the ACK bit in the I<sup>2</sup>C Status Register. Continue to [Step 9](#).

If the slave does not acknowledge the first address byte, the I<sup>2</sup>C Controller sets the NCKI bit and clears the ACK bit in the I<sup>2</sup>C Status Register. Software responds to the Not Acknowledge interrupt by setting the stop and flush bits and clearing the TXI bit. The I<sup>2</sup>C Controller sends the stop condition on the bus and clears the stop and NCKI bits. The transaction is complete (ignore following steps).

9. The I<sup>2</sup>C Controller loads the I<sup>2</sup>C Shift Register with the contents of the I<sup>2</sup>C Data Register (second address byte).
10. The I<sup>2</sup>C Controller shifts out the second address byte. After the first bit is shifted, the I<sup>2</sup>C Controller generates a transmit interrupt.
11. Software responds by setting the start bit of the I<sup>2</sup>C Control Register to generate a repeated start and by clearing the TXI bit.
12. Software responds by writing 11110B followed by the 2-bit Slave address and a 1 (read) to the I<sup>2</sup>C Data Register.
13. If only one byte is to be read, software sets the NAK bit of the I<sup>2</sup>C Control Register.
14. After the I<sup>2</sup>C Controller shifts out the 2nd address byte, the I<sup>2</sup>C Slave sends an acknowledge by pulling the SDA signal Low during the next High period of SCL, the I<sup>2</sup>C Controller sets the ACK bit in the I<sup>2</sup>C Status Register. Continue to [Step 15](#).

If the slave does not acknowledge the second address byte, the I<sup>2</sup>C Controller sets the NCKI bit and clears the ACK bit in the I<sup>2</sup>C Status Register. Software responds to the Not Acknowledge interrupt by setting the stop and flush bits and clearing the TXI bit. The I<sup>2</sup>C Controller sends the stop condition on the bus and clears the stop and NCKI bits. The transaction is complete; ignore the remainder of this sequence.

15. The I<sup>2</sup>C Controller sends the repeated start condition.

16. The I<sup>2</sup>C Controller loads the I<sup>2</sup>C Shift Register with the contents of the I<sup>2</sup>C Data Register (third address transfer).
17. The I<sup>2</sup>C Controller sends 11110B followed by the two most significant bits of the slave read address and a 1 (read).
18. The I<sup>2</sup>C Slave sends an acknowledge by pulling the SDA signal Low during the next High period of SCL.

If the slave were to Not Acknowledge at this point (this should not happen because the slave did acknowledge the first two address bytes), software would respond by setting the stop and flush bits and clearing the TXI bit. The I<sup>2</sup>C Controller sends the stop condition on the bus and clears the stop and NCKI bits. The transaction is complete; ignore the remainder of this sequence.

19. The I<sup>2</sup>C Controller shifts in a byte of data from the I<sup>2</sup>C Slave on the SDA signal. The I<sup>2</sup>C Controller sends a Not Acknowledge to the I<sup>2</sup>C Slave if the NAK bit is set (last byte), else it sends an Acknowledge.
20. The I<sup>2</sup>C Controller asserts the Receive interrupt (RDRF bit set in the Status Register).
21. Software responds by reading the I<sup>2</sup>C Data Register which clears the RDRF bit. If there is only one more byte to receive, set the NAK bit of the I<sup>2</sup>C Control Register.
22. If there are one or more bytes to transfer, return to [Step 19](#).
23. After the last byte is shifted in, a Not Acknowledge interrupt is generated by the I<sup>2</sup>C Controller.
24. Software responds by setting the stop bit of the I<sup>2</sup>C Control Register.
25. A stop condition is sent to the I<sup>2</sup>C Slave and the stop and NCKI bits are cleared.

## I<sup>2</sup>C Control Register Definitions

This section defines the features of the following I<sup>2</sup>C Control registers.

[I<sup>2</sup>C Data Register](#): see page 129

[I<sup>2</sup>C Status Register](#): see page 129

[I<sup>2</sup>C Control Register](#): see page 131

[I<sup>2</sup>C Baud Rate High and Low Byte Registers](#): see page 132

[I<sup>2</sup>C Diagnostic State Register](#): see page 133

[I<sup>2</sup>C Diagnostic Control Register](#): see page 135

## I<sup>2</sup>C Data Register

The I<sup>2</sup>C Data Register, shown in Table 71, holds the data that is to be loaded into the I<sup>2</sup>C Shift Register during a write to a slave. This register also holds data that is loaded from the I<sup>2</sup>C Shift Register during a read from a slave. The I<sup>2</sup>C Shift Register is not accessible in the Register File address space, but is used only to buffer incoming and outgoing data.

**Table 71. I<sup>2</sup>C Data Register (I2CDATA)**

| Bit     | 7    | 6 | 5 | 4 | 3 | 2 | 1 | 0 |
|---------|------|---|---|---|---|---|---|---|
| Field   | DATA |   |   |   |   |   |   |   |
| RESET   | 0    |   |   |   |   |   |   |   |
| R/W     | R/W  |   |   |   |   |   |   |   |
| Address | F50H |   |   |   |   |   |   |   |

## I<sup>2</sup>C Status Register

The read-only I<sup>2</sup>C Status Register, shown in Table 72, indicates the status of the I<sup>2</sup>C Controller.

**Table 72. I<sup>2</sup>C Status Register (I2CSTAT)**

| Bit     | 7    | 6    | 5   | 4   | 3  | 2   | 1   | 0    |
|---------|------|------|-----|-----|----|-----|-----|------|
| Field   | TDRE | RDRF | ACK | 10B | RD | TAS | DSS | NCKI |
| RESET   | 1    | 0    |     |     |    |     |     |      |
| R/W     | R    |      |     |     |    |     |     |      |
| Address | F51H |      |     |     |    |     |     |      |

| Bit         | Description  |
|-------------|--|
| [7]<br>TDRE | <b>Transmit Data Register Empty</b><br>When the I <sup>2</sup> C Controller is enabled, this bit is 1 when the I <sup>2</sup> C Data Register is empty. When this bit is set, an interrupt is generated if the TXI bit is set, except when the I <sup>2</sup> C Controller is shifting in data during the reception of a byte or when shifting an address and the RD bit is set. This bit is cleared by writing to the I2CDATA Register. |
| [6]<br>RDRF | <b>Receive Data Register Full</b><br>This bit is set = 1 when the I <sup>2</sup> C Controller is enabled and the I <sup>2</sup> C Controller has received a byte of data. When asserted, this bit causes the I <sup>2</sup> C Controller to generate an interrupt. This bit is cleared by reading the I <sup>2</sup> C Data Register (unless the read is performed using execution of the OCD's Read Register command).                  |

| Bit         | Description (Continued)  |
|-------------|--|
| [5]<br>ACK  | <p><b>Acknowledge</b><br/>This bit indicates the status of the Acknowledge for the last byte transmitted or received. When set, this bit indicates that an Acknowledge occurred for the last byte transmitted or received. This bit is cleared when IEN = 0 or when a Not Acknowledge occurred for the last byte transmitted or received. It is not reset at the beginning of each transaction and is not reset when this register is read.</p> <p><b>Caution:</b> When making decisions based on this bit within a transaction, software cannot determine when the bit is updated by hardware. In the case of write transactions, the I<sup>2</sup>C pauses at the beginning of the Acknowledge cycle if the next transmit data or address byte has not been written (TDRE = 1) and STOP and start = 0. In this case the ACK bit is not updated until the transmit interrupt is serviced and the Acknowledge cycle for the previous byte completes. For examples on usage of the ACK bit, see the <a href="#">Address Only Transaction with a 7-Bit Address</a> section on page 120 and the <a href="#">Address-Only Transaction with a 10-Bit Address</a> section on page 122.</p> |
| [4]<br>10B  | <p><b>10-Bit Address</b><br/>This bit indicates whether a 10-bit or 7-bit address is being transmitted. After the start bit is set, if the five most-significant bits of the address are 11110B, this bit is set. When set, it is reset after the first byte of the address has been sent.</p>   |
| [3]<br>RD   | <p><b>Read</b><br/>This bit indicates the direction of transfer of the data. It is active High during a read. The status of this bit is determined by the least-significant bit of the I<sup>2</sup>C Shift Register after the start bit is set.</p>   |
| [2]<br>TAS  | <p><b>Transmit Address State</b><br/>This bit is active High while the address is being shifted out of the I<sup>2</sup>C Shift Register.</p>  |
| [1]<br>DSS  | <p><b>Data Shift State</b><br/>This bit is active High while data is being shifted to or from the I<sup>2</sup>C Shift Register.</p>   |
| [0]<br>NCKI | <p><b>NACK Interrupt</b><br/>This bit is set High when a Not Acknowledge condition is received or sent and neither the start nor the stop bit is active. When set, this bit generates an interrupt that can only be cleared by setting the start or stop bit, allowing you to specify whether you want to perform a stop or a repeated start.</p>  |

## I<sup>2</sup>C Control Register

The I<sup>2</sup>C Control Register, shown in Table 73, enables I<sup>2</sup>C operation.

**Table 73. I<sup>2</sup>C Control Register (I2CCTL)**

| Bit     | 7    | 6     | 5    | 4    | 3   | 2   | 1     | 0      |
|---------|------|-------|------|------|-----|-----|-------|--------|
| Field   | IEN  | START | STOP | BIRQ | TXI | NAK | FLUSH | FILTEN |
| RESET   | 0    |       |      |      |     |     |       |        |
| R/W     | R/W  | R/W   | R/W  | R/W  | R/W | R/W | W     | R/W    |
| Address | F52H |       |      |      |     |     |       |        |

| Bit          | Description  |
|--------------|--|
| [7]<br>IEN   | <b>I<sup>2</sup>C Enable</b><br>1 = The I <sup>2</sup> C transmitter and receiver are enabled.<br>0 = The I <sup>2</sup> C transmitter and receiver are disabled.  |
| [6]<br>START | <b>Send Start Condition</b><br>This bit sends the start condition. After it is asserted, it is cleared by the I <sup>2</sup> C Controller after it sends the START condition or if the IEN bit is deasserted. If this bit is 1, it cannot be cleared to 0 by writing to the register. After this bit is set, the Start condition is sent if there is data in the I <sup>2</sup> C Data or I <sup>2</sup> C Shift Register. If there is no data in one of these registers, the I <sup>2</sup> C Controller waits until the data register is written. If this bit is set while the I <sup>2</sup> C Controller is shifting out data, it generates a start condition after the byte shifts and the acknowledge phase completes. If the stop bit is also set, it also waits until the stop condition is sent before sending the start condition. |
| [5]<br>STOP  | <b>Send Stop Condition</b><br>This bit causes the I <sup>2</sup> C Controller to issue a stop condition after the byte in the I <sup>2</sup> C Shift Register has completed transmission or after a byte is received in a receive operation. After it is set, this bit is reset by the I <sup>2</sup> C Controller after a stop condition is sent or by deasserting the IEN bit. If this bit is 1, it cannot be cleared to 0 by writing to the register.   |
| [4]<br>BIRQ  | <b>Baud Rate Generator Interrupt Request</b><br>This bit allows the I <sup>2</sup> C Controller to be used as an additional timer when the I <sup>2</sup> C Controller is disabled. This bit is ignored when the I <sup>2</sup> C Controller is enabled.<br>1 = An interrupt occurs every time the BRG counts down to 1.<br>0 = No BRG interrupt occurs.   |
| [3]<br>TXI   | <b>Enable TDRE interrupts</b><br>This bit enables the transmit interrupt when the I <sup>2</sup> C Data Register is empty (TDRE = 1).<br>1 = transmit interrupt (and DMA transmit request) is enabled.<br>0 = transmit interrupt (and DMA transmit request) is disabled.   |
| [2]<br>NAK   | <b>Send NAK</b><br>This bit sends a Not Acknowledge condition after the next byte of data is read from the I <sup>2</sup> C Slave. After it is asserted, it is deasserted after a Not Acknowledge is sent or the IEN bit is deasserted. If this bit is 1, it cannot be cleared to 0 by writing to the register.  |

| Bit           | Description (Continued)   |
|---------------|---|
| [1]<br>FLUSH  | <b>Flush Data</b><br>Setting this bit to 1 clears the I <sup>2</sup> C Data Register and sets the TDRE bit to 1. This bit allows flushing of the I <sup>2</sup> C Data Register when a Not Acknowledge interrupt is received after the data has been sent to the I <sup>2</sup> C Data Register. Reading this bit always returns 0.                             |
| [0]<br>FILTEN | <b>I<sup>2</sup>C Signal Filter Enable</b><br>This bit enables low-pass digital filters on the SDA and SCL input signals. These filters reject any input pulse with periods less than a full system clock cycle. The filters introduce a 3-system clock cycle latency on the inputs.<br>1 = Low-pass filters are enabled.<br>0 = Low-pass filters are disabled. |

## I<sup>2</sup>C Baud Rate High and Low Byte Registers

The I<sup>2</sup>C Baud Rate High and Low Byte registers, shown in Tables 74 and 75, combine to form a 16-bit reload value, BRG[15:0], for the I<sup>2</sup>C Baud Rate Generator. When configured as a general purpose timer, the interrupt interval is calculated using the following equation:

$$\text{Interrupt Interval (s)} = \text{System Clock Period (s)} \times \text{BRG}[15:0]$$

**Table 74. I<sup>2</sup>C Baud Rate High Byte Register (I2CBRH)**

| Bit            | 7    | 6 | 5 | 4 | 3 | 2 | 1 | 0 |
|----------------|------|---|---|---|---|---|---|---|
| <b>Field</b>   | BRH  |   |   |   |   |   |   |   |
| <b>RESET</b>   | FFH  |   |   |   |   |   |   |   |
| <b>R/W</b>     | R/W  |   |   |   |   |   |   |   |
| <b>Address</b> | F53H |   |   |   |   |   |   |   |

| Bit  | Description  |
|--|--|
| [7:0]<br>BRH   | <b>I<sup>2</sup>C Baud Rate High Byte</b><br>Most significant byte, BRG[15:8], of the I <sup>2</sup> C Baud Rate Generator's reload value. |
| <b>Note:</b> If the DIAG bit in the I <sup>2</sup> C Diagnostic Control Register is set to 1, a read of the I2CBRH Register returns the current value of the I <sup>2</sup> C Baud Rate Counter[15:8]. |  |

**Table 75. I<sup>2</sup>C Baud Rate Low Byte Register (I2CBRL)**

| Bit            | 7    | 6 | 5 | 4 | 3 | 2 | 1 | 0 |
|----------------|------|---|---|---|---|---|---|---|
| <b>Field</b>   | BRL  |   |   |   |   |   |   |   |
| <b>RESET</b>   | FFH  |   |   |   |   |   |   |   |
| <b>R/W</b>     | R/W  |   |   |   |   |   |   |   |
| <b>Address</b> | F54H |   |   |   |   |   |   |   |

| Bit  | Description   |
|--|---|
| [7:0]  | <b>I<sup>2</sup>C Baud Rate Low Byte</b>  |
| BRL  | Least significant byte, BRG[7:0], of the I <sup>2</sup> C Baud Rate Generator's reload value. |
| <b>Note:</b> If the DIAG bit in the I <sup>2</sup> C Diagnostic Control Register is set to 1, a read of the I2CBRL Register returns the current value of the I <sup>2</sup> C Baud Rate Counter [7:0]. |   |

## I<sup>2</sup>C Diagnostic State Register

The I<sup>2</sup>C Diagnostic State Register, shown in Table 76, provides observability into the internal state. This register is read-only; it is used for I<sup>2</sup>C diagnostics and manufacturing test purposes.

**Table 76. I<sup>2</sup>C Diagnostic State Register (I2CDST)**

| Bit            | 7     | 6     | 5      | 4         | 3 | 2 | 1 | 0 |
|----------------|-------|-------|--------|-----------|---|---|---|---|
| <b>Field</b>   | SCLIN | SDAIN | STPCNT | TXRXSTATE |   |   |   |   |
| <b>RESET</b>   | X     |       | 0      |           |   |   |   |   |
| <b>R/W</b>     | R     |       |        |           |   |   |   |   |
| <b>Address</b> | F55H  |       |        |           |   |   |   |   |

| Bit    | Description                                      |
|--------|--|
| [7]    | <b>Serial Clock Input</b>                        |
| SCLIN  | Value of the Serial Clock input signal.          |
| [6]    | <b>Serial Data Input</b>                         |
| SDAIN  | Value of the Serial Data input signal.           |
| [5]    | <b>Stop Count</b>                                |
| STPCNT | Value of the internal Stop Count control signal. |

| Bit       | Description (Continued)   |
|-----------|---|
| [4:0]     | <b>Internal State</b>   |
| TXRXSTATE | Value of the internal I <sup>2</sup> C state machine.   |
|           | <b>TXRXSTATE State Description</b>  |
| 0_0000    | Idle State.   |
| 0_0001    | Start State.  |
| 0_0010    | Send/Receive data bit 7.  |
| 0_0011    | Send/Receive data bit 6.  |
| 0_0100    | Send/Receive data bit 5.  |
| 0_0101    | Send/Receive data bit 4.  |
| 0_0110    | Send/Receive data bit 3.  |
| 0_0111    | Send/Receive data bit 2.  |
| 0_1000    | Send/Receive data bit 1.  |
| 0_1001    | Send/Receive data bit 0.  |
| 0_1010    | Data Acknowledge State.   |
| 0_1011    | Second half of data Acknowledge State used only for not acknowledge.  |
| 0_1100    | First part of stop state.   |
| 0_1101    | Second part of stop state.  |
| 0_1110    | 10-bit addressing: Acknowledge State for 2nd address byte;<br>7-bit addressing: Address Acknowledge State.                                |
| 0_1111    | 10-bit address: Bit 0 (Least significant bit) of 2nd address byte;<br>7-bit address: Bit 0 (Least significant bit) (R/W) of address byte. |
| 1_0000    | 10-bit addressing: Bit 7 (Most significant bit) of 1st address byte.  |
| 1_0001    | 10-bit addressing: Bit 6 of 1st address byte.   |
| 1_0010    | 10-bit addressing: Bit 5 of 1st address byte.   |
| 1_0011    | 10-bit addressing: Bit 4 of 1st address byte.   |
| 1_0100    | 10-bit addressing: Bit 3 of 1st address byte.   |
| 1_0101    | 10-bit addressing: Bit 2 of 1st address byte.   |
| 1_0110    | 10-bit addressing: Bit 1 of 1st address byte.   |
| 1_0111    | 10-bit addressing: Bit 0 (R/W) of 1st address byte.   |
| 1_1000    | 10-bit addressing: Acknowledge state for 1st address byte.  |
| 1_1001    | 10-bit addressing: Bit 7 of 2nd address byte;<br>7-bit addressing: Bit 7 of address byte.   |
| 1_1010    | 10-bit addressing: Bit 6 of 2nd address byte;<br>7-bit addressing: Bit 6 of address byte.   |
| 1_1011    | 10-bit addressing: Bit 5 of 2nd address byte;<br>7-bit addressing: Bit 5 of address byte.   |
| 1_1100    | 10-bit addressing: Bit 4 of 2nd address byte;<br>7-bit addressing: Bit 4 of address byte.   |
| 1_1101    | 10-bit addressing: Bit 3 of 2nd address byte;<br>7-bit addressing: Bit 3 of address byte.   |
| 1_1110    | 10-bit addressing: Bit 2 of 2nd address byte;<br>7-bit addressing: Bit 2 of address byte.   |
| 1_1111    | 10-bit addressing: Bit 1 of 2nd address byte;<br>7-bit addressing: Bit 1 of address byte.   |

## I<sup>2</sup>C Diagnostic Control Register

The I<sup>2</sup>C Diagnostic Register, shown in Table 77, provides control over diagnostic modes. This register is a read/write register used for I<sup>2</sup>C diagnostics.

**Table 77. I<sup>2</sup>C Diagnostic Control Register (I2CDIAG)**

| Bit     | 7        | 6 | 5 | 4 | 3 | 2 | 1 | 0    |
|---------|----------|---|---|---|---|---|---|------|
| Field   | Reserved |   |   |   |   |   |   | DIAG |
| RESET   | 0        |   |   |   |   |   |   |      |
| R/W     | R        |   |   |   |   |   |   | R/W  |
| Address | F56H     |   |   |   |   |   |   |      |

| Bit         | Description  |
|-------------|--|
| [7:1]       | <b>Reserved</b><br>These bits are reserved and must be programmed to 0000000.  |
| [0]<br>DIAG | <b>Diagnostic Control Bit</b><br>Selects the read-back value of the Baud Rate Reload registers.<br>0 = Normal Mode. Reading the Baud Rate High and Low Byte registers returns the baud rate reload value.<br>1 = Diagnostic Mode. Reading the Baud Rate High and Low Byte registers returns the baud rate counter value. |

## ***Analog-to-Digital Converter***

The Analog-to-Digital Converter (ADC) converts an analog input signal to a 10-bit binary number. The features of the sigma-delta ADC include:

- Five analog input sources are multiplexed with GPIO ports
- Interrupt upon conversion complete
- Internal voltage reference generator

The ADC is available only in the Z8F0822, Z8F0821, Z8F0422, Z8F0421, Z8R0822, Z8R0821, Z8R0422 and Z8R0421 devices.

### **Architecture**

Figure 32 displays the three major functional blocks (converter, analog multiplexer and voltage reference generator) of the ADC. The ADC converts an analog input signal to its digital representation. The five-input analog multiplexer selects one of the five analog input sources. The ADC requires an input reference voltage for the conversion. The voltage reference for the conversion can be input through the external  $V_{REF}$  pin or generated internally by the voltage reference generator.

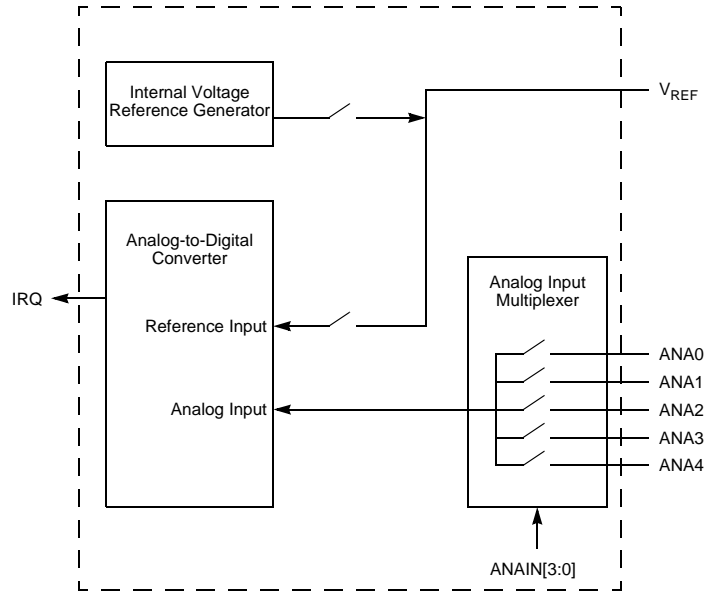


Figure 32. Analog-to-Digital Converter Block Diagram

## Operation

This section describes the operational aspects of the ADC's power-down and conversion features.

### Automatic Power-Down

If the ADC is idle (no conversions in progress) for 160 consecutive system clock cycles, portions of the ADC are automatically powered down. From this powered-down state, the ADC requires 40 system clock cycles to power up. The ADC powers up when a conversion is requested via the ADC Control Register.

### Single-Shot Conversion

When configured for single-shot conversion, the ADC performs a single analog-to-digital conversion on the selected analog input channel. After completion of the conversion, the ADC shuts down. Observe the following procedure for setting up the ADC and initiating a single-shot conversion:

1. Enable the appropriate analog inputs by configuring the GPIO pins for alternate function. This configuration disables the digital input and output drivers.
2. Write to the ADC Control Register to configure the ADC and begin the conversion. The following bit fields in the ADC Control Register are written simultaneously:
  - Write to the ANAIN[3:0] field to select one of the 5 analog input sources
  - Clear CONT to 0 to select a single-shot conversion
  - Write to the  $\overline{\text{VREF}}$  bit to enable or disable the internal voltage reference generator
  - Set CEN to 1 to start the conversion
3. CEN remains 1 while the conversion is in progress. A single-shot conversion requires 5129 system clock cycles to complete. If a single-shot conversion is requested from an ADC powered-down state, the ADC uses 40 additional clock cycles to power-up before beginning the 5129 cycle conversion.
4. When the conversion is complete, the ADC control logic performs the following operations:
  - 10-bit data result written to {ADCD\_H[7:0], ADCD\_L[7:6]}
  - CEN resets to 0 to indicate the conversion is complete
  - An interrupt request is sent to the Interrupt Controller
5. If the ADC remains idle for 160 consecutive system clock cycles, it is automatically powered-down.

## Continuous Conversion

When configured for continuous conversion, the ADC continuously performs an analog-to-digital conversion on the selected analog input. Each new data value over-writes the previous value stored in the ADC Data registers. An interrupt is generated after each conversion.



**Caution:** In CONTINUOUS Mode, ensure that ADC updates are limited by the input signal bandwidth of the ADC and the latency of the ADC and its digital filter. Step changes at the input are not seen at the next output from the ADC. The response of the ADC (in all modes) is limited by the input signal bandwidth and the latency.

---

Observe the following procedure for setting up the ADC and initiating continuous conversion:

1. Enable the appropriate analog input by configuring the GPIO pins for alternate function. This disables the digital input and output driver.

2. Write to the ADC Control Register to configure the ADC for continuous conversion. The bit fields in the ADC Control Register can be written simultaneously:
  - Write to the ANAIN[3:0] field to select one of the 5 analog input sources.
  - Set CONT to 1 to select continuous conversion.
  - Write to the  $\overline{\text{VREF}}$  bit to enable or disable the internal voltage reference generator.
  - Set CEN to 1 to start the conversions.
3. When the first conversion in continuous operation is complete (after 5129 system clock cycles, plus the 40 cycles for power-up, if necessary), the ADC control logic performs the following operations:
  - CEN resets to 0 to indicate the first conversion is complete. CEN remains 0 for all subsequent conversions in continuous operation.
  - An interrupt request is sent to the Interrupt Controller to indicate the conversion is complete.
4. Thereafter, the ADC writes a new 10-bit data result to {ADCD\_H[7:0], ADCD\_L[7:6]} every 256 system clock cycles. An interrupt request is sent to the Interrupt Controller when each conversion is complete.
5. To disable continuous conversion, clear the CONT bit in the ADC Control Register to 0.

## ADC Control Register Definitions

This section defines the features of the following ADC Control registers.

[ADC Control Register](#): see page 139

[ADC Data High Byte Register](#): see page 141

[ADC Data Low Bits Register](#): see page 142

### ADC Control Register

The ADC Control Register, shown in Table 78, selects the analog input channel and initiates the analog-to-digital conversion.

**Table 78. ADC Control Register (ADCCTL)**

| Bit     | 7    | 6        | 5    | 4    | 3          | 2 | 1 | 0 |
|---------|------|----------|------|------|------------|---|---|---|
| Field   | CEN  | Reserved | VREF | CONT | ANAIN[3:0] |   |   |   |
| RESET   | 0    |          | 1    | 0    |            |   |   |   |
| R/W     | R/W  |          |      |      |            |   |   |   |
| Address | F70H |          |      |      |            |   |   |   |

| Bit               | Description  |
|-------------------|--|
| [7]<br>CEN        | <b>Conversion Enable</b><br>0 = Conversion is complete. Writing a 0 produces no effect. The ADC automatically clears this bit to 0 when a conversion has been completed.<br>1 = Begin conversion. Writing a 1 to this bit starts a conversion. If a conversion is already in progress, the conversion restarts. This bit remains 1 until the conversion is complete.   |
| [6]               | <b>Reserved</b><br>This bit is reserved and must be programmed to 0.   |
| [5]<br>VREF       | <b>Voltage Reference</b><br>0 = Internal reference generator enabled. The $V_{REF}$ pin must remain unconnected or capacitively coupled to analog ground ( $AV_{SS}$ ).<br>1 = Internal voltage reference generator disabled. An external voltage reference must be provided through the $V_{REF}$ pin.  |
| [4]<br>CONT       | <b>Conversion</b><br>0 = SINGLE-SHOT conversion. ADC data is output one time at completion of the 5129 system clock cycles.<br>1 = Continuous conversion. ADC data updated every 256 system clock cycles.  |
| [3]<br>ANAIN[3:0] | <b>Analog Input Select</b><br>These bits select the analog input for conversion. Not all Port pins in this list are available in all packages for Z8 Encore! XP® F0822 Series. See the <a href="#">Signal and Pin Descriptions</a> chapter on page 7 for information regarding the port pins available with each package style. Do not enable unavailable analog inputs.<br>0000 = ANA0.<br>0001 = ANA1.<br>0010 = ANA2.<br>0011 = ANA3.<br>0100 = ANA4.<br>0101 = Reserved.<br>011X = Reserved.<br>1XXX = Reserved. |

## ADC Data High Byte Register

The ADC Data High Byte Register, shown in Table 79, contains the upper eight bits of the 10-bit ADC output. During a SINGLE-SHOT conversion, this value is invalid. Access to the ADC Data High Byte Register is read-only. The full 10-bit ADC result is furnished by {ADCD\_H[7:0], ADCD\_L[7:6]}. Reading the ADC Data High Byte Register latches data in the ADC Low Bits Register.

**Table 79. ADC Data High Byte Register (ADCD\_H)**

| Bit     | 7      | 6 | 5 | 4 | 3 | 2 | 1 | 0 |
|---------|--------|---|---|---|---|---|---|---|
| Field   | ADCD_H |   |   |   |   |   |   |   |
| RESET   | X      |   |   |   |   |   |   |   |
| R/W     | R      |   |   |   |   |   |   |   |
| Address | F72H   |   |   |   |   |   |   |   |

| Bit             | Description   |
|-----------------|---|
| [7:0]<br>ADCD_H | <b>ADC Data High Byte</b><br>This byte contains the upper eight bits of the 10-bit ADC output. These bits are not valid during a single-shot conversion. During a continuous conversion, the last conversion output is held in this register. These bits are undefined after a Reset. |

## ADC Data Low Bits Register

The ADC Data Low Bits Register, shown in Table 80, contains the lower two bits of the conversion value. The data in the ADC Data Low Bits Register is latched each time the ADC Data High Byte Register is read. Reading this register always returns the lower two bits of the conversion last read into the ADC High Byte Register. Access to the ADC Data Low Bits Register is read-only. The full 10-bit ADC result is furnished by {ADCD\_H[7:0], ADCD\_L[7:6]}.

**Table 80. ADC Data Low Bits Register (ADCD\_L)**

| Bit     | 7      | 6 | 5        | 4 | 3 | 2 | 1 | 0 |
|---------|--------|---|----------|---|---|---|---|---|
| Field   | ADCD_L |   | Reserved |   |   |   |   |   |
| RESET   | X      |   |          |   |   |   |   |   |
| R/W     | R      |   |          |   |   |   |   |   |
| Address | F73H   |   |          |   |   |   |   |   |

| Bit             | Description  |
|-----------------|--|
| [7:6]<br>ADCD_L | <b>ADC Data Low Bits</b><br>These are the least significant two bits of the 10-bit ADC output. These bits are undefined after a Reset. |
| [5:0]           | <b>Reserved</b><br>These bits are reserved and are always undefined.   |

## Flash Memory

The products in the Z8 Encore! XP® F0822 Series feature either 8KB (8192) or 4KB (4096) bytes of Flash memory with Read/Write/Erase capability. Flash memory is programmed and erased in-circuit by either user code or through the OCD.

The Flash memory array is arranged in 512-byte per page. The 512-byte page is the minimum Flash block size that can be erased. Flash memory is divided into eight sectors which is protected from programming and erase operations on a per sector basis.

Table 81 describes the Flash memory configuration for each device in the Z8F082x family. Table 82 lists the sector address ranges. Figure 33 displays the Flash memory arrangement.

**Table 81. Flash Memory Configurations**

| Part Number | Flash Size | Number of Pages | Flash Memory Addresses | Sector Size | Number of Sectors | Pages per Sector |
|-------------|------------|-----------------|------------------------|-------------|-------------------|------------------|
| Z8F08xx     | 8KB (8192) | 16              | 0000H–1FFFH            | 1KB (1024)  | 8                 | 2                |
| Z8F04xx     | 4KB (4096) | 8               | 0000H–0FFFH            | 0.5KB (512) | 8                 | 1                |

**Table 82. Flash Memory Sector Addresses**

| Sector Number | Flash Sector Address Ranges |             |
|---------------|-----------------------------|-------------|
|               | Z8F04xx                     | Z8F08xx     |
| 0             | 0000H–01FFH                 | 0000H–03FFH |
| 1             | 0200H–03FFH                 | 0400H–07FFH |
| 2             | 0400H–05FFH                 | 0800H–0BFFH |
| 3             | 0600H–07FFH                 | 0C00H–0FFFH |
| 4             | 0800H–09FFH                 | 1000H–13FFH |
| 5             | 0A00H–0BFFH                 | 1400H–17FFH |
| 6             | 0C00H–0DFFH                 | 1800H–1BFFH |
| 7             | 0E00H–0FFFH                 | 1C00H–1FFFH |

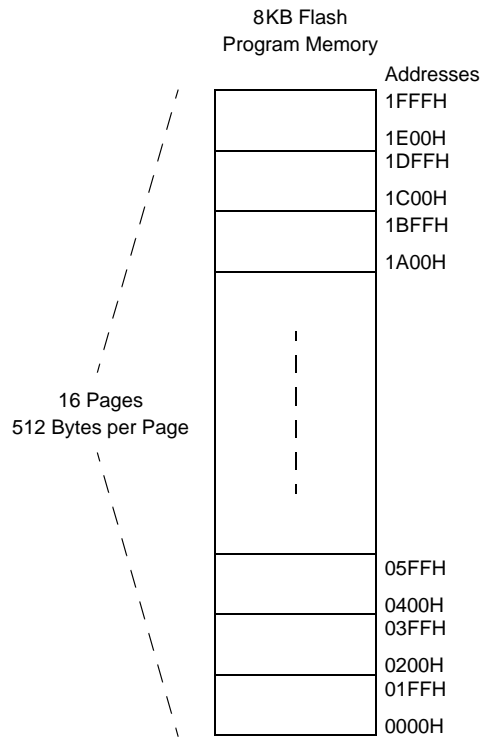


Figure 33. Flash Memory Arrangement

## Information Area

Table 83 describes the Z8 Encore! XP® F0822 Series Information Area. This 512-byte Information Area is accessed by setting bit 7 of the Page Select Register to 1. When access is enabled, the Information Area is mapped into Flash memory and overlays the 512 bytes at addresses FE00H to FFFFH. When the Information Area access is enabled, LDC instructions return data from the Information Area. CPU instruction fetches always comes from Flash memory regardless of the Information Area access bit. Access to the Information Area is read-only.

**Table 83. Z8 Encore! XP® F0822 Series Information Area Map**

| Flash Memory Address (Hex) | Function   |
|----------------------------|--|
| FE00H–FE3FH                | Reserved   |
| FE40H–FE53H                | <b>Part Number</b><br>20-character ASCII alphanumeric code<br>Left-justified and filled with zeros |
| FE54H–FFFFH                | Reserved   |

## Operation

The Flash Controller provides the proper signals and timing for the Byte Programming, Page Erase, and Mass Erase functions within Flash memory. The Flash Controller contains a protection mechanism, using the Flash Control Register (FCTL), to prevent accidental programming or erasure. The following subsections provide details about the various operations (Lock, Unlock, Sector Protect, Byte Programming, Page Erase and Mass Erase).

### Timing Using the Flash Frequency Registers

Before performing a program or erase operation in Flash memory, you must first configure the Flash Frequency High and Low Byte registers. The Flash Frequency registers allow programming and erasure of Flash memory with system clock frequencies ranging from 20kHz through 20MHz (the valid range is limited to the device operating frequencies).

The Flash Frequency High and Low Byte registers combine to form a 16-bit value, FFREQ, to control timing for Flash program and erase operations. The 16-bit Flash Frequency value must contain the system clock frequency in kHz. This value is calculated using the following equation:

$$\text{FFREQ}[15:0] = \frac{\text{System Clock Frequency (Hz)}}{1000}$$



**Caution:** Flash programming and erasure are not supported for system clock frequencies below 20kHz, above 20MHz, or outside of the device operating frequency range. The Flash Frequency High and Low Byte registers must be loaded with the correct value to ensure proper Flash programming and erase operations.

## Flash Read Protection

The user code contained within Flash memory can be protected from external access. Programming the Flash Read Protect option bit prevents reading of user code by the OCD or by using the Flash Controller Bypass mode. For more information, see the [Option Bits](#) chapter on page 155 and the [On-Chip Debugger](#) chapter on page 158.

## Flash Write/Erase Protection

Z8 Encore! XP® F0822 Series provides several levels of protection against accidental program and erasure of the Flash memory contents. This protection is provided by the Flash Controller unlock mechanism, the Flash Sector Protect Register, and the Flash Write Protect option bit.

### Flash Controller Unlock Mechanism

At Reset, the Flash Controller locks to prevent accidental program or erasure of Flash memory. To program or erase Flash memory, the Flash Controller must be unlocked. After unlocking the Flash Controller, the Flash can be programmed or erased. Any value written by user code to the Flash Control Register or Page Select Register out of sequence locks the Flash Controller.

Observe the following procedure to unlock the Flash Controller from user code:

1. Write 00H to the Flash Control Register to reset the Flash Controller.
2. Write the page to be programmed or erased to the Page Select Register.
3. Write the first unlock command 73H to the Flash Control Register.
4. Write the second unlock command 8CH to the Flash Control Register.
5. Rewrite the page written in [Step 2](#) to the Page Select Register.

### Flash Sector Protection

The Flash Sector Protect Register is configured to prevent sectors from being programmed or erased. After a sector is protected, it cannot be unprotected by user code. The Flash Sector Protect Register is cleared after reset and any previously written protection values is lost. User code must write this register in the initialization routine if enable sector protection is appropriate.

The Flash Sector Protect Register shares its Register File address with the Page Select Register. The Flash Sector Protect Register is accessed by writing the Flash Control Register with 5EH. After the Flash Sector Protect Register is selected, it can be accessed at the Page Select Register address. When the user code writes the Flash Sector Protect Register, bits can only be set to 1. Sectors can be protected, but not unprotected, using register write operations. Writing a value other than 5EH to the Flash Control Register deselects the Flash Sector Protect Register and reenables access to the Page Select Register.

Observe the following procedure to setup the Flash Sector Protect Register from user code:

1. Write 00H to the Flash Control Register to reset the Flash Controller.
2. Write 5EH to the Flash Control Register to select the Flash Sector Protect Register.
3. Read and/or write the Flash Sector Protect Register which is now at Register File address FF9H.
4. Write 00H to the Flash Control Register to return the Flash Controller to its reset state.

### Flash Write Protection Option Bit

The Flash Write Protect option bit can block all program and erase operations from user code. For more information, see the [Option Bits](#) chapter on page 155.

## Byte Programming

When the Flash Controller is unlocked, writes to Flash memory from user code programs a byte into the Flash if the address is located in the unlocked page. An erased Flash byte contains all 1s (FFH). The programming operation is used to change bits from 1 to 0. To change a Flash bit (or multiple bits) from zero to one requires a Page Erase or Mass Erase operation.

Byte programming is accomplished using the eZ8 CPU's LDC or LDCI instructions. Refer to the [eZ8 CPU Core User Manual \(UM0128\)](#) for a description of the LDC and LDCI instructions.

While the Flash Controller programs the contents of Flash memory, the eZ8 CPU idles but the system clock and on-chip peripherals continue to operate. Interrupts that occur when a programming operation is in progress are serviced after the programming operation is complete. To exit programming mode and lock the Flash Controller, write 00H to the Flash Control Register.

User code cannot program Flash memory on a page that is located in a protected sector. When user code writes memory locations, only addresses located in the unlocked page are programmed. Memory writes outside of the unlocked page are ignored.



**Caution:** Each memory location must not be programmed more than twice before an erase occurs.

---

Observe the following procedure to program the Flash from user code:

1. Write 00H to the Flash Control Register to reset the Flash Controller.
2. Write the page of memory to be programmed to the Page Select Register.
3. Write the first unlock command 73H to the Flash Control Register.

4. Write the second unlock command 8CH to the Flash Control Register.
5. Rewrite the page written in [Step 2](#) to the Page Select Register.
6. Write Flash memory using LDC or LDCI instructions to program Flash memory.
7. Repeat [Step 6](#) to program additional memory locations on the same page.
8. Write 00H to the Flash Control Register to lock the Flash Controller.

## Page Erase

Flash memory can be erased one page (512 bytes) at a time. Page Erasing the Flash memory sets all bytes in that page to the value FFH. The Page Select Register identifies the page to be erased. While the Flash Controller executes the Page Erase operation, the eZ8 CPU idles but the system clock and on-chip peripherals continue to operate. The eZ8 CPU resumes operation after the Page Erase operation completes. Interrupts that occur when the Page Erase operation is in progress are serviced after the Page Erase operation is complete. When the Page Erase operation is complete, the Flash Controller returns to its locked state. Only pages located in unprotected sectors can be erased.

Observe the following procedure to perform a Page Erase operation:

1. Write 00H to the Flash Control Register to reset the Flash Controller.
2. Write the page to be erased to the Page Select Register.
3. Write the first unlock command 73H to the Flash Control Register.
4. Write the second unlock command 8CH to the Flash Control Register.
5. Rewrite the page written in [Step 2](#) to the Page Select Register.
6. Write the Page Erase command 95H to the Flash Control Register.

## Mass Erase

Flash memory cannot be mass-erased by user code.

## Flash Controller Bypass

The Flash Controller can be bypassed and the control signals for Flash memory brought out to the GPIO pins. Bypassing the Flash Controller allows faster programming algorithms by controlling the Flash programming signals directly.

Zilog recommends Flash Controller Bypass functionality for gang programming applications and for large-volume customers who do not require in-circuit programming of Flash memory.

For more information about bypassing the Flash Controller, refer to the [Third Party Flash Programming Support for Z8 Encore! MCU Application Note \(AN0117\)](#), available for download at [www.zilog.com](http://www.zilog.com).

## Flash Controller Behavior in Debug Mode

The following changes in behavior of the Flash Controller occur when the Flash Controller is accessed using the OCD:

- The Flash Write Protect option bit is ignored
- The Flash Sector Protect Register is ignored for programming and erase operations
- Programming operations are not limited to the page selected in the Page Select Register
- Bits in the Flash Sector Protect Register can be written to 1 or 0
- The second write of the Page Select Register to unlock the Flash Controller is not necessary
- The Page Select Register is written when the Flash Controller is unlocked
- The Mass Erase command is enabled

## Flash Control Register Definitions

This section defines the features of the following Flash Control registers.

[Flash Control Register](#): see page 150

[Flash Status Register](#): see page 151

[Page Select Register](#): see page 152

[Flash Sector Protect Register](#): see page 152

[Flash Frequency High and Low Byte Registers](#): see page 153

## Flash Control Register

The Flash Control Register, shown in Table 84, is used to unlock the Flash Controller for programming and erase operations, or to select the Flash Sector Protect Register. The write-only Flash Control Register shares its Register File address with the read-only Flash Status Register.

**Table 84. Flash Control Register (FCTL)**

| Bit     | 7    | 6 | 5 | 4 | 3 | 2 | 1 | 0 |
|---------|------|---|---|---|---|---|---|---|
| Field   | FCMD |   |   |   |   |   |   |   |
| RESET   | 0    |   |   |   |   |   |   |   |
| R/W     | W    |   |   |   |   |   |   |   |
| Address | FF8H |   |   |   |   |   |   |   |

| Bit   | Description  |
|-------|--|
| [7:0] | <b>Flash Command*</b>  |
| FCMD  | 73H = First unlock command.<br>8CH = Second unlock command.<br>95H = Page erase command.<br>63H = Mass erase command.<br>5EH = Flash Sector Protect Register select. |

Note: \*All other commands, or any command out of sequence, lock the Flash Controller.

## Flash Status Register

The Flash Status Register, shown in Table 85, indicates the current state of the Flash Controller. This register can be read at any time. The read-only Flash Status Register shares its Register File address with the write-only Flash Control Register.

**Table 85. Flash Status Register (FSTAT)**

| Bit     | 7        | 6 | 5     | 4 | 3 | 2 | 1 | 0 |
|---------|----------|---|-------|---|---|---|---|---|
| Field   | Reserved |   | FSTAT |   |   |   |   |   |
| RESET   | 0        |   |       |   |   |   |   |   |
| R/W     | R        |   |       |   |   |   |   |   |
| Address | FF8H     |   |       |   |   |   |   |   |

| Bit            | Description  |
|----------------|--|
| [7:6]          | <b>Reserved</b><br>These bits are reserved and must be programmed to 00.   |
| [5:0]<br>FSTAT | <b>Flash Controller Status</b><br>00_0000 = Flash Controller locked.<br>00_0001 = First unlock command received.<br>00_0010 = Second unlock command received.<br>00_0011 = Flash Controller unlocked.<br>00_0100 = Flash Sector Protect Register selected.<br>00_1xxx = Program operation in progress.<br>01_0xxx = Page erase operation in progress.<br>10_0xxx = Mass erase operation in progress. |

## Page Select Register

The Page Select (FPS) Register, shown in Table 86, selects the Flash memory page to be erased or programmed. Each Flash page contains 512 bytes of Flash memory. During a Page Erase operation, all Flash memory locations with the 7 most significant bits of the address provided by the PAGE field are erased to FFH.

The Page Select Register shares its Register File address with the Flash Sector Protect Register. The Page Select Register cannot be accessed when the Flash Sector Protect Register is enabled.

**Table 86. Page Select Register (FPS)**

| Bit     | 7       | 6    | 5 | 4 | 3 | 2 | 1 | 0 |
|---------|---------|------|---|---|---|---|---|---|
| Field   | INFO_EN | PAGE |   |   |   |   |   |   |
| RESET   | 0       |      |   |   |   |   |   |   |
| R/W     | R/W     |      |   |   |   |   |   |   |
| Address | FF9H    |      |   |   |   |   |   |   |

| Bit            | Description   |
|----------------|---|
| [7]<br>INFO_EN | <b>Information Area Enable</b><br>0 = Information Area is not selected.<br>1 = Information Area is selected. The Information area is mapped into the Flash memory address space at addresses FE00H through FFFFH. |
| [6:0]<br>PAGE  | <b>Page Select</b><br>This 7-bit field selects the Flash memory page for Programming and Page Erase operations. Flash memory address[15:9] = PAGE[6:0].   |

## Flash Sector Protect Register

The Flash Sector Protect Register, shown in Table 87, protects Flash memory sectors from being programmed or erased from user code. The Flash Sector Protect Register shares its Register File address with the Page Select Register. The Flash Sector Protect Register can be accessed only after writing the Flash Control Register with 5EH.

User code can only write bits in this register to 1 (bits cannot be cleared to 0 by user code). To determine the appropriate Flash memory sector address range and sector number for your F0822 Series product, please refer to [Table 82](#) on page 143.

**Table 87. Flash Sector Protect Register (FPROT)**

| Bit   | 7     | 6     | 5     | 4     | 3     | 2     | 1     | 0     |
|---|-------|-------|-------|-------|-------|-------|-------|-------|
| <b>Field</b>  | SECT7 | SECT6 | SECT5 | SECT4 | SECT3 | SECT2 | SECT1 | SECT0 |
| <b>RESET</b>  | 0     |       |       |       |       |       |       |       |
| <b>R/W</b>  | R/W*  |       |       |       |       |       |       |       |
| <b>Address</b>  | FF9H  |       |       |       |       |       |       |       |
| Note: *R/W = this register is accessible for read operations, but can only be written to 1 (via user code). |       |       |       |       |       |       |       |       |

| Bit  | Description   |
|--|---|
| [7:0]  | <b>Sector Protect</b>   |
| SECT $n$                                     | 0 = Sector $n$ can be programmed or erased from user code.<br>1 = Sector $n$ is protected and cannot be programmed or erased from user code. User code can only write bits from 0 to 1. |
| Note: $n$ indicates bits in the range [7:0]. |   |

## Flash Frequency High and Low Byte Registers

The Flash Frequency High and Low Byte registers, shown in Tables 88 and 89, combine to form a 16-bit value, FFREQ, to control timing for Flash program and erase operations. The 16-bit Flash Frequency registers must be written with the system clock frequency in kHz for Program and Erase operations. The Flash Frequency value is calculated using the following equation:

$$\text{FFREQ}[15:0] = \{ \text{FFREQH}[7:0], \text{FFREQL}[7:0] \} = \frac{\text{System Clock Frequency}}{1000}$$



**Caution:** Flash programming and erasure is not supported for system clock frequencies below 20kHz, above 20MHz, or outside of the valid operating frequency range for the device. The Flash Frequency High and Low Byte registers must be loaded with the correct value to ensure proper program and erase times.

**Table 88. Flash Frequency High Byte Register (FFREQH)**

| Bit     | 7      | 6 | 5 | 4 | 3 | 2 | 1 | 0 |
|---------|--------|---|---|---|---|---|---|---|
| Field   | FFREQH |   |   |   |   |   |   |   |
| RESET   | 0      |   |   |   |   |   |   |   |
| R/W     | R/W    |   |   |   |   |   |   |   |
| Address | FFAH   |   |   |   |   |   |   |   |

**Table 89. Flash Frequency Low Byte Register (FFREQL)**

| Bit     | 7      | 6 | 5 | 4 | 3 | 2 | 1 | 0 |
|---------|--------|---|---|---|---|---|---|---|
| Field   | FFREQL |   |   |   |   |   |   |   |
| RESET   | 0      |   |   |   |   |   |   |   |
| R/W     | R/W    |   |   |   |   |   |   |   |
| Address | FFBH   |   |   |   |   |   |   |   |

| Bit   | Description   |
|-------|---|
| [7:0] | <b>Flash Frequency High and Low Bytes</b><br>FFREQH, These 2 bytes, {FFREQH[7:0], FFREQL[7:0]}, contain the 16-bit Flash Frequency value.<br>FFREQL |

## Option Bits

Option bits allow user configuration of certain aspects of Z8 Encore! XP® F0822 Series operation. The feature configuration data is stored in Flash memory and read during Reset. Features available for control through the option bits are:

- Watchdog Timer time-out response selection—interrupt or Reset
- Watchdog Timer enabled at Reset
- The ability to prevent unwanted read access to user code in Flash memory
- The ability to prevent accidental programming and erasure of all or a portion of the user code in Flash memory
- Voltage Brown-Out configuration is always enabled or disabled during STOP Mode to reduce STOP Mode power consumption
- Oscillator Mode selection for high-, medium- and low-power crystal oscillators, or external RC oscillator

### Operation

This section describes the type and configuration of the programmable Flash option bits.

#### Option Bit Configuration By Reset

During any reset operation (System Reset, Reset or Stop Mode Recovery), the option bits are automatically read from Flash memory and written to Option Configuration registers. The Option Configuration registers control operation of the devices within the Z8 Encore! XP® F0822 Series. Option bit control is established before the device exits Reset and the eZ8 CPU begins code execution. The Option Configuration registers are not part of the Register File and are not accessible for read or write access. Each time the option bits are programmed or erased, the device must be Reset for the change to take place (Flash version only).

#### Option Bit Address Space

The first two bytes of Flash memory at addresses 0000H (shown in Table 90) and 0001H (shown in Table 91) are reserved for the user-programmable option bits. The byte at Program memory address 0000H configures user options. The byte at Flash memory address 0001H is reserved for future use and must remain in its unprogrammed state.

## Flash Memory Address 0000H

Table 90. Option Bits at Flash Memory Address 0000H for 8K Series Flash Devices

| Bit     | 7                    | 6      | 5            | 4 | 3      | 2  | 1        | 0   |
|---------|----------------------|--------|--------------|---|--------|----|----------|-----|
| Field   | WDT_RES              | WDT_AO | OSC_SEL[1:0] |   | VBO_AO | RP | Reserved | FWP |
| RESET   | U                    |        |              |   |        |    |          |     |
| R/W     | R/W                  |        |              |   |        |    |          |     |
| Address | Program Memory 0000H |        |              |   |        |    |          |     |

Note: U = Unchanged by Reset; R/W = Read/Write.

| Bit                   | Description   |
|-----------------------|---|
| [7]<br>WDT_RES        | <b>Watchdog Timer Reset</b><br>0 = Watchdog Timer time-out generates an interrupt request. Interrupts must be globally enabled for the eZ8 CPU to acknowledge the interrupt request.<br>1 = Watchdog Timer time-out causes a Reset. This setting is the default for unprogrammed (erased) Flash.  |
| [6]<br>WDT_AO         | <b>Watchdog Timer Always On</b><br>0 = Watchdog Timer is automatically enabled upon application of system power. Watchdog Timer can not be disabled.<br>1 = Watchdog Timer is enabled upon execution of the WDT instruction. After it is enabled, the Watchdog Timer can only be disabled by a Reset or Stop Mode Recovery. This setting is the default for unprogrammed (erased) Flash.  |
| [5:4]<br>OSC_SEL[1:0] | <b>OSCILLATOR Mode Selection</b><br>00 = On-chip oscillator configured for use with external RC networks (<4MHz).<br>01 = Minimum power for use with very-low-frequency crystals (32kHz to 1.0MHz).<br>10 = Medium power for use with medium frequency crystals or ceramic resonators (0.5MHz to 10.0MHz).<br>11 = Maximum power for use with high-frequency crystals (8.0MHz to 20.0MHz). This setting is the default for unprogrammed (erased) Flash. |
| [3]<br>VBO_AO         | <b>Voltage Brown-Out Protection Always On</b><br>0 = Voltage Brown-Out Protection is disabled in STOP Mode to reduce total power consumption.<br>1 = Voltage Brown-Out Protection is always enabled including during STOP Mode. This setting is the default for unprogrammed (erased) Flash.  |
| [2]<br>RP             | <b>Read Protect</b><br>0 = User program code is inaccessible. Limited control features are available through the OCD.<br>1 = User program code is accessible. All OCD commands are enabled. This setting is the default for unprogrammed (erased) Flash.  |

Note: \*Applies only to the Flash versions of the F0822 Series of devices.

| Bit        | Description (Continued)  |
|------------|--|
| [1]        | <b>Reserved</b><br>This bit is reserved and must always be 1.  |
| [0]<br>FWP | <b>Flash Write Protect*</b><br>These two option bits combine to provide three levels of Program memory protection.<br>0 = Programming, Page Erase, and Mass Erase using User Code is disabled. Mass Erase is available through the OCD.<br>1 = Programming and Page Erase are enabled for all of Flash program memory. |

Note: \*Applies only to the Flash versions of the F0822 Series of devices.

## Flash Memory Address 0001H

Table 91. Options Bits at Flash Memory Address 0001H

| Bit            | 7                    | 6 | 5 | 4 | 3 | 2 | 1 | 0 |
|----------------|----------------------|---|---|---|---|---|---|---|
| <b>Field</b>   | Reserved             |   |   |   |   |   |   |   |
| <b>RESET</b>   | U                    |   |   |   |   |   |   |   |
| <b>R/W</b>     | R/W                  |   |   |   |   |   |   |   |
| <b>Address</b> | Program Memory 0001H |   |   |   |   |   |   |   |

Note: U = Unchanged by Reset; R/W = Read/Write.

| Bit   | Description  |
|-------|--|
| [7:0] | <b>Reserved</b><br>These option bits are reserved and must always be 1. This setting is the default for unprogrammed (erased) Flash. |

## On-Chip Debugger

Z8 Encore! XP<sup>®</sup> F0822 Series products have an integrated On-Chip Debugger (OCD) that provides advanced debugging features, including:

- Reading and writing of the Register File
- Reading and (Flash version only) writing of Program and Data Memory
- Setting of breakpoints
- Executing eZ8 CPU instructions

### Architecture

The OCD consists of four primary functional blocks: transmitter, receiver, autobaud generator, and debug controller. Figure 34 displays the architecture of the OCD.

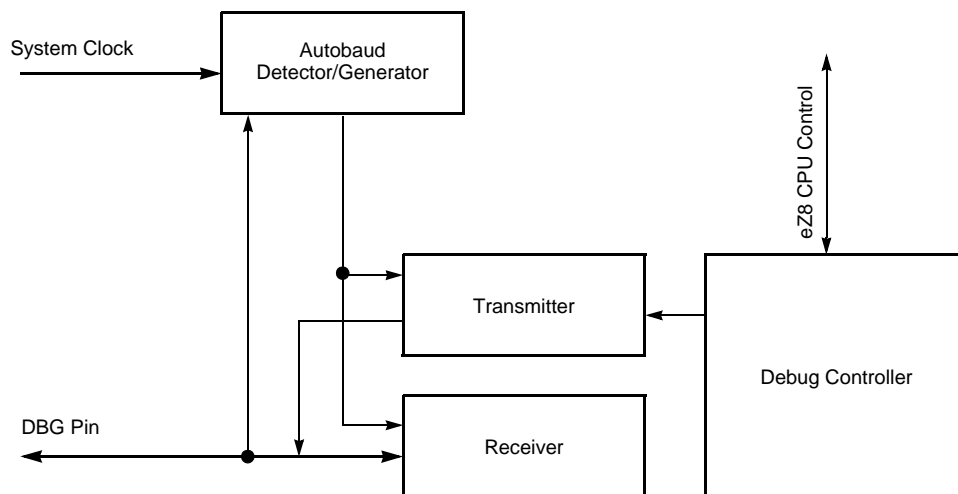


Figure 34. On-Chip Debugger Block Diagram

## Operation

The following section describes the operation of the OCD.

### OCD Interface

The OCD uses the DBG pin for communication with an external host. This one-pin interface is a bidirectional open-drain interface that transmits and receives data. Data transmission is half-duplex, in that transmit and receive cannot occur simultaneously. The serial data on the DBG pin is sent using the standard asynchronous data format defined in RS-232. This pin can interface the Z8 Encore! XP<sup>®</sup> F0822 Series products to the serial port of a host PC using minimal external hardware. Two different methods for connecting the DBG pin to an RS-232 interface are shown in Figures 35 and 36.

---

**⚠ Caution:** For operation of the OCD, all power pins ( $V_{DD}$  and  $AV_{DD}$ ) must be supplied with power, and all ground pins ( $V_{SS}$  and  $AV_{SS}$ ) must be properly grounded. The DBG pin is open-drain and must always be connected to  $V_{DD}$  through an external pull-up resistor to ensure proper operation.

---

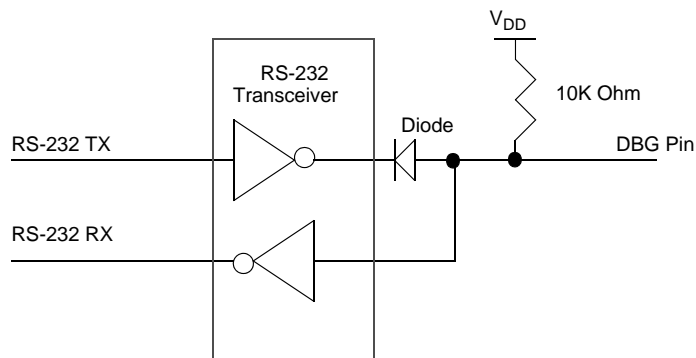


Figure 35. Interfacing the On-Chip Debugger's DBG Pin with an RS-232 Interface, #1 of 2

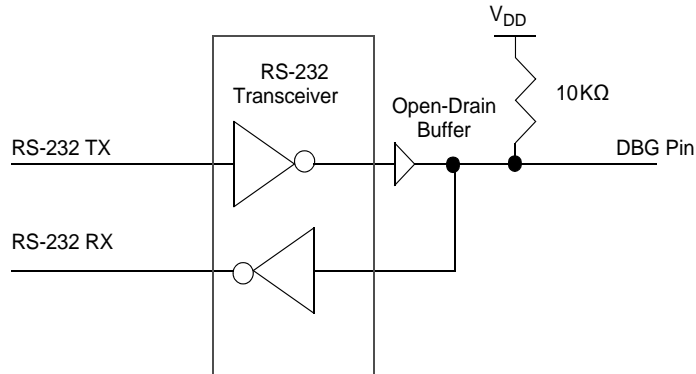


Figure 36. Interfacing the On-Chip Debugger's DBG Pin with an RS-232 Interface, #2 of 2

## Debug Mode

The operating characteristics of the Z8 Encore! XP<sup>®</sup> F0822 Series devices in DEBUG Mode are:

- The eZ8 CPU fetch unit stops, idling the eZ8 CPU, unless directed by the OCD to execute specific instructions
- The system clock operates unless in STOP Mode
- All enabled on-chip peripherals operate unless in STOP Mode
- Automatically exits HALT Mode
- Constantly refreshes the Watchdog Timer, if enabled

### Entering Debug Mode

The device enters DEBUG Mode following any of the following operations:

- Writing the DBGMODE bit in the OCD Control Register to 1 using the OCD interface
- eZ8 CPU execution of a breakpoint (BRK) instruction
- Matching of the PC to the OCDCNTR Register (when enabled)
- The OCDCNTR Register decrements to 0000H (when enabled)
- If the DBG pin is Low when the device exits Reset, the OCD automatically places the device into DEBUG Mode

### Exiting Debug Mode

The device exits DEBUG Mode following any of the following operations:

- Clearing the DBGMODE bit in the OCD Control Register to 0
- Power-On Reset
- Voltage Brown-Out reset
- Asserting the RESET pin Low to initiate a Reset
- Driving the DBG pin Low while the device is in STOP Mode initiates a System Reset

### OCD Data Format

The OCD interface uses the asynchronous data format defined for RS-232. Each character is transmitted as 1 start bit, 8 data bits (least-significant bit first), and 1 stop bit; see Figure 37.

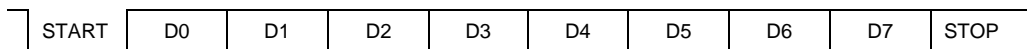


Figure 37. OCD Data Format

### OCD Autobaud Detector/Generator

To run over a range of baud rates (bits per second) with various system clock frequencies, the OCD contains an Autobaud Detector/Generator. After a reset, the OCD is idle until it receives data. The OCD requires that the first character sent from the host is the character 80H. The character 80H has eight continuous bits Low (one start bit plus 7 data bits). The Autobaud Detector measures this period and sets the OCD Baud Rate Generator accordingly.

The Autobaud Detector/Generator is clocked by the system clock. The minimum baud rate is the system clock frequency divided by 512. For optimal operation, the maximum recommended baud rate is the system clock frequency divided by 8. The theoretical maximum baud rate is the system clock frequency divided by 4. This theoretical maximum is possible for low-noise designs with clean signals. Table 92 lists minimum and recommended maximum baud rates for sample crystal frequencies.

**Table 92. OCD Baud-Rate Limits**

| System Clock Frequency (MHz) | Recommended Maximum Baud Rate (Kbps) | Minimum Baud Rate (Kbps) |
|------------------------------|--------------------------------------|--------------------------|
| 20.0                         | 2500                                 | 39.1                     |
| 1.0                          | 125.0                                | 1.96                     |
| 0.032768 (32kHz)             | 4.096                                | 0.064                    |

If the OCD receives a serial break (nine or more continuous bits Low) the Autobaud Detector/Generator resets. The Autobaud Detector/Generator can then be reconfigured by sending 80H.

## OCD Serial Errors

The OCD can detect any of the following error conditions on the DBG pin:

- Serial break (a minimum of nine continuous bits Low)
- Framing error (received stop bit is Low)
- Transmit collision (OCD and host simultaneous transmission detected by the OCD)

When the OCD detects one of these errors, it aborts any command currently in progress, transmits a serial break that is 4096 system clock cycles in duration to the host, and resets the Autobaud Detector/Generator. A framing error or transmit collision can be caused by the host sending a serial break to the OCD. Because of the open-drain nature of the interface, returning a serial break back to the host only extends the length of the serial break if the host releases the serial break early.

The host transmits a serial break on the DBG pin when first connecting to the Z8 Encore! XP<sup>®</sup> F0822 Series device or when recovering from an error. A serial break from the host resets the Autobaud Generator/Detector but does not reset the OCD Control Register. A serial break leaves the device in DEBUG Mode if that is the current mode. The OCD is held in Reset until the end of the serial break when the DBG pin returns High. Because of the open-drain nature of the DBG pin, the host can send a serial break to the OCD even if the OCD is transmitting a character.

## Breakpoints

Execution breakpoints are generated using the BRK instruction (Op Code 00H). When the eZ8 CPU decodes a BRK instruction, it signals the OCD. If breakpoints are enabled, the OCD idles the eZ8 CPU and enters DEBUG Mode. If breakpoints are not enabled, the OCD ignores the BRK signal and the BRK instruction operates as a NOP instruction.

If breakpoints are enabled, the OCD can be configured to automatically enter DEBUG Mode, or to loop on the break instruction. If the OCD is configured to loop on the BRK instruction, then the CPU is still enabled to service DMA and interrupt requests.

The loop on a BRK instruction can be used to service interrupts in the background. For interrupts to be serviced in the background, there cannot be any breakpoints in the ISR. Otherwise, the CPU stops on the breakpoint in the interrupt routine. For interrupts to be serviced in the background, interrupts must also be enabled. Debugging software should not automatically enable interrupts when using this feature, because interrupts are typically disabled during critical sections of code where interrupts should not occur (such as adjusting the stack pointer or modifying shared data).

Software can poll the IDLE bit of the OCDSTAT Register to determine if the OCD is looping on a BRK instruction. When software wants to stop the CPU on the BRK instruction it is looping on, software should not set the DBGMODE bit of the OCDCTL Register. The CPU can have vectored to and be in the middle of an ISR when this bit gets set. Instead, software must clear the BRKLP bit. This allows the CPU to finish the ISR it is in and return the BRK instruction. When the CPU returns to the BRK instruction it was previously looping on, it automatically sets the DBGMODE bit and enter DEBUG Mode.

Software should also note that the majority of the OCD commands are still disabled when the eZ8 CPU is looping on a BRK instruction. The eZ8 CPU must be stopped and the part must be in DEBUG Mode before these commands can be issued.

### Breakpoints in Flash Memory

The BRK instruction is Op Code 00H, which corresponds to the fully programmed state of a byte in Flash memory. To implement a Breakpoint, write 00H to the appropriate address, overwriting the current instruction. To remove a Breakpoint, the corresponding page of Flash memory must be erased and reprogrammed with the original data.

## OCDCNTR Register

The OCD contains a multipurpose 16-bit counter register. It can be used for the following:

- Count system clock cycles between breakpoints
- Generate a BRK when it counts down to zero
- Generate a BRK when its value matches the Program Counter

When configured as a counter, the OCDCNTR Register starts counting when the OCD leaves DEBUG Mode and stops counting when it enters DEBUG Mode again or when it reaches the maximum count of FFFFH. The OCDCNTR Register automatically resets itself to 0000H when the OCD exits DEBUG Mode if it is configured to count clock cycles between breakpoints.



**Caution:** The OCDCNTR Register is used by many of the OCD commands. It counts the number of bytes for the register and memory read/write commands. It holds the residual value when generating the CRC. Therefore, if the OCDCNTR is being used to generate a BRK, its value should be written as a last step before leaving DEBUG Mode.

Because this register is overwritten by various OCD commands, it should only be used to generate temporary breakpoints, such as stepping over CALL instructions or running to a specific instruction and stopping.

## On-Chip Debugger Commands

The host communicates to the OCD by sending OCD commands using the DBG interface. During normal operation, only a subset of the OCD commands are available. In DEBUG Mode, all OCD commands become available unless the user code and control registers are protected by programming the Read Protect option bit (RP). This Read Protect option bit prevents the code in memory from being read out of the Z8 Encore! XP® F0822 Series products. When this option is enabled, several of the OCD commands are disabled. Table 93 contains a summary of the OCD commands. Each OCD command is described further in the bulleted list. It also lists the commands that operate when the device is not in DEBUG Mode (normal operation) and those commands that are disabled by programming the Read Protect option bit.

**Table 93. On-Chip Debugger Commands**

| Debug Command              | Command Byte | Enabled When       |  |
|----------------------------|--------------|--------------------|--|
|                            |              | Not in DEBUG Mode? | Disabled by Read Protect Option Bit  |
| Read OCD Revision          | 00H          | Yes                | –  |
| Write OCD Counter Register | 01H          | –                  | –  |
| Read OCD Status Register   | 02H          | Yes                | –  |
| Read OCD Counter Register  | 03H          | –                  | –  |
| Write OCD Control Register | 04H          | Yes                | Cannot clear DBGMODE bit   |
| Read OCD Control Register  | 05H          | Yes                | –  |
| Write Program Counter      | 06H          | –                  | Disabled   |
| Read Program Counter       | 07H          | –                  | Disabled   |
| Write Register             | 08H          | –                  | Only writes of the peripheral control registers at address F00H–FFH are allowed. Additionally, only the Mass Erase command is allowed to be written to the Flash Control Register. |

**Table 93. On-Chip Debugger Commands (Continued)**

| Debug Command           | Command Byte | Enabled When Not in DEBUG Mode? | Disabled by Read Protect Option Bit   |
|-------------------------|--------------|---------------------------------|---|
| Read Register           | 09H          | –                               | Only reads of the peripheral control registers at address F00H–FFH are allowed. |
| Write Program Memory    | 0AH          | –                               | Disabled  |
| Read Program Memory     | 0BH          | –                               | Disabled  |
| Write Data Memory       | 0CH          | –                               | Disabled  |
| Read Data Memory        | 0DH          | –                               | Disabled  |
| Read Program Memory CRC | 0EH          | –                               | –   |
| Reserved                | 0FH          | –                               | –   |
| Step Instruction        | 10H          | –                               | Disabled  |
| Stuff Instruction       | 11H          | –                               | Disabled  |
| Execute Instruction     | 12H          | –                               | Disabled  |
| Reserved                | 13H–FFH      | –                               | –   |

In the following bulleted list of OCD Commands, data and commands sent from the host to the OCD are identified by  $\text{DBG} \leftarrow \text{Command/Data}$ . Data sent from the OCD back to the host is identified by  $\text{DBG} \rightarrow \text{Data}$ .

**Read OCD Revision (00H).** The Read OCD Revision command determines the version of the OCD. If OCD commands are added, removed, or changed, this revision number changes.

```
DBG ← 00H
DBG → OCDREV[15:8] (Major revision number)
DBG → OCDREV[7:0] (Minor revision number)
```

**Write OCD Counter Register (01H).** The Write OCD Counter Register command writes the data that follows to the OCDCNTR Register. If the device is not in DEBUG Mode, the data is discarded.

```
DBG ← 01H
DBG ← OCDCNTR[15:8]
DBG ← OCDCNTR[7:0]
```

**Read OCD Status Register (02H).** The Read OCD Status Register command reads the OCDSTAT Register.

```
DBG ← 02H
DBG → OCDSTAT[7:0]
```

**Read OCD Counter Register (03H).** The OCD Counter Register can be used to count system clock cycles in between breakpoints, generate a BRK when it counts down to zero,

or generate a BRK when its value matches the Program Counter. Because this register is really a down counter, the returned value is inverted when this register is read so the returned result appears to be an up counter. If the device is not in DEBUG Mode, this command returns FFFFH.

```
DBG ← 03H
DBG → ~OCDNTR[15:8]
DBG → ~OCDNTR[7:0]
```

**Write OCD Control Register (04H).** The Write OCD Control Register command writes the data that follows to the OCDCTL Register. When the Read Protect option bit is enabled, the DBGMODE bit (OCDCTL[7]) can only be set to 1, it cannot be cleared to 0 and the only method of putting the device back into normal operating mode is to reset the device.

```
DBG ← 04H
DBG ← OCDCTL[7:0]
```

**Read OCD Control Register (05H).** The Read OCD Control Register command reads the value of the OCDCTL Register.

```
DBG ← 05H
DBG → OCDCTL[7:0]
```

**Write Program Counter (06H).** The Write Program Counter command writes the data that follows to the eZ8 CPU's Program Counter. If the device is not in DEBUG Mode or if the Read Protect option bit is enabled, the Program Counter values are discarded.

```
DBG ← 06H
DBG ← ProgramCounter[15:8]
DBG ← ProgramCounter[7:0]
```

**Read Program Counter (07H).** The Read Program Counter command reads the value in the eZ8 CPU's Program Counter. If the device is not in DEBUG Mode or if the Read Protect option bit is enabled, this command returns FFFFH.

```
DBG ← 07H
DBG → ProgramCounter[15:8]
DBG → ProgramCounter[7:0]
```

**Write Register (08H).** The Write Register command writes data to the Register File. Data can be written 1-256 bytes at a time (256 bytes can be written by setting size to zero). If the device is not in DEBUG Mode, the address and data values are discarded. If the Read Protect option bit is enabled, then only writes to the Flash Control registers are allowed and all other register write data values are discarded.

```
DBG ← 08H
DBG ← {4'h0, Register Address[11:8]}
DBG ← Register Address[7:0]
DBG ← Size[7:0]
DBG ← 1-256 data bytes
```

**Read Register (09H).** The Read Register command reads data from the Register File. Data can be read 1-256 bytes at a time (256 bytes can be read by setting size to zero). Reading peripheral control registers through the OCD does not effect peripheral operation. For example, register bits that are normally cleared upon a read operation will not be affected (the WDTSTAT Register is affected by the OCD Read Register operation). If the device is not in DEBUG Mode or if the Read Protect option bit is enabled, this command returns FFH for all of the data values.

```
DBG ← 09H
DBG ← {4'h0, Register Address[11:8]}
DBG ← Register Address[7:0]
DBG ← Size[7:0]
DBG → 1-256 data bytes
```

**Write Program Memory (0AH).** The Write Program Memory command writes data to Program memory. This command is equivalent to the LDC and LDCI instructions. Data can be written 1-65536 bytes at a time (65536 bytes can be written by setting size to zero). The on-chip Flash Controller must be written to and unlocked for the programming operation to occur. If the Flash Controller is not unlocked, the data is discarded. If the device is not in DEBUG Mode or if the Read Protect option bit is enabled, the data is discarded.

```
DBG ← 0AH
DBG ← Program Memory Address[15:8]
DBG ← Program Memory Address[7:0]
DBG ← Size[15:8]
DBG ← Size[7:0]
DBG ← 1-65536 data bytes
```

**Read Program Memory (0BH).** The Read Program Memory command reads data from Program memory. This command is equivalent to the LDC and LDCI instructions. Data can be read 1-65536 bytes at a time (65536 bytes can be read by setting size to zero). If the device is not in DEBUG Mode or if the Read Protect option bit is enabled, this command returns FFH for the data.

```
DBG ← 0BH
DBG ← Program Memory Address[15:8]
DBG ← Program Memory Address[7:0]
DBG ← Size[15:8]
DBG ← Size[7:0]
DBG → 1-65536 data bytes
```

**(Flash version only) Write Data Memory (0CH).** The Write Data Memory command writes data to Data Memory. This command is equivalent to the LDE and LDEI instructions. Data can be written 1-65536 bytes at a time (65536 bytes can be written by setting size to 0). If the device is not in DEBUG Mode or if the Read Protect option bit is enabled, the data is discarded.

```
DBG ← 0CH
DBG ← Data Memory Address[15:8]
DBG ← Data Memory Address[7:0]
DBG ← Size[15:8]
```

```
DBG ← Size[7:0]
DBG ← 1-65536 data bytes
```

**Read Data Memory (0DH).** The Read Data Memory command reads from Data Memory. This command is equivalent to the LDE and LDEI instructions. Data can be read 1-65536 bytes at a time (65536 bytes can be read by setting size to 0). If the device is not in DEBUG Mode, this command returns FFH for the data.

```
DBG ← 0DH
DBG ← Data Memory Address[15:8]
DBG ← Data Memory Address[7:0]
DBG ← Size[15:8]
DBG ← Size[7:0]
DBG → 1-65536 data bytes
```

**Read Program Memory CRC (0EH).** The Read Program Memory CRC command computes and returns the CRC (cyclic redundancy check) of Program memory using the 16-bit CRC-CCITT polynomial. If the device is not in DEBUG Mode, this command returns FFFFH for the CRC value. Unlike most other OCD Read commands, there is a delay from issuing of the command until the OCD returns the data. The OCD reads the Program memory, calculates the CRC value, and returns the result. The delay is a function of the Program memory size and is approximately equal to the system clock period multiplied by the number of bytes in the Program memory.

```
DBG ← 0EH
DBG → CRC[15:8]
DBG → CRC[7:0]
```

**Step Instruction (10H).** The Step Instruction command steps one assembly instruction at the current Program Counter location. If the device is not in DEBUG Mode or the Read Protect option bit is enabled, the OCD ignores this command.

```
DBG ← 10H
```

**Stuff Instruction (11H).** The Stuff Instruction command steps one assembly instruction and allows specification of the first byte of the instruction. The remaining 0-4 bytes of the instruction are read from Program memory. This command is useful for stepping over instructions where the first byte of the instruction has been overwritten by a Breakpoint. If the device is not in DEBUG Mode or the Read Protect option bit is enabled, the OCD ignores this command.

```
DBG ← 11H
DBG ← opcode[7:0]
```

**Execute Instruction (12H).** The Execute Instruction command allows sending an entire instruction to be executed to the eZ8 CPU. This command can also step over breakpoints. The number of bytes to send for the instruction depends on the Op Code. If the device is not in DEBUG Mode or the Read Protect option bit is enabled, the OCD ignores this command.

DBG ← 12H  
DBG ← 1-5 byte opcode

## On-Chip Debugger Control Register Definitions

This section describes the features of the On-Chip Debugger Control and Status registers.

### OCD Control Register

The OCD Control Register, shown in Table 94, controls the state of the OCD. This register enters or exits DEBUG Mode and enables the BRK instruction. It can also reset the Z8 Encore! XP<sup>®</sup> F0822 Series device.

A *reset and stop* function can be achieved by writing 81H to this register. A *reset and go* function can be achieved by writing 41H to this register. If the device is in DEBUG Mode, a *run* function can be implemented by writing 40H to this register.

**Table 94. OCD Control Register (OCDCTL)**

| Bit          | 7       | 6     | 5      | 4       | 3     | 2      | 1        | 0   |
|--------------|---------|-------|--------|---------|-------|--------|----------|-----|
| <b>Field</b> | DBGMODE | BRKEN | DBGACK | BRKLOOP | BRKPC | BRKZRO | Reserved | RST |
| <b>RESET</b> | 0       |       |        |         |       |        |          |     |
| <b>R/W</b>   | R/W     |       |        | R       |       |        | R/W      |     |

| Bit            | Description   |
|----------------|---|
| [7]<br>DBGMODE | <b>Debug Mode</b><br>Setting this bit to 1 causes the device to enter DEBUG Mode. When in DEBUG Mode, the eZ8 CPU stops fetching new instructions. Clearing this bit causes the eZ8 CPU to start running again. This bit is automatically set when a BRK instruction is decoded and breakpoints are enabled. If the Read Protect option bit is enabled, this bit can only be cleared by resetting the device, it cannot be written to.<br>0 = The Z8 Encore! XP <sup>®</sup> F0822 Series device is operating in NORMAL Mode.<br>1 = The Z8 Encore! XP <sup>®</sup> F0822 Series device is in DEBUG Mode. |
| [6]<br>BRKEN   | <b>Breakpoint Enable</b><br>This bit controls the behavior of the BRK instruction (Op Code 00H). By default, breakpoints are disabled and the BRK instruction behaves like an NOP instruction. If this bit is set to 1 and a BRK instruction is decoded, the OCD takes action dependent upon the BRKLOOP bit.<br>0 = BRK instruction is disabled.<br>1 = BRK instruction is enabled.  |
| [5]<br>DBGACK  | <b>Debug Acknowledge</b><br>This bit enables the debug acknowledge feature. If this bit is set to 1, then the OCD sends an Debug Acknowledge character (FFH) to the host when a Breakpoint occurs.<br>0 = Debug Acknowledge is disabled.<br>1 = Debug Acknowledge is enabled.   |

| Bit            | Description (Continued)   |
|----------------|---|
| [4]<br>BRKLOOP | <p><b>Breakpoint Loop</b></p> <p>This bit determines what action the OCD takes when a BRK instruction is decoded if breakpoints are enabled (BRKEN is 1). If this bit is 0, then the DBGMODE bit is automatically set to 1 and the OCD enter DEBUG Mode. If BRKLOOP is set to 1, then the eZ8 CPU loops on the BRK instruction.</p> <p>0 = BRK instruction sets DBGMODE to 1.<br/>1 = eZ8 CPU loops on BRK instruction.</p> |
| [3]<br>BRKPC   | <p><b>Break When PC == ODCNTR</b></p> <p>If this bit is set to 1, then the ODCNTR Register is used as a hardware breakpoint. When the program counter matches the value in the ODCNTR Register, DBGMODE is automatically set to 1. If this bit is set, the ODCNTR Register does not count when the CPU is running.</p> <p>0 = ODCNTR is setup as counter.<br/>1 = ODCNTR generates hardware break when PC == ODCNTR.</p>    |
| [2]<br>BRKZRO  | <p><b>Break When ODCNTR == 0000H</b></p> <p>If this bit is set, then the OCD automatically sets the DBGMODE bit when the ODCNTR Register counts down to 0000H. If this bit is set, the ODCNTR Register is not reset when the part leaves DEBUG Mode.</p> <p>0 = OCD does not generate BRK when ODCNTR decrements to 0000H.<br/>1 = OCD sets DBGMODE to 1 when ODCNTR decrements to 0000H.</p>                               |
| [1]            | <p><b>Reserved</b></p> <p>This bit is reserved and must be programmed to 0.</p>   |
| [0]<br>RST     | <p><b>Reset</b></p> <p>Setting this bit to 1 resets the Z8 Encore! XP<sup>®</sup> F0822 Series device. The device goes through a normal POR sequence with the exception that the OCD is not reset. This bit is automatically cleared to 0 when the reset finishes.</p> <p>0 = No effect.<br/>1 = Reset the Z8 Encore! XP<sup>®</sup> F0822 Series device.</p>   |

## OCD Status Register

The OCD Status Register, shown in Table 95, reports status information about the current state of the debugger and the system.

**Table 95. OCD Status Register (OCDSTAT)**

| Bit          | 7    | 6    | 5    | 4        | 3 | 2 | 1 | 0 |
|--------------|------|------|------|----------|---|---|---|---|
| <b>Field</b> | IDLE | HALT | RPEN | Reserved |   |   |   |   |
| <b>RESET</b> | 0    |      |      |          |   |   |   |   |
| <b>R/W</b>   | R    |      |      |          |   |   |   |   |

| Bit         | Description   |
|-------------|---|
| [7]<br>IDLE | <b>CPU Idling</b><br>This bit is set if the part is in DEBUG Mode (DBGMODE is 1), or if a BRK instruction occurred since the last time OCDCTL was written. This can be used to determine if the CPU is running or if it is idling.<br>0 = The eZ8 CPU is running.<br>1 = The eZ8 CPU is either stopped or looping on a BRK instruction. |
| [6]<br>HALT | <b>HALT Mode</b><br>0 = The device is not in HALT Mode.<br>1 = The device is in HALT Mode.  |
| [5]<br>RPEN | <b>Read Protect Option Bit Enabled</b><br>0 = The Read Protect option bit is disabled (1).<br>1 = The Read Protect option bit is enabled (0), disabling many OCD commands.  |
| [4:0]       | <b>Reserved</b><br>These bits are reserved and must be programmed to 00000.   |

## On-Chip Oscillator

Z8 Encore! XP<sup>®</sup> F0822 Series products feature an on-chip oscillator for use with external crystals with frequencies from 32kHz to 20MHz. In addition, the oscillator can support external RC networks with oscillation frequencies up to 4MHz or ceramic resonators with oscillation frequencies up to 20MHz. This oscillator generates the primary system clock for the internal eZ8 CPU and the majority of the on-chip peripherals. Alternatively, the X<sub>IN</sub> input pin can also accept a CMOS-level clock input signal (32kHz–20MHz). If an external clock generator is used, the X<sub>OUT</sub> pin must remain unconnected.

When configured for use with crystal oscillators or external clock drivers, the frequency of the signal on the X<sub>IN</sub> input pin determines the frequency of the system clock (that is, no internal clock divider). In RC operation, the system clock is driven by a clock divider (divide by 2) to ensure 50% duty cycle.

### Operating Modes

Z8 Encore! XP<sup>®</sup> F0822 Series products support 4 different oscillator modes:

- On-chip oscillator configured for use with external RC networks (<4MHz)
- Minimum power for use with very-low-frequency crystals (32kHz to 1.0MHz)
- Medium power for use with medium frequency crystals or ceramic resonators (0.5MHz to 10.0MHz)
- Maximum power for use with high-frequency crystals or ceramic resonators (8.0MHz to 20.0MHz)

The oscillator mode is selected through user-programmable option bits. For more information, see the [Option Bits](#) chapter on page 155.

### Crystal Oscillator Operation

Figure 38 displays a recommended configuration for connection with an external fundamental-mode, parallel-resonant crystal operating at 20MHz. Recommended 20MHz crystal specifications are provided in Table 96. Resistor R1 is optional and limits total power dissipation by the crystal. The printed circuit board layout must add no more than 4pF of stray capacitance to either the X<sub>IN</sub> or X<sub>OUT</sub> pins. If oscillation does not occur, reduce the values of capacitors C1 and C2 to decrease loading.

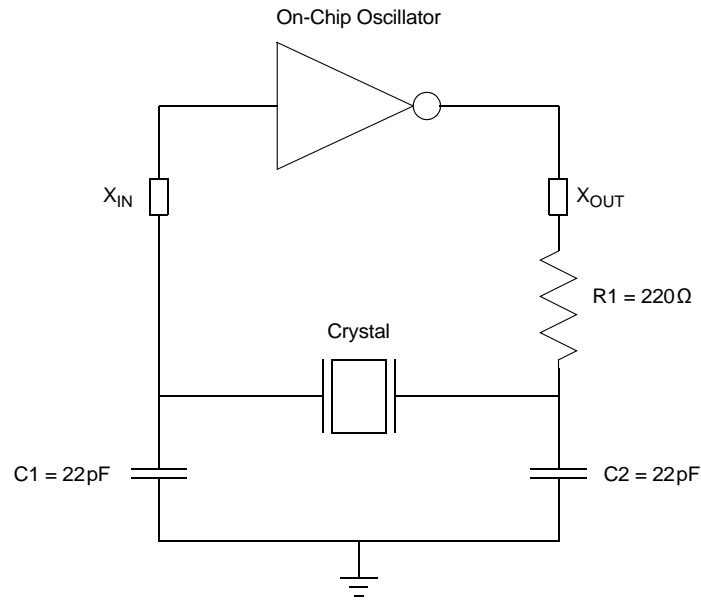


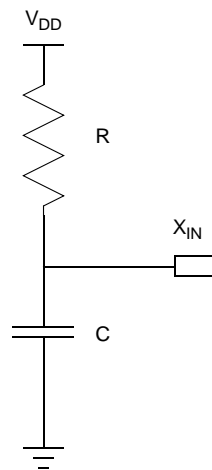
Figure 38. Recommended 20MHz Crystal Oscillator Configuration

Table 96. Recommended Crystal Oscillator Specifications (20MHz Operation)

| Parameter                   | Value       | Units    | Comments |
|-----------------------------|-------------|----------|----------|
| Frequency                   | 20          | MHz      |          |
| Resonance                   | Parallel    |          |          |
| Mode                        | Fundamental |          |          |
| Series Resistance ( $R_S$ ) | 25          | $\Omega$ | Maximum  |
| Load Capacitance ( $C_L$ )  | 20          | pF       | Maximum  |
| Shunt Capacitance ( $C_0$ ) | 7           | pF       | Maximum  |
| Drive Level                 | 1           | mW       | Maximum  |

## Oscillator Operation with an External RC Network

The External RC oscillator mode is applicable to timing insensitive applications. Figure 39 displays a recommended configuration for connection with an external resistor-capacitor (RC) network.



**Figure 39. Connecting the On-Chip Oscillator to an External RC Network**

An external resistance value of 45 kΩ is recommended for oscillator operation with an external RC network. The minimum resistance value to ensure operation is 40 kΩ. The typical oscillator frequency can be estimated from the values of the resistor (*R* in kΩ) and capacitor (*C* in pF) elements using the below equation:

$$\text{Oscillator Frequency (kHz)} = \frac{1 \times 10^6}{(0.4 \times R \times C) + (4 \times C)}$$

Figure 40 displays the typical (3.3V and 25°C) oscillator frequency as a function of the capacitor (*C* in pF) employed in the RC network assuming a 45 kΩ external resistor. For very small values of *C*, the parasitic capacitance of the oscillator X<sub>IN</sub> pin and the printed circuit board should be included in the estimation of the oscillator frequency.

It is possible to operate the RC oscillator using only the parasitic capacitance of the package and printed circuit board. To minimize sensitivity to external parasites, external capacitance values in excess of 20pF are recommended.

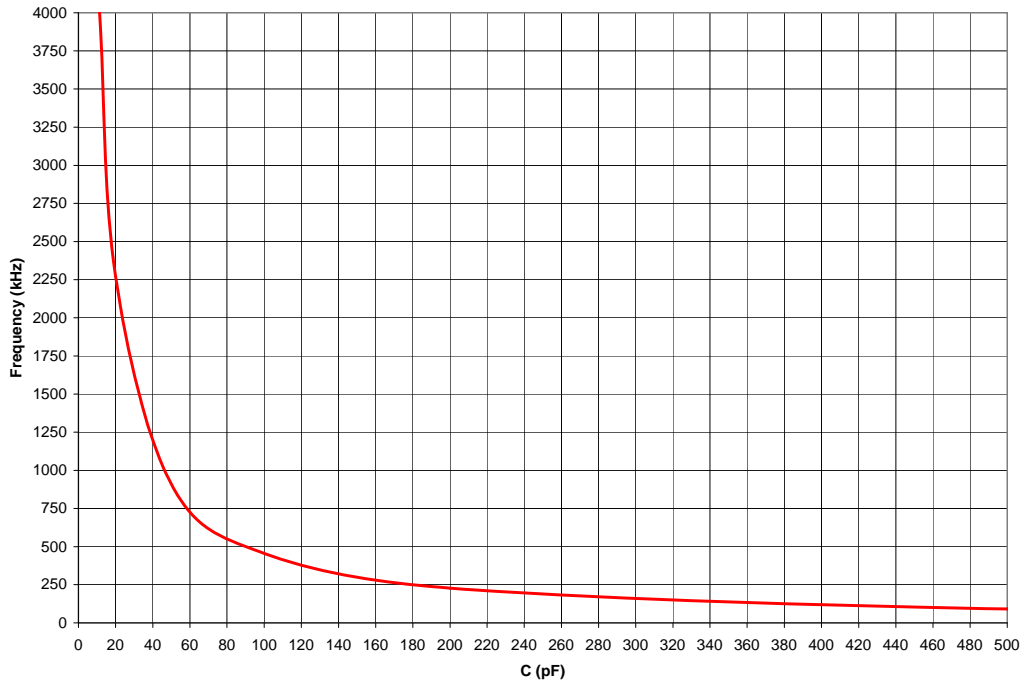


Figure 40. Typical RC Oscillator Frequency as a Function of External Capacitance with a 45kΩ Resistor



**Caution:** When using the external RC oscillator mode, the oscillator can stop oscillating if the power supply drops below 2.7V, but before the power supply drops to the Voltage Brown-Out threshold. The oscillator resumes oscillation when the supply voltage exceeds 2.7V.

## Electrical Characteristics

The data in this chapter represents all known data prior to qualification and characterization of the Z8 Encore! XP<sup>®</sup> F0822 Series of products, and is therefore subject to change. Additional electrical characteristics may be found in the individual chapters of this document.

### Absolute Maximum Ratings

These ratings are stress ratings only. Operation of the device at any condition outside those indicated in the operational sections of these specifications is not implied. Exposure to absolute maximum rating conditions for extended periods can affect device reliability. For improved reliability, unused inputs must be tied to one of the supply voltages ( $V_{DD}$  or  $V_{SS}$ ).



**Caution:** Stresses greater than those listed in Table 97 can cause permanent damage to the device.

**Table 97. Absolute Maximum Ratings**

| Parameter   | Minimum | Maximum | Units | Notes |
|---|---------|---------|-------|-------|
| Ambient temperature under bias                              | -40     | +105    | °C    | 1     |
| Storage temperature   | -65     | +150    | °C    |       |
| Voltage on any pin with respect to $V_{SS}$                 | -0.3    | +5.5    | V     | 2     |
| Voltage on $AV_{SS}$ pin with respect to $V_{SS}$           | -0.3    | +0.3    | V     | 2     |
| Voltage on $V_{DD}$ pin with respect to $V_{SS}$            | -0.3    | +3.6    | V     |       |
| Voltage on $AV_{DD}$ pin with respect to $V_{DD}$           | -0.3    | +0.3    | V     |       |
| Maximum current on input and/or inactive output pin         | -5      | +5      | μA    |       |
| Maximum output current from active output pin               | -25     | +25     | mA    |       |
| <b>20-pin SSOP Package Maximum Ratings at -40°C to 70°C</b> |         |         |       |       |
| Total power dissipation                                     |         | 430     | mW    |       |
| Maximum current into $V_{DD}$ or out of $V_{SS}$            |         | 120     | mA    |       |

Note: This voltage applies to all pins except the following:  $V_{DD}$ ,  $AV_{DD}$ ,  $V_{REF}$ , pins that support analog input (Port B), and where otherwise noted.

**Table 97. Absolute Maximum Ratings (Continued)**

| Parameter   | Minimum | Maximum | Units | Notes |
|---|---------|---------|-------|-------|
| <b>20-pin SSOP Package Maximum Ratings at 70°C to 105°C</b>   |         |         |       |       |
| Total power dissipation   |         | 250     | mW    |       |
| Maximum current into $V_{DD}$ or out of $V_{SS}$  |         | 69      | mA    |       |
| <b>20-pin PDIP Package Maximum Ratings at -40°C to 70°C</b>   |         |         |       |       |
| Total power dissipation   |         | 775     | mW    |       |
| Maximum current into $V_{DD}$ or out of $V_{SS}$  |         | 215     | mA    |       |
| <b>20-pin PDIP Package Maximum Ratings at 70°C to 105°C</b>   |         |         |       |       |
| Total power dissipation   |         | 285     | mW    |       |
| Maximum current into $V_{DD}$ or out of $V_{SS}$  |         | 79      | mA    |       |
| <b>28-pin SOIC Package Maximum Ratings at -40°C to 70°C</b>   |         |         |       |       |
| Total power dissipation   |         | 450     | mW    |       |
| Maximum current into $V_{DD}$ or out of $V_{SS}$  |         | 125     | mA    |       |
| <b>28-pin SOIC Package Maximum Ratings at 70°C to 105°C</b>   |         |         |       |       |
| Total power dissipation   |         | 260     | mW    |       |
| Maximum current into $V_{DD}$ or out of $V_{SS}$  |         | 73      | mA    |       |
| <b>28-pin PDIP Package Maximum Ratings at -40°C to 70°C</b>   |         |         |       |       |
| Total power dissipation   |         | 1100    | mW    |       |
| Maximum current into $V_{DD}$ or out of $V_{SS}$  |         | 305     | mA    |       |
| <b>28-pin PDIP Package Maximum Ratings at 70°C to 105°C</b>   |         |         |       |       |
| Total power dissipation   |         | 400     | mW    |       |
| Maximum current into $V_{DD}$ or out of $V_{SS}$  |         | 110     | mA    |       |
| Note: This voltage applies to all pins except the following: $V_{DD}$ , $AV_{DD}$ , $V_{REF}$ , pins that support analog input (Port B), and where otherwise noted. |         |         |       |       |

## DC Characteristics

Table 98 lists the DC characteristics of the Z8 Encore! XP<sup>®</sup> F0822 Series products. All voltages are referenced to  $V_{SS}$ , the primary system ground.

**Table 98. DC Characteristics**

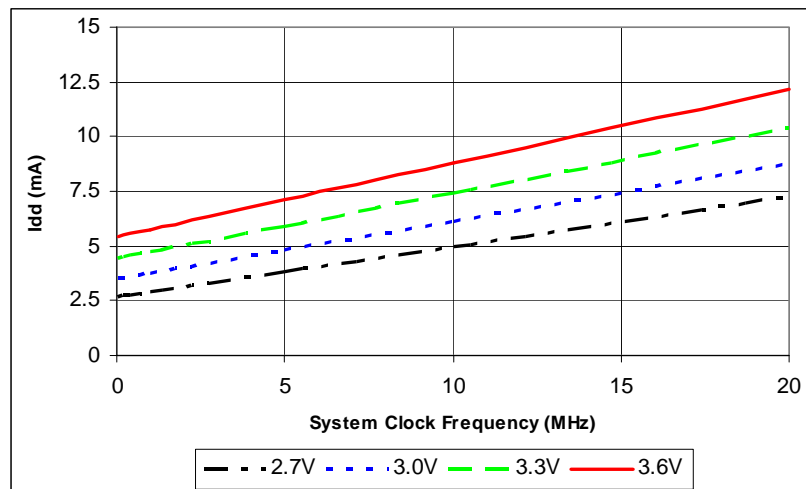
| Symbol    | Parameter                            | $T_A = -40^{\circ}\text{C to } 105^{\circ}\text{C}$ |         |                    | Units         | Conditions  |
|-----------|--------------------------------------|---|---------|--------------------|---------------|---|
|           |                                      | Minimum   | Typical | Maximum            |               |   |
| $V_{DD}$  | Supply Voltage                       | 2.7   | –       | 3.6                | V             |   |
| $V_{IL1}$ | Low Level Input Voltage              | -0.3  | –       | $0.3 \cdot V_{DD}$ | V             | For all input pins except $\overline{\text{RESET}}$ , $\overline{\text{DBG}}$ , and $X_{IN}$ .  |
| $V_{IL2}$ | Low Level Input Voltage              | -0.3  | –       | $0.2 \cdot V_{DD}$ | V             | For $\overline{\text{RESET}}$ , $\overline{\text{DBG}}$ , and $X_{IN}$ .  |
| $V_{IH1}$ | High Level Input Voltage             | $0.7 \cdot V_{DD}$                                  | –       | 5.5                | V             | Ports A and C pins when their programmable pull-ups are disabled.   |
| $V_{IH2}$ | High Level Input Voltage             | $0.7 \cdot V_{DD}$                                  | –       | $V_{DD} + 0.3$     | V             | Port B pins. Ports A and C pins when their programmable pull-ups are enabled.   |
| $V_{IH3}$ | High Level Input Voltage             | $0.8 \cdot V_{DD}$                                  | –       | $V_{DD} + 0.3$     | V             | $\overline{\text{RESET}}$ , $\overline{\text{DBG}}$ , and $X_{IN}$ pins.  |
| $V_{OL1}$ | Low Level Output Voltage             | –   | –       | 0.4                | V             | $I_{OL} = 2 \text{ mA}$ ; $V_{DD} = 3.0\text{V}$<br>High Output Drive disabled.   |
| $V_{OH1}$ | High Level Output Voltage            | 2.4   | –       | –                  | V             | $I_{OH} = -2 \text{ mA}$ ; $V_{DD} = 3.0\text{V}$<br>High Output Drive disabled.  |
| $V_{OL2}$ | Low Level Output Voltage High Drive  | –   | –       | 0.6                | V             | $I_{OL} = 20 \text{ mA}$ ; $V_{DD} = 3.3\text{V}$<br>High Output Drive enabled<br>$T_A = -40^{\circ}\text{C to } +70^{\circ}\text{C}$   |
| $V_{OH2}$ | High Level Output Voltage High Drive | 2.4   | –       | –                  | V             | $I_{OH} = -20 \text{ mA}$ ; $V_{DD} = 3.3\text{V}$<br>High Output Drive enabled;<br>$T_A = -40^{\circ}\text{C to } +70^{\circ}\text{C}$ |
| $V_{OL3}$ | Low Level Output Voltage High Drive  | –   | –       | 0.6                | V             | $I_{OL} = 15\text{mA}$ ; $V_{DD} = 3.3\text{V}$<br>High Output Drive enabled;<br>$T_A = +70^{\circ}\text{C to } +105^{\circ}\text{C}$   |
| $V_{OH3}$ | High Level Output Voltage High Drive | 2.4   | –       | –                  | V             | $I_{OH} = 15 \text{ mA}$ ; $V_{DD} = 3.3\text{V}$<br>High Output Drive enabled;<br>$T_A = +70^{\circ}\text{C to } +105^{\circ}\text{C}$ |
| $V_{RAM}$ | RAM Data Retention                   | 0.7   | –       | –                  | V             |   |
| $I_{IL}$  | Input Leakage Current                | -5  | –       | +5                 | $\mu\text{A}$ | $V_{DD} = 3.6\text{V}$ ;<br>$V_{IN} = V_{DD}$ or $V_{SS}$ <sup>1</sup>  |

**Table 98. DC Characteristics (Continued)**

| $T_A = -40^{\circ}\text{C to } 105^{\circ}\text{C}$ |                           |         |         |         |               |  |
|---|---------------------------|---------|---------|---------|---------------|--|
| Symbol  | Parameter                 | Minimum | Typical | Maximum | Units         | Conditions   |
| $I_{TL}$  | Tri-State Leakage Current | -5      | -       | +5      | $\mu\text{A}$ | $V_{DD} = 3.6\text{ V}$  |
| $C_{PAD}$   | GPIO Port Pad Capacitance | -       | $8.0^2$ | -       | pF            |  |
| $C_{XIN}$   | $X_{IN}$ Pad Capacitance  | -       | $8.0^2$ | -       | pF            |  |
| $C_{XOUT}$  | $X_{OUT}$ Pad Capacitance | -       | $9.5^2$ | -       | pF            |  |
| $I_{PU1}$   | Weak Pull-up Current      | 9       | 20      | 50      | $\mu\text{A}$ | $V_{DD} = 2.7\text{--}3.6\text{V}$<br>$T_A = 0^{\circ}\text{C to } +70^{\circ}\text{C}$    |
| $I_{PU2}$   | Weak Pull-up Current      | 7       | 20      | 75      | $\mu\text{A}$ | $V_{DD} = 2.7\text{--}3.6\text{V}$<br>$T_A = -40^{\circ}\text{C to } +105^{\circ}\text{C}$ |

Note: <sup>1</sup> This condition excludes all pins that have on-chip pull-ups, when driven Low.  
Note: <sup>2</sup> These values are provided for design guidance only and are not tested in production.

Figure 41 displays the typical active mode current consumption while operating at 25°C, 3.3V, plotted opposite the system clock frequency. All GPIO pins are configured as outputs and driven High.



**Figure 41. Typical Active Mode  $I_{DD}$  vs. System Clock Frequency**

Figure 42 displays the maximum active mode current consumption across the full operating temperature range of the device and plotted opposite the system clock frequency. All GPIO pins are configured as outputs and driven High.

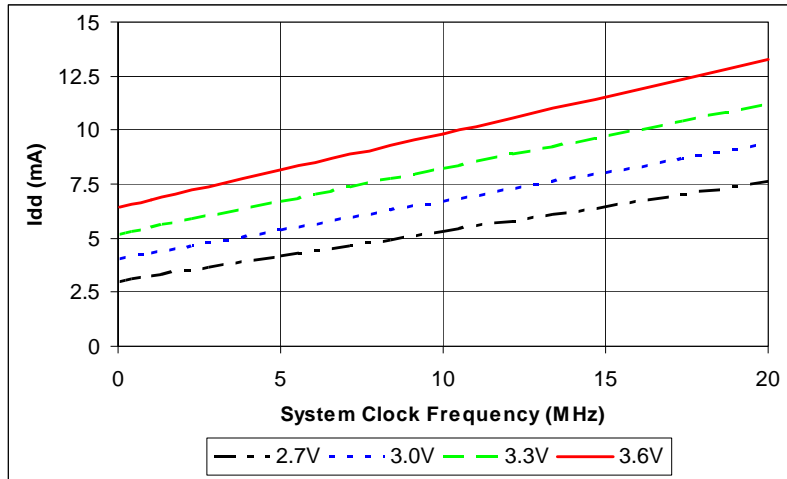


Figure 42. Maximum Active Mode I<sub>DD</sub> vs. System Clock Frequency

Figure 43 displays the typical current consumption in HALT Mode while operating at 25°C plotted opposite the system clock frequency. All GPIO pins are configured as outputs and driven High.

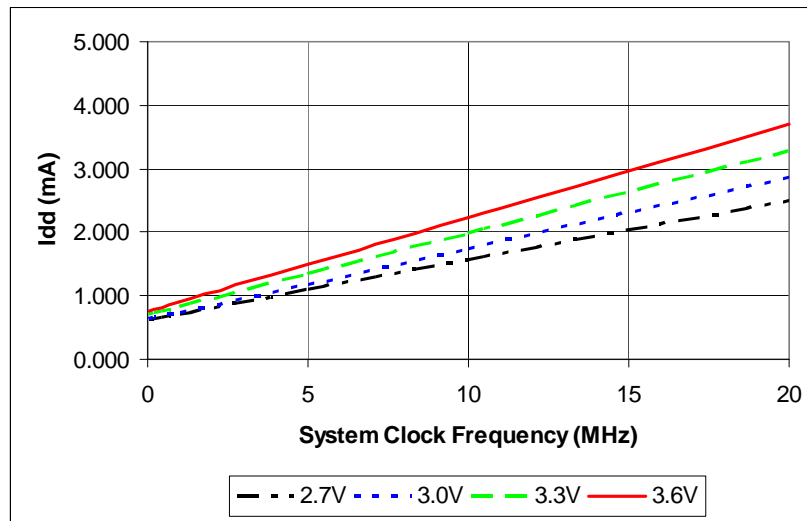


Figure 43. Typical HALT Mode I<sub>DD</sub> vs. System Clock Frequency

Figure 44 displays the maximum HALT Mode current consumption across the entire operating temperature range of the device and plotted opposite the system clock frequency. All GPIO pins are configured as outputs and driven High.

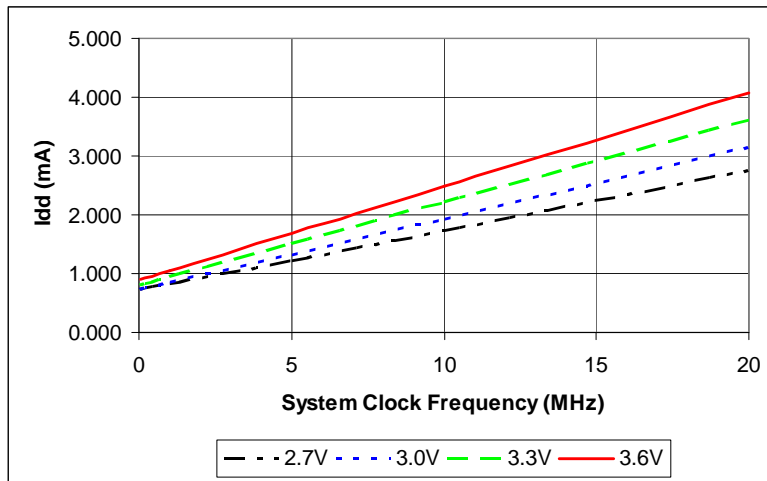


Figure 44. Maximum HALT Mode I<sub>CC</sub> vs. System Clock Frequency

Figure 45 displays the maximum current consumption in STOP Mode with the VBO and Watchdog Timer enabled plotted opposite the power supply voltage. All GPIO pins are configured as outputs and driven High.

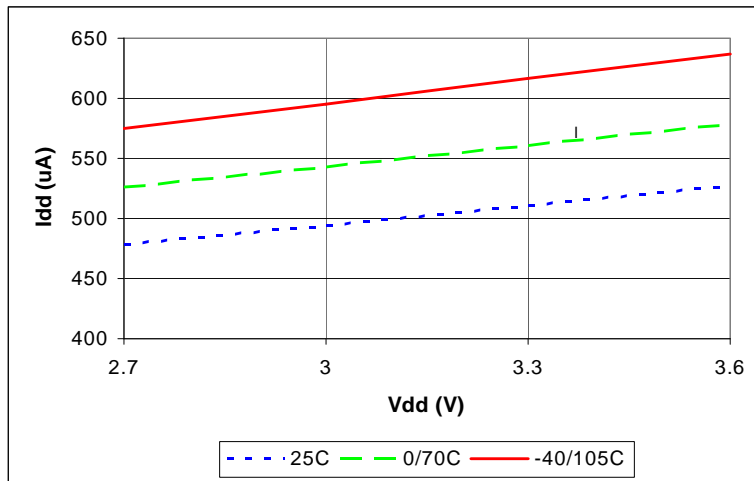


Figure 45. Maximum STOP Mode I<sub>DD</sub> with VBO Enabled vs. Power Supply Voltage

Figure 46 displays the maximum current consumption in STOP Mode with the VBO disabled and Watchdog Timer enabled plotted opposite the power supply voltage. All GPIO pins are configured as outputs and driven High. Disabling the Watchdog Timer and its internal RC oscillator in STOP Mode will provide some additional reduction in STOP Mode current consumption. This small current reduction is indistinguishable on the scale of Figure 46.

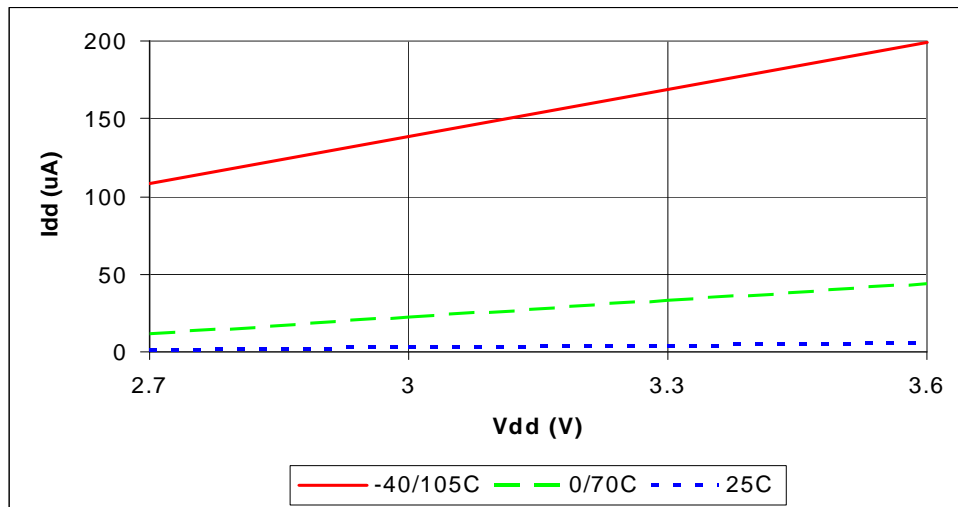


Figure 46. Maximum STOP Mode I<sub>DD</sub> with VBO Disabled vs. Power Supply Voltage

## AC Characteristics

Table 99 provides information about the AC characteristics and timing. All AC timing information assumes a standard load of 50pF on all outputs.

**Table 99. AC Characteristics**

| Symbol       | Parameter                      | $V_{DD} = 2.7-3.6V$<br>$T_A = -40^{\circ}C$ to $105^{\circ}C$ |         | Units | Conditions  |
|--------------|--------------------------------|---|---------|-------|---|
|              |                                | Minimum   | Maximum |       |   |
| $F_{SYSCLK}$ | System Clock Frequency (ROM)   | –   | 20.0    | MHz   |   |
| $F_{SYSCLK}$ | System Clock Frequency (Flash) | –   | 20.0    | MHz   | Read-only from Flash memory.  |
|              |                                | 0.032768  | 20.0    | MHz   | Program or erasure of Flash memory.   |
| $F_{XTAL}$   | Crystal Oscillator Frequency   | 0.032768  | 20.0    | MHz   | System clock frequencies below the crystal oscillator minimum require an external clock driver. |
| $T_{XIN}$    | System Clock Period            | 50  | –       | ns    | $T_{CLK} = 1/F_{SYSCLK}$  |
| $T_{XINH}$   | System Clock High Time         | 20  | 30      | ns    | $T_{CLK} = 50ns$  |
| $T_{XINL}$   | System Clock Low Time          | 20  | 30      | ns    | $T_{CLK} = 50ns$  |

## On-Chip Peripheral AC and DC Electrical Characteristics

Table 100 provides information about the Power-On Reset and Voltage Brown-Out electrical characteristics.

**Table 100. Power-On Reset and Voltage Brown-Out Electrical Characteristics and Timing**

| Symbol            | Parameter   | T <sub>A</sub> = -40°C to 105°C |                 |         | Units | Conditions   |
|-------------------|---|---------------------------------|-----------------|---------|-------|--|
|                   |   | Minimum                         | Typical*        | Maximum |       |  |
| V <sub>POR</sub>  | Power-On Reset Voltage Threshold  | 2.15                            | 2.40            | 2.60    | V     | V <sub>DD</sub> = V <sub>POR</sub>   |
| V <sub>VBO</sub>  | Voltage Brown-Out Reset Voltage Threshold   | 2.05                            | 2.30            | 2.55    | V     | V <sub>DD</sub> = V <sub>VBO</sub>   |
|                   | V <sub>POR</sub> to V <sub>VBO</sub> hysteresis   | 50                              | 100             | –       | mV    |  |
|                   | Starting V <sub>DD</sub> voltage to ensure valid POR  | –                               | V <sub>SS</sub> | –       | V     |  |
| T <sub>ANA</sub>  | POR Analog Delay  | –                               | 50              | –       | μs    | V <sub>DD</sub> > V <sub>POR</sub> ; T <sub>POR</sub> Digital Reset delay follows T <sub>ANA</sub> |
| T <sub>POR</sub>  | POR Digital Delay   | –                               | 5.0             | –       | ms    | 50 WDT Oscillator cycles (10kHz) + 16 System Clock cycles (20MHz)                                  |
| T <sub>VBO</sub>  | Voltage Brown-Out Pulse Rejection Period  | –                               | 10              | –       | μs    | V <sub>DD</sub> < V <sub>VBO</sub> to generate a Reset.  |
| T <sub>RAMP</sub> | Time for V <sub>DD</sub> to transition from V <sub>SS</sub> to V <sub>POR</sub> to ensure valid Reset | 0.10                            | –               | 100     | ms    |  |

Note: \*Data in the typical column is from characterization at 3.3 V and 25°C. These values are provided for design guidance only and are not tested in production.

Table 101 provides information about the external RC oscillator electrical characteristics and timing, and Table 102 provides information about the Flash memory electrical characteristics and timing.

**Table 101. External RC Oscillator Electrical Characteristics and Timing**

|           |  | $T_A = -40^{\circ}\text{C to } 105^{\circ}\text{C}$ |          |         |            |            |
|-----------|--|---|----------|---------|------------|------------|
| Symbol    | Parameter                                      | Minimum   | Typical* | Maximum | Units      | Conditions |
| $V_{DD}$  | Operating Voltage Range                        | 2.70  | –        | –       | V          |            |
| $R_{EXT}$ | External Resistance from $X_{IN}$ to $V_{DD}$  | 40  | 45       | 200     | k $\Omega$ |            |
| $C_{EXT}$ | External Capacitance from $X_{IN}$ to $V_{SS}$ | 0   | 20       | 1000    | pF         |            |
| $F_{OSC}$ | External RC Oscillation Frequency              | –   | –        | 4       | MHz        |            |

Note: \*When using the external RC oscillator mode, the oscillator can stop oscillating if the power supply drops below 2.7V, but before the power supply drops to the voltage brown-out threshold. The oscillator will resume oscillation as soon as the supply voltage exceeds 2.7V.

**Table 102. Flash Memory Electrical Characteristics and Timing**

|  |  | $V_{DD} = 2.7\text{--}3.6\text{V}$<br>$T_A = -40^{\circ}\text{C to } 105^{\circ}\text{C}$ |         |         |               |  |
|--|--|---|---------|---------|---------------|--|
| Parameter                                  |  | Minimum   | Typical | Maximum | Units         | Notes  |
| Flash Byte Read Time                       |  | 50  | –       | –       | $\mu\text{s}$ |  |
| Flash Byte Program Time                    |  | 20  | –       | 40      | $\mu\text{s}$ |  |
| Flash Page Erase Time                      |  | 10  | –       | –       | ms            |  |
| Flash Mass Erase Time                      |  | 200   | –       | –       | ms            |  |
| Writes to Single Address Before Next Erase |  | –   | –       | 2       |               |  |
| Flash Row Program Time                     |  | –   | –       | 8       | ms            | Cumulative program time for single row cannot exceed limit before next erase. This parameter is only an issue when bypassing the Flash Controller. |
| Data Retention                             |  | 100   | –       | –       | years         | 25°C   |
| Endurance                                  |  | 10,000  | –       | –       | cycles        | Program/erase cycles   |

Table 103 lists Reset and Stop Mode Recovery pin timing data; Table 104 lists Watchdog Timer Electrical Characteristics and Timing data.

**Table 103. Reset and Stop Mode Recovery Pin Timing**

|                    |  | $T_A = -40^{\circ}\text{C to }105^{\circ}\text{C}$ |          |         |                  |  |
|--------------------|--|--|----------|---------|------------------|--|
| Symbol             | Parameter                                      | Minimum  | Typical* | Maximum | Units            | Conditions   |
| $T_{\text{RESET}}$ | Reset pin assertion to initiate a System Reset | 4  | –        | –       | $T_{\text{CLK}}$ | Not in STOP Mode.<br>$T_{\text{CLK}}$ = System Clock period. |
| $T_{\text{SMR}}$   | Stop Mode Recovery pin Pulse Rejection Period  | 10   | 20       | 40      | ns               | RESET, DBG and GPIO pins configured as SMR sources.          |

Note: \*When using the external RC oscillator mode, the oscillator can stop oscillating if the power supply drops below 2.7V, but before the power supply drops to the voltage brown-out threshold. The oscillator will resume oscillation as soon as the supply voltage exceeds 2.7V.

**Table 104. Watchdog Timer Electrical Characteristics and Timing**

|                  |   | $V_{\text{DD}} = 2.7\text{--}3.6\text{ V}$<br>$T_A = -40^{\circ}\text{C to }105^{\circ}\text{C}$ |         |         |               |            |
|------------------|---|--|---------|---------|---------------|------------|
| Symbol           | Parameter   | Minimum  | Typical | Maximum | Units         | Conditions |
| $F_{\text{WDT}}$ | WDT Oscillator Frequency                                | 5  | 10      | 20      | kHz           |            |
| $I_{\text{WDT}}$ | WDT Oscillator Current including internal RC oscillator | –  | < 1     | 5       | $\mu\text{A}$ |            |

Figure 47 displays the input frequency response of the ADC.

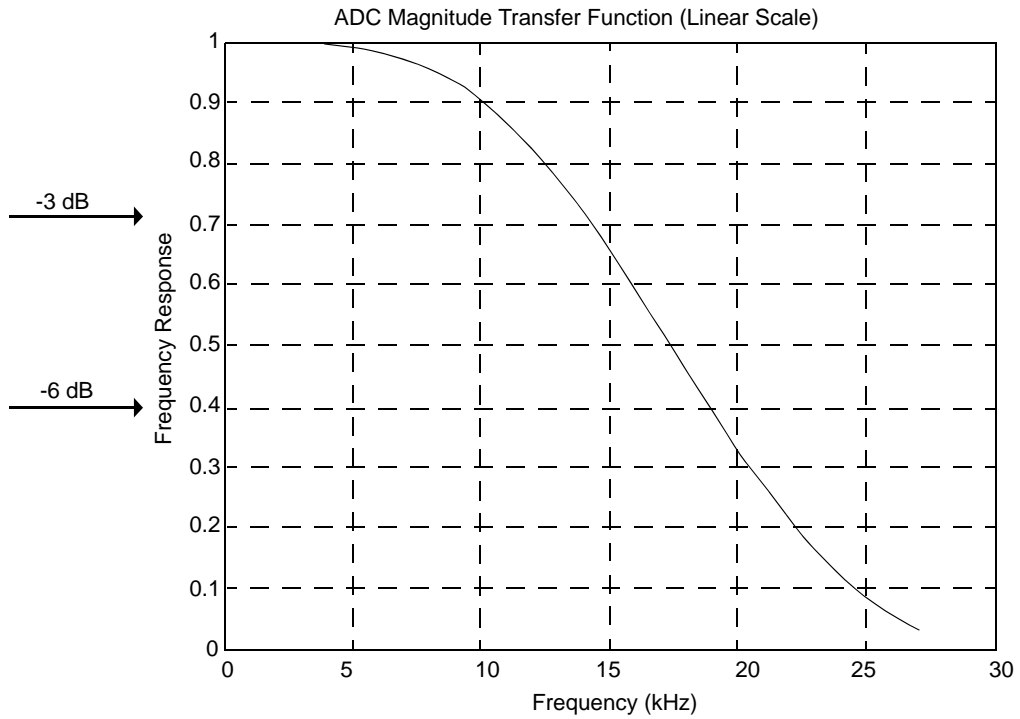


Figure 47. Analog-to-Digital Converter Frequency Response

Table 105 lists ADC electrical characteristics and timing data.

**Table 105. Analog-to-Digital Converter Electrical Characteristics and Timing**

| Symbol     | Parameter  | $V_{DD} = 3.0\text{--}3.6\text{ V}$<br>$T_A = -40^\circ\text{C to }105^\circ\text{C}$ |         |           | Units         | Conditions  |
|------------|--|---|---------|-----------|---------------|---|
|            |  | Minimum   | Typical | Maximum   |               |   |
|            | Resolution   | 10  | –       | –         | bits          | External $V_{REF} = 3.0\text{ V}$   |
|            | Differential Nonlinearity (DNL)                                    | –0.25   | –       | 0.25      | lsb           | Guaranteed by design  |
|            | Integral Nonlinearity (INL)  | –2.0  | –       | 2.0       | lsb           | External $V_{REF} = 3.0\text{ V}$   |
|            | DC Offset Error  | –35   | –       | 25        | mV            | 80-pin QFP and 64-pin LQFP packages.  |
| $V_{REF}$  | Internal Reference Voltage   | 1.9   | 2.0     | 2.4       | V             | $V_{DD} = 3.0\text{--}3.6\text{ V}$<br>$T_A = -40^\circ\text{C to }105^\circ\text{C}$   |
| $VC_{REF}$ | Voltage Coefficient of Internal Reference Voltage                  | –   | 78      | –         | mV/V          | $V_{REF}$ variation as a function of $AV_{DD}$ .  |
| $TC_{REF}$ | Temperature Coefficient of Internal Reference Voltage              | –   | 1       | –         | mV/°C         |   |
|            | Single-Shot Conversion Period                                      |   | 5129    |           | cycles        | System clock cycles   |
|            | Continuous Conversion Period                                       |   | 256     |           | cycles        | System clock cycles   |
| $R_S$      | Analog Source Impedance  | –   | –       | 150       | $\Omega$      | Recommended   |
| $Z_{in}$   | Input Impedance  |   | 150     |           | K $\Omega$    | 20MHz system clock. Input impedance increases with lower system clock frequency.  |
| $V_{REF}$  | External Reference Voltage   |   |         | $AV_{DD}$ | V             | $AV_{DD} \leq V_{DD}$ . When using an external reference voltage, decoupling capacitance should be placed from $V_{REF}$ to $AV_{SS}$ . |
| $I_{REF}$  | Current draw into $V_{REF}$ pin when driving with external source. |   | 25.0    | 40.0      | $\mu\text{A}$ |   |

## General Purpose I/O Port Input Data Sample Timing

Figure 48 displays timing of the GPIO Port input sampling. Table 106 lists the GPIO port input timing.

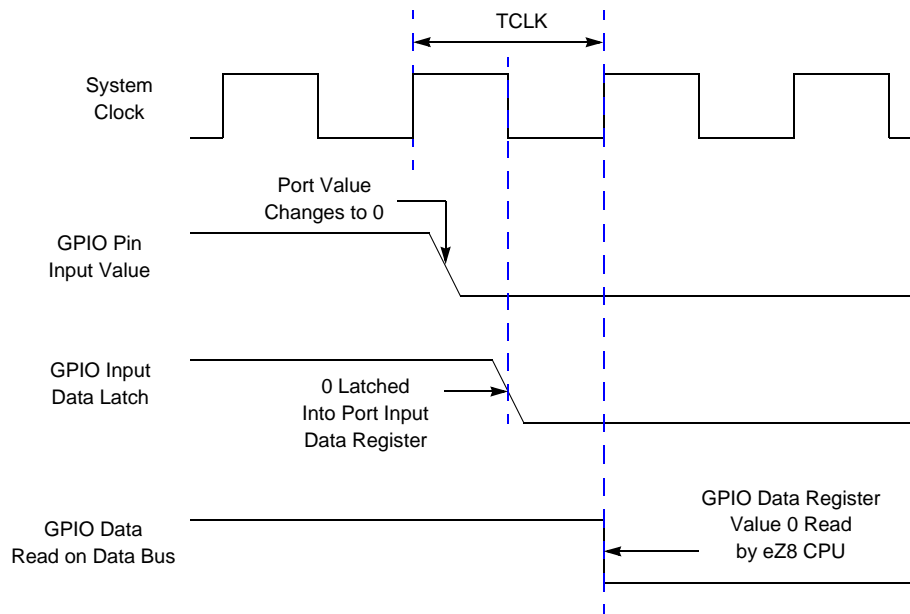


Figure 48. Port Input Sample Timing

Table 106. GPIO Port Input Timing

| Parameter     | Abbreviation   | Delay (ns) |         |
|---------------|--|------------|---------|
|               |  | Minimum    | Maximum |
| $T_{S\_PORT}$ | Port Input Transition to $X_{IN}$ Fall Setup Time (not pictured)                                   | 5          | –       |
| $T_{H\_PORT}$ | $X_{IN}$ Fall to Port Input Transition Hold Time (not pictured)                                    | 5          | –       |
| $T_{SMR}$     | GPIO Port Pin Pulse Width to Insure Stop Mode Recovery (for GPIO port pins enabled as SMR sources) | 1 $\mu$ s  |         |

## General Purpose I/O Port Output Timing

Figure 49 and Table 107 provide timing information for GPIO port pins.

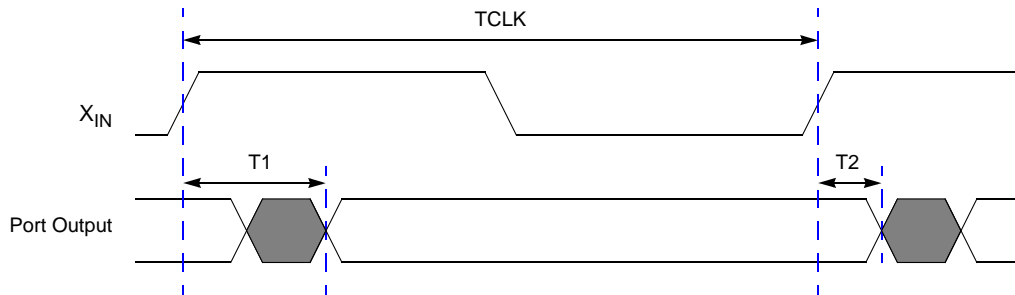


Figure 49. GPIO Port Output Timing

Table 107. GPIO Port Output Timing

| Parameter             | Abbreviation                             | Delay (ns) |         |
|-----------------------|--|------------|---------|
|                       |  | Minimum    | Maximum |
| <b>GPIO Port Pins</b> |  |            |         |
| $T_1$                 | $X_{IN}$ Rise to Port Output Valid Delay | –          | 15      |
| $T_2$                 | $X_{IN}$ Rise to Port Output Hold Time   | 2          | –       |

## On-Chip Debugger Timing

Figure 50 and Table 108 provide timing information for the DBG pin. The DBG pin timing specifications assume a 4 $\mu$ s maximum rise and fall time.

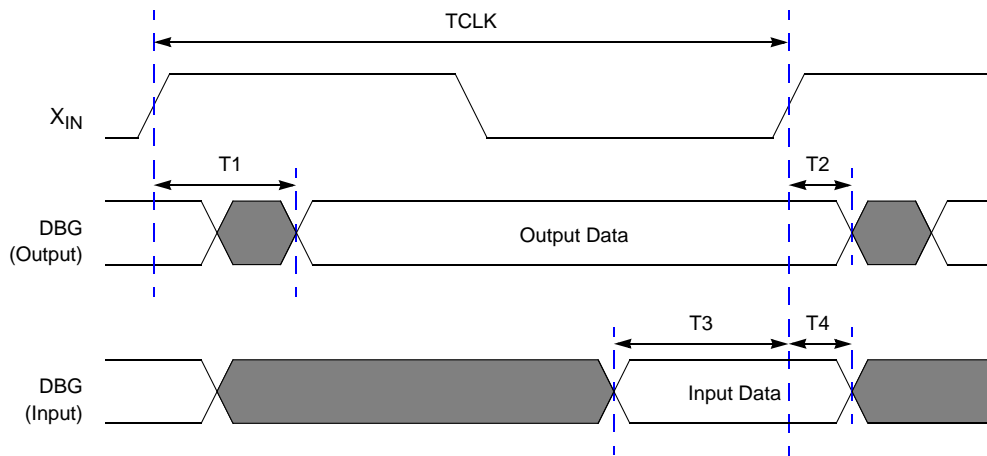


Figure 50. On-Chip Debugger Timing

Table 108. On-Chip Debugger Timing

| Parameter      | Abbreviation                                 | Delay (ns) |                |
|----------------|--|------------|----------------|
|                |  | Minimum    | Maximum        |
| <b>DBG</b>     |  |            |                |
| T <sub>1</sub> | X <sub>IN</sub> Rise to DBG Valid Delay      | –          | 15             |
| T <sub>2</sub> | X <sub>IN</sub> Rise to DBG Output Hold Time | 2          | –              |
| T <sub>3</sub> | DBG to X <sub>IN</sub> Rise Input Setup Time | 10         | –              |
| T <sub>4</sub> | DBG to X <sub>IN</sub> Rise Input Hold Time  | 5          | –              |
|                | DBG frequency                                |            | System Clock/4 |

## SPI MASTER Mode Timing

Figure 51 and Table 109 provide timing information for SPI MASTER Mode pins. Timing is shown with SCK rising edge used to source MOSI output data, SCK falling edge used to sample MISO input data. Timing on the SS output pin(s) is controlled by software.

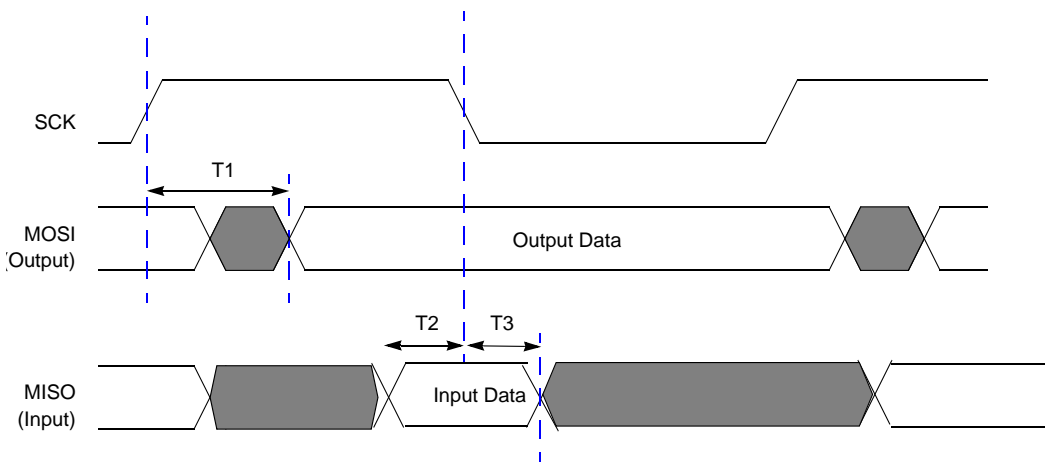


Figure 51. SPI MASTER Mode Timing

Table 109. SPI MASTER Mode Timing

| Parameter         | Abbreviation                                | Delay (ns) |         |
|-------------------|---|------------|---------|
|                   |   | Minimum    | Maximum |
| <b>SPI MASTER</b> |   |            |         |
| T <sub>1</sub>    | SCK Rise to MOSI output Valid Delay         | -5         | +5      |
| T <sub>2</sub>    | MISO input to SCK (receive edge) Setup Time | 20         |         |
| T <sub>3</sub>    | MISO input to SCK (receive edge) Hold Time  | 0          |         |

## SPI SLAVE Mode Timing

Figure 52 and Table 110 provide timing information for the SPI SLAVE Mode pins. Timing is shown with SCK rising edge used to source MISO output data, SCK falling edge used to sample MOSI input data.

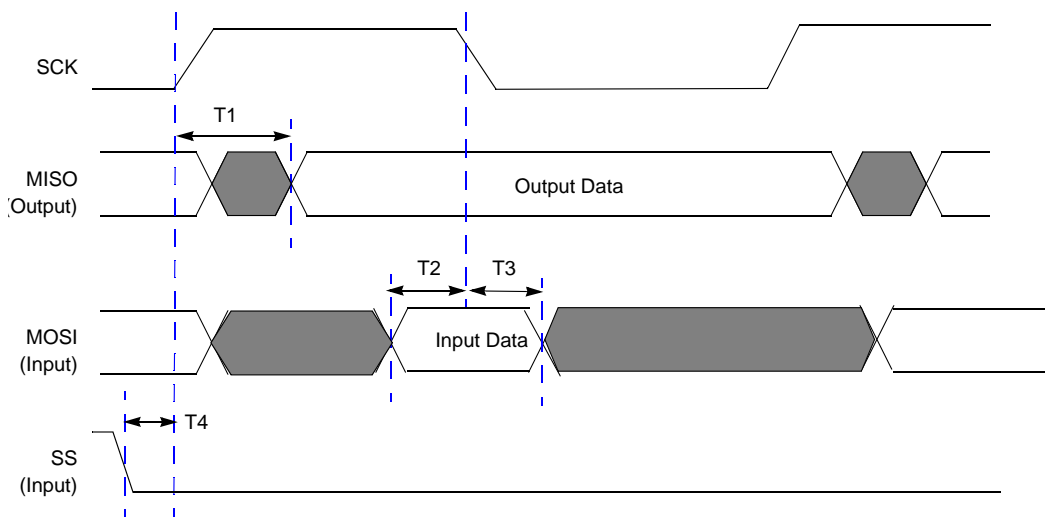


Figure 52. SPI SLAVE Mode Timing

Table 110. SPI SLAVE Mode Timing

| Parameter        | Abbreviation                                   | Delay (ns)                 |                                   |
|------------------|--|----------------------------|-----------------------------------|
|                  |  | Minimum                    | Maximum                           |
| <b>SPI SLAVE</b> |  |                            |                                   |
| T <sub>1</sub>   | SCK (transmit edge) to MISO output Valid Delay | 2 * X <sub>IN</sub> period | 3 * X <sub>IN</sub> period + 20ns |
| T <sub>2</sub>   | MOSI input to SCK (receive edge) Setup Time    | 0                          |                                   |
| T <sub>3</sub>   | MOSI input to SCK (receive edge) Hold Time     | 3 * X <sub>IN</sub> period |                                   |
| T <sub>4</sub>   | SS input assertion to SCK setup                | 1 * X <sub>IN</sub> period |                                   |

## I<sup>2</sup>C Timing

Figure 53 and Table 111 provide timing information for I<sup>2</sup>C pins.

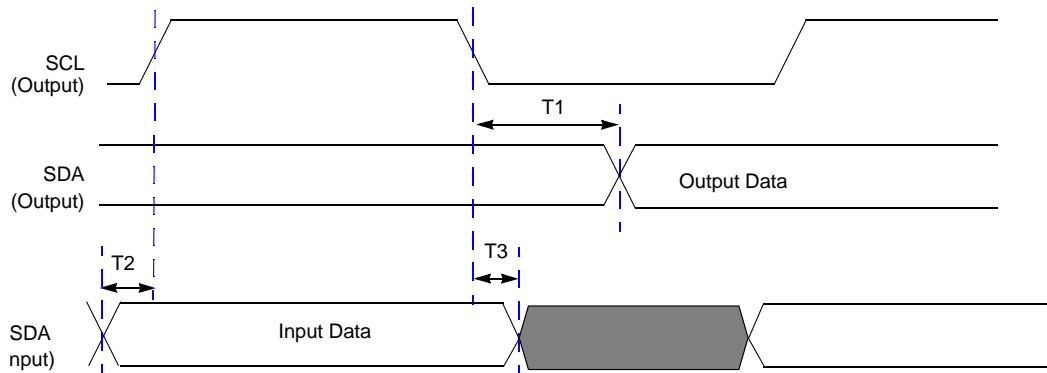


Figure 53. I<sup>2</sup>C Timing

Table 111. I<sup>2</sup>C Timing

| Parameter             | Abbreviation                            | Delay (ns)   |         |
|-----------------------|---|--------------|---------|
|                       |   | Minimum      | Maximum |
| <b>I<sup>2</sup>C</b> |   |              |         |
| T <sub>1</sub>        | SCL Fall to SDA output delay            | SCL period/4 |         |
| T <sub>2</sub>        | SDA Input to SCL rising edge Setup Time | 0            |         |
| T <sub>3</sub>        | SDA Input to SCL falling edge Hold Time | 0            |         |

## UART Timing

Figure 54 and Table 112 provide timing information for UART pins for the case where the Clear To Send input pin ( $\overline{\text{CTS}}$ ) is used for flow control. In this example, it is assumed that the Driver Enable polarity has been configured to be Active Low and is represented here by  $\overline{\text{DE}}$ . The  $\overline{\text{CTS}}$  to  $\overline{\text{DE}}$  assertion delay ( $T_1$ ) assumes the UART Transmit Data Register has been loaded with data prior to  $\overline{\text{CTS}}$  assertion.

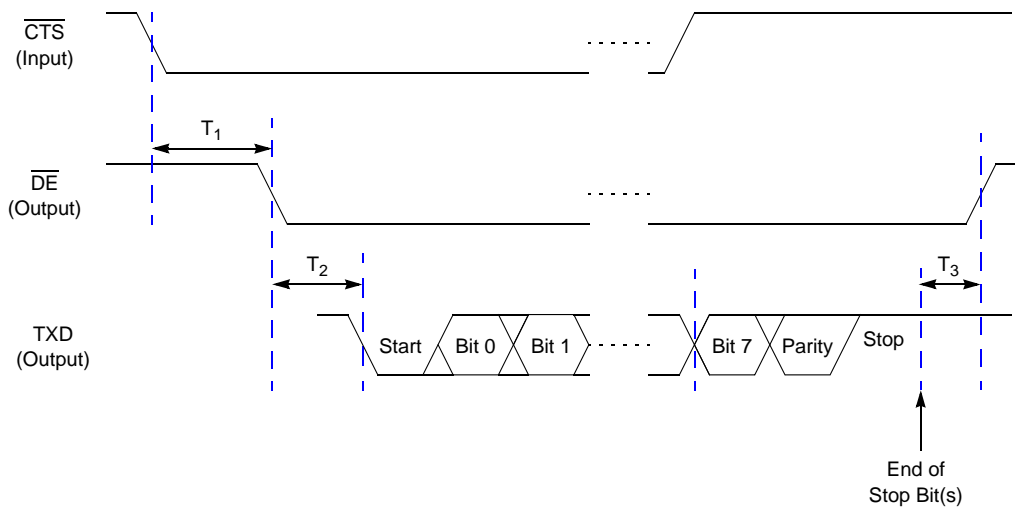


Figure 54. UART Timing with  $\overline{\text{CTS}}$

Table 112. UART Timing with  $\overline{\text{CTS}}$

| Parameter | Abbreviation   | Delay (ns)                 |   |
|-----------|--|----------------------------|---|
|           |  | Minimum                    | Maximum                                   |
| $T_1$     | $\overline{\text{CTS}}$ Fall to $\overline{\text{DE}}$ Assertion Delay | $2 * X_{\text{IN}}$ period | $2 * X_{\text{IN}}$ period + 1 Bit period |
| $T_2$     | $\overline{\text{DE}}$ Assertion to TXD Falling Edge (Start) Delay     | 1 Bit period               | 1 Bit period + $1 * X_{\text{IN}}$ period |
| $T_3$     | End of Stop Bit(s) to $\overline{\text{DE}}$ Deassertion Delay         | $1 * X_{\text{IN}}$ period | $2 * X_{\text{IN}}$ period                |

Figure 55 and Table 113 provide timing information for UART pins for the case where the Clear To Send input signal ( $\overline{\text{CTS}}$ ) is not used for flow control. In this example, it is assumed that the Driver Enable polarity has been configured to be Active Low and is represented here by  $\overline{\text{DE}}$ .

resented here by  $\overline{DE}$ .  $\overline{DE}$  asserts after the UART Transmit Data Register has been written.  $\overline{DE}$  remains asserted for multiple characters as long as the Transmit Data Register is written with the next character before the current character has completed.

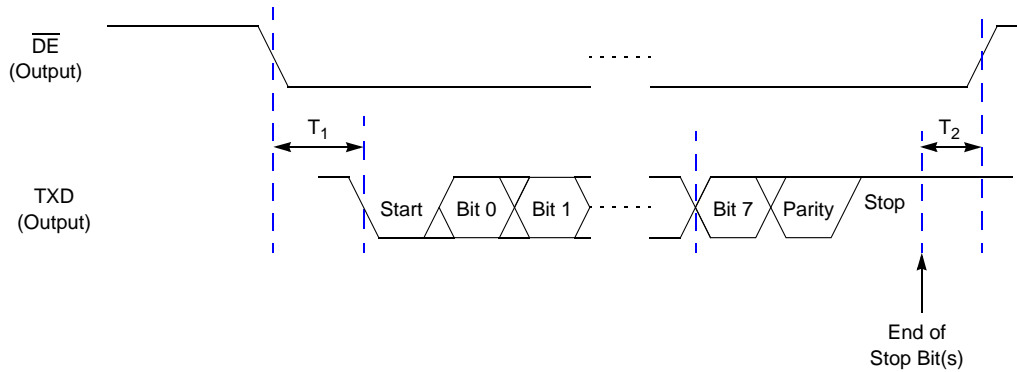


Figure 55. UART Timing without  $\overline{CTS}$

Table 113. UART Timing without  $\overline{CTS}$

| Parameter | Abbreviation  | Delay (ns)          |                                       |
|-----------|---|---------------------|---------------------------------------|
|           |   | Minimum             | Maximum                               |
| $T_1$     | $\overline{DE}$ Assertion to TXD Falling Edge (Start) Delay | 1 Bit period        | 1 Bit period +<br>$1 * X_{IN}$ period |
| $T_2$     | End of Stop Bit(s) to $\overline{DE}$ Deassertion Delay     | $1 * X_{IN}$ period | $2 * X_{IN}$ period                   |

## eZ8 CPU Instruction Set

This chapter describes the following features of the eZ8 CPU instruction set:

[Assembly Language Programming Introduction](#): see page 199

[Assembly Language Syntax](#): see page 200

[eZ8 CPU Instruction Notation](#): see page 201

[eZ8 CPU Instruction Classes](#): see page 204

[eZ8 CPU Instruction Summary](#): see page 208

[Flags Register](#): see page 217

### Assembly Language Programming Introduction

The eZ8 CPU assembly language provides a means for writing an application program without having to be concerned with actual memory addresses or machine instruction formats. A program written in assembly language is called a source program. Assembly language allows the use of symbolic addresses to identify memory locations. It also allows mnemonic codes (op codes and operands) to represent the instructions themselves. The op codes identify the instruction while the operands represent memory locations, registers, or immediate data values.

Each assembly language program consists of a series of symbolic commands called statements. Each statement can contain labels, operations, operands and comments.

Labels can be assigned to a particular instruction step in a source program. The label identifies that step in the program as an entry point for use by other instructions.

The assembly language also includes assembler directives that supplement the machine instruction. The assembler directives, or pseudo-ops, are not translated into a machine instruction. Rather, the pseudo-ops are interpreted as directives that control or assist the assembly process.

The source program is processed (assembled) by the assembler to obtain a machine language program called the object code. The object code is executed by the eZ8 CPU. An example segment of an assembly language program is detailed in the following example.

## Assembly Language Source Program Example

```

JP START      ; Everything after the semicolon is a comment.
START:        ; A label called "START". The first instruction (JP
              ; START) in this example causes program execution to
              ; jump to the point within the program where the
              ; START label occurs.

LD R4, R7     ; A Load (LD) instruction with two operands. The
              ; first operand, Working Register R4, is the
              ; destination. The second operand, Working Register
              ; R7, is the source. The contents of R7 is written
              ; into R4.

LD 234H, 01H  ; Another Load (LD) instruction with two operands.
              ; The first operand, Extended Mode Register Address
              ; 234H, is the destination. The second operand,
              ; Immediate Data value 01H, is the source. The value
              ; 01H is written into the Register at address 234H.
    
```

## Assembly Language Syntax

For proper instruction execution, eZ8 CPU assembly language syntax requires that the operands be written as 'destination, source'. After assembly, the object code usually has the operands in the order 'source, destination', but ordering is op code-dependent. The following instruction examples illustrate the format of some basic assembly instructions and the resulting object code produced by the assembler. This binary format must be followed by users that prefer manual program coding or intend to implement their own assembler.

**Example 1.** If the contents of registers 43H and 08H are added and the result is stored in 43H, the assembly syntax and resulting object code result is shown in Table 114.

**Table 114. Assembly Language Syntax Example 1**

|                        |     |     |     |                |
|------------------------|-----|-----|-----|----------------|
| Assembly Language Code | ADD | 43H | 08H | (ADD dst, src) |
| Object Code            | 04  | 08  | 43  | (OPC src, dst) |

**Example 2.** In general, when an instruction format requires an 8-bit register address, that address can specify any register location in the range 0–255 or, using Escaped Mode Addressing, a Working Register R0–R15. If the contents of Register 43H and Working Register R8 are added and the result is stored in 43H, the assembly syntax and resulting object code result is shown in Table 115.

**Table 115. Assembly Language Syntax Example 2**

|                        |     |      |    |                |
|------------------------|-----|------|----|----------------|
| Assembly Language Code | ADD | 43H, | R8 | (ADD dst, src) |
| Object Code            | 04  | E8   | 43 | (OPC src, dst) |

The register file size varies, depending on device type. See the device-specific Z8 Encore! XP Product Specification to determine the exact register file range available.

## eZ8 CPU Instruction Notation

In the eZ8 CPU Instruction Summary and Description sections, the operands, condition codes, status flags, and address modes are represented by a notational shorthand that is described in Table 116.

**Table 116. Notational Shorthand**

| Notation | Description                    | Operand | Range  |
|----------|--------------------------------|---------|--|
| b        | Bit                            | b       | b represents a value from 0 to 7 (000B to 111B).             |
| cc       | Condition Code                 | —       | See the Condition Codes overview in the eZ8 CPU User Manual. |
| DA       | Direct Address                 | Addr    | Addr. represents a number in the range of 0000H to FFFFH     |
| ER       | Extended Addressing Register   | Reg     | Reg. represents a number in the range of 000H to FFFH        |
| IM       | Immediate Data                 | #Data   | Data is a number between 00H to FFH                          |
| lr       | Indirect Working Register      | @Rn     | n = 0–15   |
| IR       | Indirect Register              | @Reg    | Reg. represents a number in the range of 00H to FFH          |
| lrr      | Indirect Working Register Pair | @RRp    | p = 0, 2, 4, 6, 8, 10, 12, or 14                             |
| IRR      | Indirect Register Pair         | @Reg    | Reg represents an even number in the range 00H to FEH        |
| p        | Polarity                       | p       | Polarity is a single bit binary value of either 0B or 1B.    |
| r        | Working Register               | Rn      | n = 0 – 15   |
| R        | Register                       | Reg     | Reg represents a number in the range of 00H to FFH           |

**Table 116. Notational Shorthand (Continued)**

| Notation | Description           | Operand | Range  |
|----------|-----------------------|---------|--|
| RA       | Relative Address      | X       | X represents an index in the range of +127 to -128, which is an offset relative to the address of the next instruction |
| rr       | Working Register Pair | RRp     | p = 0, 2, 4, 6, 8, 10, 12, or 14   |
| RR       | Register Pair         | Reg     | Reg represents an even number in the range of 00H to FEH   |
| Vector   | Vector Address        | Vector  | Vector represents a number in the range of 00H to FFH  |
| X        | Indexed               | #Index  | The register or register pair to be indexed is offset by the signed Index value (#Index) in a +127 to -128 range.      |

Table 117 contains additional symbols that are used throughout the Instruction Summary and Instruction Set Description sections.

**Table 117. Additional Symbols**

| Symbol | Definition                |
|--------|---------------------------|
| dst    | Destination Operand       |
| src    | Source Operand            |
| @      | Indirect Address Prefix   |
| SP     | Stack Pointer             |
| PC     | Program Counter           |
| FLAGS  | Flags Register            |
| RP     | Register Pointer          |
| #      | Immediate Operand Prefix  |
| B      | Binary Number Suffix      |
| %      | Hexadecimal Number Prefix |
| H      | Hexadecimal Number Suffix |

Assignment of a value is indicated by an arrow, as shown in the following example.

$dst \leftarrow dst + src$

This example indicates that the source data is added to the destination data; the result is stored in the destination location.

## Condition Codes

The C, Z, S, and V flags control the operation of the conditional jump (JP cc and JR cc) instructions. Sixteen frequently useful functions of the flag settings are encoded in a 4-bit field called the condition code (cc), which forms Bits 7:4 of the conditional jump instructions. The condition codes are summarized in Table 118. Some binary condition codes can be created using more than one assembly code mnemonic. The result of the flag test operation decides if the conditional jump is executed.

**Table 118. Condition Codes**

| Binary | Hex | Assembly Mnemonic | Definition                     | Flag Test Operation   |
|--------|-----|-------------------|--------------------------------|-----------------------|
| 0000   | 0   | F                 | Always False                   | –                     |
| 0001   | 1   | LT                | Less Than                      | (S XOR V) = 1         |
| 0010   | 2   | LE                | Less Than or Equal             | (Z OR (S XOR V)) = 1  |
| 0011   | 3   | ULE               | Unsigned Less Than or Equal    | (C OR Z) = 1          |
| 0100   | 4   | OV                | Overflow                       | V = 1                 |
| 0101   | 5   | MI                | Minus                          | S = 1                 |
| 0110   | 6   | Z                 | Zero                           | Z = 1                 |
| 0110   | 6   | EQ                | Equal                          | Z = 1                 |
| 0111   | 7   | C                 | Carry                          | C = 1                 |
| 0111   | 7   | ULT               | Unsigned Less Than             | C = 1                 |
| 1000   | 8   | T (or blank)      | Always True                    | –                     |
| 1001   | 9   | GE                | Greater Than or Equal          | (S XOR V) = 0         |
| 1010   | A   | GT                | Greater Than                   | (Z OR (S XOR V)) = 0  |
| 1011   | B   | UGT               | Unsigned Greater Than          | (C = 0 AND Z = 0) = 1 |
| 1100   | C   | NOV               | No Overflow                    | V = 0                 |
| 1101   | D   | PL                | Plus                           | S = 0                 |
| 1110   | E   | NZ                | Non-Zero                       | Z = 0                 |
| 1110   | E   | NE                | Not Equal                      | Z = 0                 |
| 1111   | F   | NC                | No Carry                       | C = 0                 |
| 1111   | F   | UGE               | Unsigned Greater Than or Equal | C = 0                 |

## eZ8 CPU Instruction Classes

eZ8 CPU instructions are divided functionally into the following groups:

- Arithmetic
- Bit Manipulation
- Block Transfer
- CPU Control
- Load
- Logical
- Program Control
- Rotate and Shift

Tables 119 through 126 contain the instructions belonging to each group and the number of operands required for each instruction. Some instructions appear in more than one table as these instruction can be considered as a subset of more than one category. Within these tables, the source operand is identified as 'src', the destination operand is 'dst' and a condition code is 'cc'.

**Table 119. Arithmetic Instructions**

| <b>Mnemonic</b> | <b>Operands</b> | <b>Instruction</b>                           |
|-----------------|-----------------|--|
| ADC             | dst, src        | Add with Carry                               |
| ADCX            | dst, src        | Add with Carry using Extended Addressing     |
| ADD             | dst, src        | Add  |
| ADDX            | dst, src        | Add using Extended Addressing                |
| CP              | dst, src        | Compare                                      |
| CPC             | dst, src        | Compare with Carry                           |
| CPCX            | dst, src        | Compare with Carry using Extended Addressing |
| CPX             | dst, src        | Compare using Extended Addressing            |
| DA              | dst             | Decimal Adjust                               |
| DEC             | dst             | Decrement                                    |
| DECW            | dst             | Decrement Word                               |
| INC             | dst             | Increment                                    |
| INCW            | dst             | Increment Word                               |

**Table 119. Arithmetic Instructions (Continued)**

| <b>Mnemonic</b> | <b>Operands</b> | <b>Instruction</b>                            |
|-----------------|-----------------|---|
| MULT            | dst             | Multiply                                      |
| SBC             | dst, src        | Subtract with Carry                           |
| SBCX            | dst, src        | Subtract with Carry using Extended Addressing |
| SUB             | dst, src        | Subtract                                      |
| SUBX            | dst, src        | Subtract using Extended Addressing            |

**Table 120. Bit Manipulation Instructions**

| <b>Mnemonic</b> | <b>Operands</b> | <b>Instruction</b>                                   |
|-----------------|-----------------|--|
| BCLR            | bit, dst        | Bit Clear  |
| BIT             | p, bit, dst     | Bit Set or Clear                                     |
| BSET            | bit, dst        | Bit Set  |
| BSWAP           | dst             | Bit Swap   |
| CCF             | —               | Complement Carry Flag                                |
| RCF             | —               | Reset Carry Flag                                     |
| SCF             | —               | Set Carry Flag                                       |
| TCM             | dst, src        | Test Complement Under Mask                           |
| TCMX            | dst, src        | Test Complement Under Mask using Extended Addressing |
| TM              | dst, src        | Test Under Mask                                      |
| TMX             | dst, src        | Test Under Mask using Extended Addressing            |

**Table 121. Block Transfer Instructions**

| <b>Mnemonic</b> | <b>Operands</b> | <b>Instruction</b>  |
|-----------------|-----------------|---|
| LDCI            | dst, src        | Load Constant to/from Program memory and Auto-Increment Addresses   |
| LDEI            | dst, src        | Load External Data to/from Data Memory and Auto-Increment Addresses |

**Table 122. CPU Control Instructions**

| <b>Mnemonic</b> | <b>Operands</b> | <b>Instruction</b>     |
|-----------------|-----------------|------------------------|
| CCF             | —               | Complement Carry Flag  |
| DI              | —               | Disable Interrupts     |
| EI              | —               | Enable Interrupts      |
| HALT            | —               | HALT Mode              |
| NOP             | —               | No Operation           |
| RCF             | —               | Reset Carry Flag       |
| SCF             | —               | Set Carry Flag         |
| SRP             | src             | Set Register Pointer   |
| STOP            | —               | STOP Mode              |
| WDT             | —               | Watchdog Timer Refresh |

**Table 123. Load Instructions**

| <b>Mnemonic</b> | <b>Operands</b> | <b>Instruction</b>  |
|-----------------|-----------------|---|
| CLR             | dst             | Clear   |
| LD              | dst, src        | Load  |
| LDC             | dst, src        | Load Constant to/from Program memory                                |
| LDCI            | dst, src        | Load Constant to/from Program memory and Auto-Increment Addresses   |
| LDE             | dst, src        | Load External Data to/from Data Memory                              |
| LDEI            | dst, src        | Load External Data to/from Data Memory and Auto-Increment Addresses |
| LDWX            | dst, src        | Load Word using Extended Addressing                                 |
| LDX             | dst, src        | Load using Extended Addressing                                      |
| LEA             | dst, X(src)     | Load Effective Address  |
| POP             | dst             | Pop   |
| POPX            | dst             | Pop using Extended Addressing                                       |
| PUSH            | src             | Push  |
| PUSHX           | src             | Push using Extended Addressing                                      |

**Table 124. Logical Instructions**

| <b>Mnemonic</b> | <b>Operands</b> | <b>Instruction</b>                             |
|-----------------|-----------------|--|
| AND             | dst, src        | Logical AND                                    |
| ANDX            | dst, src        | Logical AND using Extended Addressing          |
| COM             | dst             | Complement                                     |
| OR              | dst, src        | Logical OR                                     |
| ORX             | dst, src        | Logical OR using Extended Addressing           |
| XOR             | dst, src        | Logical Exclusive OR                           |
| XORX            | dst, src        | Logical Exclusive OR using Extended Addressing |

**Table 125. Program Control Instructions**

| <b>Mnemonic</b> | <b>Operands</b> | <b>Instruction</b>            |
|-----------------|-----------------|-------------------------------|
| BRK             | —               | On-Chip Debugger Break        |
| BTJ             | p, bit, src, DA | Bit Test and Jump             |
| BTJNZ           | bit, src, DA    | Bit Test and Jump if Non-Zero |
| BTJZ            | bit, src, DA    | Bit Test and Jump if Zero     |
| CALL            | dst             | Call Procedure                |
| DJNZ            | dst, src, RA    | Decrement and Jump Non-Zero   |
| IRET            | —               | Interrupt Return              |
| JP              | dst             | Jump                          |
| JP cc           | dst             | Jump Conditional              |
| JR              | DA              | Jump Relative                 |
| JR cc           | DA              | Jump Relative Conditional     |
| RET             | —               | Return                        |
| TRAP            | vector          | Software Trap                 |

**Table 126. Rotate and Shift Instructions**

| Mnemonic | Operands | Instruction                |
|----------|----------|----------------------------|
| BSWAP    | dst      | Bit Swap                   |
| RL       | dst      | Rotate Left                |
| RLC      | dst      | Rotate Left through Carry  |
| RR       | dst      | Rotate Right               |
| RRC      | dst      | Rotate Right through Carry |
| SRA      | dst      | Shift Right Arithmetic     |
| SRL      | dst      | Shift Right Logical        |
| SWAP     | dst      | Swap Nibbles               |

## eZ8 CPU Instruction Summary

Table 127 summarizes the eZ8 CPU instructions. The table identifies the addressing modes employed by the instruction, the effect upon the Flags Register, the number of CPU clock cycles required for the instruction fetch, and the number of CPU clock cycles required for the instruction execution.

**Table 127. eZ8 CPU Instruction Summary**

| Assembly Mnemonic | Symbolic Operation  | Address Mode |     | Op Code(s) (Hex) | Flags |   |   |   |   |   | Fetch Cycles | Instr. Cycles |   |   |
|-------------------|---------------------|--------------|-----|------------------|-------|---|---|---|---|---|--------------|---------------|---|---|
|                   |                     | dst          | src |                  | C     | Z | S | V | D | H |              |               |   |   |
| ADC dst, src      | dst ← dst + src + C | r            | r   | 12               | *     | * | * | * | 0 | * | 2            | 3             |   |   |
|                   |                     | r            | lr  | 13               |       |   |   |   |   |   |              |               | 2 | 4 |
|                   |                     | R            | R   | 14               |       |   |   |   |   |   |              |               | 3 | 3 |
|                   |                     | R            | IR  | 15               |       |   |   |   |   |   |              |               | 3 | 4 |
|                   |                     | R            | IM  | 16               |       |   |   |   |   |   |              |               | 3 | 3 |
|                   |                     | IR           | IM  | 17               |       |   |   |   |   |   |              |               | 3 | 4 |
| ADCX dst, src     | dst ← dst + src + C | ER           | ER  | 18               | *     | * | * | * | 0 | * | 4            | 3             |   |   |
|                   |                     | ER           | IM  | 19               |       |   |   |   |   |   |              |               | 4 | 3 |

Note: Flags Notation:

\* = Value is a function of the result of the operation.

– = Unaffected.

X = Undefined.

0 = Reset to 0.

1 = Set to 1.

Table 127. eZ8 CPU Instruction Summary (Continued)

| Assembly Mnemonic    | Symbolic Operation             | Address Mode |     | Op Code(s) (Hex) | Flags |   |   |   |   |   | Fetch Cycles | Instr. Cycles |
|----------------------|--------------------------------|--------------|-----|------------------|-------|---|---|---|---|---|--------------|---------------|
|                      |                                | dst          | src |                  | C     | Z | S | V | D | H |              |               |
| ADD dst, src         | dst ← dst + src                | r            | r   | 02               | *     | * | * | * | 0 | * | 2            | 3             |
|                      |                                | r            | lr  | 03               |       |   |   |   |   |   | 2            | 4             |
|                      |                                | R            | R   | 04               |       |   |   |   |   |   | 3            | 3             |
|                      |                                | R            | IR  | 05               |       |   |   |   |   |   | 3            | 4             |
|                      |                                | R            | IM  | 06               |       |   |   |   |   |   | 3            | 3             |
|                      |                                | IR           | IM  | 07               |       |   |   |   |   |   | 3            | 4             |
| ADDX dst, src        | dst ← dst + src                | ER           | ER  | 08               | *     | * | * | * | 0 | * | 4            | 3             |
|                      |                                | ER           | IM  | 09               |       |   |   |   |   |   | 4            | 3             |
| AND dst, src         | dst ← dst AND src              | r            | r   | 52               | -     | * | * | 0 | - | - | 2            | 3             |
|                      |                                | r            | lr  | 53               |       |   |   |   |   |   | 2            | 4             |
|                      |                                | R            | R   | 54               |       |   |   |   |   |   | 3            | 3             |
|                      |                                | R            | IR  | 55               |       |   |   |   |   |   | 3            | 4             |
|                      |                                | R            | IM  | 56               |       |   |   |   |   |   | 3            | 3             |
|                      |                                | IR           | IM  | 57               |       |   |   |   |   |   | 3            | 4             |
| ANDX dst, src        | dst ← dst AND src              | ER           | ER  | 58               | -     | * | * | 0 | - | - | 4            | 3             |
|                      |                                | ER           | IM  | 59               |       |   |   |   |   |   | 4            | 3             |
| BCLR bit, dst        | dst[bit] ← 0                   | r            |     | E2               | -     | - | - | - | - | - | 2            | 2             |
| BIT p, bit, dst      | dst[bit] ← p                   | r            |     | E2               | -     | - | - | - | - | - | 2            | 2             |
| BRK                  | Debugger Break                 |              |     | 00               | -     | - | - | - | - | - | 1            | 1             |
| BSET bit, dst        | dst[bit] ← 1                   | r            |     | E2               | -     | - | - | - | - | - | 2            | 2             |
| BSWAP dst            | dst[7:0] ← dst[0:7]            | R            |     | D5               | X     | * | * | 0 | - | - | 2            | 2             |
| BTJ p, bit, src, dst | if src[bit] = p<br>PC ← PC + X |              | r   | F6               | -     | - | - | - | - | - | 3            | 3             |
|                      |                                |              | lr  | F7               |       |   |   |   |   |   | 3            | 4             |
| BTJNZ bit, src, dst  | if src[bit] = 1<br>PC ← PC + X |              | r   | F6               | -     | - | - | - | - | - | 3            | 3             |
|                      |                                |              | lr  | F7               |       |   |   |   |   |   | 3            | 4             |
| BTJZ bit, src, dst   | if src[bit] = 0<br>PC ← PC + X |              | r   | F6               | -     | - | - | - | - | - | 3            | 3             |
|                      |                                |              | lr  | F7               |       |   |   |   |   |   | 3            | 4             |

Note: Flags Notation:

\* = Value is a function of the result of the operation.

- = Unaffected.

X = Undefined.

0 = Reset to 0.

1 = Set to 1.

Table 127. eZ8 CPU Instruction Summary (Continued)

| Assembly Mnemonic | Symbolic Operation   | Address Mode |     | Op Code(s) (Hex) | Flags |   |   |   |   |   | Fetch Cycles | Instr. Cycles |
|-------------------|----------------------|--------------|-----|------------------|-------|---|---|---|---|---|--------------|---------------|
|                   |                      | dst          | src |                  | C     | Z | S | V | D | H |              |               |
| CALL dst          | SP ← SP -2           | IRR          |     | D4               | -     | - | - | - | - | - | 2            | 6             |
|                   | @SP ← PC<br>PC ← dst | DA           |     | D6               |       |   |   |   |   |   | 3            | 3             |
| CCF               | C ← ~C               |              |     | EF               | *     | - | - | - | - | - | 1            | 2             |
| CLR dst           | dst ← 00H            | R            |     | B0               | -     | - | - | - | - | - | 2            | 2             |
|                   |                      | IR           |     | B1               |       |   |   |   |   |   | 2            | 3             |
| COM dst           | dst ← ~dst           | R            |     | 60               | -     | * | * | 0 | - | - | 2            | 2             |
|                   |                      | IR           |     | 61               |       |   |   |   |   |   | 2            | 3             |
| CP dst, src       | dst – src            | r            | r   | A2               | *     | * | * | * | - | - | 2            | 3             |
|                   |                      | r            | lr  | A3               |       |   |   |   |   |   | 2            | 4             |
|                   |                      | R            | R   | A4               |       |   |   |   |   |   | 3            | 3             |
|                   |                      | R            | IR  | A5               |       |   |   |   |   |   | 3            | 4             |
|                   |                      | R            | IM  | A6               |       |   |   |   |   |   | 3            | 3             |
|                   |                      | IR           | IM  | A7               |       |   |   |   |   |   | 3            | 4             |
| CPC dst, src      | dst – src – C        | r            | r   | 1F A2            | *     | * | * | * | - | - | 3            | 3             |
|                   |                      | r            | lr  | 1F A3            |       |   |   |   |   |   | 3            | 4             |
|                   |                      | R            | R   | 1F A4            |       |   |   |   |   |   | 4            | 3             |
|                   |                      | R            | IR  | 1F A5            |       |   |   |   |   |   | 4            | 4             |
|                   |                      | R            | IM  | 1F A6            |       |   |   |   |   |   | 4            | 3             |
|                   |                      | IR           | IM  | 1F A7            |       |   |   |   |   |   | 4            | 4             |
| CPCX dst, src     | dst – src – C        | ER           | ER  | 1F A8            | *     | * | * | * | - | - | 5            | 3             |
|                   |                      | ER           | IM  | 1F A9            |       |   |   |   |   |   | 5            | 3             |
| CPX dst, src      | dst – src            | ER           | ER  | A8               | *     | * | * | * | - | - | 4            | 3             |
|                   |                      | ER           | IM  | A9               |       |   |   |   |   |   | 4            | 3             |
| DA dst            | dst ← DA(dst)        | R            |     | 40               | *     | * | * | X | - | - | 2            | 2             |
|                   |                      | IR           |     | 41               |       |   |   |   |   |   | 2            | 3             |
| DEC dst           | dst ← dst – 1        | R            |     | 30               | -     | * | * | * | - | - | 2            | 2             |
|                   |                      | IR           |     | 31               |       |   |   |   |   |   | 2            | 3             |

Note: Flags Notation:  
 \* = Value is a function of the result of the operation.  
 – = Unaffected.  
 X = Undefined.  
 0 = Reset to 0.  
 1 = Set to 1.

Table 127. eZ8 CPU Instruction Summary (Continued)

| Assembly Mnemonic | Symbolic Operation   | Address Mode |     | Op Code(s) (Hex) | Flags |   |   |   |   |   | Fetch Cycles | Instr. Cycles |
|-------------------|--|--------------|-----|------------------|-------|---|---|---|---|---|--------------|---------------|
|                   |  | dst          | src |                  | C     | Z | S | V | D | H |              |               |
| DECW dst          | dst ← dst – 1  | RR           |     | 80               | -     | * | * | * | - | - | 2            | 5             |
|                   |  | IRR          |     | 81               |       |   |   |   |   |   | 2            | 6             |
| DI                | IRQCTL[7] ← 0  |              |     | 8F               | -     | - | - | - | - | - | 1            | 2             |
| DJNZ dst, RA      | dst ← dst – 1<br>if dst ≠ 0<br>PC ← PC + X                             | r            |     | 0A-FA            | -     | - | - | - | - | - | 2            | 3             |
| EI                | IRQCTL[7] ← 1  |              |     | 9F               | -     | - | - | - | - | - | 1            | 2             |
| HALT              | HALT Mode  |              |     | 7F               | -     | - | - | - | - | - | 1            | 2             |
| INC dst           | dst ← dst + 1  | R            |     | 20               | -     | * | * | * | - | - | 2            | 2             |
|                   |  | IR           |     | 21               |       |   |   |   |   |   | 2            | 3             |
|                   |  | r            |     | 0E-FE            |       |   |   |   |   |   | 1            | 2             |
| INCW dst          | dst ← dst + 1  | RR           |     | A0               | -     | * | * | * | - | - | 2            | 5             |
|                   |  | IRR          |     | A1               |       |   |   |   |   |   | 2            | 6             |
| IRET              | FLAGS ← @SP<br>SP ← SP + 1<br>PC ← @SP<br>SP ← SP + 2<br>IRQCTL[7] ← 1 |              |     | BF               | *     | * | * | * | * | * | 1            | 5             |
| JP dst            | PC ← dst   | DA           |     | 8D               | -     | - | - | - | - | - | 3            | 2             |
|                   |  | IRR          |     | C4               |       |   |   |   |   |   | 2            | 3             |
| JP cc, dst        | if cc is true<br>PC ← dst  | DA           |     | 0D-FD            | -     | - | - | - | - | - | 3            | 2             |
| JR dst            | PC ← PC + X  | DA           |     | 8B               | -     | - | - | - | - | - | 2            | 2             |
| JR cc, dst        | if cc is true<br>PC ← PC + X   | DA           |     | 0B-FB            | -     | - | - | - | - | - | 2            | 2             |

Note: Flags Notation:  
 \* = Value is a function of the result of the operation.  
 – = Unaffected.  
 X = Undefined.  
 0 = Reset to 0.  
 1 = Set to 1.

Table 127. eZ8 CPU Instruction Summary (Continued)

| Assembly Mnemonic | Symbolic Operation                    | Address Mode |      | Op Code(s) (Hex) | Flags |    |   |   |   |   | Fetch Cycles | Instr. Cycles |
|-------------------|---------------------------------------|--------------|------|------------------|-------|----|---|---|---|---|--------------|---------------|
|                   |                                       | dst          | src  |                  | C     | Z  | S | V | D | H |              |               |
| LD dst, rc        | dst ← src                             | r            | IM   | 0C-FC            | -     | -  | - | - | - | - | 2            | 2             |
|                   |                                       | r            | X(r) | C7               |       |    |   |   |   |   | 3            | 3             |
|                   |                                       | X(r)         | r    | D7               |       |    |   |   |   |   | 3            | 4             |
|                   |                                       | r            | lr   | E3               |       |    |   |   |   |   | 2            | 3             |
|                   |                                       | R            | R    | E4               |       |    |   |   |   |   | 3            | 2             |
|                   |                                       | R            | IR   | E5               |       |    |   |   |   |   | 3            | 4             |
|                   |                                       | R            | IM   | E6               |       |    |   |   |   |   | 3            | 2             |
|                   |                                       | IR           | IM   | E7               |       |    |   |   |   |   | 3            | 3             |
|                   |                                       |              |      | lr               | r     | F3 |   |   |   |   |              | 2             |
|                   |                                       | IR           | R    | F5               |       |    |   |   |   | 3 | 3            |               |
| LDC dst, src      | dst ← src                             | r            | lrr  | C2               | -     | -  | - | - | - | - | 2            | 5             |
|                   |                                       | lr           | lrr  | C5               |       |    |   |   |   |   | 2            | 9             |
|                   |                                       | lrr          | r    | D2               |       |    |   |   |   |   | 2            | 5             |
| LDCI dst, src     | dst ← src<br>r ← r + 1<br>rr ← rr + 1 | lr           | lrr  | C3               | -     | -  | - | - | - | - | 2            | 9             |
|                   |                                       | lrr          | lr   | D3               |       |    |   |   |   |   | 2            | 9             |
| LDE dst, src      | dst ← src                             | r            | lrr  | 82               | -     | -  | - | - | - | - | 2            | 5             |
|                   |                                       | lrr          | r    | 92               |       |    |   |   |   |   | 2            | 5             |
| LDEI dst, src     | dst ← src<br>r ← r + 1<br>rr ← rr + 1 | lr           | lrr  | 83               | -     | -  | - | - | - | - | 2            | 9             |
|                   |                                       | lrr          | lr   | 93               |       |    |   |   |   |   | 2            | 9             |
| LDWX dst, src     | dst ← src                             | ER           | ER   | 1FE8             | -     | -  | - | - | - | - | 5            | 4             |

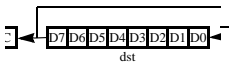

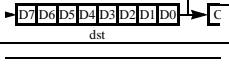
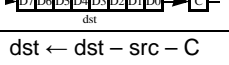

Note: Flags Notation:  
 \* = Value is a function of the result of the operation.  
 - = Unaffected.  
 X = Undefined.  
 0 = Reset to 0.  
 1 = Set to 1.

Table 127. eZ8 CPU Instruction Summary (Continued)

| Assembly Mnemonic | Symbolic Operation                  | Address Mode |       | Op Code(s) (Hex) | Flags |   |   |   |   |   | Fetch Cycles | Instr. Cycles |
|-------------------|-------------------------------------|--------------|-------|------------------|-------|---|---|---|---|---|--------------|---------------|
|                   |                                     | dst          | src   |                  | C     | Z | S | V | D | H |              |               |
| LDX dst, src      | dst ← src                           | r            | ER    | 84               | -     | - | - | - | - | - | 3            | 2             |
|                   |                                     | lr           | ER    | 85               |       |   |   |   |   |   | 3            | 3             |
|                   |                                     | R            | IRR   | 86               |       |   |   |   |   |   | 3            | 4             |
|                   |                                     | IR           | IRR   | 87               |       |   |   |   |   |   | 3            | 5             |
|                   |                                     | r            | X(rr) | 88               |       |   |   |   |   |   | 3            | 4             |
|                   |                                     | X(rr)        | r     | 89               |       |   |   |   |   |   | 3            | 4             |
|                   |                                     | ER           | r     | 94               |       |   |   |   |   |   | 3            | 2             |
|                   |                                     | ER           | lr    | 95               |       |   |   |   |   |   | 3            | 3             |
|                   |                                     | IRR          | R     | 96               |       |   |   |   |   |   | 3            | 4             |
|                   |                                     | IRR          | IR    | 97               |       |   |   |   |   |   | 3            | 5             |
|                   |                                     | ER           | ER    | E8               |       |   |   |   |   |   | 4            | 2             |
|                   |                                     | ER           | IM    | E9               |       |   |   |   |   |   | 4            | 2             |
| LEA dst, X(src)   | dst ← src + X                       | r            | X(r)  | 98               | -     | - | - | - | - | - | 3            | 3             |
|                   |                                     | rr           | X(rr) | 99               |       |   |   |   |   |   | 3            | 5             |
| MULT dst          | dst[15:0] ←<br>dst[15:8] * dst[7:0] | RR           |       | F4               | -     | - | - | - | - | - | 2            | 8             |
| NOP               | No operation                        |              |       | 0F               | -     | - | - | - | - | - | 1            | 2             |
| OR dst, src       | dst ← dst OR src                    | r            | r     | 42               | -     | * | * | 0 | - | - | 2            | 3             |
|                   |                                     | r            | lr    | 43               |       |   |   |   |   |   | 2            | 4             |
|                   |                                     | R            | R     | 44               |       |   |   |   |   |   | 3            | 3             |
|                   |                                     | R            | IR    | 45               |       |   |   |   |   |   | 3            | 4             |
|                   |                                     | R            | IM    | 46               |       |   |   |   |   |   | 3            | 3             |
|                   |                                     | IR           | IM    | 47               |       |   |   |   |   |   | 3            | 4             |
| ORX dst, src      | dst ← dst OR src                    | ER           | ER    | 48               | -     | * | * | 0 | - | - | 4            | 3             |
|                   |                                     | ER           | IM    | 49               |       |   |   |   |   |   | 4            | 3             |
| POP dst           | dst ← @SP<br>SP ← SP + 1            | R            |       | 50               | -     | - | - | - | - | - | 2            | 2             |
|                   |                                     | IR           |       | 51               |       |   |   |   |   |   | 2            | 3             |

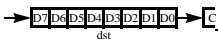
Note: Flags Notation:  
 \* = Value is a function of the result of the operation.  
 - = Unaffected.  
 X = Undefined.  
 0 = Reset to 0.  
 1 = Set to 1.

Table 127. eZ8 CPU Instruction Summary (Continued)

| Assembly Mnemonic | Symbolic Operation  | Address Mode |     | Op Code(s) (Hex) | Flags |   |   |   |   |   | Fetch Cycles | Instr. Cycles |
|-------------------|---|--------------|-----|------------------|-------|---|---|---|---|---|--------------|---------------|
|                   |   | dst          | src |                  | C     | Z | S | V | D | H |              |               |
| POPX dst          | dst ← @SP<br>SP ← SP + 1  | ER           |     | D8               | -     | - | - | - | - | - | 3            | 2             |
| PUSH src          | SP ← SP - 1<br>@SP ← src  | R            |     | 70               | -     | - | - | - | - | - | 2            | 2             |
|                   |   | IR           |     | 71               |       |   |   |   |   |   | 2            | 3             |
| PUSHX src         | SP ← SP - 1<br>@SP ← src  | ER           |     | C8               | -     | - | - | - | - | - | 3            | 2             |
| RCF               | C ← 0   |              |     | CF               | 0     | - | - | - | - | - | 1            | 2             |
| RET               | PC ← @SP<br>SP ← SP + 2   |              |     | AF               | -     | - | - | - | - | - | 1            | 4             |
| RL dst            |    | R            |     | 90               | *     | * | * | * | - | - | 2            | 2             |
|                   |   | IR           |     | 91               |       |   |   |   |   |   |              | 2             |
| RLC dst           |  | R            |     | 10               | *     | * | * | * | - | - | 2            | 2             |
|                   |   | IR           |     | 11               |       |   |   |   |   |   |              | 2             |
| RR dst            |  | R            |     | E0               | *     | * | * | * | - | - | 2            | 2             |
|                   |   | IR           |     | E1               |       |   |   |   |   |   |              | 2             |
| RRC dst           |  | R            |     | C0               | *     | * | * | * | - | - | 2            | 2             |
|                   |   | IR           |     | C1               |       |   |   |   |   |   |              | 2             |
| SBC dst, src      | dst ← dst - src - C   | r            | r   | 32               | *     | * | * | * | 1 | * | 2            | 3             |
|                   |   | r            | lr  | 33               |       |   |   |   |   |   | 2            | 4             |
|                   |   | R            | R   | 34               |       |   |   |   |   |   | 3            | 3             |
|                   |   | R            | IR  | 35               |       |   |   |   |   |   | 3            | 4             |
|                   |   | R            | IM  | 36               |       |   |   |   |   |   | 3            | 3             |
|                   |   | IR           | IM  | 37               |       |   |   |   |   |   | 3            | 4             |
| SBCX dst, src     | dst ← dst - src - C   | ER           | ER  | 38               | *     | * | * | * | 1 | * | 4            | 3             |
|                   |   | ER           | IM  | 39               |       |   |   |   |   |   | 4            | 3             |
| SCF               | C ← 1   |              |     | DF               | 1     | - | - | - | - | - | 1            | 2             |
| SRA dst           |  | R            |     | D0               | *     | * | * | 0 | - | - | 2            | 2             |
|                   |   | IR           |     | D1               |       |   |   |   |   |   |              | 2             |

Note: Flags Notation:  
 \* = Value is a function of the result of the operation.  
 - = Unaffected.  
 X = Undefined.  
 0 = Reset to 0.  
 1 = Set to 1.

Table 127. eZ8 CPU Instruction Summary (Continued)

| Assembly Mnemonic | Symbolic Operation  | Address Mode |     | Op Code(s) (Hex) | Flags |   |   |   |   |   | Fetch Cycles | Instr. Cycles |
|-------------------|---|--------------|-----|------------------|-------|---|---|---|---|---|--------------|---------------|
|                   |   | dst          | src |                  | C     | Z | S | V | D | H |              |               |
| SRL dst           |  | R            |     | 1F C0            | *     | * | 0 | * | - | - | 3            | 2             |
|                   |   | IR           |     | 1F C1            |       |   |   |   |   |   |              | 3             |
| SRP src           | RP ← src  |              | IM  | 01               | -     | - | - | - | - | - | 2            | 2             |
| STOP              | STOP Mode   |              |     | 6F               | -     | - | - | - | - | - | 1            | 2             |
| SUB dst, src      | dst ← dst – src   | r            | r   | 22               | *     | * | * | * | 1 | * | 2            | 3             |
|                   |   | r            | lr  | 23               |       |   |   |   |   |   | 2            | 4             |
|                   |   | R            | R   | 24               |       |   |   |   |   |   | 3            | 3             |
|                   |   | R            | IR  | 25               |       |   |   |   |   |   | 3            | 4             |
|                   |   | R            | IM  | 26               |       |   |   |   |   |   | 3            | 3             |
|                   |   | IR           | IM  | 27               |       |   |   |   |   |   | 3            | 4             |
| SUBX dst, src     | dst ← dst – src   | ER           | ER  | 28               | *     | * | * | * | 1 | * | 4            | 3             |
|                   |   | ER           | IM  | 29               |       |   |   |   |   |   | 4            | 3             |
| SWAP dst          | dst[7:4] ↔ dst[3:0]   | R            |     | F0               | X     | * | * | X | - | - | 2            | 2             |
|                   |   | IR           |     | F1               |       |   |   |   |   |   | 2            | 3             |
| TCM dst, src      | (NOT dst) AND src   | r            | r   | 62               | -     | * | * | 0 | - | - | 2            | 3             |
|                   |   | r            | lr  | 63               |       |   |   |   |   |   | 2            | 4             |
|                   |   | R            | R   | 64               |       |   |   |   |   |   | 3            | 3             |
|                   |   | R            | IR  | 65               |       |   |   |   |   |   | 3            | 4             |
|                   |   | R            | IM  | 66               |       |   |   |   |   |   | 3            | 3             |
|                   |   | IR           | IM  | 67               |       |   |   |   |   |   | 3            | 4             |
| TCMX dst, src     | (NOT dst) AND src   | ER           | ER  | 68               | -     | * | * | 0 | - | - | 4            | 3             |
|                   |   | ER           | IM  | 69               |       |   |   |   |   |   | 4            | 3             |

Note: Flags Notation:  
 \* = Value is a function of the result of the operation.  
 – = Unaffected.  
 X = Undefined.  
 0 = Reset to 0.  
 1 = Set to 1.

Table 127. eZ8 CPU Instruction Summary (Continued)

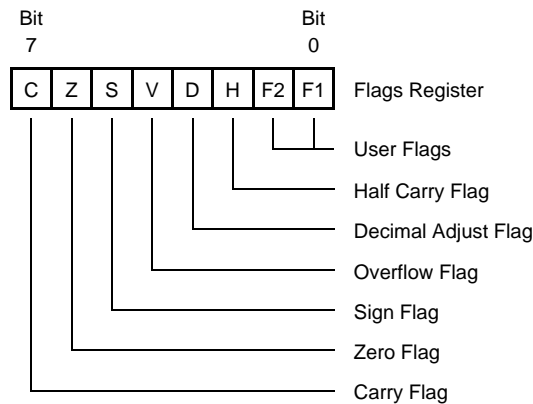
| Assembly Mnemonic | Symbolic Operation  | Address Mode |        | Op Code(s) (Hex) | Flags |   |   |   |   |   | Fetch Cycles | Instr. Cycles |
|-------------------|---|--------------|--------|------------------|-------|---|---|---|---|---|--------------|---------------|
|                   |   | dst          | src    |                  | C     | Z | S | V | D | H |              |               |
| TM dst, src       | dst AND src   | r            | r      | 72               | -     | * | * | 0 | - | - | 2            | 3             |
|                   |   | r            | lr     | 73               |       |   |   |   |   |   | 2            | 4             |
|                   |   | R            | R      | 74               |       |   |   |   |   |   | 3            | 3             |
|                   |   | R            | IR     | 75               |       |   |   |   |   |   | 3            | 4             |
|                   |   | R            | IM     | 76               |       |   |   |   |   |   | 3            | 3             |
|                   |   | IR           | IM     | 77               |       |   |   |   |   |   | 3            | 4             |
| TMX dst, src      | dst AND src   | ER           | ER     | 78               | -     | * | * | 0 | - | - | 4            | 3             |
|                   |   | ER           | IM     | 79               |       |   |   |   |   |   | 4            | 3             |
| TRAP Vector       | SP ← SP – 2<br>@SP ← PC<br>SP ← SP – 1<br>@SP ← FLAGS<br>PC ← @Vector |              | Vector | F2               | -     | - | - | - | - | - | 2            | 6             |
| WDT               |   |              |        | 5F               | -     | - | - | - | - | - | 1            | 2             |
| XOR dst, src      | dst ← dst XOR src   | r            | r      | B2               | -     | * | * | 0 | - | - | 2            | 3             |
|                   |   | r            | lr     | B3               |       |   |   |   |   |   | 2            | 4             |
|                   |   | R            | R      | B4               |       |   |   |   |   |   | 3            | 3             |
|                   |   | R            | IR     | B5               |       |   |   |   |   |   | 3            | 4             |
|                   |   | R            | IM     | B6               |       |   |   |   |   |   | 3            | 3             |
|                   |   | IR           | IM     | B7               |       |   |   |   |   |   | 3            | 4             |
| XORX dst, src     | dst ← dst XOR src   | ER           | ER     | B8               | -     | * | * | 0 | - | - | 4            | 3             |
|                   |   | ER           | IM     | B9               |       |   |   |   |   |   | 4            | 3             |

Note: Flags Notation:  
 \* = Value is a function of the result of the operation.  
 – = Unaffected.  
 X = Undefined.  
 0 = Reset to 0.  
 1 = Set to 1.

## Flags Register

The Flags Register contains the status information regarding the most recent arithmetic, logical, bit manipulation or rotate and shift operation. The Flags Register contains six bits of status information that are set or cleared by CPU operations. Four of the bits (C, V, Z and S) can be tested with conditional jump instructions. Two flags (H and D) cannot be tested and are used for Binary-Coded Decimal (BCD) arithmetic.

The two remaining bits, User Flags (F1 and F2), are available as general-purpose status bits. User Flags are unaffected by arithmetic operations and must be set or cleared by instructions. The User Flags cannot be used with conditional Jumps. They are undefined at initial power-up and are unaffected by Reset. Figure 56 illustrates the flags and their bit positions in the Flags Register.



**Figure 56. Flags Register**

Interrupts, the Software Trap (TRAP) instruction, and Illegal Instruction Traps all write the value of the Flags Register to the stack. Executing an Interrupt Return (IRET) instruction restores the value saved on the stack into the Flags Register.

## Op Code Maps

A description of the Op Code map data and the abbreviations are provided in Figure 57 and Table 128. Figures 58 and 59 provide information about each of the eZ8 CPU instructions.

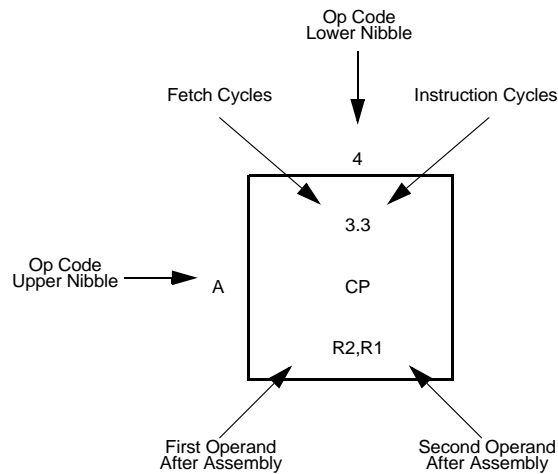


Figure 57. Op Code Map Cell Description

Table 128. Op Code Map Abbreviations

| Abbreviation | Description                        | Abbreviation                                | Description            |
|--------------|------------------------------------|---|------------------------|
| b            | Bit position                       | IRR   | Indirect register pair |
| cc           | Condition code                     | p   | Polarity (0 or 1)      |
| X            | 8-bit signed index or displacement | r   | 4-bit working register |
| DA           | Destination address                | R   | 8-bit register         |
| ER           | Extended addressing register       | r1, R1, Ir1, Irr1, IR1, rr1, RR1, IRR1, ER1 | Destination address    |
| IM           | Immediate data value               | r2, R2, Ir2, Irr2, IR2, rr2, RR2, IRR2, ER2 | Source address         |
| Ir           | Indirect working register          | RA  | Relative               |
| IR           | Indirect register                  | rr  | Working register pair  |
| Irr          | Indirect working register pair     | RR  | Register pair          |

|                    |   | Lower Nibble (Hex) |                     |                       |                        |                      |                       |                       |                         |                        |                        | A                   | B                 | C                  | D                  | E                | F                         |
|--------------------|---|--------------------|---------------------|-----------------------|------------------------|----------------------|-----------------------|-----------------------|-------------------------|------------------------|------------------------|---------------------|-------------------|--------------------|--------------------|------------------|---------------------------|
|                    |   | 0                  | 1                   | 2                     | 3                      | 4                    | 5                     | 6                     | 7                       | 8                      | 9                      |                     |                   |                    |                    |                  |                           |
| Upper Nibble (Hex) | 0 | 1.2<br>BRK         | 2.2<br>SRP<br>IM    | 2.3<br>ADD<br>r1,r2   | 2.4<br>ADD<br>r1,lr2   | 3.3<br>ADD<br>R2,R1  | 3.4<br>ADD<br>IR2,R1  | 3.3<br>ADD<br>R1,IM   | 3.4<br>ADD<br>IR1,IM    | 4.3<br>ADDX<br>ER2,ER1 | 4.3<br>ADDX<br>IM,ER1  | 2.3<br>DJNZ<br>r1,X | 2.2<br>JR<br>cc,X | 2.2<br>LD<br>r1,IM | 3.2<br>JP<br>cc,DA | 1.2<br>INC<br>r1 | 1.2<br>NOP                |
|                    | 1 | 2.2<br>RLC<br>R1   | 2.3<br>RLC<br>IR1   | 2.3<br>ADC<br>r1,r2   | 2.4<br>ADC<br>r1,lr2   | 3.3<br>ADC<br>R2,R1  | 3.4<br>ADC<br>IR2,R1  | 3.3<br>ADC<br>R1,IM   | 3.4<br>ADC<br>IR1,IM    | 4.3<br>ADDX<br>ER2,ER1 | 4.3<br>ADDX<br>IM,ER1  |                     |                   |                    |                    |                  | See 2nd<br>Op Code<br>Map |
|                    | 2 | 2.2<br>INC<br>R1   | 2.3<br>INC<br>IR1   | 2.3<br>SUB<br>r1,r2   | 2.4<br>SUB<br>r1,lr2   | 3.3<br>SUB<br>R2,R1  | 3.4<br>SUB<br>IR2,R1  | 3.3<br>SUB<br>R1,IM   | 3.4<br>SUB<br>IR1,IM    | 4.3<br>SUBX<br>ER2,ER1 | 4.3<br>SUBX<br>IM,ER1  |                     |                   |                    |                    |                  |                           |
|                    | 3 | 2.2<br>DEC<br>R1   | 2.3<br>DEC<br>IR1   | 2.3<br>SBC<br>r1,r2   | 2.4<br>SBC<br>r1,lr2   | 3.3<br>SBC<br>R2,R1  | 3.4<br>SBC<br>IR2,R1  | 3.3<br>SBC<br>R1,IM   | 3.4<br>SBC<br>IR1,IM    | 4.3<br>SBCX<br>ER2,ER1 | 4.3<br>SBCX<br>IM,ER1  |                     |                   |                    |                    |                  |                           |
|                    | 4 | 2.2<br>DA<br>R1    | 2.3<br>DA<br>IR1    | 2.3<br>OR<br>r1,r2    | 2.4<br>OR<br>r1,lr2    | 3.3<br>OR<br>R2,R1   | 3.4<br>OR<br>IR2,R1   | 3.3<br>OR<br>R1,IM    | 3.4<br>OR<br>IR1,IM     | 4.3<br>ORX<br>ER2,ER1  | 4.3<br>ORX<br>IM,ER1   |                     |                   |                    |                    |                  |                           |
|                    | 5 | 2.2<br>POP<br>R1   | 2.3<br>POP<br>IR1   | 2.3<br>AND<br>r1,r2   | 2.4<br>AND<br>r1,lr2   | 3.3<br>AND<br>R2,R1  | 3.4<br>AND<br>IR2,R1  | 3.3<br>AND<br>R1,IM   | 3.4<br>AND<br>IR1,IM    | 4.3<br>ANDX<br>ER2,ER1 | 4.3<br>ANDX<br>IM,ER1  |                     |                   |                    |                    |                  | 1.2<br>WDT                |
|                    | 6 | 2.2<br>COM<br>R1   | 2.3<br>COM<br>IR1   | 2.3<br>TCM<br>r1,r2   | 2.4<br>TCM<br>r1,lr2   | 3.3<br>TCM<br>R2,R1  | 3.4<br>TCM<br>IR2,R1  | 3.3<br>TCM<br>R1,IM   | 3.4<br>TCM<br>IR1,IM    | 4.3<br>TCMX<br>ER2,ER1 | 4.3<br>TCMX<br>IM,ER1  |                     |                   |                    |                    |                  | 1.2<br>STOP               |
|                    | 7 | 2.2<br>PUSH<br>R2  | 2.3<br>PUSH<br>IR2  | 2.3<br>TM<br>r1,r2    | 2.4<br>TM<br>r1,lr2    | 3.3<br>TM<br>R2,R1   | 3.4<br>TM<br>IR2,R1   | 3.3<br>TM<br>R1,IM    | 3.4<br>TM<br>IR1,IM     | 4.3<br>TMX<br>ER2,ER1  | 4.3<br>TMX<br>IM,ER1   |                     |                   |                    |                    |                  | 1.2<br>HALT               |
|                    | 8 | 2.5<br>DECW<br>RR1 | 2.6<br>DECW<br>IRR1 | 2.5<br>LDE<br>r1,lr2  | 2.9<br>LDEI<br>lr1,lr2 | 3.2<br>LDX<br>r1,ER2 | 3.3<br>LDX<br>lr1,ER2 | 3.4<br>LDX<br>IRR2,R1 | 3.5<br>LDX<br>IRR2,IR1  | 3.4<br>LDX<br>r1,r2,X  | 3.4<br>LDX<br>rr1,r2,X |                     |                   |                    |                    |                  | 1.2<br>DI                 |
|                    | 9 | 2.2<br>RL<br>R1    | 2.3<br>RL<br>IR1    | 2.5<br>LDE<br>r2,lr1  | 2.9<br>LDEI<br>lr2,lr1 | 3.2<br>LDX<br>r2,ER1 | 3.3<br>LDX<br>lr2,ER1 | 3.4<br>LDX<br>R2,IRR1 | 3.5<br>LDX<br>IRR2,IRR1 | 3.3<br>LEA<br>r1,r2,X  | 3.5<br>LEA<br>rr1,r2,X |                     |                   |                    |                    |                  | 1.2<br>EI                 |
|                    | A | 2.5<br>INCW<br>RR1 | 2.6<br>INCW<br>IRR1 | 2.3<br>CP<br>r1,r2    | 2.4<br>CP<br>r1,lr2    | 3.3<br>CP<br>R2,R1   | 3.4<br>CP<br>IR2,R1   | 3.3<br>CP<br>R1,IM    | 3.4<br>CP<br>IR1,IM     | 4.3<br>CPX<br>ER2,ER1  | 4.3<br>CPX<br>IM,ER1   |                     |                   |                    |                    |                  | 1.4<br>RET                |
|                    | B | 2.2<br>CLR<br>R1   | 2.3<br>CLR<br>IR1   | 2.3<br>XOR<br>r1,r2   | 2.4<br>XOR<br>r1,lr2   | 3.3<br>XOR<br>R2,R1  | 3.4<br>XOR<br>IR2,R1  | 3.3<br>XOR<br>R1,IM   | 3.4<br>XOR<br>IR1,IM    | 4.3<br>XORX<br>ER2,ER1 | 4.3<br>XORX<br>IM,ER1  |                     |                   |                    |                    |                  | 1.5<br>IRET               |
|                    | C | 2.2<br>RRC<br>R1   | 2.3<br>RRC<br>IR1   | 2.5<br>LDC<br>r1,lr2  | 2.9<br>LDCI<br>lr1,lr2 | 2.3<br>JP<br>IRR1    | 2.9<br>LDC<br>lr1,lr2 |                       | 3.4<br>LD<br>r1,r2,X    | 3.2<br>PUSHX<br>ER2    |                        |                     |                   |                    |                    |                  | 1.2<br>RCF                |
|                    | D | 2.2<br>SRA<br>R1   | 2.3<br>SRA<br>IR1   | 2.5<br>LDC<br>r2,lr1  | 2.9<br>LDCI<br>lr2,lr1 | 2.6<br>CALL<br>IRR1  | 2.2<br>BSWAP<br>R1    | 3.3<br>CALL<br>DA     | 3.4<br>LD<br>r2,r1,X    | 3.2<br>POPX<br>ER1     |                        |                     |                   |                    |                    |                  | 1.2<br>SCF                |
|                    | E | 2.2<br>RR<br>R1    | 2.3<br>RR<br>IR1    | 2.2<br>BIT<br>p,b,r1  | 2.3<br>LD<br>r1,lr2    | 3.2<br>LD<br>R2,R1   | 3.3<br>LD<br>IR2,R1   | 3.2<br>LD<br>R1,IM    | 3.3<br>LD<br>IR1,IM     | 4.2<br>LDX<br>ER2,ER1  | 4.2<br>LDX<br>IM,ER1   |                     |                   |                    |                    |                  | 1.2<br>CCF                |
|                    | F | 2.2<br>SWAP<br>R1  | 2.3<br>SWAP<br>IR1  | 2.6<br>TRAP<br>Vector | 2.3<br>LD<br>lr1,r2    | 2.8<br>MULT<br>RR1   | 3.3<br>LD<br>R2,IR1   | 3.3<br>LD<br>p,b,r1,X | 3.4<br>BTJ<br>p,b,lr1,X |                        |                        |                     |                   |                    |                    |                  |                           |

Figure 58. First Op Code Map

|                    |   | Lower Nibble (Hex) |                   |                     |                      |                     |                      |                     |                      |                        |                        |   |   |   |   |   |   |
|--------------------|---|--------------------|-------------------|---------------------|----------------------|---------------------|----------------------|---------------------|----------------------|------------------------|------------------------|---|---|---|---|---|---|
|                    |   | 0                  | 1                 | 2                   | 3                    | 4                   | 5                    | 6                   | 7                    | 8                      | 9                      | A | B | C | D | E | F |
| Upper Nibble (Hex) | 0 |                    |                   |                     |                      |                     |                      |                     |                      |                        |                        |   |   |   |   |   |   |
|                    | 1 |                    |                   |                     |                      |                     |                      |                     |                      |                        |                        |   |   |   |   |   |   |
|                    | 2 |                    |                   |                     |                      |                     |                      |                     |                      |                        |                        |   |   |   |   |   |   |
|                    | 3 |                    |                   |                     |                      |                     |                      |                     |                      |                        |                        |   |   |   |   |   |   |
|                    | 4 |                    |                   |                     |                      |                     |                      |                     |                      |                        |                        |   |   |   |   |   |   |
|                    | 5 |                    |                   |                     |                      |                     |                      |                     |                      |                        |                        |   |   |   |   |   |   |
|                    | 6 |                    |                   |                     |                      |                     |                      |                     |                      |                        |                        |   |   |   |   |   |   |
|                    | 7 |                    |                   |                     |                      |                     |                      |                     |                      |                        |                        |   |   |   |   |   |   |
|                    | 8 |                    |                   |                     |                      |                     |                      |                     |                      |                        |                        |   |   |   |   |   |   |
|                    | 9 |                    |                   |                     |                      |                     |                      |                     |                      |                        |                        |   |   |   |   |   |   |
|                    | A |                    |                   | 3.3<br>CPC<br>r1,r2 | 3.4<br>CPC<br>r1,lr2 | 4.3<br>CPC<br>R2,R1 | 4.4<br>CPC<br>IR2,R1 | 4.3<br>CPC<br>R1,IM | 4.4<br>CPC<br>IR1,IM | 5.3<br>CPCX<br>ER2,ER1 | 5.3<br>CPCX<br>IM,ER1  |   |   |   |   |   |   |
|                    | B |                    |                   |                     |                      |                     |                      |                     |                      |                        |                        |   |   |   |   |   |   |
|                    | C | 3.2<br>SRL<br>R1   | 3.3<br>SRL<br>IR1 |                     |                      |                     |                      |                     |                      |                        |                        |   |   |   |   |   |   |
|                    | D |                    |                   |                     |                      |                     |                      |                     |                      |                        | 5.4<br>LDWX<br>ER2,ER1 |   |   |   |   |   |   |
|                    | E |                    |                   |                     |                      |                     |                      |                     |                      |                        |                        |   |   |   |   |   |   |
|                    | F |                    |                   |                     |                      |                     |                      |                     |                      |                        |                        |   |   |   |   |   |   |

Figure 59. Second Op Code Map after 1FH

## Packaging

Zilog's Z8 Encore! XP<sup>®</sup> F0822 Series of MCUs includes the Z8F0411, Z8F0421, Z8F0811 and Z8F0821 devices, which are available in the following packages:

- 20-pin Small Shrink Outline Package (SSOP)
- 20-pin Plastic Dual-Inline Package (PDIP)

Zilog's Z8 Encore! XP<sup>®</sup> F0822 Series of MCUs also includes the Z8F0412, Z8F0422, Z8F0812 and Z8F0822 devices, which are available in the following packages:

- 28-pin Small Outline Integrated Circuit Package (SOIC)
- 28-pin Plastic Dual-Inline Package (PDIP)

Current diagrams for each of these packages are published in Zilog's [Packaging Product Specification \(PS0072\)](#), which is available free for download from the Zilog website.

## Ordering Information

Order your Z8 Encore! XP<sup>®</sup> F0822 Series products from Zilog using the part numbers shown in Table 129. For more information about ordering, please consult your local Zilog sales office. The [Sales Location page](#) on the Zilog website lists all regional offices.

**Table 129. Z8 Encore! XP F0830 Series Ordering Matrix**

| Part Number   | Flash | RAM | I/O Lines | Interrupts | 16-Bit Timers w/PWM | 10-Bit A/D Channels | I <sup>2</sup> C | SPI | UARTs with IrDA | Description         |
|---|-------|-----|-----------|------------|---------------------|---------------------|------------------|-----|-----------------|---------------------|
| <b>Z8F08xx with 8KB Flash, 10-Bit Analog-to-Digital Converter</b> |       |     |           |            |                     |                     |                  |     |                 |                     |
| <b>Standard Temperature: 0°C to 70°C</b>                          |       |     |           |            |                     |                     |                  |     |                 |                     |
| Z8F0821HH020SG  | 8KB   | 1KB | 11        | 16         | 2                   | 2                   | 1                | 0   | 1               | SSOP 20-pin package |
| Z8F0821PH020SG  | 8KB   | 1KB | 11        | 16         | 2                   | 2                   | 1                | 0   | 1               | PDIP 20-pin package |
| Z8F0822SJ020SG  | 8KB   | 1KB | 19        | 19         | 2                   | 5                   | 1                | 1   | 1               | SOIC 28-pin package |
| Z8F0822PJ020SG  | 8KB   | 1KB | 19        | 19         | 2                   | 5                   | 1                | 1   | 1               | PDIP 28-pin package |
| <b>Extended Temperature: -40° to +105°C</b>                       |       |     |           |            |                     |                     |                  |     |                 |                     |
| Z8F0821HH020EG  | 8KB   | 1KB | 11        | 16         | 2                   | 2                   | 1                | 0   | 1               | SSOP 20-pin package |
| Z8F0821PH020EG  | 8KB   | 1KB | 11        | 16         | 2                   | 2                   | 1                | 0   | 1               | PDIP 20-pin package |
| Z8F0822SJ020EG  | 8KB   | 1KB | 19        | 19         | 2                   | 5                   | 1                | 1   | 1               | SOIC 28-pin package |
| Z8F0822PJ020EG  | 8KB   | 1KB | 19        | 19         | 2                   | 5                   | 1                | 1   | 1               | PDIP 28-pin package |
| <b>Z8F08xx with 8KB Flash</b>                                     |       |     |           |            |                     |                     |                  |     |                 |                     |
| <b>Standard Temperature: 0°C to 70°C</b>                          |       |     |           |            |                     |                     |                  |     |                 |                     |
| Z8F0811HH020SG  | 8KB   | 1KB | 11        | 16         | 2                   | 0                   | 1                | 0   | 1               | SSOP 20-pin package |
| Z8F0811PH020SG  | 8KB   | 1KB | 11        | 16         | 2                   | 0                   | 1                | 0   | 1               | PDIP 20-pin package |
| Z8F0812SJ020SG  | 8KB   | 1KB | 19        | 19         | 2                   | 0                   | 1                | 1   | 1               | SOIC 28-pin package |
| Z8F0812PJ020SG  | 8KB   | 1KB | 19        | 19         | 2                   | 0                   | 1                | 1   | 1               | PDIP 28-pin package |
| <b>Extended Temperature: -40°C to +105°C</b>                      |       |     |           |            |                     |                     |                  |     |                 |                     |
| Z8F0811HH020EG  | 8KB   | 1KB | 11        | 16         | 2                   | 0                   | 1                | 0   | 1               | SSOP 20-pin package |
| Z8F0811PH020EG  | 8KB   | 1KB | 11        | 16         | 2                   | 0                   | 1                | 0   | 1               | PDIP 20-pin package |
| Z8F0812SJ020EG  | 8KB   | 1KB | 19        | 19         | 2                   | 0                   | 1                | 1   | 1               | SOIC 28-pin package |
| Z8F0812PJ020EG  | 8KB   | 1KB | 19        | 19         | 2                   | 0                   | 1                | 1   | 1               | PDIP 28-pin package |

Table 129. Z8 Encore! XP F0830 Series Ordering Matrix

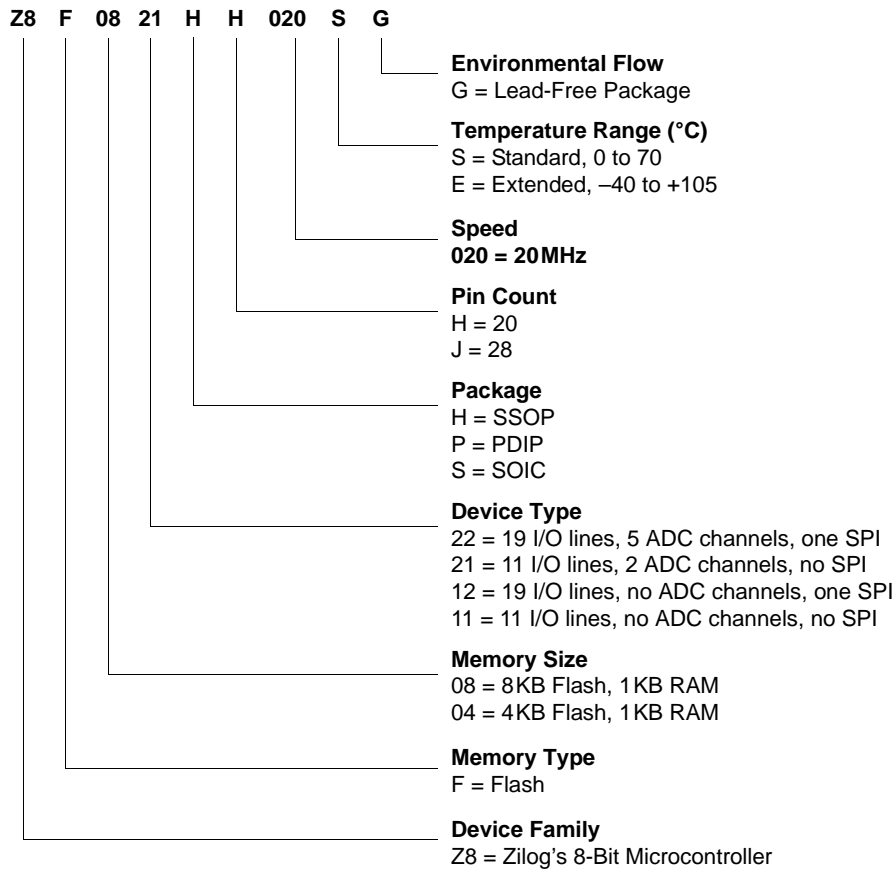
| Part Number   | Flash                                       | RAM | I/O Lines | Interrupts | 16-Bit Timers w/PWM | 10-Bit A/D Channels | I <sup>2</sup> C | SPI | UARTs with IrDA | Description         |
|---|---|-----|-----------|------------|---------------------|---------------------|------------------|-----|-----------------|---------------------|
| <b>Z8F04xx with 4KB Flash, 10-Bit Analog-to-Digital Converter</b> |   |     |           |            |                     |                     |                  |     |                 |                     |
| <b>Standard Temperature: 0°C to 70°C</b>                          |   |     |           |            |                     |                     |                  |     |                 |                     |
| Z8F0421HH020SG  | 4KB   | 1KB | 11        | 16         | 2                   | 2                   | 1                | 0   | 1               | SSOP 20-pin package |
| Z8F0421PH020SG  | 4KB   | 1KB | 11        | 16         | 2                   | 2                   | 1                | 0   | 1               | PDIP 20-pin package |
| Z8F0422SJ020SG  | 4KB   | 1KB | 19        | 19         | 2                   | 5                   | 1                | 1   | 1               | SOIC 28-pin package |
| Z8F0422PJ020SG  | 4KB   | 1KB | 19        | 19         | 2                   | 5                   | 1                | 1   | 1               | PDIP 28-pin package |
| <b>Extended Temperature: -40°C to 105°C</b>                       |   |     |           |            |                     |                     |                  |     |                 |                     |
| Z8F0421HH020EG  | 4KB   | 1KB | 11        | 16         | 2                   | 2                   | 1                | 0   | 1               | SSOP 20-pin package |
| Z8F0421PH020EG  | 4KB   | 1KB | 11        | 16         | 2                   | 2                   | 1                | 0   | 1               | PDIP 20-pin package |
| Z8F0422SJ020EG  | 4KB   | 1KB | 19        | 19         | 2                   | 5                   | 1                | 1   | 1               | SOIC 28-pin package |
| Z8F0422PJ020EG  | 4KB   | 1KB | 19        | 19         | 2                   | 5                   | 1                | 1   | 1               | PDIP 28-pin package |
| <b>Z8F04xx with 4KB Flash</b>                                     |   |     |           |            |                     |                     |                  |     |                 |                     |
| <b>Standard Temperature: 0°C to 70°C</b>                          |   |     |           |            |                     |                     |                  |     |                 |                     |
| Z8F0411HH020SG  | 4KB   | 1KB | 11        | 16         | 2                   | 0                   | 1                | 0   | 1               | SSOP 20-pin package |
| Z8F0411PH020SG  | 4KB   | 1KB | 11        | 16         | 2                   | 0                   | 1                | 0   | 1               | PDIP 20-pin package |
| Z8F0412SJ020SG  | 4KB   | 1KB | 19        | 19         | 2                   | 0                   | 1                | 1   | 1               | SOIC 28-pin package |
| Z8F0412PJ020SG  | 4KB   | 1KB | 19        | 19         | 2                   | 0                   | 1                | 1   | 1               | PDIP 28-pin package |
| <b>Extended Temperature: -40°C to 105°C</b>                       |   |     |           |            |                     |                     |                  |     |                 |                     |
| Z8F0411HH020EG  | 4KB   | 1KB | 11        | 16         | 2                   | 0                   | 1                | 0   | 1               | SSOP 20-pin package |
| Z8F0411PH020EG  | 4KB   | 1KB | 11        | 16         | 2                   | 0                   | 1                | 0   | 1               | PDIP 20-pin package |
| Z8F0412SJ020EG  | 4KB   | 1KB | 19        | 19         | 2                   | 0                   | 1                | 1   | 1               | SOIC 28-pin package |
| Z8F0412PJ020EG  | 4KB   | 1KB | 19        | 19         | 2                   | 0                   | 1                | 1   | 1               | PDIP 28-pin package |
| Z8F08200100KITG   | Development Kit (20- and 28-pin)            |     |           |            |                     |                     |                  |     |                 |                     |
| ZUSBSC00100ZACG   | USB Smart Cable Accessory Kit               |     |           |            |                     |                     |                  |     |                 |                     |
| ZUSBOPTSC01ZACG   | Opto-Isolated USB Smart Cable Accessory Kit |     |           |            |                     |                     |                  |     |                 |                     |

Visit the Zilog website at <http://www.zilog.com> for ordering information about Z8 Encore! XP® F0822 Series development tools and accessories.

## Part Number Suffix Designations

Zilog part numbers consist of a number of components, as indicated in the following example.

**Example.** Part number Z8F0821HH020SG is an 8-bit Flash Motor Controller with 8 KB of Program Memory, equipped with 11 I/O lines and 2 ADC channels in a 20-pin SSOP package, operating within a 0°C to +70°C temperature range and built using lead-free solder.



## Appendix A. Register Summary

For the reader's convenience, this appendix lists all Z8 Encore! XP<sup>®</sup> F0822 Series registers numerically by hexadecimal address.

### General Purpose RAM

In the Z8 Encore! XP<sup>®</sup> F0822 Series, the 000–EFF hexadecimal address range is partitioned for general-purpose random access memory, as follows.

#### Hex Addresses: 000–1FF

This address range is reserved for general-purpose register file RAM. For more details, see the [Register File Address Map](#) chapter on page 17.

#### Hex Addresses: 200–EFF

This address range is reserved.

### Timer 0 Control Registers

For more information about these Timer Control registers, see the [Timer Control Register Definitions](#) section on page 64.

#### Hex Address: F00

Table 130. Timer 0–1 High Byte Register (TxH)

| Bit     | 7          | 6 | 5 | 4 | 3 | 2 | 1 | 0 |
|---------|------------|---|---|---|---|---|---|---|
| Field   | TH         |   |   |   |   |   |   |   |
| RESET   | 0          |   |   |   |   |   |   |   |
| R/W     | R/W        |   |   |   |   |   |   |   |
| Address | F00H, F08H |   |   |   |   |   |   |   |

**Hex Address: F01**

**Table 131. Timer 0–1 Low Byte Register (TxL)**

| Bit     | 7          | 6 | 5 | 4 | 3 | 2 | 1 | 0 |
|---------|------------|---|---|---|---|---|---|---|
| Field   | TL         |   |   |   |   |   |   |   |
| RESET   | 0          |   |   |   |   |   |   | 1 |
| R/W     | R/W        |   |   |   |   |   |   |   |
| Address | F01H, F09H |   |   |   |   |   |   |   |

**Hex Address: F02**

**Table 132. Timer 0–1 Reload High Byte Register (TxRH)**

| Bit     | 7          | 6 | 5 | 4 | 3 | 2 | 1 | 0 |
|---------|------------|---|---|---|---|---|---|---|
| Field   | TRH        |   |   |   |   |   |   |   |
| RESET   | 1          |   |   |   |   |   |   |   |
| R/W     | R/W        |   |   |   |   |   |   |   |
| Address | F02H, F0AH |   |   |   |   |   |   |   |

**Hex Address: F03**

**Table 133. Timer 0–1 Reload Low Byte Register (TxRL)**

| Bit     | 7          | 6 | 5 | 4 | 3 | 2 | 1 | 0 |
|---------|------------|---|---|---|---|---|---|---|
| Field   | TRL        |   |   |   |   |   |   |   |
| RESET   | 1          |   |   |   |   |   |   |   |
| R/W     | R/W        |   |   |   |   |   |   |   |
| Address | F03H, F0BH |   |   |   |   |   |   |   |

**Hex Address: F04**

**Table 134. Timer 0–1 PWM High Byte Register (TxPWH)**

| Bit     | 7          | 6 | 5 | 4 | 3 | 2 | 1 | 0 |
|---------|------------|---|---|---|---|---|---|---|
| Field   | PWH        |   |   |   |   |   |   |   |
| RESET   | 0          |   |   |   |   |   |   |   |
| R/W     | R/W        |   |   |   |   |   |   |   |
| Address | F04H, F0CH |   |   |   |   |   |   |   |

**Hex Address: F05**

**Table 135. Timer 0–1 PWM Low Byte Register (TxPWL)**

| Bit     | 7          | 6 | 5 | 4 | 3 | 2 | 1 | 0 |
|---------|------------|---|---|---|---|---|---|---|
| Field   | PWL        |   |   |   |   |   |   |   |
| RESET   | 0          |   |   |   |   |   |   |   |
| R/W     | R/W        |   |   |   |   |   |   |   |
| Address | F05H, F0DH |   |   |   |   |   |   |   |

**Hex Address: F06**

**Table 136. Timer 0–3 Control 0 Registers (TxCTL0)**

| Bit     | 7                      | 6 | 5 | 4   | 3        | 2 | 1 | 0 |
|---------|------------------------|---|---|-----|----------|---|---|---|
| Field   | Reserved               |   |   | CSC | Reserved |   |   |   |
| RESET   | 0                      |   |   |     |          |   |   |   |
| R/W     | R/W                    |   |   |     |          |   |   |   |
| Address | F06H, F0EH, F16H, F1EH |   |   |     |          |   |   |   |

**Hex Address: F07**

**Table 137. Timer 0–1 Control Registers (TxCTL)**

| Bit     | 7          | 6    | 5    | 4 | 3 | 2     | 1 | 0 |
|---------|------------|------|------|---|---|-------|---|---|
| Field   | TEN        | TPOL | PRES |   |   | TMODE |   |   |
| RESET   | 0          |      |      |   |   |       |   |   |
| R/W     | R/W        |      |      |   |   |       |   |   |
| Address | F07H, F0FH |      |      |   |   |       |   |   |

**Hex Address: F08**

**Table 138. Timer 0–1 High Byte Register (TxH)**

| Bit     | 7          | 6 | 5 | 4 | 3 | 2 | 1 | 0 |
|---------|------------|---|---|---|---|---|---|---|
| Field   | TH         |   |   |   |   |   |   |   |
| RESET   | 0          |   |   |   |   |   |   |   |
| R/W     | R/W        |   |   |   |   |   |   |   |
| Address | F00H, F08H |   |   |   |   |   |   |   |

**Hex Address: F09**

**Table 139. Timer 0–1 Low Byte Register (TxL)**

| Bit     | 7          | 6 | 5 | 4 | 3 | 2 | 1 | 0 |
|---------|------------|---|---|---|---|---|---|---|
| Field   | TL         |   |   |   |   |   |   |   |
| RESET   | 0          |   |   |   |   |   |   | 1 |
| R/W     | R/W        |   |   |   |   |   |   |   |
| Address | F01H, F09H |   |   |   |   |   |   |   |

**Hex Address: F0A**

**Table 140. Timer 0–1 Reload High Byte Register (TxRH)**

| Bit     | 7          | 6 | 5 | 4 | 3 | 2 | 1 | 0 |
|---------|------------|---|---|---|---|---|---|---|
| Field   | TRH        |   |   |   |   |   |   |   |
| RESET   | 1          |   |   |   |   |   |   |   |
| R/W     | R/W        |   |   |   |   |   |   |   |
| Address | F02H, F0AH |   |   |   |   |   |   |   |

**Hex Address: F0B**

**Table 141. Timer 0–1 Reload Low Byte Register (TxRL)**

| Bit     | 7          | 6 | 5 | 4 | 3 | 2 | 1 | 0 |
|---------|------------|---|---|---|---|---|---|---|
| Field   | TRL        |   |   |   |   |   |   |   |
| RESET   | 1          |   |   |   |   |   |   |   |
| R/W     | R/W        |   |   |   |   |   |   |   |
| Address | F03H, F0BH |   |   |   |   |   |   |   |

**Hex Address: F0C**

**Table 142. Timer 0–1 PWM High Byte Register (TxPWMH)**

| Bit     | 7          | 6 | 5 | 4 | 3 | 2 | 1 | 0 |
|---------|------------|---|---|---|---|---|---|---|
| Field   | PWMH       |   |   |   |   |   |   |   |
| RESET   | 0          |   |   |   |   |   |   |   |
| R/W     | R/W        |   |   |   |   |   |   |   |
| Address | F04H, F0CH |   |   |   |   |   |   |   |

**Hex Address: F0D**

**Table 143. Timer 0–1 PWM Low Byte Register (TxPWML)**

| Bit     | 7          | 6 | 5 | 4 | 3 | 2 | 1 | 0 |
|---------|------------|---|---|---|---|---|---|---|
| Field   | PWML       |   |   |   |   |   |   |   |
| RESET   | 0          |   |   |   |   |   |   |   |
| R/W     | R/W        |   |   |   |   |   |   |   |
| Address | F05H, F0DH |   |   |   |   |   |   |   |

**Hex Address: F0E**

**Table 144. Timer 0–3 Control 0 Registers (TxCTL0)**

| Bit     | 7                      | 6 | 5 | 4   | 3        | 2 | 1 | 0 |
|---------|------------------------|---|---|-----|----------|---|---|---|
| Field   | Reserved               |   |   | CSC | Reserved |   |   |   |
| RESET   | 0                      |   |   |     |          |   |   |   |
| R/W     | R/W                    |   |   |     |          |   |   |   |
| Address | F06H, F0EH, F16H, F1EH |   |   |     |          |   |   |   |

**Hex Address: F0F**

**Table 145. Timer 0–1 Control Registers (TxCTL)**

| Bit     | 7          | 6    | 5    | 4 | 3 | 2     | 1 | 0 |
|---------|------------|------|------|---|---|-------|---|---|
| Field   | TEN        | TPOL | PRES |   |   | TMODE |   |   |
| RESET   | 0          |      |      |   |   |       |   |   |
| R/W     | R/W        |      |      |   |   |       |   |   |
| Address | F07H, F0FH |      |      |   |   |       |   |   |

**Hex Addresses: F10–F3F**

This address range is reserved.

## UART Control Registers

For more information about the UART registers, see the [UART Control Register Definitions](#) section on page 88.

**Hex Address: F40**

**Table 146. UART Transmit Data Register (U0TXD)**

| Bit     | 7    | 6 | 5 | 4 | 3 | 2 | 1 | 0 |
|---------|------|---|---|---|---|---|---|---|
| Field   | TXD  |   |   |   |   |   |   |   |
| RESET   | X    | X | X | X | X | X | X | X |
| R/W     | W    | W | W | W | W | W | W | W |
| Address | F40H |   |   |   |   |   |   |   |

**Table 147. UART Receive Data Register (U0RXD)**

| Bit     | 7    | 6 | 5 | 4 | 3 | 2 | 1 | 0 |
|---------|------|---|---|---|---|---|---|---|
| Field   | RXD  |   |   |   |   |   |   |   |
| RESET   | X    |   |   |   |   |   |   |   |
| R/W     | R    |   |   |   |   |   |   |   |
| Address | F40H |   |   |   |   |   |   |   |

**Hex Address: F41**

**Table 148. UART Status 0 Register (U0STAT0)**

| Bit     | 7    | 6  | 5  | 4  | 3    | 2    | 1   | 0   |
|---------|------|----|----|----|------|------|-----|-----|
| Field   | RDA  | PE | OE | FE | BRKD | TDRE | TXE | CTS |
| RESET   | 0    |    |    |    |      | 1    |     | X   |
| R/W     | R    |    |    |    |      |      |     |     |
| Address | F41H |    |    |    |      |      |     |     |

**Hex Address: F42**

**Table 149. UART Control 0 Register (U0CTL0)**

| Bit     | 7    | 6   | 5    | 4   | 3    | 2    | 1    | 0    |
|---------|------|-----|------|-----|------|------|------|------|
| Field   | TEN  | REN | CTSE | PEN | PSEL | SBRK | STOP | LBEN |
| RESET   | 0    |     |      |     |      |      |      |      |
| R/W     | R/W  |     |      |     |      |      |      |      |
| Address | F42H |     |      |     |      |      |      |      |

**Hex Address: F43**

**Table 150. UART Control 1 Register (U0CTL1)**

| Bit     | 7       | 6    | 5       | 4    | 3     | 2      | 1      | 0    |
|---------|---------|------|---------|------|-------|--------|--------|------|
| Field   | MPMD[1] | MPEN | MPMD[0] | MPBT | DEPOL | BRGCTL | RDAIRQ | IREN |
| RESET   | 0       |      |         |      |       |        |        |      |
| R/W     | R/W     |      |         |      |       |        |        |      |
| Address | F43H    |      |         |      |       |        |        |      |

**Hex Address: F44**

**Table 151. UART Status 1 Register (U0STAT1)**

| Bit     | 7        | 6 | 5 | 4 | 3   | 2 | 1      | 0    |
|---------|----------|---|---|---|-----|---|--------|------|
| Field   | Reserved |   |   |   |     |   | NEWFRM | MPRX |
| RESET   | 0        |   |   |   |     |   |        |      |
| R/W     | R        |   |   |   | R/W |   | R      |      |
| Address | F44H     |   |   |   |     |   |        |      |

**Hex Address: F45**

**Table 152. UART Address Compare Register (U0ADDR)**

| Bit     | 7         | 6 | 5 | 4 | 3 | 2 | 1 | 0 |
|---------|-----------|---|---|---|---|---|---|---|
| Field   | COMP_ADDR |   |   |   |   |   |   |   |
| RESET   | 0         |   |   |   |   |   |   |   |
| R/W     | R/W       |   |   |   |   |   |   |   |
| Address | F45H      |   |   |   |   |   |   |   |

**Hex Address: F46**

**Table 153. UART Baud Rate High Byte Register (U0BRH)**

| Bit     | 7    | 6 | 5 | 4 | 3 | 2 | 1 | 0 |
|---------|------|---|---|---|---|---|---|---|
| Field   | BRH  |   |   |   |   |   |   |   |
| RESET   | 1    |   |   |   |   |   |   |   |
| R/W     | R/W  |   |   |   |   |   |   |   |
| Address | F46H |   |   |   |   |   |   |   |

**Hex Address: F47**

**Table 154. UART Baud Rate Low Byte Register (U0BRL)**

| Bit     | 7    | 6 | 5 | 4 | 3 | 2 | 1 | 0 |
|---------|------|---|---|---|---|---|---|---|
| Field   | BRL  |   |   |   |   |   |   |   |
| RESET   | 1    |   |   |   |   |   |   |   |
| R/W     | R/W  |   |   |   |   |   |   |   |
| Address | F47H |   |   |   |   |   |   |   |

**Hex Addresses: F48–F4F**

This address range is reserved.

## I<sup>2</sup>C Control Registers

For more information about the I<sup>2</sup>C registers, see the [I2C Control Register Definitions](#) section on page 128.

**Hex Address: F50**

**Table 155. I<sup>2</sup>C Data Register (I2CDATA)**

| Bit     | 7    | 6 | 5 | 4 | 3 | 2 | 1 | 0 |
|---------|------|---|---|---|---|---|---|---|
| Field   | DATA |   |   |   |   |   |   |   |
| RESET   | 0    |   |   |   |   |   |   |   |
| R/W     | R/W  |   |   |   |   |   |   |   |
| Address | F50H |   |   |   |   |   |   |   |

**Hex Address: F51**

**Table 156. I<sup>2</sup>C Status Register (I2CSTAT)**

| Bit     | 7    | 6    | 5   | 4   | 3  | 2   | 1   | 0    |
|---------|------|------|-----|-----|----|-----|-----|------|
| Field   | TDRE | RDRF | ACK | 10B | RD | TAS | DSS | NCKI |
| RESET   | 1    | 0    |     |     |    |     |     |      |
| R/W     | R    |      |     |     |    |     |     |      |
| Address | F51H |      |     |     |    |     |     |      |

**Hex Address: F52**

**Table 157. I<sup>2</sup>C Control Register (I2CCTL)**

| Bit     | 7    | 6     | 5    | 4    | 3   | 2   | 1     | 0      |
|---------|------|-------|------|------|-----|-----|-------|--------|
| Field   | IEN  | START | STOP | BIRQ | TXI | NAK | FLUSH | FILTEN |
| RESET   | 0    |       |      |      |     |     |       |        |
| R/W     | R/W  | R/W   | R/W  | R/W  | R/W | R/W | W     | R/W    |
| Address | F52H |       |      |      |     |     |       |        |

**Hex Address: F53**

**Table 158. I<sup>2</sup>C Baud Rate High Byte Register (I2CBRH)**

| Bit     | 7    | 6 | 5 | 4 | 3 | 2 | 1 | 0 |
|---------|------|---|---|---|---|---|---|---|
| Field   | BRH  |   |   |   |   |   |   |   |
| RESET   | FFH  |   |   |   |   |   |   |   |
| R/W     | R/W  |   |   |   |   |   |   |   |
| Address | F53H |   |   |   |   |   |   |   |

**Hex Address: F54**

**Table 159. I<sup>2</sup>C Baud Rate Low Byte Register (I2CBRL)**

| Bit     | 7    | 6 | 5 | 4 | 3 | 2 | 1 | 0 |
|---------|------|---|---|---|---|---|---|---|
| Field   | BRL  |   |   |   |   |   |   |   |
| RESET   | FFH  |   |   |   |   |   |   |   |
| R/W     | R/W  |   |   |   |   |   |   |   |
| Address | F54H |   |   |   |   |   |   |   |

**Hex Address: F55**

**Table 160. I<sup>2</sup>C Diagnostic State Register (I2CDST)**

| Bit     | 7     | 6     | 5      | 4         | 3 | 2 | 1 | 0 |
|---------|-------|-------|--------|-----------|---|---|---|---|
| Field   | SCLIN | SDAIN | STPCNT | TXRXSTATE |   |   |   |   |
| RESET   | X     |       | 0      |           |   |   |   |   |
| R/W     | R     |       |        |           |   |   |   |   |
| Address | F55H  |       |        |           |   |   |   |   |

**Hex Address: F56**

**Table 161. I<sup>2</sup>C Diagnostic Control Register (I2CDIAG)**

| Bit     | 7        | 6 | 5 | 4 | 3 | 2 | 1 | 0    |
|---------|----------|---|---|---|---|---|---|------|
| Field   | Reserved |   |   |   |   |   |   | DIAG |
| RESET   | 0        |   |   |   |   |   |   |      |
| R/W     | R        |   |   |   |   |   |   | R/W  |
| Address | F56H     |   |   |   |   |   |   |      |

**Hex Addresses: F57–F5F**

This address range is reserved.

## SPI Control Registers

For more information about the SPI registers, see the [SPI Control Register Definitions](#) section on page 109.

**Hex Address: F60**

**Table 162. SPI Data Register (SPIDATA)**

| Bit     | 7    | 6 | 5 | 4 | 3 | 2 | 1 | 0 |
|---------|------|---|---|---|---|---|---|---|
| Field   | DATA |   |   |   |   |   |   |   |
| RESET   | X    |   |   |   |   |   |   |   |
| R/W     | R/W  |   |   |   |   |   |   |   |
| Address | F60H |   |   |   |   |   |   |   |

**Hex Address: F61**

**Table 163. SPI Control Register (SPICTL)**

| Bit     | 7    | 6   | 5    | 4     | 3      | 2   | 1    | 0     |
|---------|------|-----|------|-------|--------|-----|------|-------|
| Field   | IRQE | STR | BIRQ | PHASE | CLKPOL | WOR | MMEN | SPIEN |
| RESET   | 0    |     |      |       |        |     |      |       |
| R/W     | R/W  |     |      |       |        |     |      |       |
| Address | F61H |     |      |       |        |     |      |       |

**Hex Address: F62**

**Table 164. SPI Status Register (SPISTAT)**

| Bit     | 7    | 6   | 5   | 4   | 3        | 2 | 1    | 0    |
|---------|------|-----|-----|-----|----------|---|------|------|
| Field   | IRQ  | OVR | COL | ABT | Reserved |   | TXST | SLAS |
| RESET   | 0    |     |     |     |          |   |      | 1    |
| R/W     | R/W* |     |     |     | R        |   |      |      |
| Address | F62H |     |     |     |          |   |      |      |

Note: \*R/W = read access; write a 1 to clear the bit to 0.

**Hex Address: F63**

**Table 165. SPI Mode Register (SPIMODE)**

| Bit     | 7        | 6 | 5    | 4            | 3 | 2 | 1    | 0   |
|---------|----------|---|------|--------------|---|---|------|-----|
| Field   | Reserved |   | DIAG | NUMBITS[2:0] |   |   | SSIO | SSV |
| RESET   | 0        |   |      |              |   |   |      |     |
| R/W     | R        |   | R/W  |              |   |   |      |     |
| Address | F63H     |   |      |              |   |   |      |     |

**Hex Address: F64**

**Table 166. SPI Diagnostic State Register (SPIDST)**

| Bit     | 7     | 6     | 5        | 4 | 3 | 2 | 1 | 0 |
|---------|-------|-------|----------|---|---|---|---|---|
| Field   | SCKEN | TCKEN | SPISTATE |   |   |   |   |   |
| RESET   | 0     |       |          |   |   |   |   |   |
| R/W     | R     |       |          |   |   |   |   |   |
| Address | F64H  |       |          |   |   |   |   |   |

**Hex Address: F65**

This address is reserved.

**Hex Address: F66**

**Table 167. SPI Baud Rate High Byte Register (SPIBRH)**

| Bit     | 7    | 6 | 5 | 4 | 3 | 2 | 1 | 0 |
|---------|------|---|---|---|---|---|---|---|
| Field   | BRH  |   |   |   |   |   |   |   |
| RESET   | 1    |   |   |   |   |   |   |   |
| R/W     | R/W  |   |   |   |   |   |   |   |
| Address | F66H |   |   |   |   |   |   |   |

**Hex Address: F67**

**Table 168. SPI Baud Rate Low Byte Register (SPIBRL)**

| Bit     | 7    | 6 | 5 | 4 | 3 | 2 | 1 | 0 |
|---------|------|---|---|---|---|---|---|---|
| Field   | BRL  |   |   |   |   |   |   |   |
| RESET   | 1    |   |   |   |   |   |   |   |
| R/W     | R/W  |   |   |   |   |   |   |   |
| Address | F67H |   |   |   |   |   |   |   |

**Hex Addresses: F68–F6F**

This address range is reserved.

## Analog-to-Digital Converter Control Registers

For more information about these ADC registers, see the [ADC Control Register Definitions](#) section on page 139.

**Hex Address: F70**

**Table 169. ADC Control Register (ADCCTL)**

| Bit     | 7    | 6        | 5    | 4    | 3          | 2 | 1 | 0 |
|---------|------|----------|------|------|------------|---|---|---|
| Field   | CEN  | Reserved | VREF | CONT | ANAIN[3:0] |   |   |   |
| RESET   | 0    |          | 1    | 0    |            |   |   |   |
| R/W     | R/W  |          |      |      |            |   |   |   |
| Address | F70H |          |      |      |            |   |   |   |

**Hex Address: F71**

This address is reserved.

**Hex Address: F72**

**Table 170. ADC Data High Byte Register (ADCD\_H)**

| Bit     | 7      | 6 | 5 | 4 | 3 | 2 | 1 | 0 |
|---------|--------|---|---|---|---|---|---|---|
| Field   | ADCD_H |   |   |   |   |   |   |   |
| RESET   | X      |   |   |   |   |   |   |   |
| R/W     | R      |   |   |   |   |   |   |   |
| Address | F72H   |   |   |   |   |   |   |   |

**Hex Address: F73**

**Table 171. ADC Data Low Bits Register (ADCD\_L)**

| Bit     | 7      | 6 | 5        | 4 | 3 | 2 | 1 | 0 |
|---------|--------|---|----------|---|---|---|---|---|
| Field   | ADCD_L |   | Reserved |   |   |   |   |   |
| RESET   | X      |   |          |   |   |   |   |   |
| R/W     | R      |   |          |   |   |   |   |   |
| Address | F73H   |   |          |   |   |   |   |   |

**Hex Addresses: F74–FBF**

This address range is reserved.

## Interrupt Request Control Registers

For more information about the IRQ registers, see the [Interrupt Control Register Definitions](#) section on page 45.

**Hex Address: FC0**

**Table 172. Interrupt Request 0 Register (IRQ0)**

| Bit     | 7        | 6   | 5   | 4     | 3     | 2    | 1    | 0    |
|---------|----------|-----|-----|-------|-------|------|------|------|
| Field   | Reserved | T1I | T0I | U0RXI | U0TXI | I2CI | SPII | ADCI |
| RESET   | 0        |     |     |       |       |      |      |      |
| R/W     | R/W      |     |     |       |       |      |      |      |
| Address | FC0H     |     |     |       |       |      |      |      |

**Hex Address: FC1**

**Table 173. IRQ0 Enable High Bit Register (IRQ0ENH)**

| Bit     | 7        | 6     | 5     | 4      | 3      | 2      | 1      | 0      |
|---------|----------|-------|-------|--------|--------|--------|--------|--------|
| Field   | Reserved | T1ENH | T0ENH | U0RENH | U0TENH | I2CENH | SPIENH | ADCENH |
| RESET   | 0        |       |       |        |        |        |        |        |
| R/W     | R/W      |       |       |        |        |        |        |        |
| Address | FC1H     |       |       |        |        |        |        |        |

**Hex Address: FC2**

**Table 174. IRQ0 Enable Low Bit Register (IRQ0ENL)**

| Bit     | 7        | 6     | 5     | 4      | 3      | 2      | 1      | 0      |
|---------|----------|-------|-------|--------|--------|--------|--------|--------|
| Field   | Reserved | T1ENL | T0ENL | U0RENL | U0TENL | I2CENL | SPIENL | ADCENL |
| RESET   | 0        |       |       |        |        |        |        |        |
| R/W     | R/W      |       |       |        |        |        |        |        |
| Address | FC2H     |       |       |        |        |        |        |        |

**Hex Address: FC3**

**Table 175. Interrupt Request 1 Register (IRQ1)**

| Bit     | 7    | 6    | 5    | 4    | 3    | 2    | 1    | 0    |
|---------|------|------|------|------|------|------|------|------|
| Field   | PA7I | PA6I | PA5I | PA4I | PA3I | PA2I | PA1I | PA0I |
| RESET   | 0    |      |      |      |      |      |      |      |
| R/W     | R/W  |      |      |      |      |      |      |      |
| Address | FC3H |      |      |      |      |      |      |      |

**Hex Address: FC4**

**Table 176. IRQ1 Enable High Bit Register (IRQ1ENH)**

| Bit     | 7      | 6      | 5      | 4      | 3      | 2      | 1      | 0      |
|---------|--------|--------|--------|--------|--------|--------|--------|--------|
| Field   | PA7ENH | PA6ENH | PA5ENH | PA4ENH | PA3ENH | PA2ENH | PA1ENH | PA0ENH |
| RESET   | 0      |        |        |        |        |        |        |        |
| R/W     | R/W    |        |        |        |        |        |        |        |
| Address | FC4H   |        |        |        |        |        |        |        |

**Hex Address: FC5**

**Table 177. IRQ1 Enable Low Bit Register (IRQ1ENL)**

| Bit     | 7      | 6      | 5      | 4      | 3      | 2      | 1      | 0      |
|---------|--------|--------|--------|--------|--------|--------|--------|--------|
| Field   | PA7ENL | PA6ENL | PA5ENL | PA4ENL | PA3ENL | PA2ENL | PA1ENL | PA0ENL |
| RESET   | 0      |        |        |        |        |        |        |        |
| R/W     | R/W    |        |        |        |        |        |        |        |
| Address | FC5H   |        |        |        |        |        |        |        |

**Hex Address: FC6**

**Table 178. Interrupt Request 2 Register (IRQ2)**

| Bit     | 7        | 6 | 5 | 4 | 3    | 2    | 1    | 0    |
|---------|----------|---|---|---|------|------|------|------|
| Field   | Reserved |   |   |   | PC3I | PC2I | PC1I | PC0I |
| RESET   | 0        |   |   |   |      |      |      |      |
| R/W     | R/W      |   |   |   |      |      |      |      |
| Address | FC6H     |   |   |   |      |      |      |      |

**Hex Address: FC7**

**Table 179. IRQ2 Enable High Bit Register (IRQ2ENH)**

| Bit     | 7        | 6 | 5 | 4 | 3     | 2     | 1     | 0     |
|---------|----------|---|---|---|-------|-------|-------|-------|
| Field   | Reserved |   |   |   | C3ENH | C2ENH | C1ENH | C0ENH |
| RESET   | 0        |   |   |   |       |       |       |       |
| R/W     | R/W      |   |   |   |       |       |       |       |
| Address | FC7H     |   |   |   |       |       |       |       |

**Hex Address: FC8**

**Table 180. IRQ2 Enable Low Bit Register (IRQ2ENL)**

| Bit     | 7        | 6 | 5 | 4 | 3     | 2     | 1     | 0     |
|---------|----------|---|---|---|-------|-------|-------|-------|
| Field   | Reserved |   |   |   | C3ENL | C2ENL | C1ENL | C0ENL |
| RESET   | 0        |   |   |   |       |       |       |       |
| R/W     | R/W      |   |   |   |       |       |       |       |
| Address | FC8H     |   |   |   |       |       |       |       |

**Hex Addresses: FC9–FCE**

This address range is reserved.

**Hex Address: FCF**

**Table 181. Interrupt Control Register (IRQCTL)**

| Bit     | 7    | 6        | 5 | 4 | 3 | 2 | 1 | 0 |
|---------|------|----------|---|---|---|---|---|---|
| Field   | IRQE | Reserved |   |   |   |   |   |   |
| RESET   | 0    |          |   |   |   |   |   |   |
| R/W     | R/W  | R        |   |   |   |   |   |   |
| Address | FCFH |          |   |   |   |   |   |   |

## GPIO Control Registers

For more information about the GPIO control registers, see the [GPIO Control Register Definitions](#) section on page 31.

**Hex Address: FD0**

**Table 182. Port A–C GPIO Address Registers (PxADDR)**

| Bit     | 7                | 6 | 5 | 4 | 3 | 2 | 1 | 0 |
|---------|------------------|---|---|---|---|---|---|---|
| Field   | PADDR[7:0]       |   |   |   |   |   |   |   |
| RESET   | 00H              |   |   |   |   |   |   |   |
| R/W     | R/W              |   |   |   |   |   |   |   |
| Address | FD0H, FD4H, FD8H |   |   |   |   |   |   |   |

**Hex Address: FD1**

**Table 183. Port A–C Control Registers (PxCTL)**

| Bit     | 7                | 6 | 5 | 4 | 3 | 2 | 1 | 0 |
|---------|------------------|---|---|---|---|---|---|---|
| Field   | PCTL             |   |   |   |   |   |   |   |
| RESET   | 00H              |   |   |   |   |   |   |   |
| R/W     | R/W              |   |   |   |   |   |   |   |
| Address | FD1H, FD5H, FD9H |   |   |   |   |   |   |   |

**Hex Address: FD2**

**Table 184. Port A–C Input Data Registers (PxIN)**

| Bit     | 7                | 6    | 5    | 4    | 3    | 2    | 1    | 0    |
|---------|------------------|------|------|------|------|------|------|------|
| Field   | PIN7             | PIN6 | PIN5 | PIN4 | PIN3 | PIN2 | PIN1 | PIN0 |
| RESET   | X                |      |      |      |      |      |      |      |
| R/W     | R                |      |      |      |      |      |      |      |
| Address | FD2H, FD6H, FDAH |      |      |      |      |      |      |      |

**Hex Address: FD3**

**Table 185. Port A–C Output Data Register (PxOUT)**

| Bit     | 7                | 6     | 5     | 4     | 3     | 2     | 1     | 0     |
|---------|------------------|-------|-------|-------|-------|-------|-------|-------|
| Field   | POUT7            | POUT6 | POUT5 | POUT4 | POUT3 | POUT2 | POUT1 | POUT0 |
| RESET   | 0                |       |       |       |       |       |       |       |
| R/W     | R/W              |       |       |       |       |       |       |       |
| Address | FD3H, FD7H, FDBH |       |       |       |       |       |       |       |

**Hex Address: FD4**

**Table 186. Port A–C GPIO Address Registers (PxADDR)**

| Bit     | 7                | 6 | 5 | 4 | 3 | 2 | 1 | 0 |
|---------|------------------|---|---|---|---|---|---|---|
| Field   | PADDR[7:0]       |   |   |   |   |   |   |   |
| RESET   | 00H              |   |   |   |   |   |   |   |
| R/W     | R/W              |   |   |   |   |   |   |   |
| Address | FD0H, FD4H, FD8H |   |   |   |   |   |   |   |

**Hex Address: FD5**

**Table 187. Port A–C Control Registers (PxCTL)**

| Bit     | 7                | 6 | 5 | 4 | 3 | 2 | 1 | 0 |
|---------|------------------|---|---|---|---|---|---|---|
| Field   | PCTL             |   |   |   |   |   |   |   |
| RESET   | 00H              |   |   |   |   |   |   |   |
| R/W     | R/W              |   |   |   |   |   |   |   |
| Address | FD1H, FD5H, FD9H |   |   |   |   |   |   |   |

**Hex Address: FD6**

**Table 188. Port A–C Input Data Registers (PxIN)**

| Bit     | 7                | 6    | 5    | 4    | 3    | 2    | 1    | 0    |
|---------|------------------|------|------|------|------|------|------|------|
| Field   | PIN7             | PIN6 | PIN5 | PIN4 | PIN3 | PIN2 | PIN1 | PIN0 |
| RESET   | X                |      |      |      |      |      |      |      |
| R/W     | R                |      |      |      |      |      |      |      |
| Address | FD2H, FD6H, FDAH |      |      |      |      |      |      |      |

**Hex Address: FD7**

**Table 189. Port A–C Output Data Register (PxOUT)**

| Bit     | 7                | 6     | 5     | 4     | 3     | 2     | 1     | 0     |
|---------|------------------|-------|-------|-------|-------|-------|-------|-------|
| Field   | POUT7            | POUT6 | POUT5 | POUT4 | POUT3 | POUT2 | POUT1 | POUT0 |
| RESET   | 0                |       |       |       |       |       |       |       |
| R/W     | R/W              |       |       |       |       |       |       |       |
| Address | FD3H, FD7H, FDBH |       |       |       |       |       |       |       |

**Hex Address: FD8**

**Table 190. Port A–C GPIO Address Registers (PxADDR)**

| Bit     | 7                | 6 | 5 | 4 | 3 | 2 | 1 | 0 |
|---------|------------------|---|---|---|---|---|---|---|
| Field   | PADDR[7:0]       |   |   |   |   |   |   |   |
| RESET   | 00H              |   |   |   |   |   |   |   |
| R/W     | R/W              |   |   |   |   |   |   |   |
| Address | FD0H, FD4H, FD8H |   |   |   |   |   |   |   |

**Hex Address: FD9**

**Table 191. Port A–C Control Registers (PxCTL)**

| Bit     | 7                | 6 | 5 | 4 | 3 | 2 | 1 | 0 |
|---------|------------------|---|---|---|---|---|---|---|
| Field   | PCTL             |   |   |   |   |   |   |   |
| RESET   | 00H              |   |   |   |   |   |   |   |
| R/W     | R/W              |   |   |   |   |   |   |   |
| Address | FD1H, FD5H, FD9H |   |   |   |   |   |   |   |

**Hex Address: FDA**

**Table 192. Port A–C Input Data Registers (PxIN)**

| Bit     | 7                | 6    | 5    | 4    | 3    | 2    | 1    | 0    |
|---------|------------------|------|------|------|------|------|------|------|
| Field   | PIN7             | PIN6 | PIN5 | PIN4 | PIN3 | PIN2 | PIN1 | PIN0 |
| RESET   | X                |      |      |      |      |      |      |      |
| R/W     | R                |      |      |      |      |      |      |      |
| Address | FD2H, FD6H, FDAH |      |      |      |      |      |      |      |

**Hex Address: FDB**

**Table 193. Port A–C Output Data Register (PxOUT)**

| Bit     | 7                | 6     | 5     | 4     | 3     | 2     | 1     | 0     |
|---------|------------------|-------|-------|-------|-------|-------|-------|-------|
| Field   | POUT7            | POUT6 | POUT5 | POUT4 | POUT3 | POUT2 | POUT1 | POUT0 |
| RESET   | 0                |       |       |       |       |       |       |       |
| R/W     | R/W              |       |       |       |       |       |       |       |
| Address | FD3H, FD7H, FDBH |       |       |       |       |       |       |       |

**Hex Addresses: FDC–FEF**

This address range is reserved.

## Watchdog Timer Control Registers

For more information about the Watchdog Timer control registers, see the [Watchdog Timer Control Register Definitions](#) section on page 73.

**Hex Address: FF0**

**Table 194. Watchdog Timer Control Register (WDTCTL)**

| Bit     | 7  | 6    | 5   | 4   | 3        | 2 | 1 | 0 |
|---------|--|------|-----|-----|----------|---|---|---|
| Field   | POR                                      | STOP | WDT | EXT | Reserved |   |   |   |
| RESET   | See <a href="#">Table 49</a> on page 74. |      |     |     | 0        |   |   |   |
| R/W     | R  |      |     |     |          |   |   |   |
| Address | FF0H                                     |      |     |     |          |   |   |   |

**Hex Address: FF1**

**Table 195. Watchdog Timer Reload Upper Byte Register (WDTU)**

| Bit   | 7    | 6 | 5 | 4 | 3 | 2 | 1 | 0 |
|---|------|---|---|---|---|---|---|---|
| Field   | WDTU |   |   |   |   |   |   |   |
| RESET   | 1    |   |   |   |   |   |   |   |
| R/W   | R/W* |   |   |   |   |   |   |   |
| Address   | FF1H |   |   |   |   |   |   |   |
| Note: *R/W = a read returns the current WDT count value; a write sets the appropriate reload value. |      |   |   |   |   |   |   |   |

**Hex Address: FF2**

**Table 196. Watchdog Timer Reload High Byte Register (WDTH)**

| Bit   | 7    | 6 | 5 | 4 | 3 | 2 | 1 | 0 |
|---|------|---|---|---|---|---|---|---|
| Field   | WDTH |   |   |   |   |   |   |   |
| RESET   | 1    |   |   |   |   |   |   |   |
| R/W   | R/W* |   |   |   |   |   |   |   |
| Address   | FF2H |   |   |   |   |   |   |   |
| Note: *R/W = a read returns the current WDT count value; a write sets the appropriate reload value. |      |   |   |   |   |   |   |   |

**Hex Address: FF3**

**Table 197. Watchdog Timer Reload Low Byte Register (WDTL)**

| Bit   | 7    | 6 | 5 | 4 | 3 | 2 | 1 | 0 |
|---|------|---|---|---|---|---|---|---|
| Field   | WDTL |   |   |   |   |   |   |   |
| RESET   | 1    |   |   |   |   |   |   |   |
| R/W   | R/W* |   |   |   |   |   |   |   |
| Address   | FF3H |   |   |   |   |   |   |   |
| Note: *R/W = a read returns the current WDT count value; a write sets the appropriate reload value. |      |   |   |   |   |   |   |   |

**Hex Addresses: FF4–FF7**

This address range is reserved.

## Flash Control Registers

For more information about the Flash control registers, see the [Flash Control Register Definitions](#) section on page 149.

**Hex Address: FF8**

**Table 198. Flash Control Register (FCTL)**

| Bit     | 7    | 6 | 5 | 4 | 3 | 2 | 1 | 0 |
|---------|------|---|---|---|---|---|---|---|
| Field   | FCMD |   |   |   |   |   |   |   |
| RESET   | 0    |   |   |   |   |   |   |   |
| R/W     | W    |   |   |   |   |   |   |   |
| Address | FF8H |   |   |   |   |   |   |   |

**Table 199. Flash Status Register (FSTAT)**

| Bit     | 7        | 6 | 5     | 4 | 3 | 2 | 1 | 0 |
|---------|----------|---|-------|---|---|---|---|---|
| Field   | Reserved |   | FSTAT |   |   |   |   |   |
| RESET   | 0        |   |       |   |   |   |   |   |
| R/W     | R        |   |       |   |   |   |   |   |
| Address | FF8H     |   |       |   |   |   |   |   |

**Hex Address: FF9**

**Table 200. Page Select Register (FPS)**

| Bit     | 7       | 6    | 5 | 4 | 3 | 2 | 1 | 0 |
|---------|---------|------|---|---|---|---|---|---|
| Field   | INFO_EN | PAGE |   |   |   |   |   |   |
| RESET   | 0       |      |   |   |   |   |   |   |
| R/W     | R/W     |      |   |   |   |   |   |   |
| Address | FF9H    |      |   |   |   |   |   |   |

**Table 201. Flash Sector Protect Register (FPROT)**

| Bit     | 7     | 6     | 5     | 4     | 3     | 2     | 1     | 0     |
|---------|-------|-------|-------|-------|-------|-------|-------|-------|
| Field   | SECT7 | SECT6 | SECT5 | SECT4 | SECT3 | SECT2 | SECT1 | SECT0 |
| RESET   | 0     |       |       |       |       |       |       |       |
| R/W     | R/W*  |       |       |       |       |       |       |       |
| Address | FF9H  |       |       |       |       |       |       |       |

Note: \*R/W = this register is accessible for read operations, but can only be written to 1 (via user code).

**Hex Address: FFA**

**Table 202. Flash Frequency High Byte Register (FFREQH)**

| Bit     | 7      | 6 | 5 | 4 | 3 | 2 | 1 | 0 |
|---------|--------|---|---|---|---|---|---|---|
| Field   | FFREQH |   |   |   |   |   |   |   |
| RESET   | 0      |   |   |   |   |   |   |   |
| R/W     | R/W    |   |   |   |   |   |   |   |
| Address | FFAH   |   |   |   |   |   |   |   |

**Hex Address: FFB**

**Table 203. Flash Frequency Low Byte Register (FFREQL)**

| Bit     | 7      | 6 | 5 | 4 | 3 | 2 | 1 | 0 |
|---------|--------|---|---|---|---|---|---|---|
| Field   | FFREQL |   |   |   |   |   |   |   |
| RESET   | 0      |   |   |   |   |   |   |   |
| R/W     | R/W    |   |   |   |   |   |   |   |
| Address | FFBH   |   |   |   |   |   |   |   |

**Hex Addresses: FFC–FFF**

This address range is reserved.

# Index

## Numerics

10-bit ADC 4

## A

absolute maximum ratings 176  
AC characteristics 185  
ADC 204  
    architecture 136  
    automatic power-down 137  
    block diagram 137  
    continuous conversion 138  
    control register 139  
    control register definitions 139  
    data high byte register 141  
    data low bits register 142  
    electrical characteristics and timing 190  
    operation 137  
    single-shot conversion 137  
ADCCTL register 139  
ADCDH register 141  
ADCDL register 142  
ADCX 204  
ADD 204  
additional symbols 202  
address space 14  
ADDX 204  
analog signals 11  
analog-to-digital converter (ADC) 136  
AND 207  
ANDX 207  
arithmetic instructions 204  
assembly language programming 199  
assembly language syntax 200

## B

B 202  
b 201  
baud rate generator, UART 88

BCLR 205  
binary number suffix 202  
BIT 205  
bit 201  
    clear 205  
    manipulation instructions 205  
    set 205  
    set or clear 205  
    swap 205, 208  
    test and jump 207  
    test and jump if non-zero 207  
    test and jump if zero 207  
block diagram 3  
block transfer instructions 205  
BRK 207  
BSET 205  
BSWAP 205, 208  
BTJ 207  
BTJNZ 207  
BTJZ 207

## C

CALL procedure 207  
capture mode 68  
capture/compare mode 69  
cc 201  
CCF 206  
characteristics, electrical 176  
clear 206  
clock phase (SPI) 104  
CLR 206  
COM 207  
compare 68  
compare - extended addressing 204  
compare mode 68  
compare with carry 204  
compare with carry - extended addressing 204  
complement 207  
complement carry flag 205, 206

- condition code 201
- continuous conversion (ADC) 138
- continuous mode 68
- control register definition, UART 88
- control register, I2C 131
- counter modes 68
- CP 204
- CPC 204
- CPCX 204
- CPU and peripheral overview 4
- CPU control instructions 206
- CPX 204
- Customer Feedback Form 258
- customer feedback form 224
- Customer Information 258

## D

- DA 201, 204
- data register, I2C 129
- DC characteristics 178
- debugger, on-chip 158
- DEC 204
- decimal adjust 204
- decrement 204
  - and jump non-zero 207
  - word 204
- DECW 204
- destination operand 202
- device, port availability 29
- DI 206
- direct address 201
- disable interrupts 206
- DJNZ 207
- DMA controller 5
- dst 202

## E

- EI 206
- electrical characteristics 176
  - ADC 190
  - flash memory and timing 187
  - GPIO input data sample timing 191

- watch-dog timer 188
- enable interrupt 206
- ER 201
- extended addressing register 201
- external pin reset 24
- external RC oscillator electrical characteristics 187
- eZ8 CPU features 4
- eZ8 CPU instruction classes 204
- eZ8 CPU instruction notation 201
- eZ8 CPU instruction set 199
- eZ8 CPU instruction summary 208

## F

- FCTL register 150, 246
- features, Z8 Encore! 1
- first opcode map 219
- FLAGS 202
- flags register 202
- flash
  - controller 4
    - option bit address space 155
    - option bit configuration - reset 155
    - program memory address 0001H 157
- flash memory
  - arrangement 144
  - byte programming 147
  - code protection 146
  - control register definitions 149
  - controller bypass 148
  - electrical characteristics and timing 187
  - flash control register 150, 246
  - flash status register 151
  - frequency high and low byte registers 153
  - mass erase 148
  - operation 145
  - operation timing 145
  - page erase 148
  - page select register 152
- FPS register 152
- FSTAT register 151

## G

- gated mode 69
- general-purpose I/O 29
- GPIO 4, 29
  - alternate functions 29
  - architecture 29
  - control register definitions 31
  - input data sample timing 191
  - interrupts 31
  - port A-C pull-up enable sub-registers 38
  - port A-H address registers 32
  - port A-H alternate function sub-registers 34
  - port A-H control registers 33
  - port A-H data direction sub-registers 33
  - port A-H high drive enable sub-registers 36
  - port A-H input data registers 38
  - port A-H output control sub-registers 35
  - port A-H output data registers 39
  - port A-H stop mode recovery sub-registers 37
  - port availability by device 29
  - port input timing 191
  - port output timing 192

## H

- H 202
- HALT 206
- halt mode 27, 206
- hexadecimal number prefix/suffix 202

## I

- I2C 4
  - 10-bit address read transaction 126
  - 10-bit address transaction 123
  - 10-bit addressed slave data transfer format 123
  - 10-bit receive data format 126
  - 7-bit address transaction 121
  - 7-bit address, reading a transaction 125
  - 7-bit addressed slave data transfer format 120, 121, 122
  - 7-bit receive data transfer format 125
  - baud high and low byte registers 132, 133, 135

- C status register 129, 233
- control register definitions 128
- controller 115
- controller signals 10
- interrupts 117
  - operation 116
  - SDA and SCL signals 117
  - stop and start conditions 119
- I2CBRH register 132, 133, 135, 234
- I2CBRL register 133, 234
- I2CCTL register 131, 233
- I2CDATA register 129, 233
- I2CSTAT register 129, 233
- IM 201
- immediate data 201
- immediate operand prefix 202
- INC 204
- increment 204
- increment word 204
- INCW 204
- indexed 202
- indirect address prefix 202
- indirect register 201
- indirect register pair 201
- indirect working register 201
- indirect working register pair 201
- infrared encoder/decoder (IrDA) 97
- instruction set, ez8 CPU 199
- instructions
  - ADC 204
  - ADCX 204
  - ADD 204
  - ADDX 204
  - AND 207
  - ANDX 207
  - arithmetic 204
  - BCLR 205
  - BIT 205
  - bit manipulation 205
  - block transfer 205
  - BRK 207
  - BSET 205
  - BSWAP 205, 208
  - BTJ 207

BTJNZ 207  
BTJZ 207  
CALL 207  
CCF 205, 206  
CLR 206  
COM 207  
CP 204  
CPC 204  
CPCX 204  
CPU control 206  
CPX 204  
DA 204  
DEC 204  
DECW 204  
DI 206  
DJNZ 207  
EI 206  
HALT 206  
INC 204  
INCW 204  
IRET 207  
JP 207  
LD 206  
LDC 206  
LDCI 205, 206  
LDE 206  
LDEI 205  
LDX 206  
LEA 206  
load 206  
logical 207  
MULT 205  
NOP 206  
OR 207  
ORX 207  
POP 206  
POPX 206  
program control 207  
PUSH 206  
PUSHX 206  
RCF 205, 206  
RET 207  
RL 208  
RLC 208  
rotate and shift 208  
RR 208  
RRC 208  
SBC 205  
SCF 205, 206  
SRA 208  
SRL 208  
SRP 206  
STOP 206  
SUB 205  
SUBX 205  
SWAP 208  
TCM 205  
TCMX 205  
TM 205  
TMX 205  
TRAP 207  
watch-dog timer refresh 206  
XOR 207  
XORX 207  
instructions, eZ8 classes of 204  
interrupt control register 53  
interrupt controller 5, 40  
    architecture 40  
    interrupt assertion types 43  
    interrupt vectors and priority 43  
    operation 42  
    register definitions 45  
    software interrupt assertion 44  
interrupt edge select register 52  
interrupt request 0 register 45  
interrupt request 1 register 46  
interrupt request 2 register 47  
interrupt return 207  
interrupt vector listing 40  
interrupts  
    not acknowledge 117  
    receive 117  
    SPI 108  
    transmit 117  
    UART 86  
introduction 1  
IR 201  
Ir 201

## IrDA

- architecture 97
- block diagram 97
- control register definitions 100
- operation 97
- receiving data 99
- transmitting data 98

## IRET 207

- IRQ0 enable high and low bit registers 48
- IRQ1 enable high and low bit registers 49
- IRQ2 enable high and low bit registers 51
- IRR 201
- Irr 201

## J

- JP 207
- jump, conditional, relative, and relative conditional 207

## L

- LD 206
- LDC 206
- LDCI 205, 206
- LDE 206
- LDEI 205, 206
- LDX 206
- LEA 206
- load 206
- load constant 205
- load constant to/from program memory 206
- load constant with auto-increment addresses 206
- load effective address 206
- load external data 206
- load external data to/from data memory and auto-increment addresses 205
- load external to/from data memory and auto-increment addresses 206
- load instructions 206
- load using extended addressing 206
- logical AND 207
- logical AND/extended addressing 207
- logical exclusive OR 207

logical exclusive OR/extended addressing 207

logical instructions 207

logical OR 207

logical OR/extended addressing 207

low power modes 27

## M

- master interrupt enable 42
- master-in, slave-out and-in 103
- memory
  - program 15
- MISO 103
- mode
  - capture 68
  - capture/compare 69
  - continuous 68
  - counter 68
  - gated 69
  - one-shot 68
  - PWM 68
- modes 68
- MOSI 103
- MULT 205
- multiply 205
- multiprocessor mode, UART 83

## N

- NOP (no operation) 206
- not acknowledge interrupt 117
- notation
  - b 201
  - cc 201
  - DA 201
  - ER 201
  - IM 201
  - IR 201
  - Ir 201
  - IRR 201
  - Irr 201
  - p 201
  - R 201
  - r 201

RA 202  
RR 202  
rr 202  
vector 202  
X 202  
notational shorthand 201

## O

### OCD

architecture 158  
autobaud detector/generator 161  
baud rate limits 162  
block diagram 158  
breakpoints 162  
commands 164  
control register 169  
data format 161  
DBG pin to RS-232 Interface 159  
debug mode 160  
debugger break 207  
interface 159  
serial errors 162  
status register 171  
timing 193  
OCD commands  
execute instruction (12H) 168  
read data memory (0DH) 168  
read OCD control register (05H) 166  
read OCD revision (00H) 165  
read OCD status register (02H) 165  
read program counter (07H) 166  
read program memory (0BH) 167  
read program memory CRC (0EH) 168  
read register (09H) 167  
read runtime counter (03H) 165  
step instruction (10H) 168  
stuff instruction (11H) 168  
write data memory (0CH) 167  
write OCD control register (04H) 166  
write program counter (06H) 166  
write program memory (0AH) 167  
write register (08H) 166  
on-chip debugger 5

on-chip debugger (OCD) 158  
on-chip debugger signals 12  
on-chip oscillator 172  
one-shot mode 68  
opcode map  
abbreviations 218  
cell description 218  
first 219  
second after 1FH 220  
Operational Description 77  
OR 207  
ordering information 222  
ORX 207  
oscillator signals 11

## P

Packaging 221  
part selection guide 2  
PC 202  
peripheral AC and DC electrical characteristics 186  
PHASE=0 timing (SPI) 105  
PHASE=1 timing (SPI) 106  
pin characteristics 13  
polarity 201  
POP 206  
pop using extended addressing 206  
POPX 206  
port availability, device 29  
port input timing (GPIO) 191  
port output timing, GPIO 192  
power supply signals 12  
power-down, automatic (ADC) 137  
power-on and voltage brown-out electrical characteristics and timing 186  
power-on reset (POR) 22  
program control instructions 207  
program counter 202  
program flash  
configurations 143  
program memory 15, 143  
PUSH 206  
push using extended addressing 206  
PUSHX 206

- PWM mode 68
- PxADDR register 32, 241, 242, 243
- PxCTL register 33, 241, 242, 243
  
- R**
- R 201
- r 201
- RCF 205, 206
- receive
  - 10-bit data format (I2C) 126
  - 7-bit data transfer format (I2C) 125
  - IrDA data 99
- receive interrupt 117
- receiving UART data-interrupt-driven method 82
- receiving UART data-pollled method 81
- register 112, 201, 236
  - ADC control (ADCCTL) 139
  - ADC data high byte (ADCDH) 141
  - ADC data low bits (ADC DL) 142
  - baud low and high byte (I2C) 132, 133, 135
  - baud rate high and low byte (SPI) 114
  - control (SPI) 110
  - control, I2C 131
  - data, SPI 109
  - flash control (FCTL) 150, 246
  - flash high and low byte (FFREQH and FRE-EQL) 153
  - flash page select (FPS) 152
  - flash status (FSTAT) 151
  - GPIO port A-H address (PxADDR) 32, 241, 242, 243
  - GPIO port A-H alternate function sub-registers 34
  - GPIO port A-H control address (PxCTL) 33, 241, 242, 243
  - GPIO port A-H data direction sub-registers 33
  - I2C baud rate high (I2CBRH) 132, 133, 135, 234
  - I2C control (I2CCTL) 131, 233
  - I2C data (I2CDATA) 129, 233
  - I2C status 129, 233
  - I2C status (I2CSTAT) 129, 233
  - I2Cbaud rate low (I2CBRL) 133, 234
  - mode, SPI 112
  - OCD control 169
  - OCD status 171
  - SPI baud rate high byte (SPIBRH) 114, 236
  - SPI baud rate low byte (SPIBRL) 114, 237
  - SPI control (SPICTL) 110, 235
  - SPI data (SPIDATA) 109, 235
  - SPI status (SPISTAT) 111, 235
  - status, I2C 129
  - status, SPI 111
  - UARTx baud rate high byte (UxBRH) 95, 232
  - UARTx baud rate low byte (UxBRL) 95, 232
  - UARTx Control 0 (UxCTL0) 92, 94, 231, 232
  - UARTx control 1 (UxCTL1) 93, 231
  - UARTx receive data (UxRXD) 89, 230
  - UARTx status 0 (UxSTAT0) 90, 231
  - UARTx status 1 (UxSTAT1) 91, 231
  - UARTx transmit data (UxTXD) 89, 230
  - watch-dog timer control (WDTCTL) 74, 244
  - watch-dog timer reload high byte (WDTH) 75, 245
  - watch-dog timer reload low byte (WDTL) 76, 245
  - watch-dog timer reload upper byte (WDTU) 75, 245
- register address (RA) 202
- register file 14
- register file address map 17
- register pair 202
- register pointer 202
- reset
  - and stop mode characteristics 21
  - and stop mode recovery 21
  - carry flag 205
  - controller 5
  - sources 22
- RET 207
- return 207
- RL 208
- RLC 208
- rotate and shift instructions 208
- rotate left 208
- rotate left through carry 208
- rotate right 208

rotate right through carry 208  
RP 202  
RR 202, 208  
rr 202  
RRC 208

## S

SBC 205  
SCF 205, 206  
SCK 103  
SDA and SCL (I<sup>2</sup>C) signals 117  
second opcode map after 1FH 220  
serial clock 104  
serial peripheral interface (SPI) 101  
set carry flag 205, 206  
set register pointer 206  
shift right arithmetic 208  
shift right logical 208  
signal descriptions 10  
single-shot conversion (ADC) 137  
SIO 5  
slave data transfer formats (I<sup>2</sup>C) 123  
slave select 104  
software trap 207  
source operand 202  
SP 202  
SPI  
    architecture 101  
    baud rate generator 108  
    baud rate high and low byte register 114  
    clock phase 104  
    configured as slave 102  
    control register 110  
    control register definitions 109  
    data register 109  
    error detection 107  
    interrupts 108  
    mode fault error 107  
    mode register 112  
    multi-master operation 106  
    operation 103  
    overrun error 107  
    signals 103

single master, multiple slave system 102  
single master, single slave system 101  
status register 111  
    timing, PHASE = 0 105  
    timing, PHASE=1 106  
SPI controller signals 10  
SPI mode (SPIMODE) 112, 236  
SPIBRH register 114, 236  
SPIBRL register 114, 237  
SPICTL register 110, 235  
SPIDATA register 109, 235  
SPIMODE register 112, 236  
SPISTAT register 111, 235  
SRA 208  
src 202  
SRL 208  
SRP 206  
SS, SPI signal 103  
stack pointer 202  
status register, I<sup>2</sup>C 129  
STOP 206  
stop mode 27, 206  
stop mode recovery  
    sources 25  
    using a GPIO port pin transition 26  
    using watch-dog timer time-out 26  
SUB 205  
subtract 205  
subtract - extended addressing 205  
subtract with carry 205  
subtract with carry - extended addressing 205  
SUBX 205  
SWAP 208  
swap nibbles 208  
symbols, additional 202  
system and core resets 21

## T

TCM 205  
TCMX 205  
test complement under mask 205  
test complement under mask - extended addressing 205

- test under mask 205
- test under mask - extended addressing 205
- timer signals 11
- timers 5, 54
  - architecture 55
  - block diagram 55
  - capture mode 60, 68
  - capture/compare mode 63, 69
  - compare mode 61, 68
  - continuous mode 56, 68
  - counter mode 57
  - counter modes 68
  - gated mode 62, 69
  - one-shot mode 55, 68
  - operating mode 55
  - PWM mode 58, 68
  - reading the timer count values 64
  - reload high and low byte registers 65
  - timer control register definitions 64
  - timer output signal operation 64
- timers 0-3
  - control 0 registers 67
  - control registers 68
  - high and low byte registers 64, 66
- TM 205
- TMX 205
- transmit
  - IrDA data 98
- transmit interrupt 117
- transmitting UART data-interrupt-driven method 80
- transmitting UART data-polled method 79
- TRAP 207

## U

- UART 4
  - architecture 77
  - baud rate generator 88
  - baud rates table 96
  - control register definitions 88
  - controller signals 11
  - interrupts 86
  - multiprocessor mode 83

- receiving data using interrupt-driven method 82
- receiving data using the polled method 81
- transmitting data using the interrupt-driven method 80
- transmitting data using the polled method 79
- x baud rate high and low registers 95
- x control 0 and control 1 registers 92
- x status 0 and status 1 registers 90, 91
- UxBRH register 95, 232
- UxBRL register 95, 232
- UxCTL0 register 92, 94, 231, 232
- UxCTL1 register 93, 231
- UxRXD register 89, 230
- UxSTAT0 register 90, 231
- UxSTAT1 register 91, 231
- UxTXD register 89, 230

## V

- vector 202
- voltage brown-out reset (VBR) 23

## W

- watch-dog timer
  - approximate time-out delay 71
  - CNTL 24
  - control register 73
  - electrical characteristics and timing 188
  - interrupt in normal operation 71
  - refresh 71, 206
  - reload unlock sequence 73
  - reload upper, high and low registers 75
  - reset 24
  - reset in normal operation 72
  - reset in STOP mode 71, 72
  - time-out response 71
- WDTCTL register 74, 244
- WDTH register 75, 245
- WDTL register 76, 245
- working register 201
- working register pair 202
- WTDU register 75, 245

## **X**

X 202  
XOR 207  
XORX 207

## **Z**

Z8 Encore!  
  block diagram 3  
  features 1  
  introduction 1  
  part selection guide 2

## ***Customer Support***

To share comments, get your technical questions answered or report issues you may be experiencing with our products, please visit Zilog's Technical Support page at <http://support.zilog.com>.

To learn more about this product, find additional documentation or to discover other facets about Zilog product offerings, please visit the Zilog Knowledge Base at <http://zilog.com/kb> or consider participating in the Zilog Forum at <http://zilog.com/forum>.

This publication is subject to replacement by a later edition. To determine whether a later edition exists, please visit the Zilog website at <http://www.zilog.com>.

## Looking for pricing, stock, or lifecycle information?

Click below to explore more details on WIN SOURCE:

 [View Z8F0812SJ020SG on WIN SOURCE](#)

 [Zilog Information](#)

## Optimize Your Supply Chain with WIN SOURCE Solutions

-  Global Sourcing Solution
-  Obsolete Management
-  Cost Control Management
-  Shortage Management
-  Alternative Solution
-  Excess Inventory Management